



US00D567021S

(12) **United States Design Patent**
Bach et al.

(10) **Patent No.:** **US D567,021 S**
(45) **Date of Patent:** **** Apr. 22, 2008**

(54) **CAPSULE FOR BEVERAGE MAKING MACHINE**

(75) Inventors: **Carlo Bach**, Enemonzo (IT); **Maurizio Di Robilant**, Milan (IT); **Giuliano Dell'Orto**, Milan (IT)

(73) Assignee: **Illycaffè' S.p.A.** (IT)

(**) Term: **14 Years**

(21) Appl. No.: **29/271,887**

(22) Filed: **Jan. 29, 2007**

(30) **Foreign Application Priority Data**

Jul. 28, 2006 (EP) 000567938

(51) **LOC (8) Cl.** **07-01**

(52) **U.S. Cl.** **D7/400; D7/399; D7/397; D7/387**

(58) **Field of Classification Search** D7/387, D7/397, 399-401, 500, 503, 523, 524, 538, D7/543, 557, 585, 589, 590, 600-602, 612, D7/615, 630, 635, 647, 666, 667, 687, 700, D7/317, 318; D9/428, 429, 297, 317, 283, D9/522; D23/200, 207, 209; 99/275, 279, 99/318, 433, 321-323, 495, 499; 4/289; 7/110; 137/142, 269, 544; 141/84, 331; 210/250, 477, 266, 282, 289, 295, 300, 311, 210/348, 419, 472, 473, 238; 220/676, 913
See application file for complete search history.

(56) **References Cited**

U.S. PATENT DOCUMENTS

5,108,768 A * 4/1992 So 426/77

D448,974 S * 10/2001 Hydak et al. D7/397
6,810,788 B2 * 11/2004 Hale 99/295
D513,152 S * 12/2005 Cahen D7/400
7,018,761 B2 * 3/2006 Yamanouchi et al. 430/108.4
D539,643 S * 4/2007 Abel D9/424
D546,412 S * 7/2007 Kennedy et al. D23/209
2004/0178130 A1 * 9/2004 Diehl et al. 210/184
2007/0175335 A1 * 8/2007 Liverani et al. 99/279

* cited by examiner

Primary Examiner—Philip S. Hyder

Assistant Examiner—Cynthia Underwood

(74) *Attorney, Agent, or Firm*—Cantor Colburn LLP

(57) **CLAIM**

The ornamental design for the “capsule for beverage making machine”, as shown and described.

DESCRIPTION

FIG. 1 is a perspective view of the “capsule for beverage making machine” taken from above, showing our new design;

FIG. 2 is a perspective view thereof, taken from below;

FIG. 3 is a front view thereof;

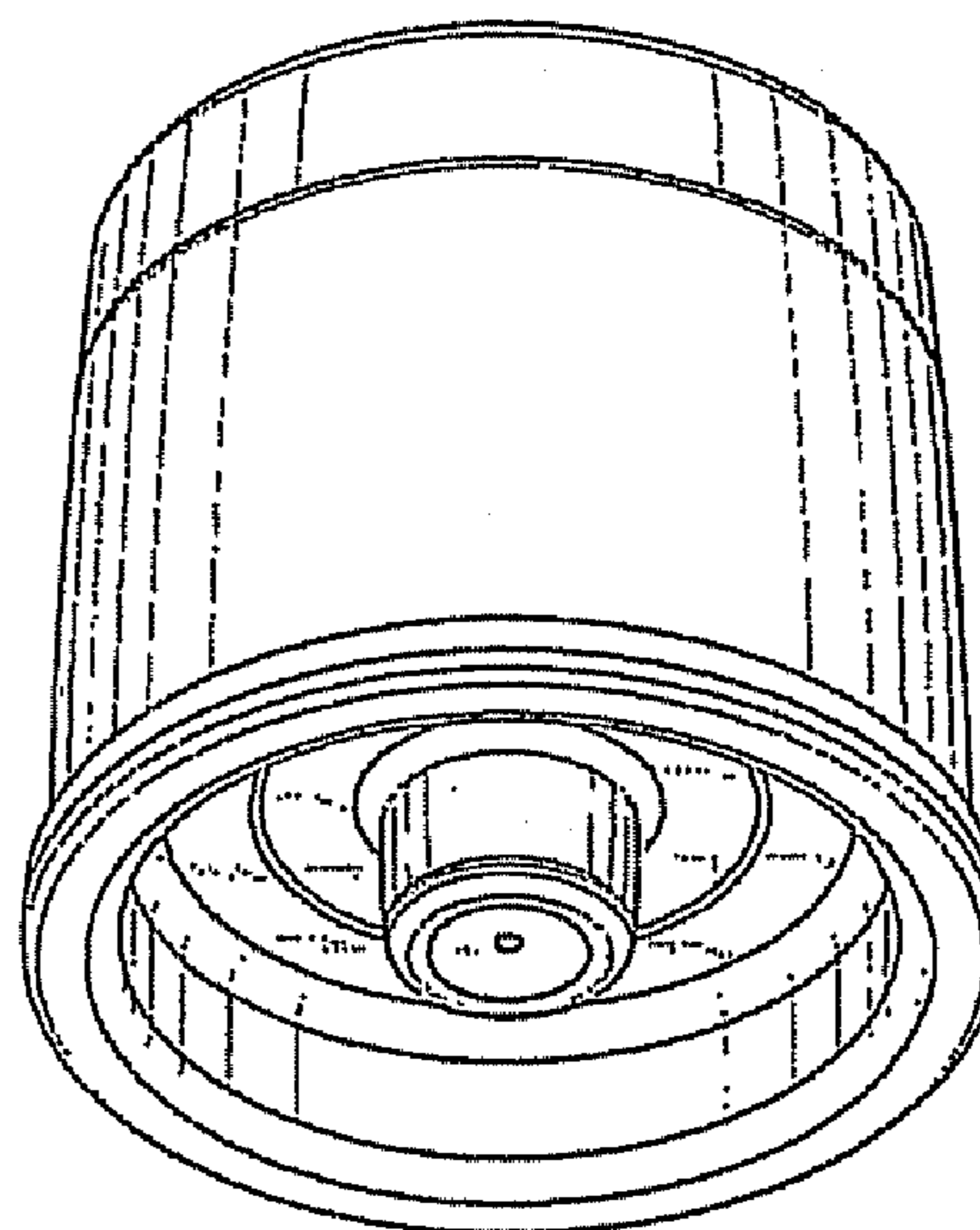
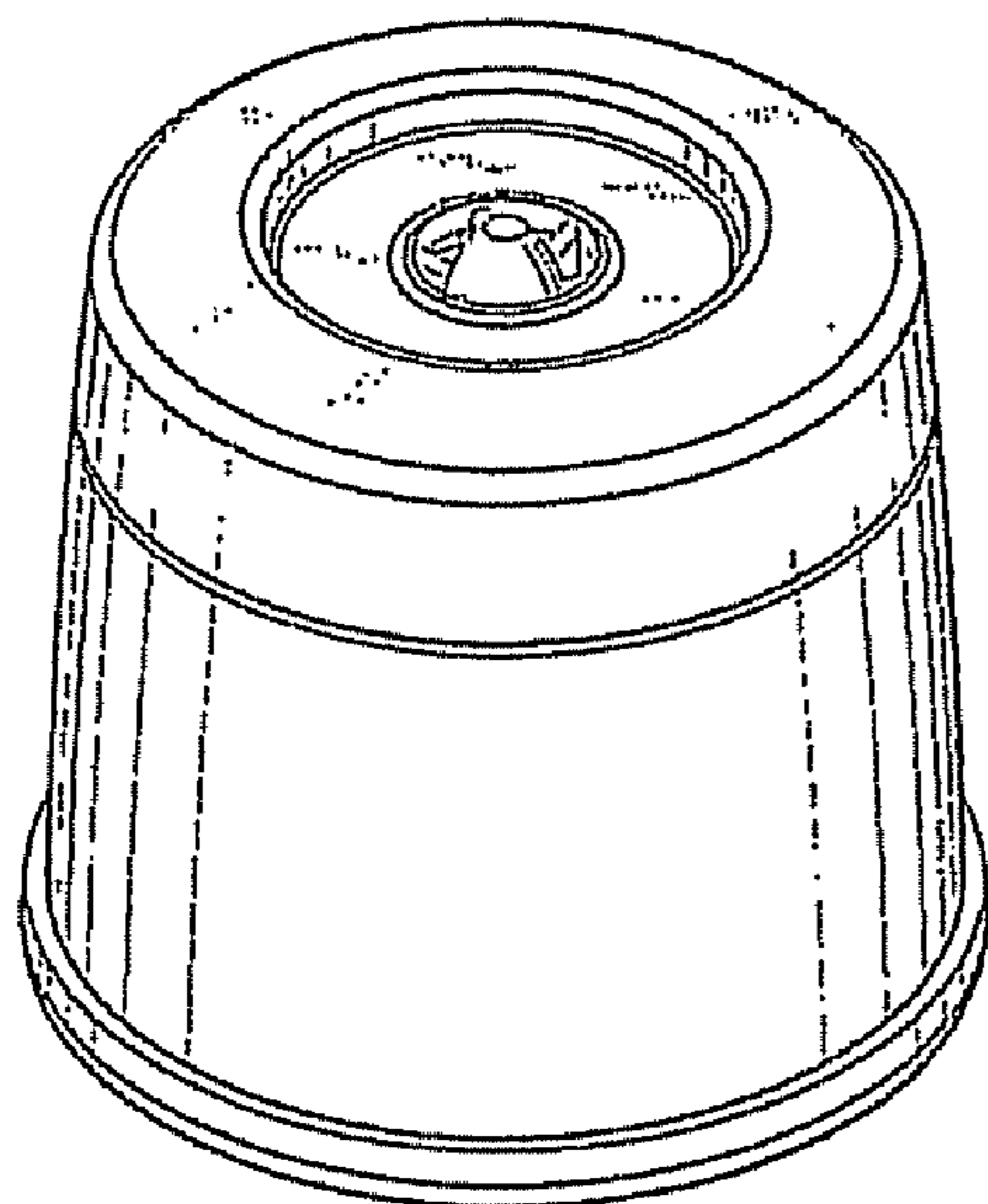
FIG. 4 is a side view thereof;

FIG. 5 is a rear view thereof;

FIG. 6 is a plan view thereof, taken from above; and,

FIG. 7 is a plan view thereof, taken from below.

1 Claim, 2 Drawing Sheets



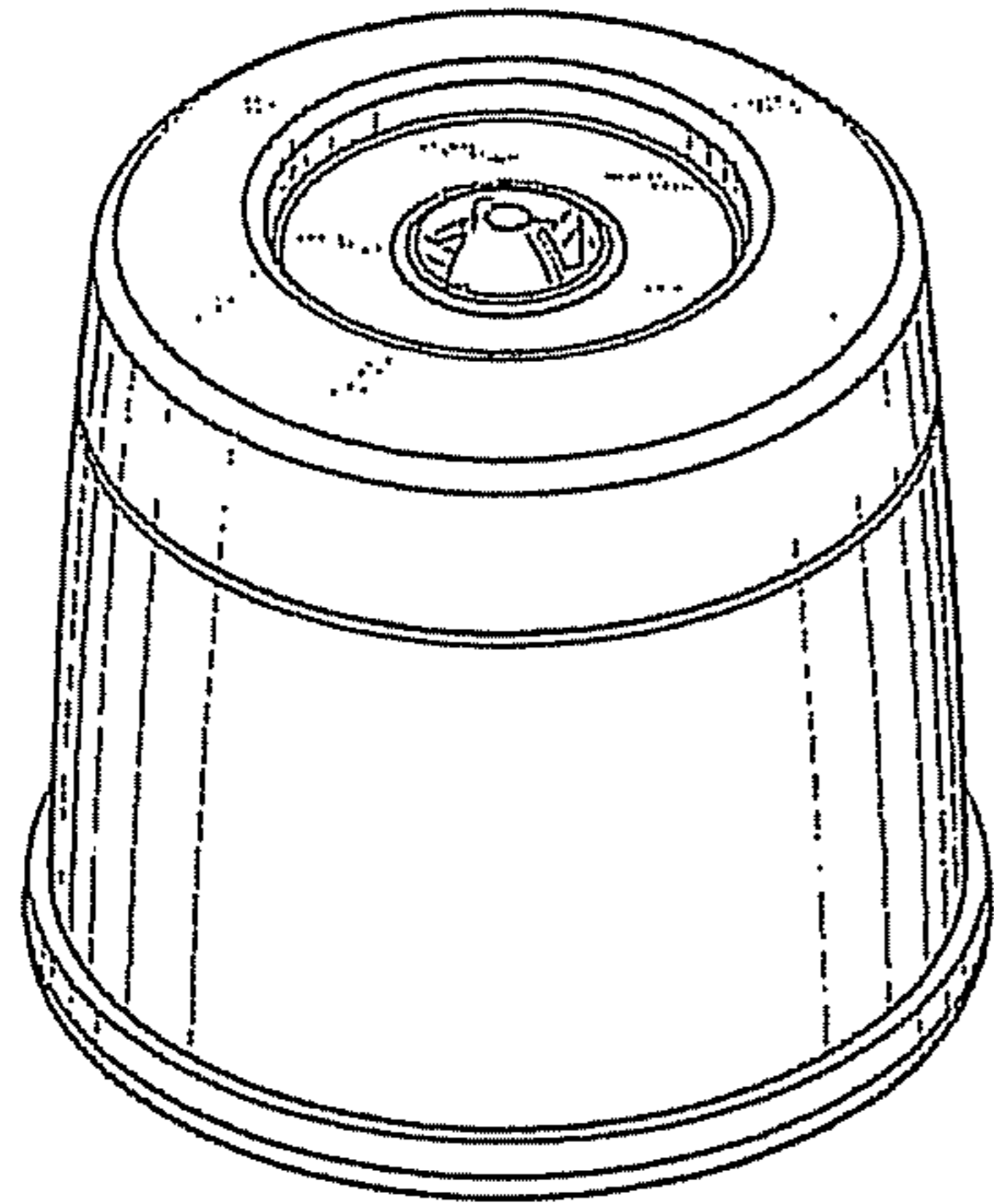


Fig. 1

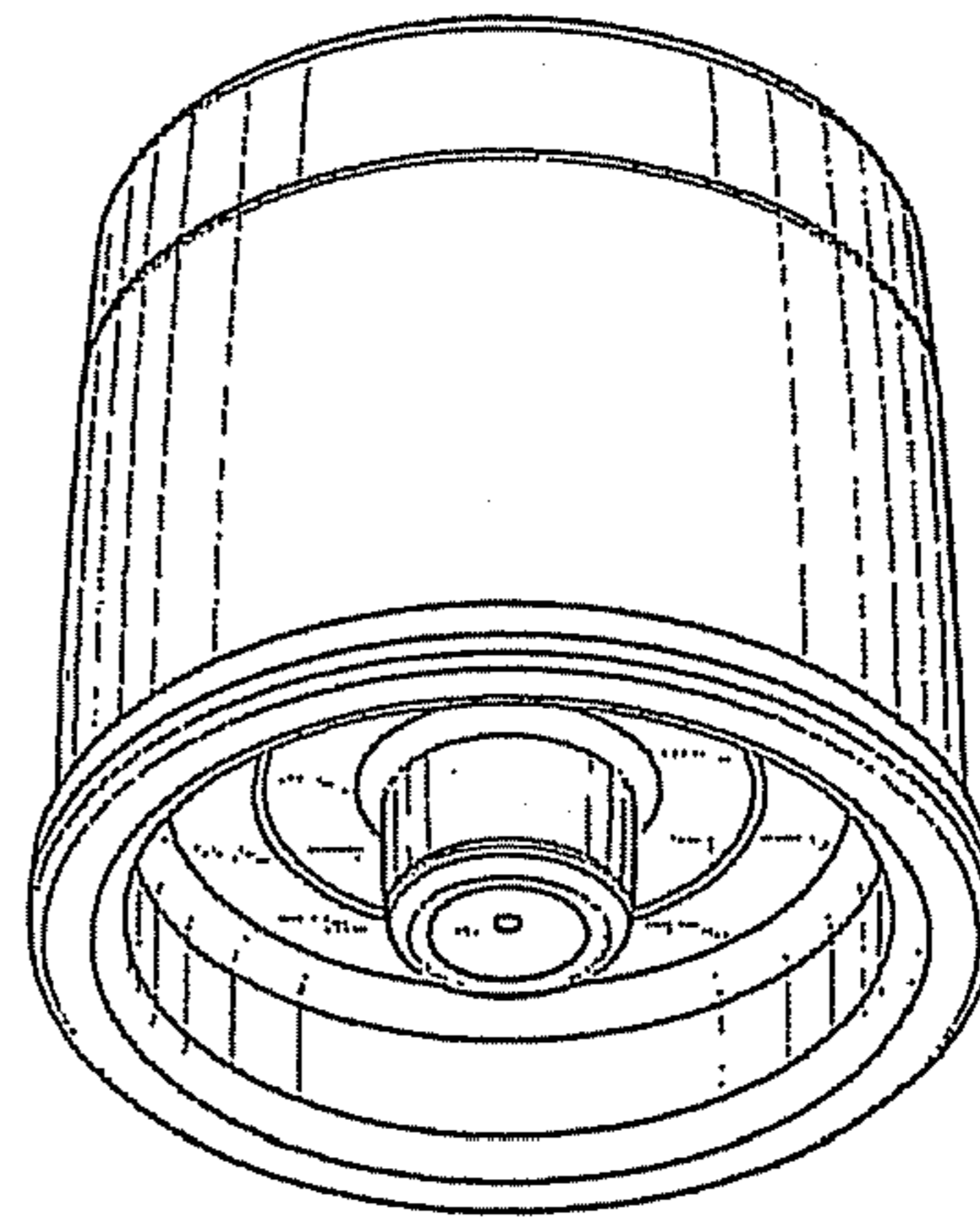


Fig. 2

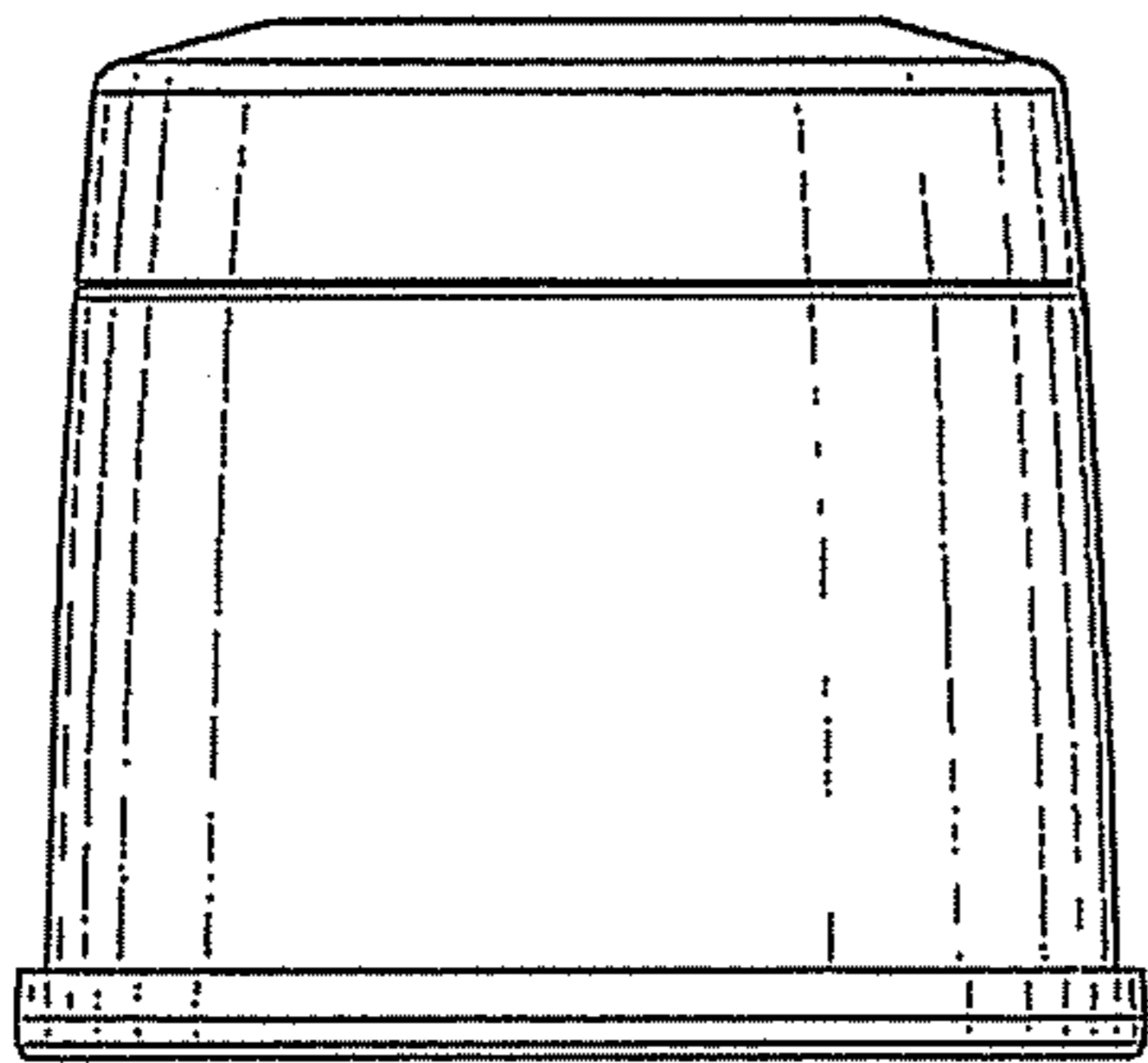


Fig. 3

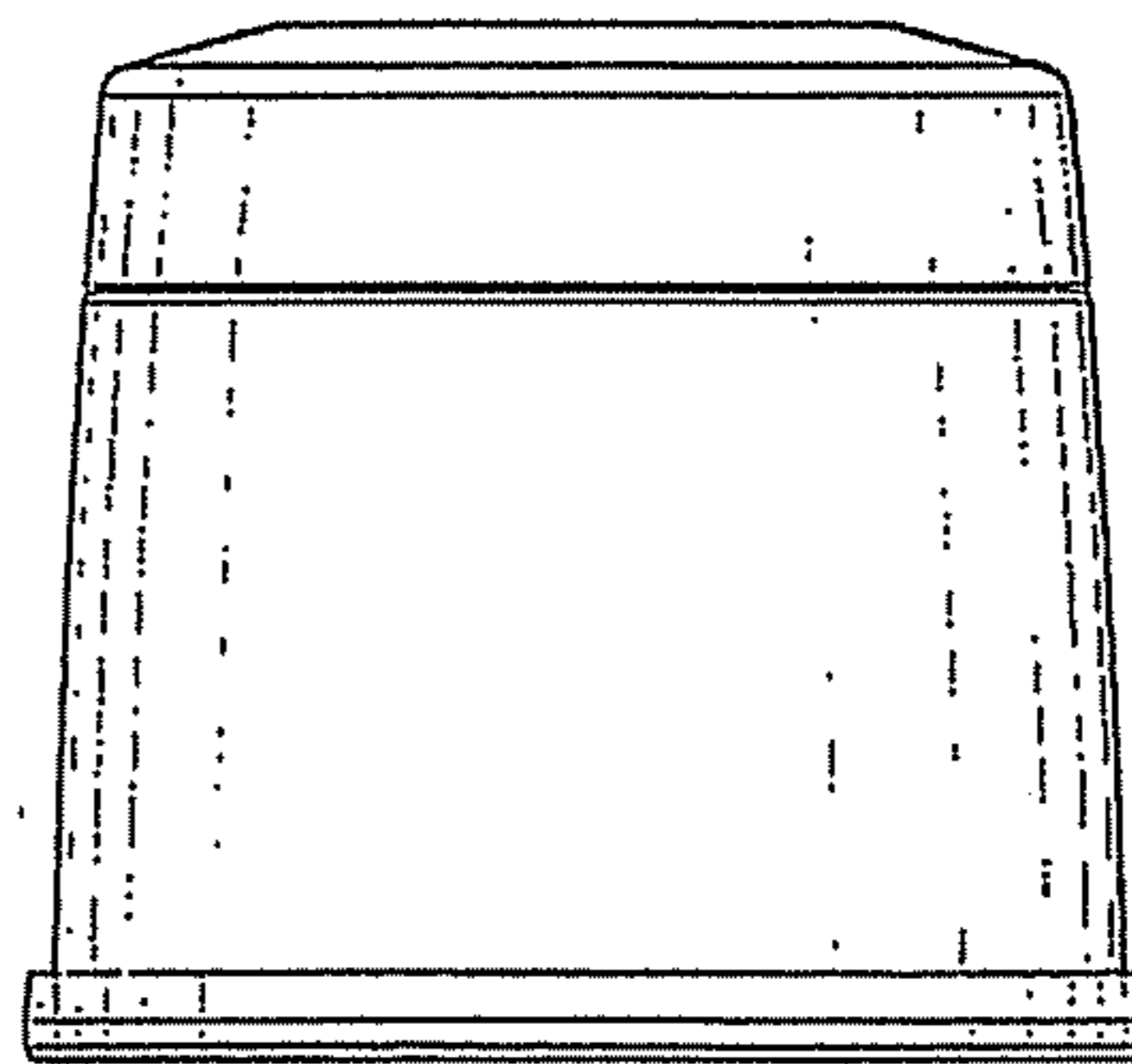


Fig. 4

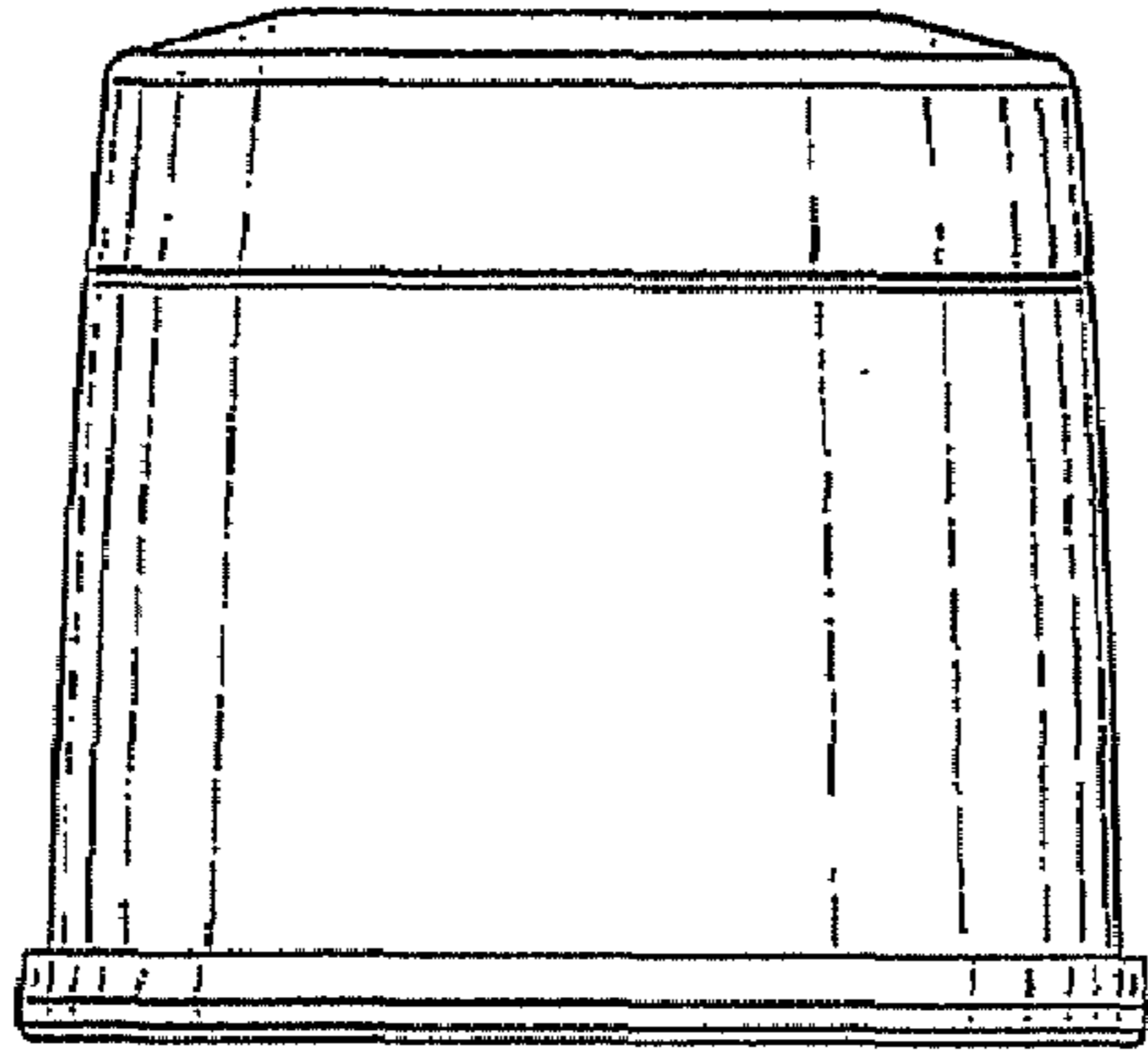


Fig. 5

Fig. 6

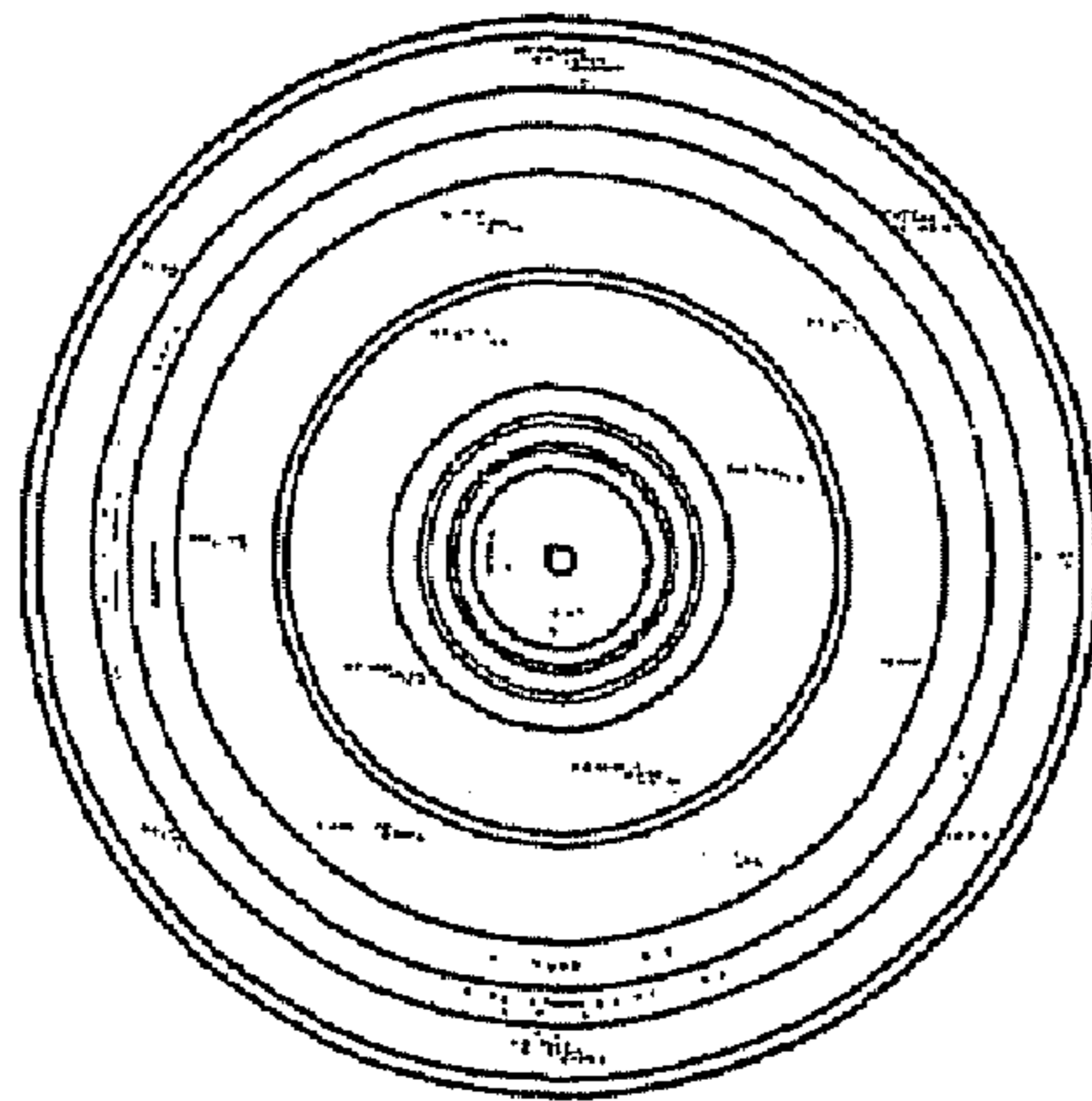
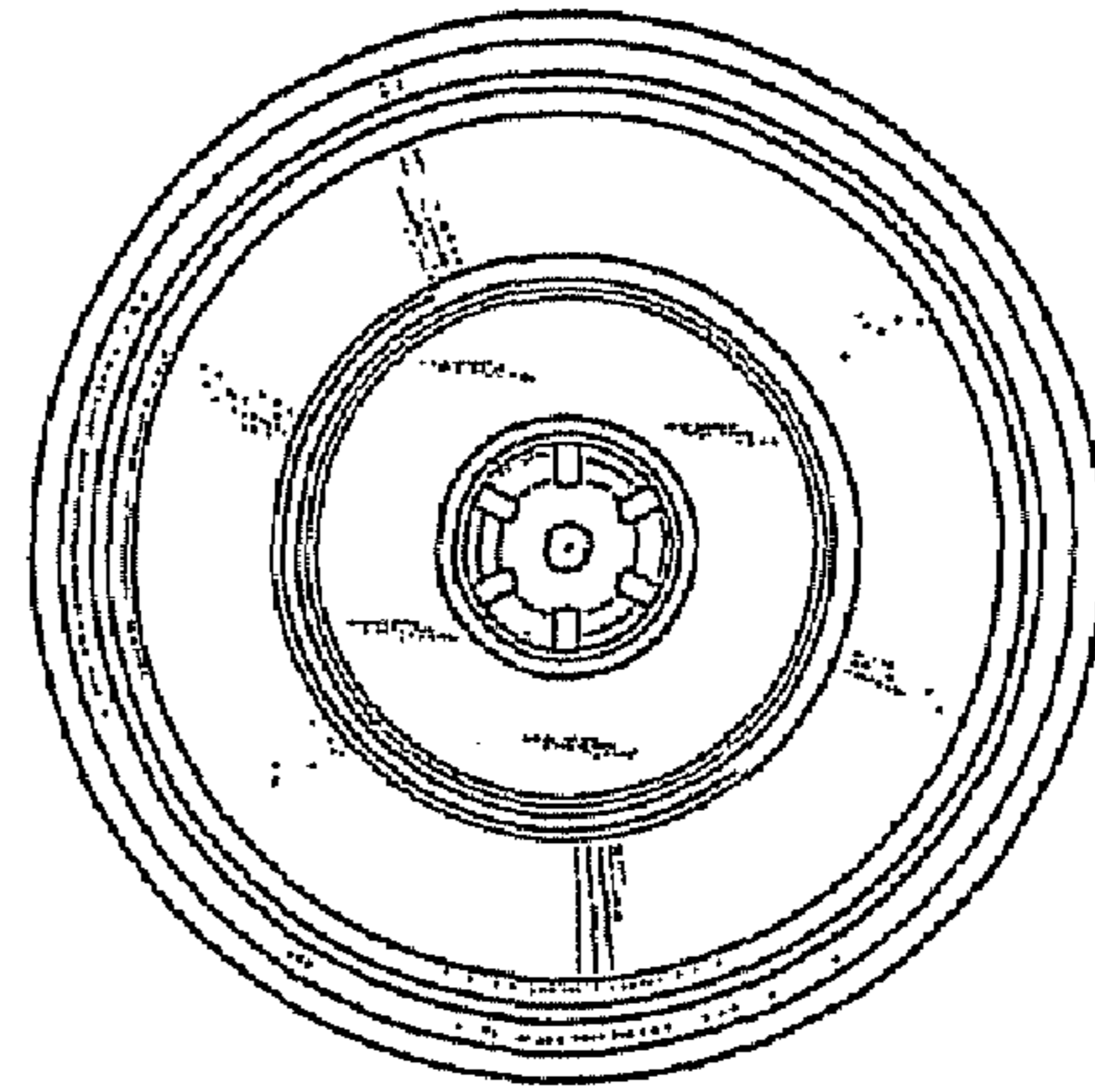


Fig. 7