



US00D567020S

(12) **United States Design Patent**
Bodum

(10) **Patent No.:** **US D567,020 S**

(45) **Date of Patent:** **** Apr. 22, 2008**

(54) **FILTER INCLUDING RIM**

(75) Inventor: **Jørgen Bodum**, St. Niklausen (CH)

(73) Assignee: **Pi-Design AG**, Triengen (CH)

(**) Term: **14 Years**

(21) Appl. No.: **29/263,288**

(22) Filed: **Jul. 20, 2006**

(30) **Foreign Application Priority Data**

Jan. 20, 2006 (DK) DA 2006 00023

(51) **LOC (8) Cl.** **07-01**

(52) **U.S. Cl.** **D7/400; D7/399; D7/387**

(58) **Field of Classification Search** D7/387,
D7/397, 399, 400, 401, 503, 523, 524, 557,
D7/589, 590, 601, 602, 630, 635, 647, 667;
D9/429; D23/200, 207, 209; 4/289; 141/331;
210/282, 289, 295, 300, 311, 348, 419, 473,
210/477; 99/275, 279, 433, 495; 220/676,
220/913

See application file for complete search history.

(56) **References Cited**

U.S. PATENT DOCUMENTS

394,213 A * 12/1888 Scannell 4/289
520,168 A * 5/1894 Postlewaite 210/497.01
545,662 A * 9/1895 Stewart 220/300
2,505,305 A * 4/1950 Schaefer 4/289
D246,109 S * 10/1977 Rosaen D23/209
D396,603 S * 8/1998 Gasser D7/400

D447,911 S * 9/2001 Jorgensen D7/400
6,283,013 B1 * 9/2001 Romandy et al. 99/322
D450,106 S * 11/2001 Herr D23/261
D473,029 S * 4/2003 Shilling et al. D34/6
D516,766 S * 3/2006 Daams D34/1
D527,223 S * 8/2006 Thun D7/524
2007/0101870 A1 * 5/2007 Liu et al. 99/495

* cited by examiner

Primary Examiner—Philip S. Hyder

Assistant Examiner—Cynthia Underwood

(74) *Attorney, Agent, or Firm*—Cowan, Liebowitz & Latman, PC

(57) **CLAIM**

The ornamental design for a filter including rim, as shown and described.

DESCRIPTION

FIG. 1 is a perspective view of the filter including rim showing my design thereof;

FIG. 2 is a front view thereof;

FIG. 3 is a back view thereof;

FIG. 4 is a left side view thereof;

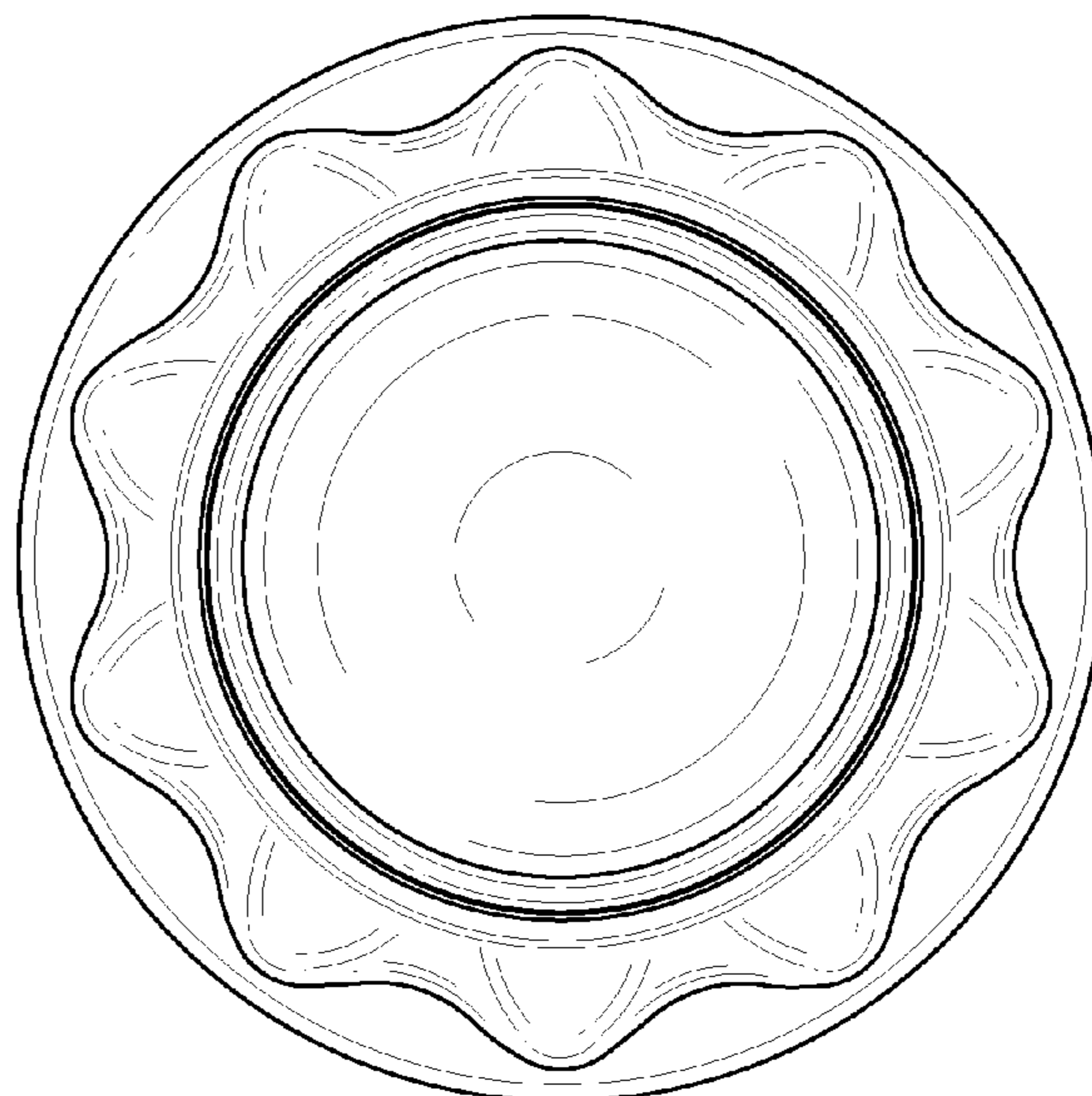
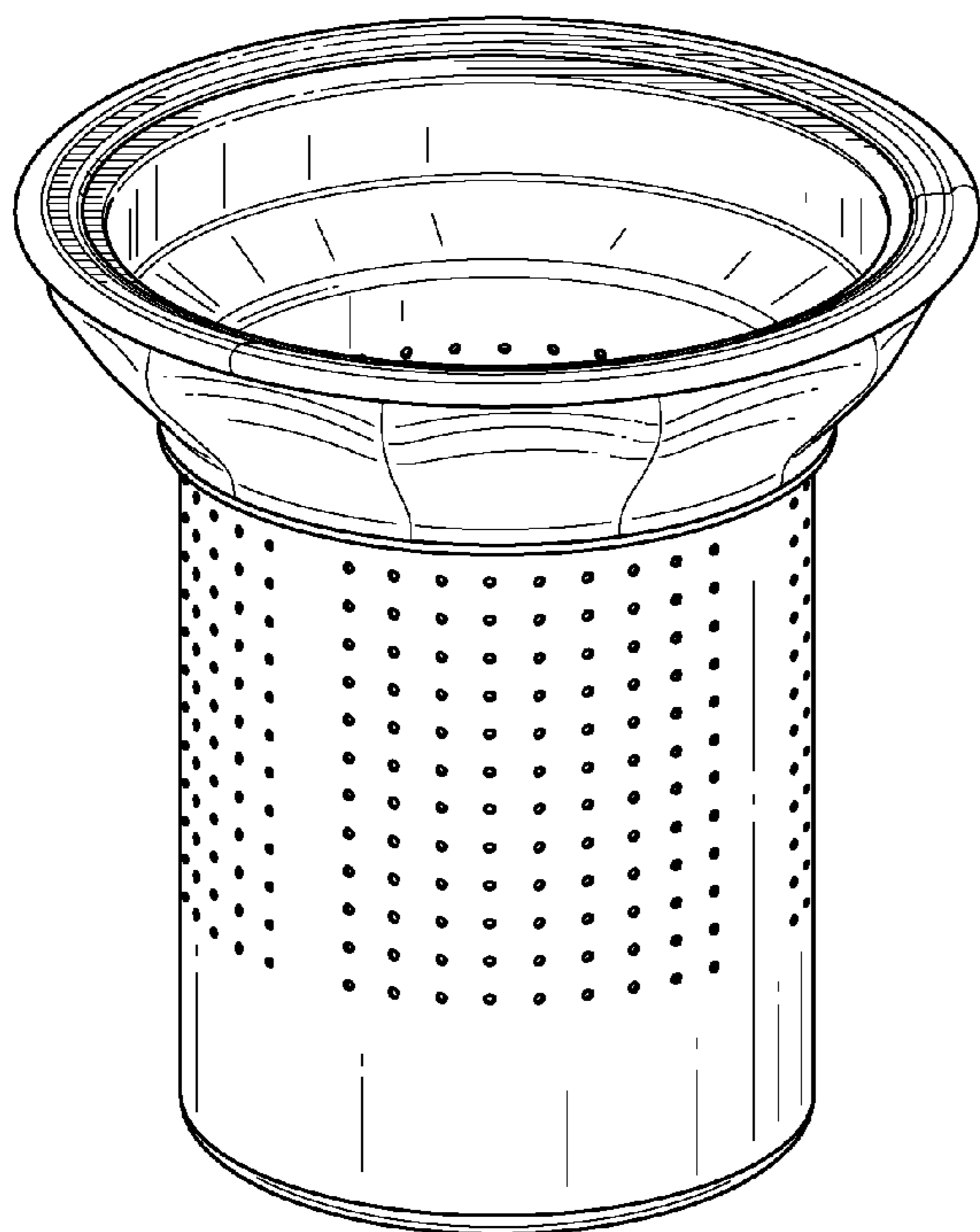
FIG. 5 is a right side view thereof;

FIG. 6 is a top view thereof;

FIG. 7 is a bottom view thereof; and,

FIG. 8 is a cross sectional view thereof taken through section 8—8 of FIG. 6.

1 Claim, 8 Drawing Sheets



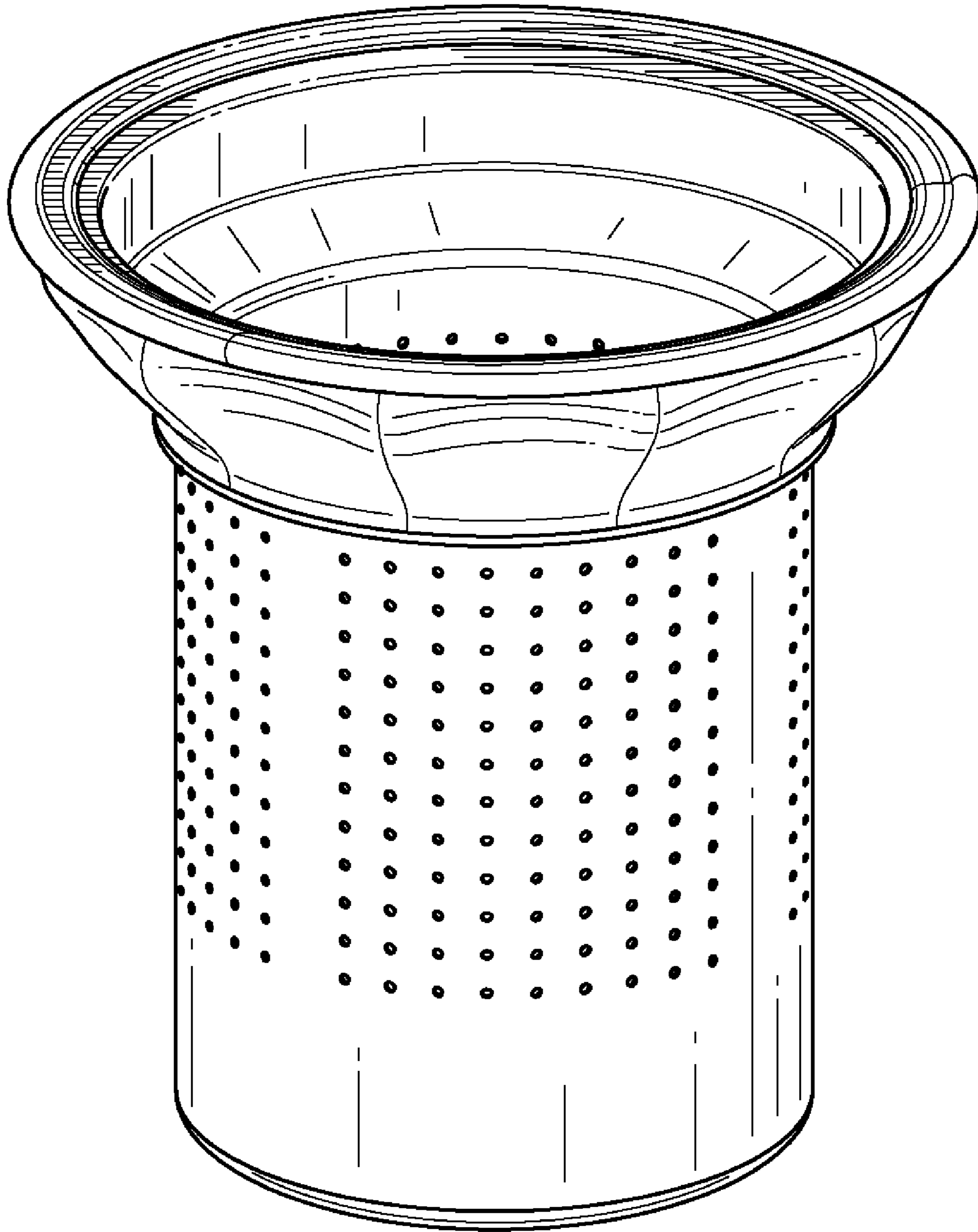


FIG. 1

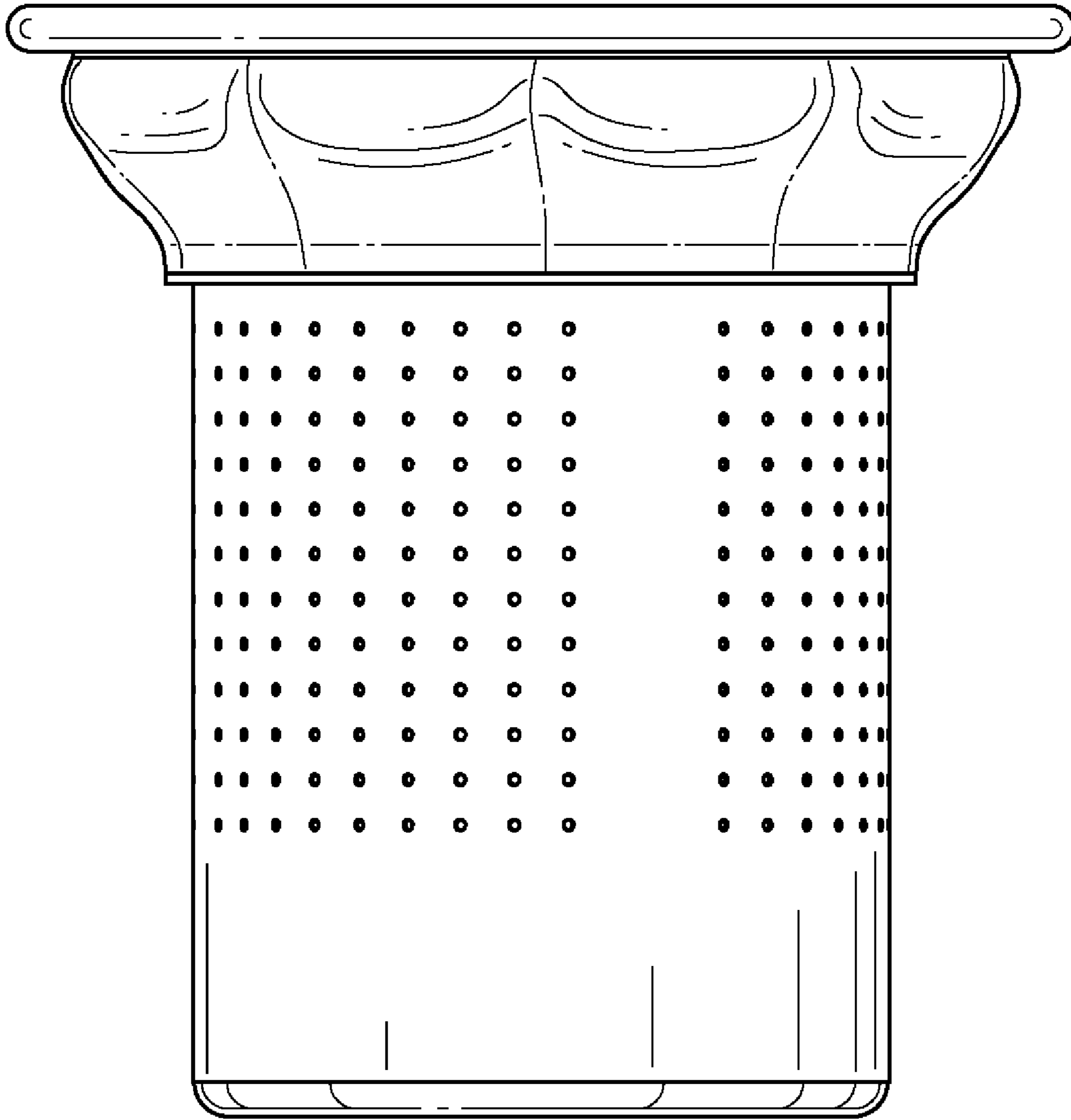


FIG. 2

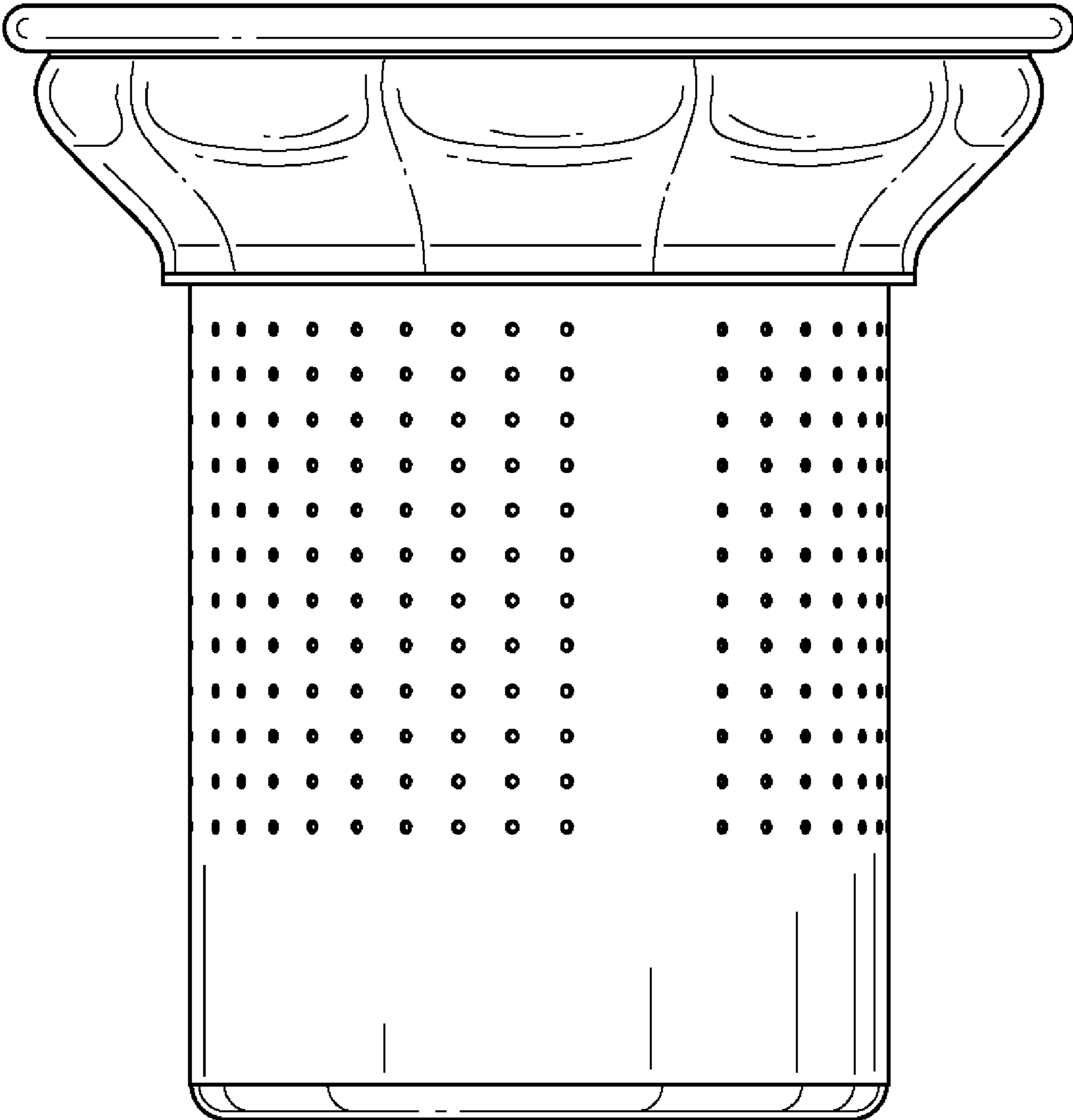


FIG. 3

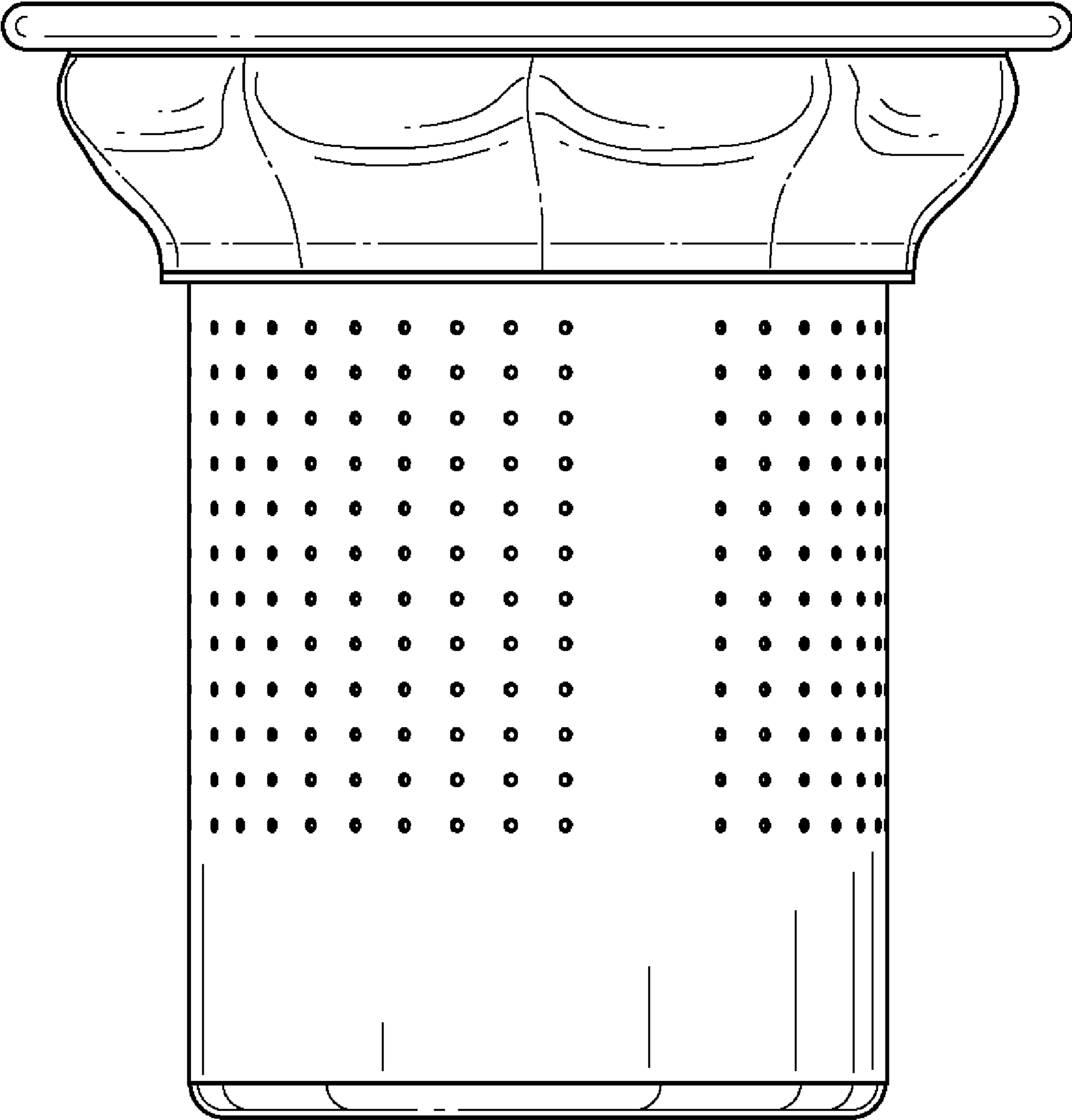


FIG. 4

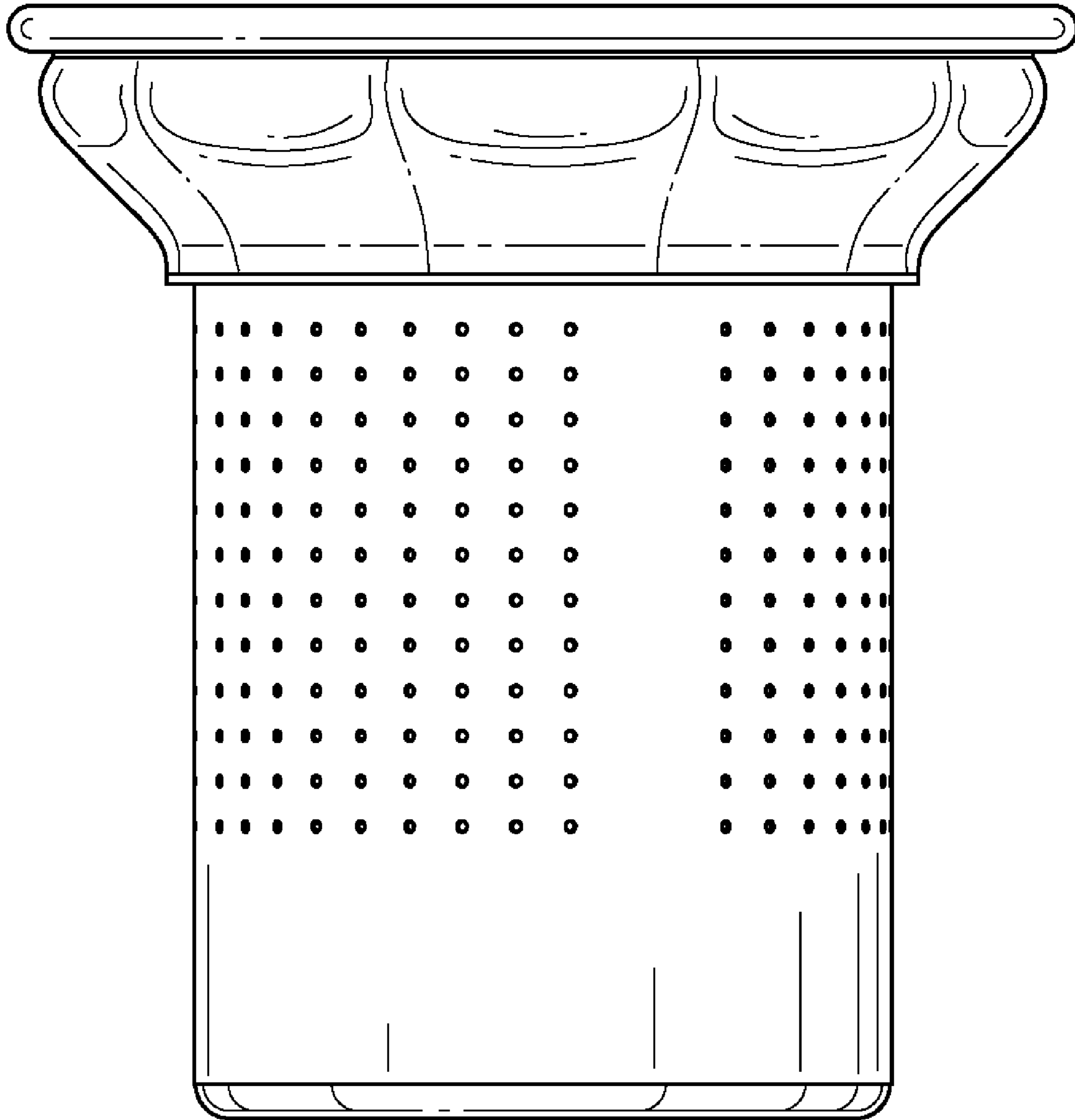


FIG. 5

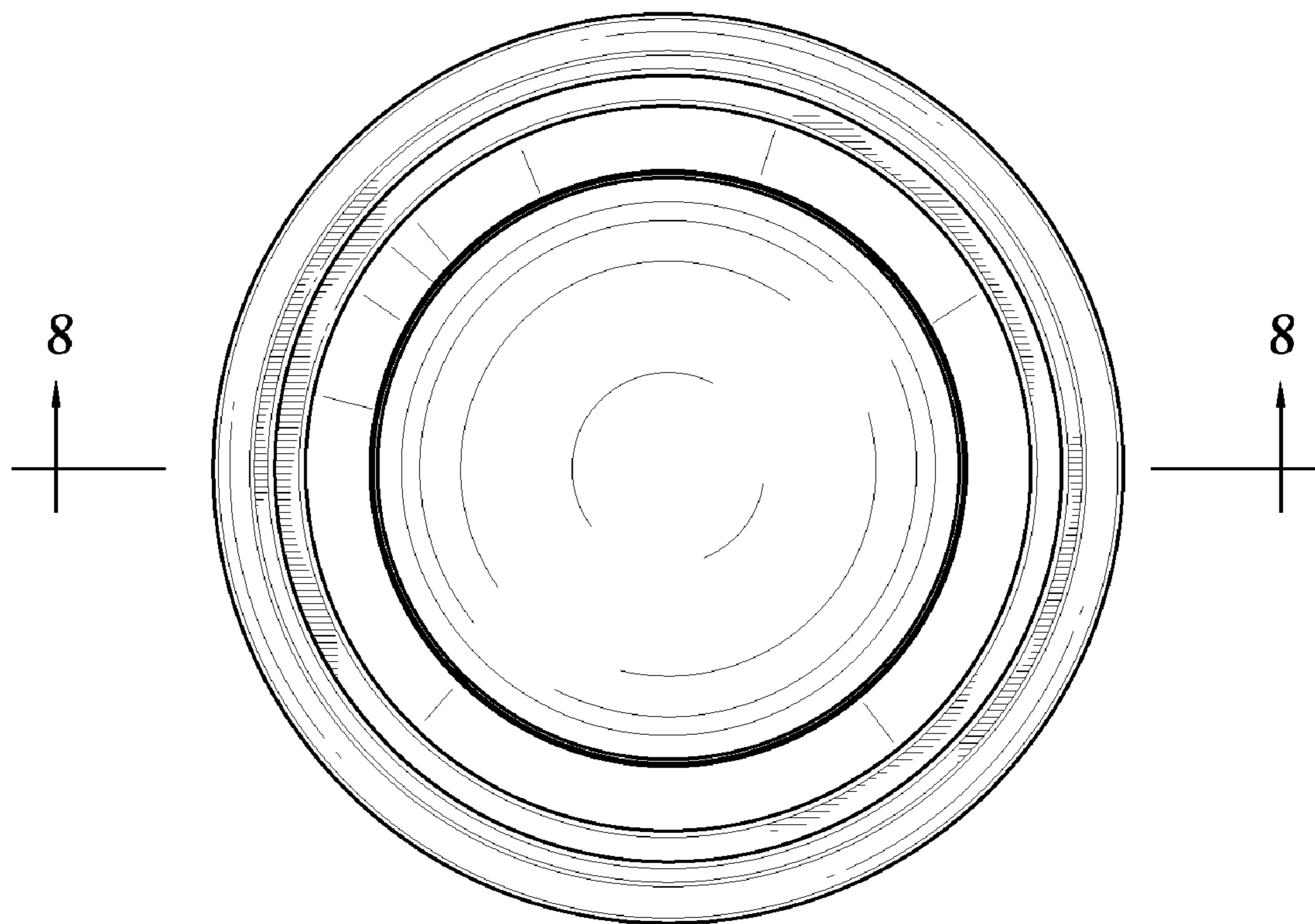


FIG. 6

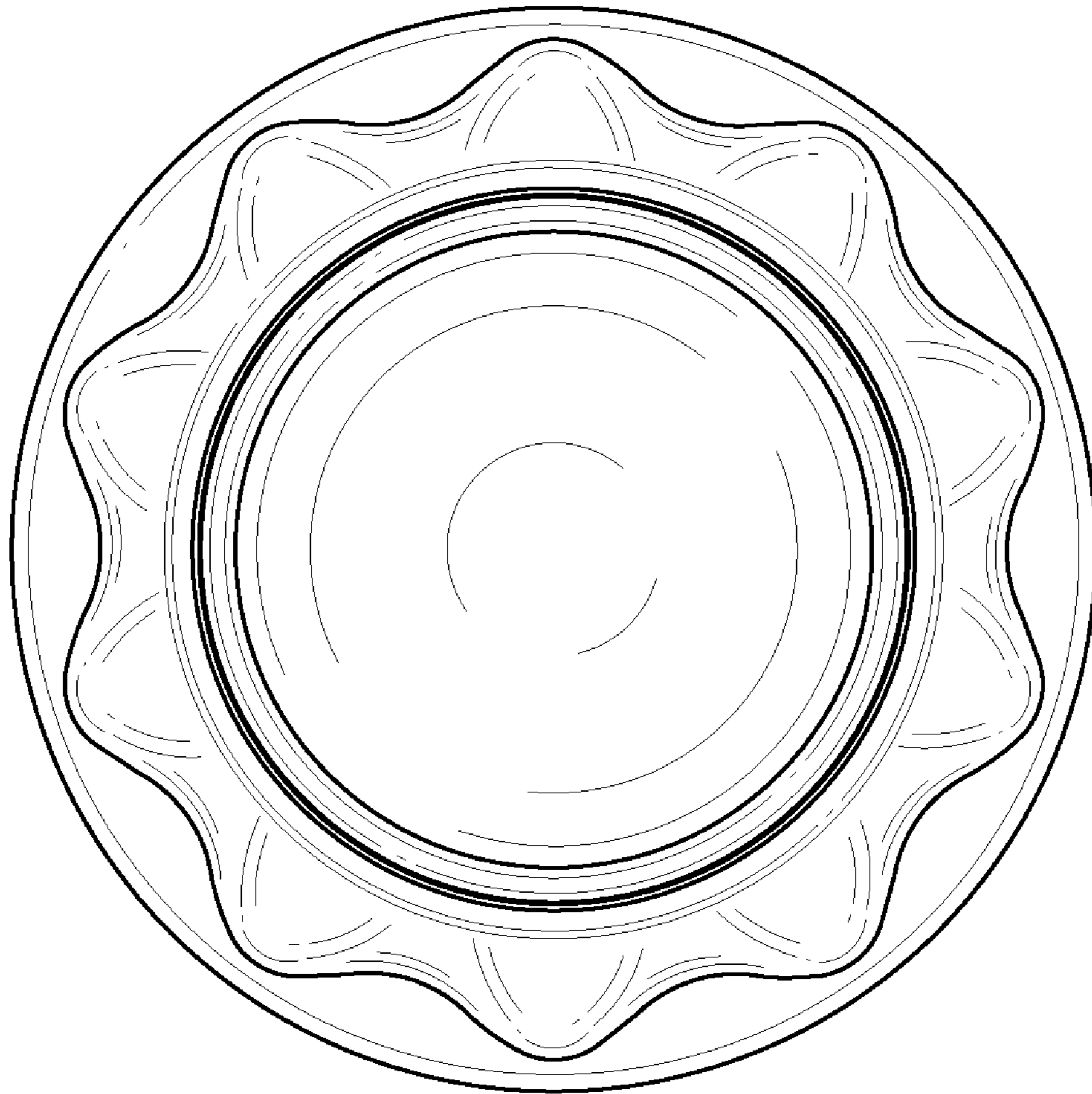


FIG. 7

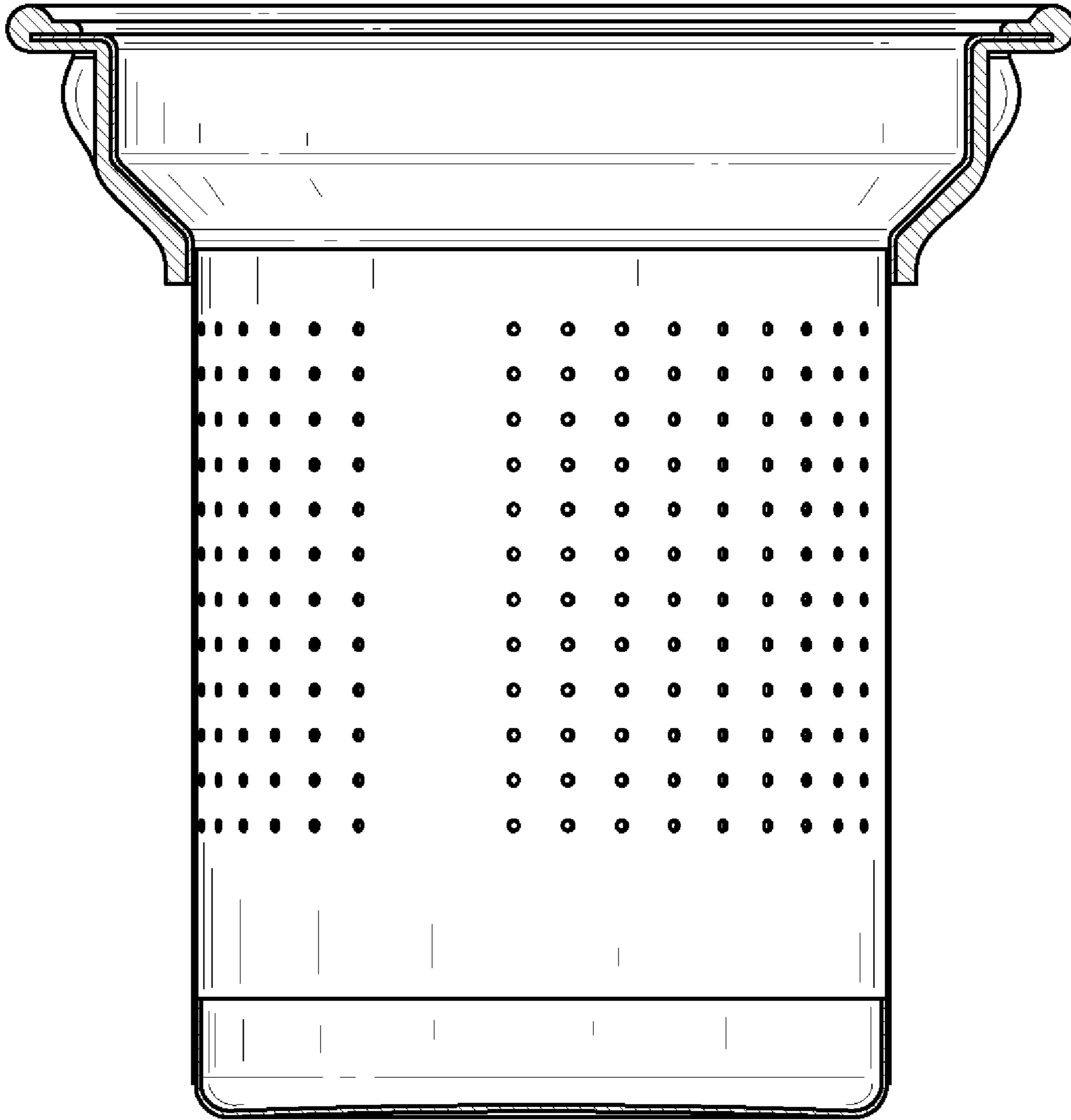


FIG. 8