



US00D567017S

(12) **United States Design Patent** (10) **Patent No.:** **US D567,017 S**
Garman et al. (45) **Date of Patent:** **** Apr. 22, 2008**

(54) **FOOD PROCESSOR**

(75) Inventors: **Michael Garman**, Stafford, VA (US);
George William Stamper, III, Quinton,
VA (US); **Larry Clapp**, Chesterfield,
VA (US)

(73) Assignee: **Hamilton Beach Brands, Inc.**, Glen
Allen, VA (US)

(**) Term: **14 Years**

(21) Appl. No.: **29/255,544**

(22) Filed: **Mar. 9, 2006**

(51) **LOC (8) Cl.** **31-00**

(52) **U.S. Cl.** **D7/384**

(58) **Field of Classification Search** D7/376-386,
D7/402, 412-414, 665, 693; D14/426; 99/492,
99/509-511; 241/166-169.1, 272-278.2,
241/285.1-285.3, 291, 292.1; 366/64-67,
366/98, 197-221, 241-254, 279-292, 341-343,
366/314

See application file for complete search history.

(56) **References Cited**

U.S. PATENT DOCUMENTS

D222,731 S * 12/1971 Gottlieb D7/402
D244,416 S * 5/1977 Zysset D7/693
4,196,660 A 4/1980 Steinberg
4,487,509 A 12/1984 Boyce
4,708,487 A 11/1987 Marshall
D320,721 S 10/1991 Machuran
D331,170 S 11/1992 Greiner
D361,694 S 8/1995 Wong
D369,944 S 5/1996 Cartellone
D372,397 S 8/1996 Littmann et al.
D378,182 S * 2/1997 Wong D7/693
D380,943 S * 7/1997 Wong D7/693
5,735,193 A 4/1998 Chang
D396,992 S 8/1998 Lallemant
D400,050 S 10/1998 Littmann
D404,253 S 1/1999 Littmann
D413,761 S 9/1999 Conran et al.

D414,384 S * 9/1999 Schulein D7/693
D415,938 S 11/1999 Blaise
D437,730 S 2/2001 Littmann
D447,381 S 9/2001 Littmann
D463,959 S * 10/2002 Weibel D7/693
D464,853 S * 10/2002 Klamer D7/693
D469,303 S 1/2003 Au
D474,369 S 5/2003 Benzon et al.
D481,271 S * 10/2003 Herren D7/693
6,676,051 B2 1/2004 Rebordosa et al.
D489,585 S * 5/2004 Wong D7/693
6,748,853 B1 6/2004 Brady et al.
D511,434 S * 11/2005 Feil D7/384
D515,883 S * 2/2006 Greiner D7/693
D553,133 S * 10/2007 Yu D14/426
2003/0071150 A1 4/2003 Ruttimann
2004/0149843 A1 * 8/2004 Tang 241/272

* cited by examiner

Primary Examiner—Caron D. Veynar

Assistant Examiner—Ricky Pham

(74) *Attorney, Agent, or Firm*—Panitch Schwarze Belisario
& Nadel LLP

(57) **CLAIM**

The ornamental design for a food processor, as shown and described.

DESCRIPTION

FIG. 1 is a top perspective view of a food processor in accordance with our new design;

FIG. 2 is a front elevational view thereof;

FIG. 3 is a rear elevational view thereof;

FIG. 4 is a left-side elevational view thereof;

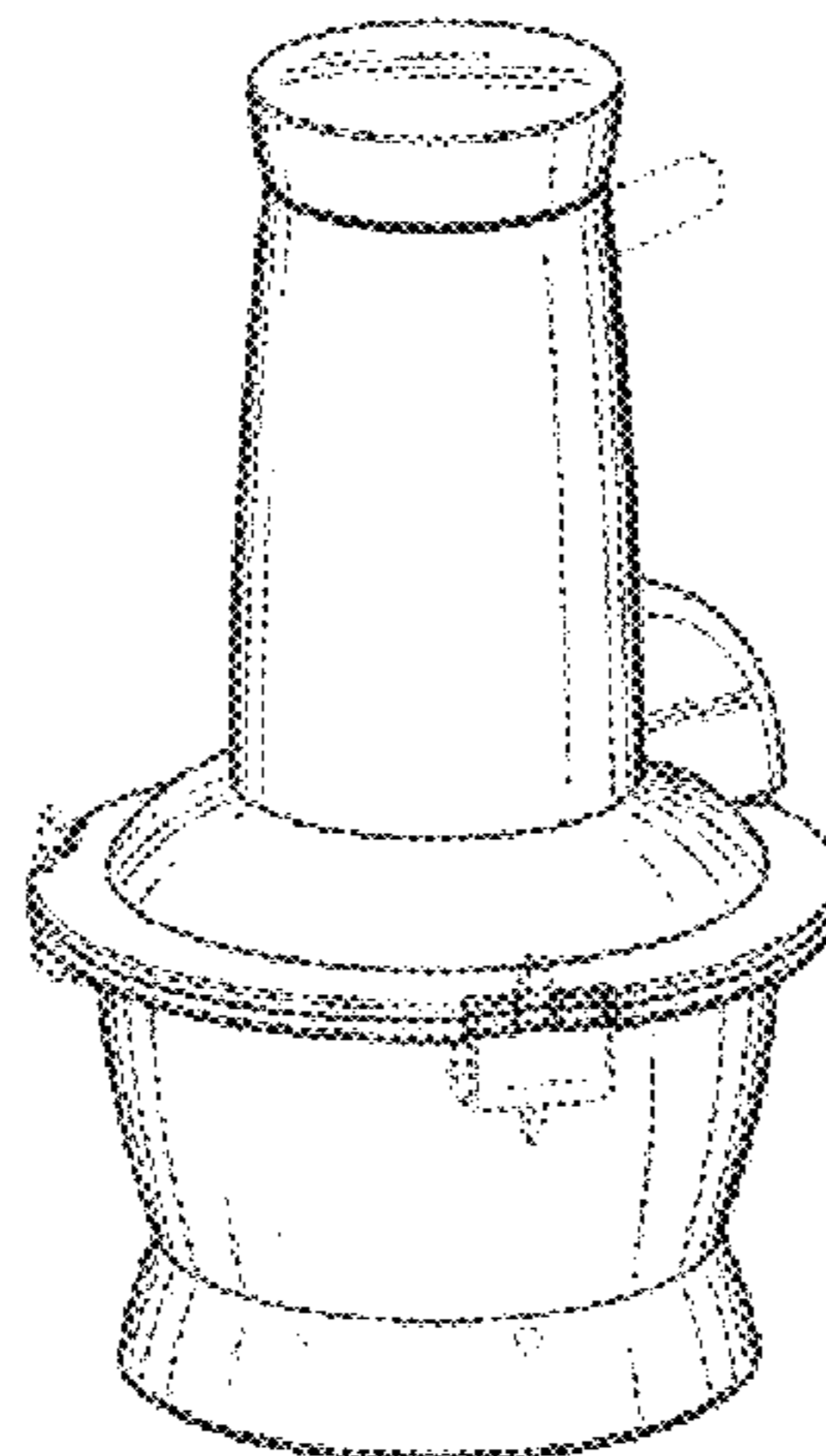
FIG. 5 is a right-side elevational view thereof;

FIG. 6 is a bottom plan view thereof; and,

FIG. 7 is a top plan view thereof.

The broken lines in the figures are for illustrative purposes only and form no part of the claimed design.

1 Claim, 4 Drawing Sheets



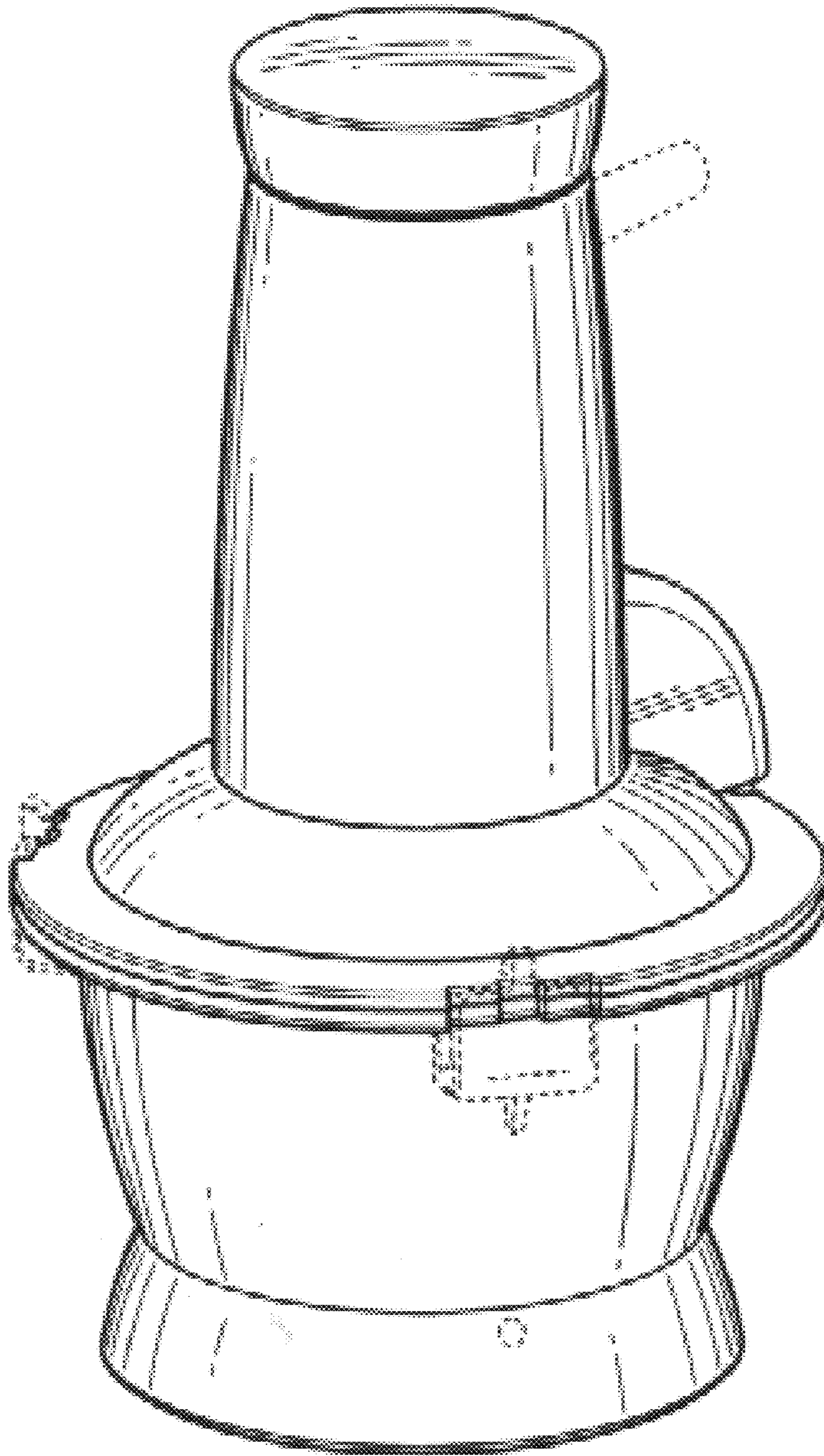


FIG. 1

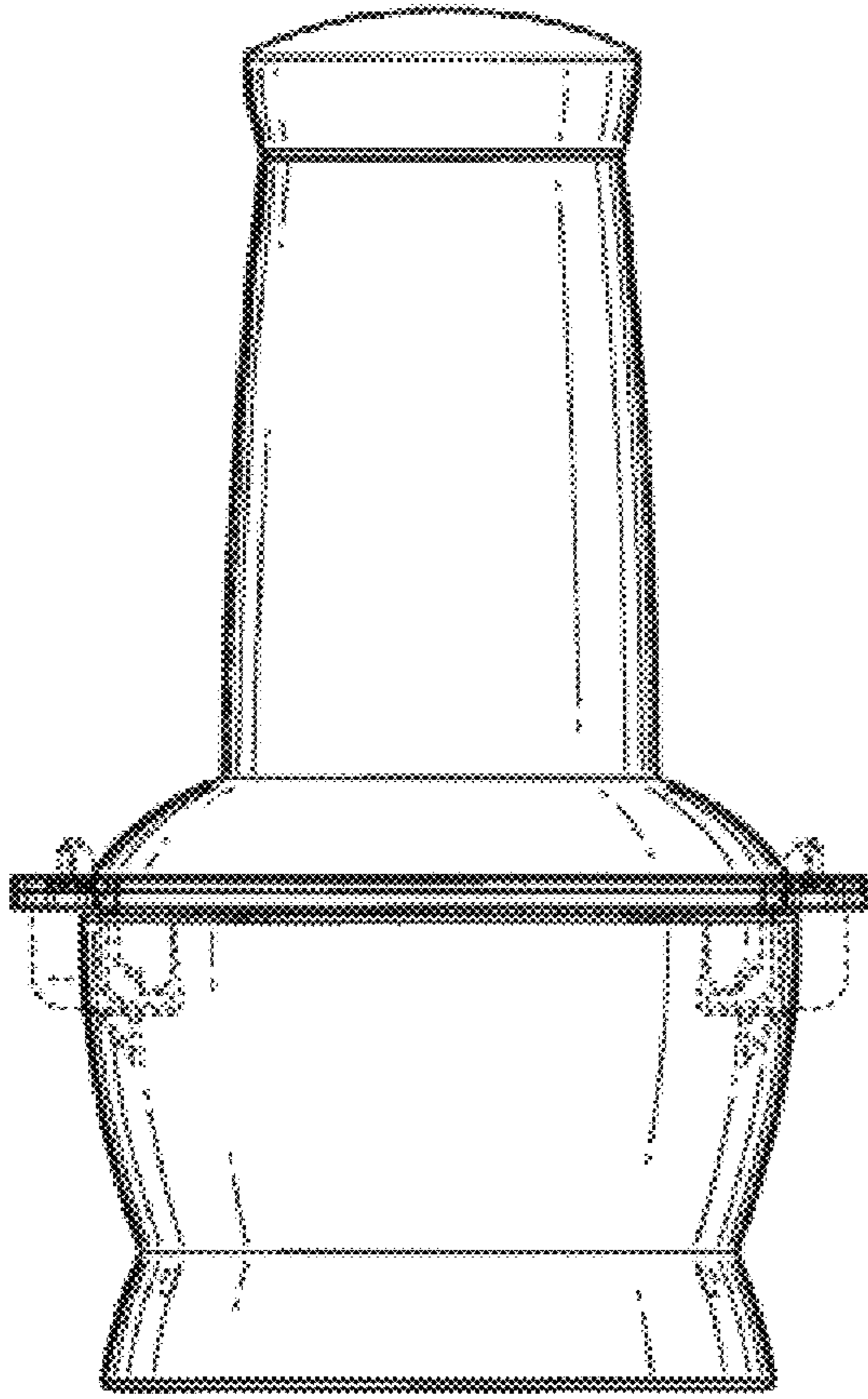


FIG. 2

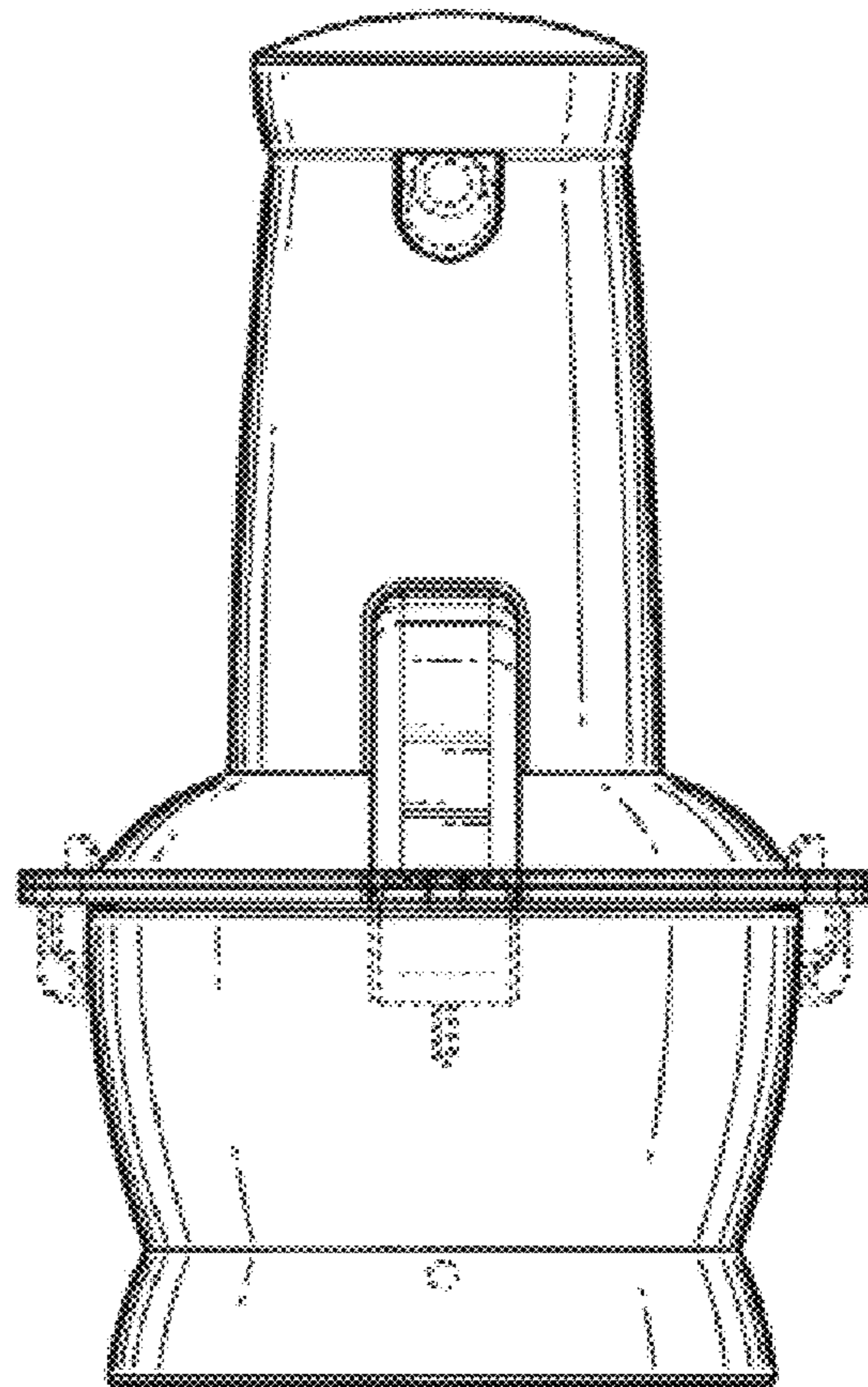


FIG. 3

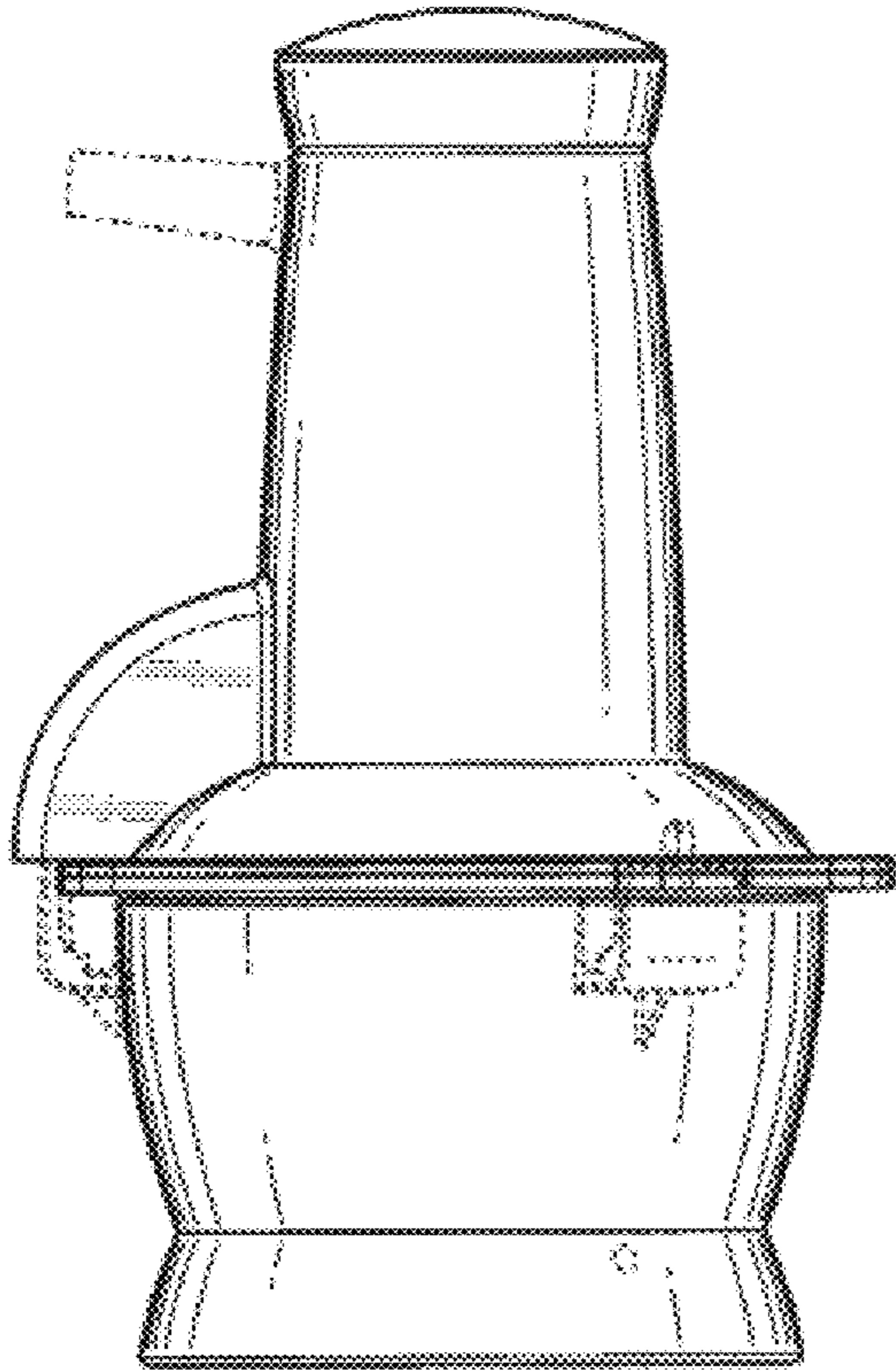


FIG. 4

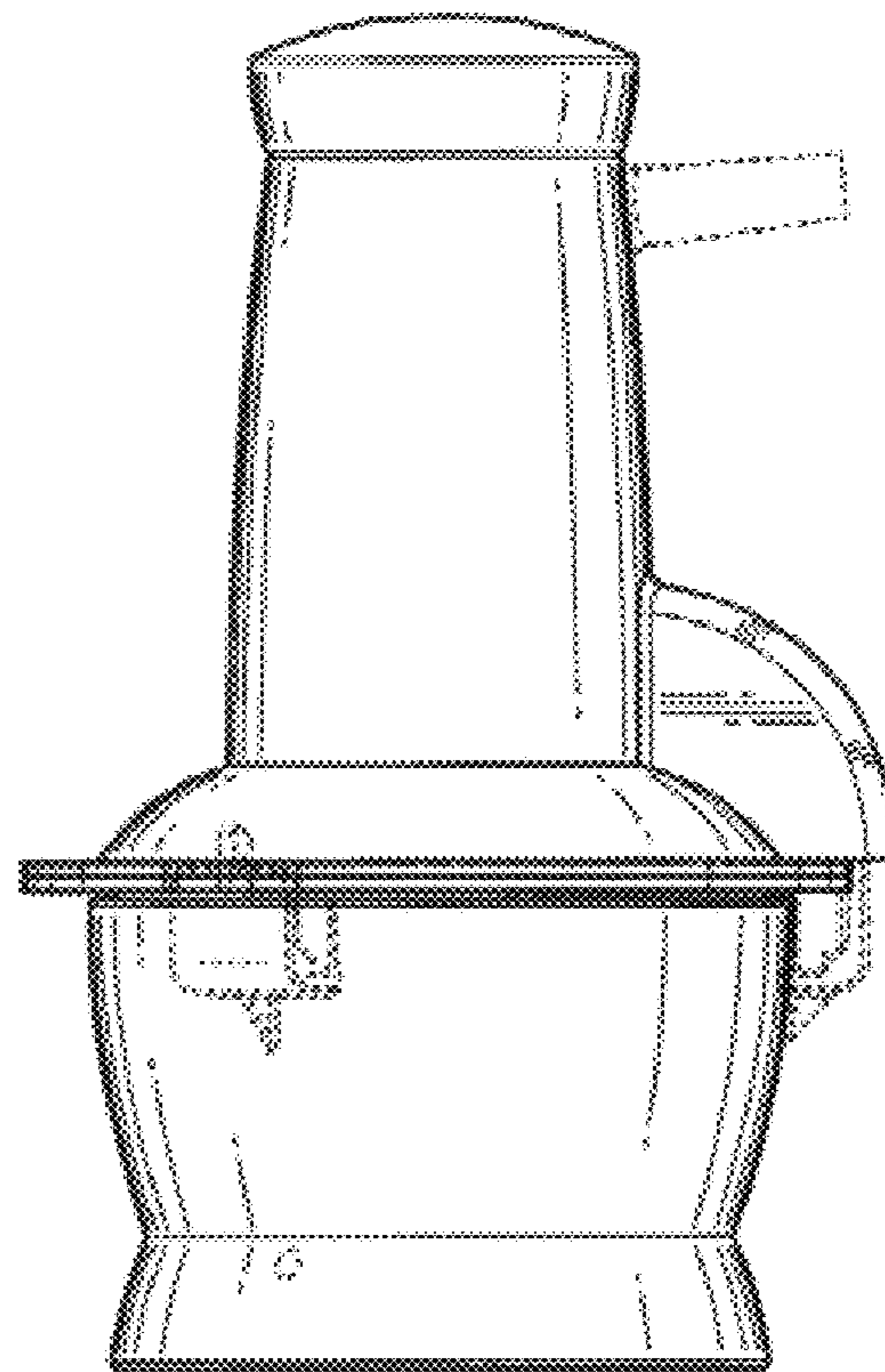


FIG. 5

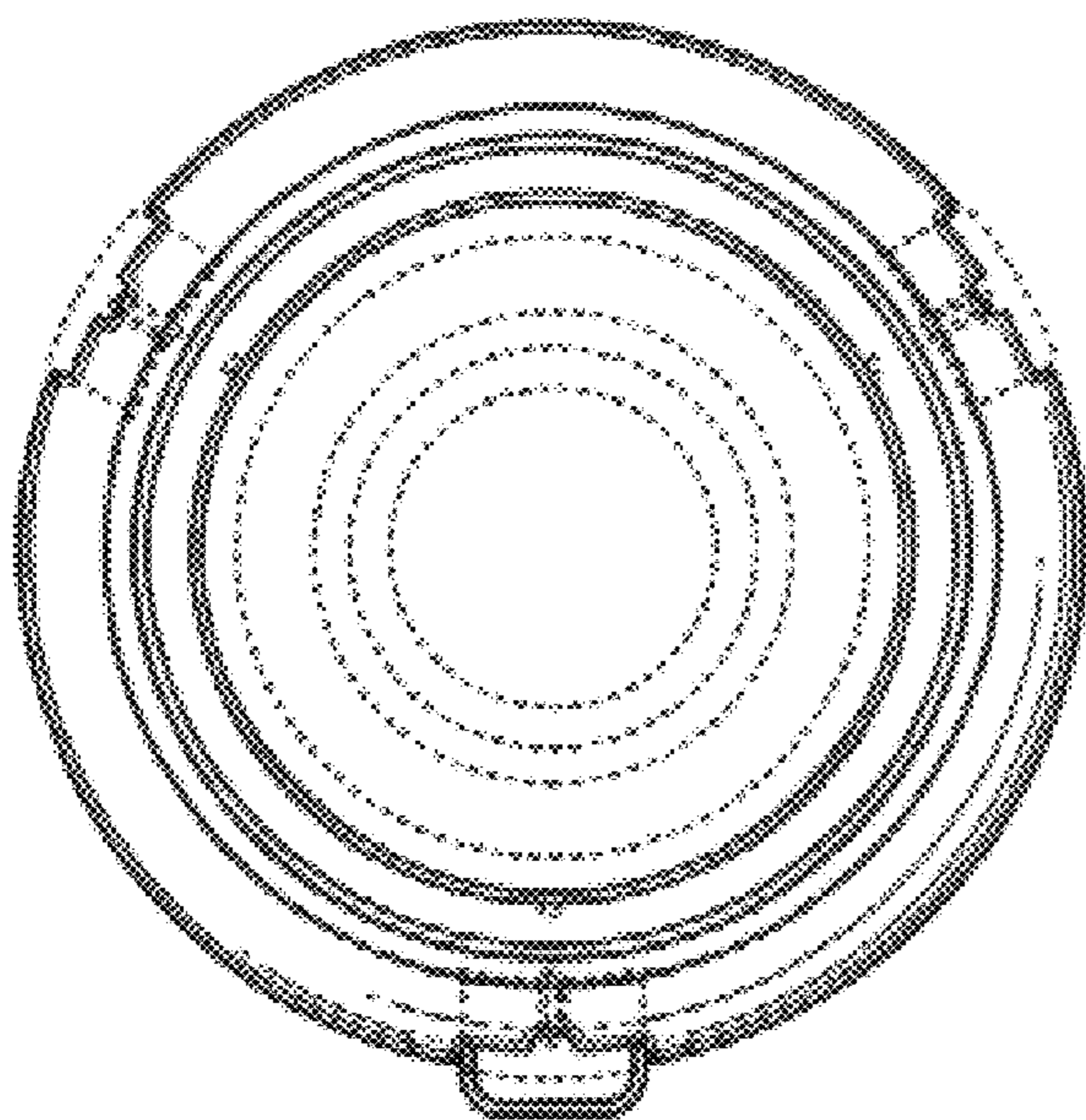


FIG. 6

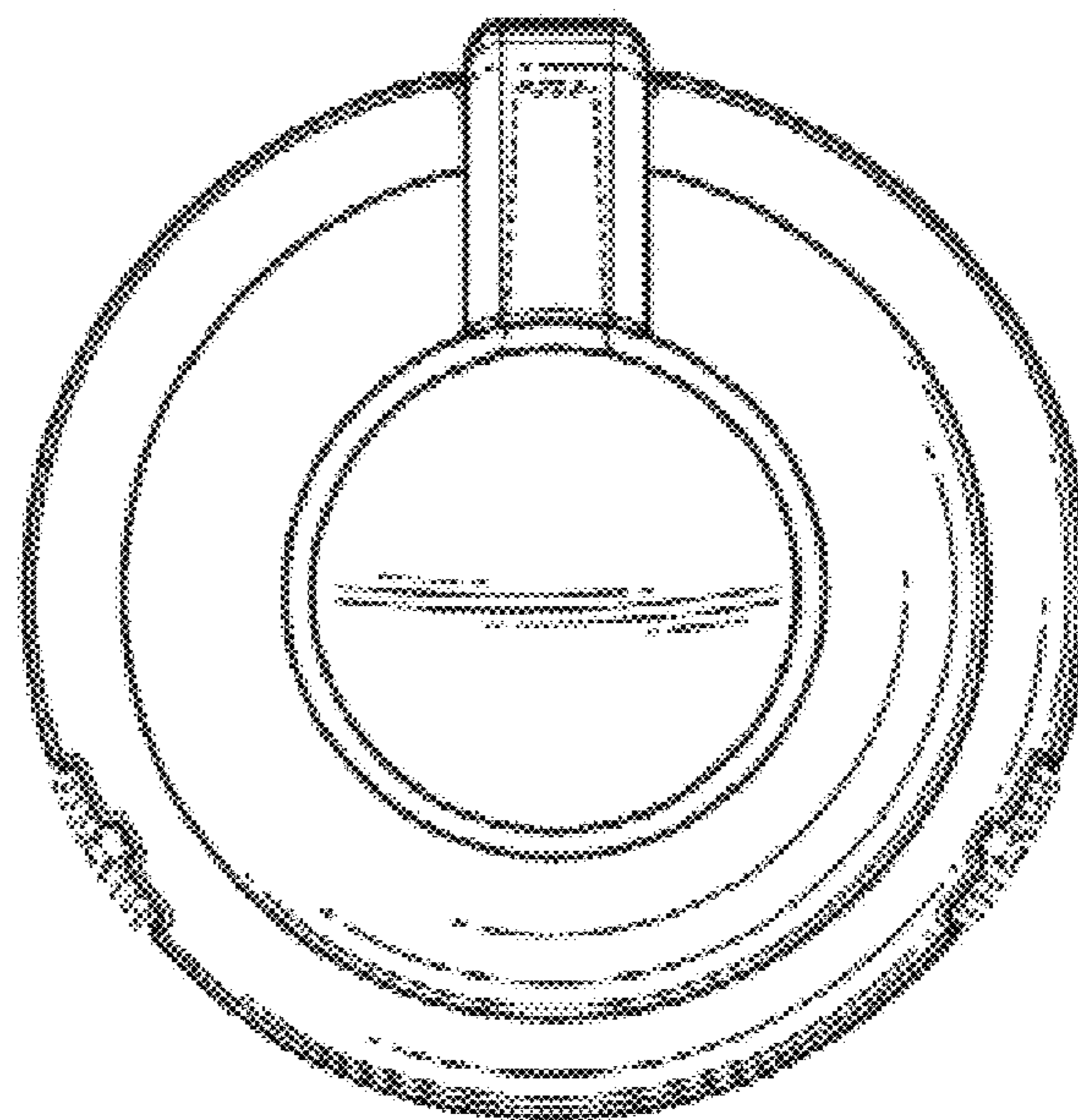


FIG. 7