



US00D567016S

(12) **United States Design Patent**
Chan

(10) **Patent No.:** **US D567,016 S**

(45) **Date of Patent:** **** Apr. 22, 2008**

(54) **BUFFET WARMER**

(76) Inventor: **Eddie Man-Ying Chan**, Unit 901,
Peninsula Square, No. 18 Sung On
Street, Hunghom, Kowloon, Hong Kong
(CN)

(**) Term: **14 Years**

(21) Appl. No.: **29/268,399**

(22) Filed: **Nov. 6, 2006**

(51) **LOC (8) Cl.** **07-02**

(52) **U.S. Cl.** **D7/364**

(58) **Field of Classification Search** D7/362-367,
D7/338, 402, 407; 219/450.1, 520, 468.1,
219/533, 386, 429, 443.1, 452.11; 99/422,
99/425, 443 R, 445, 448, 450

See application file for complete search history.

(56) **References Cited**

U.S. PATENT DOCUMENTS

- D97,530 S * 11/1935 Knapp D7/364
- D107,453 S * 12/1937 Preston D7/364
- D205,820 S * 9/1966 Ryan D7/364
- D335,240 S * 5/1993 Critchfield et al. D7/364
- D422,837 S * 4/2000 Yamagiwa et al. D7/364

- D491,012 S * 6/2004 Rogers D7/364
- D513,151 S * 12/2005 Currie D7/364
- D541,585 S * 5/2007 Lee D7/364
- 2002/0033390 A1 * 3/2002 Von Mosshaim 219/452.11

* cited by examiner

Primary Examiner—Ruth McInroy

(74) *Attorney, Agent, or Firm*—Alix, Yale & Ristas, LLP

(57) **CLAIM**

The ornamental design for a buffet warmer, as shown and described.

DESCRIPTION

FIG. 1 is a front elevational view of a buffet warmer showing my new design;

FIG. 2 is a rear elevational view thereof;

FIG. 3 is a left side elevational view thereof;

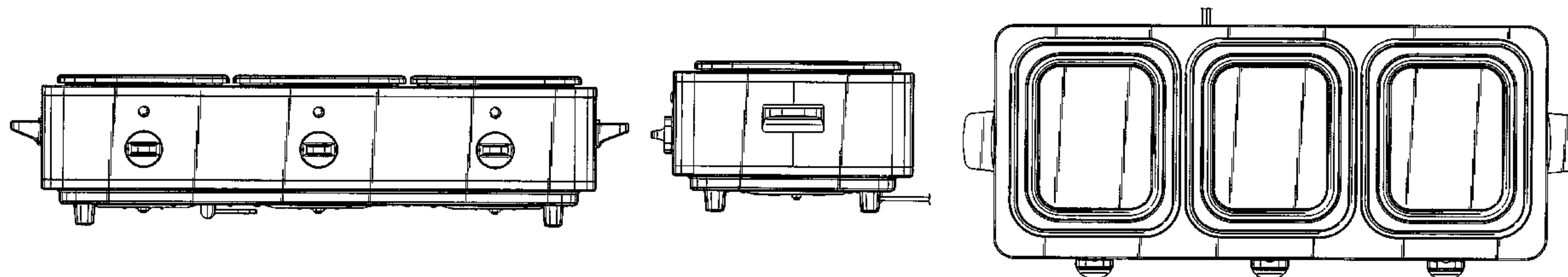
FIG. 4 is a right side elevational view thereof; and

FIG. 5 is a top plan view thereof; and,

FIG. 6 is a bottom plan view thereof.

The electric cord shown broken away in the drawings is understood to represent indeterminate length.

1 Claim, 5 Drawing Sheets



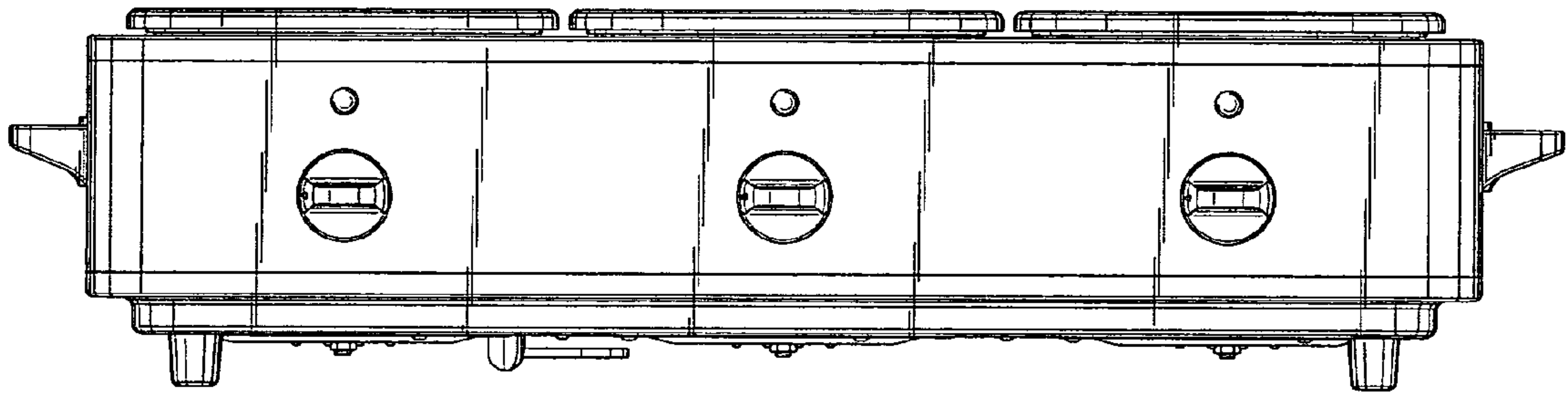


FIG. 1

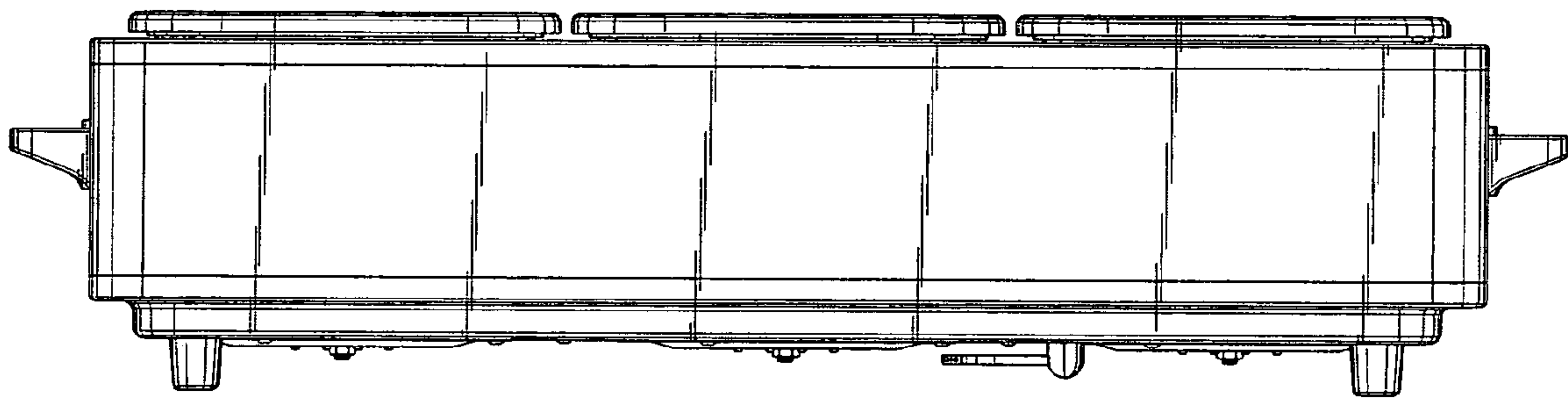


FIG. 2

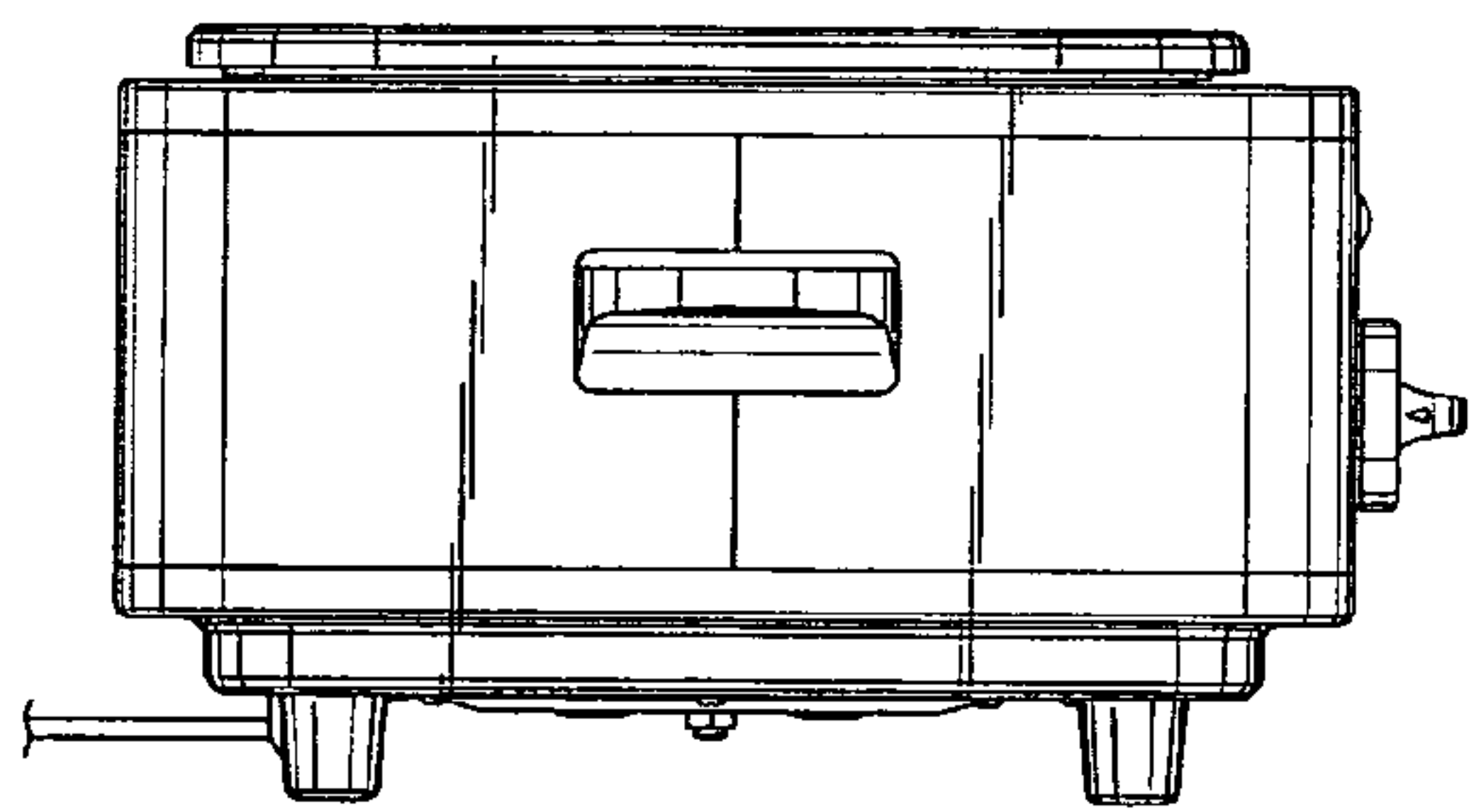


FIG. 3

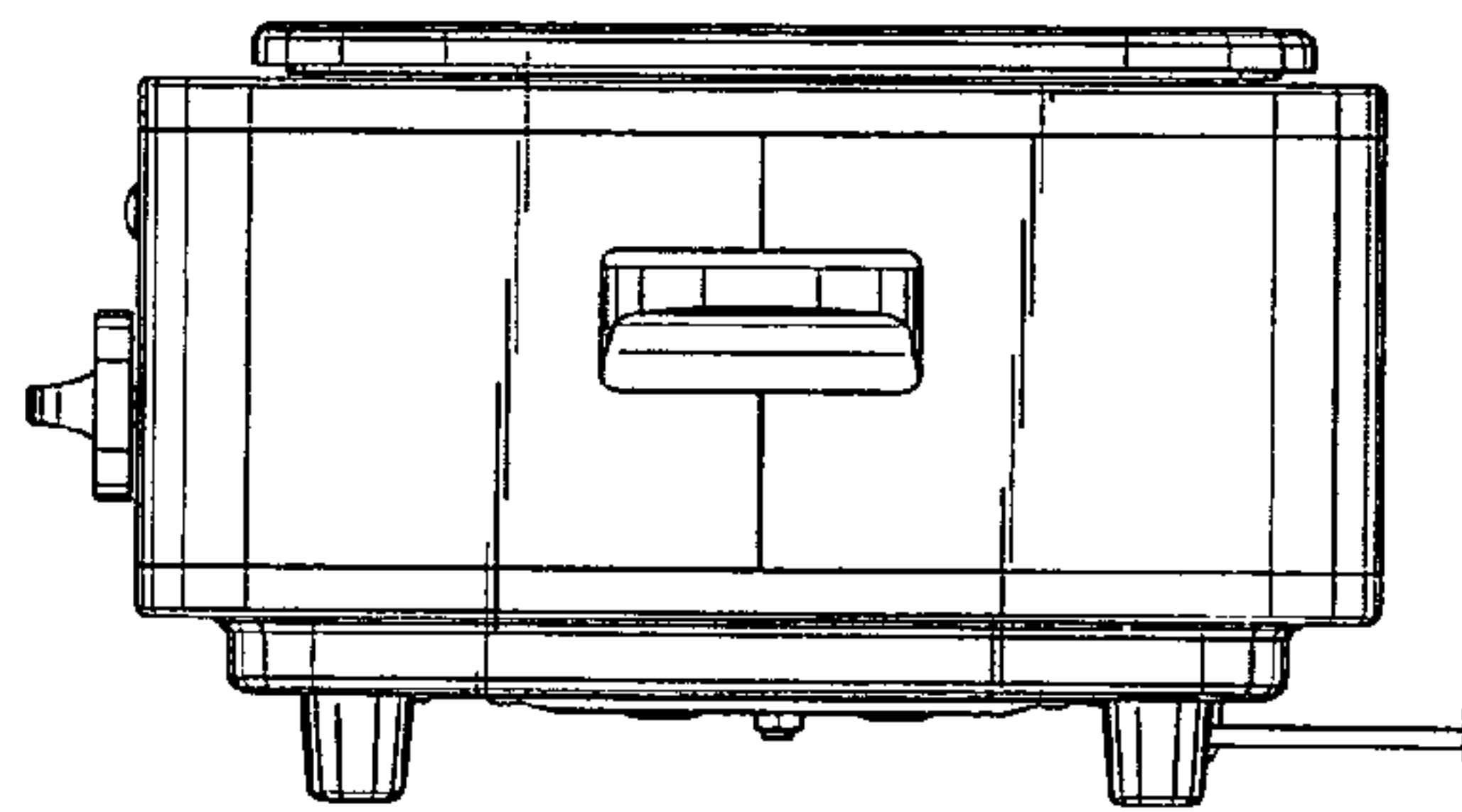


FIG. 4

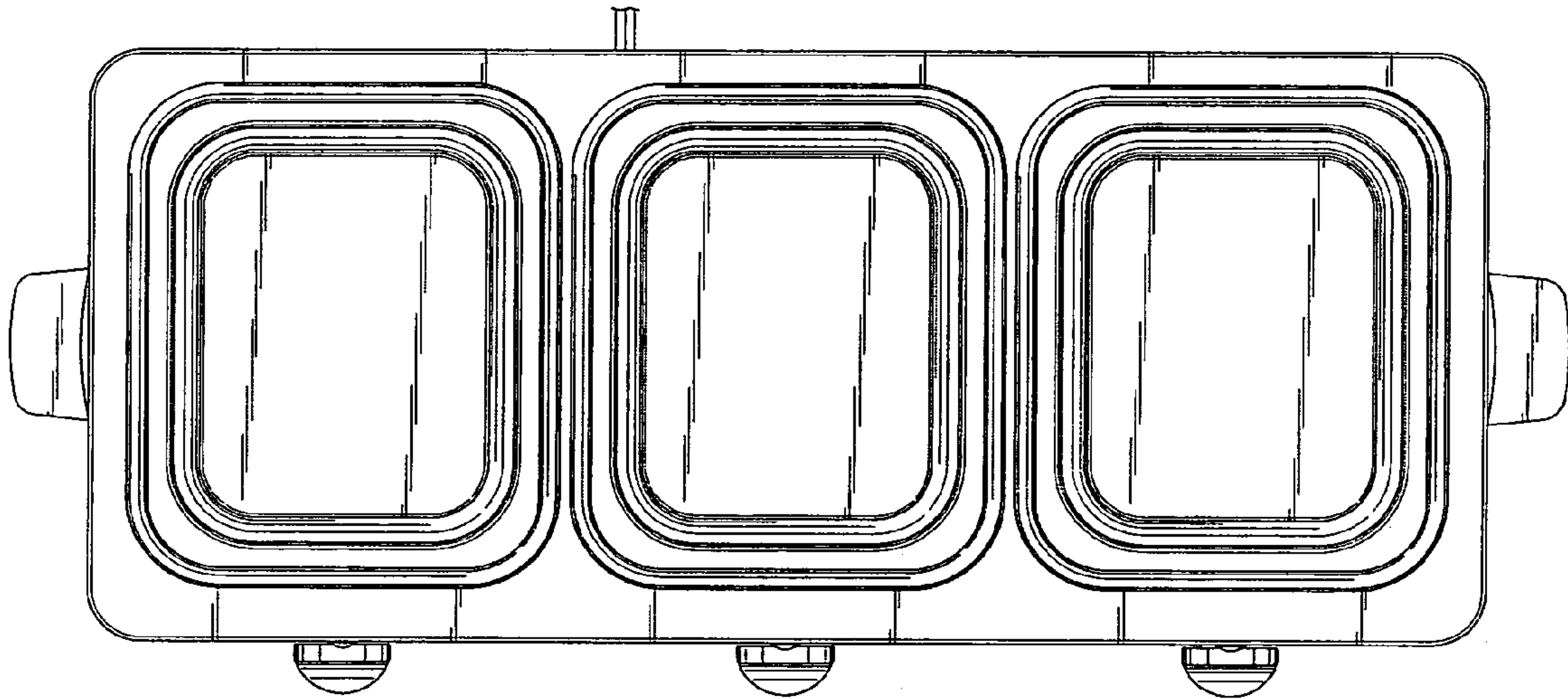


FIG. 5

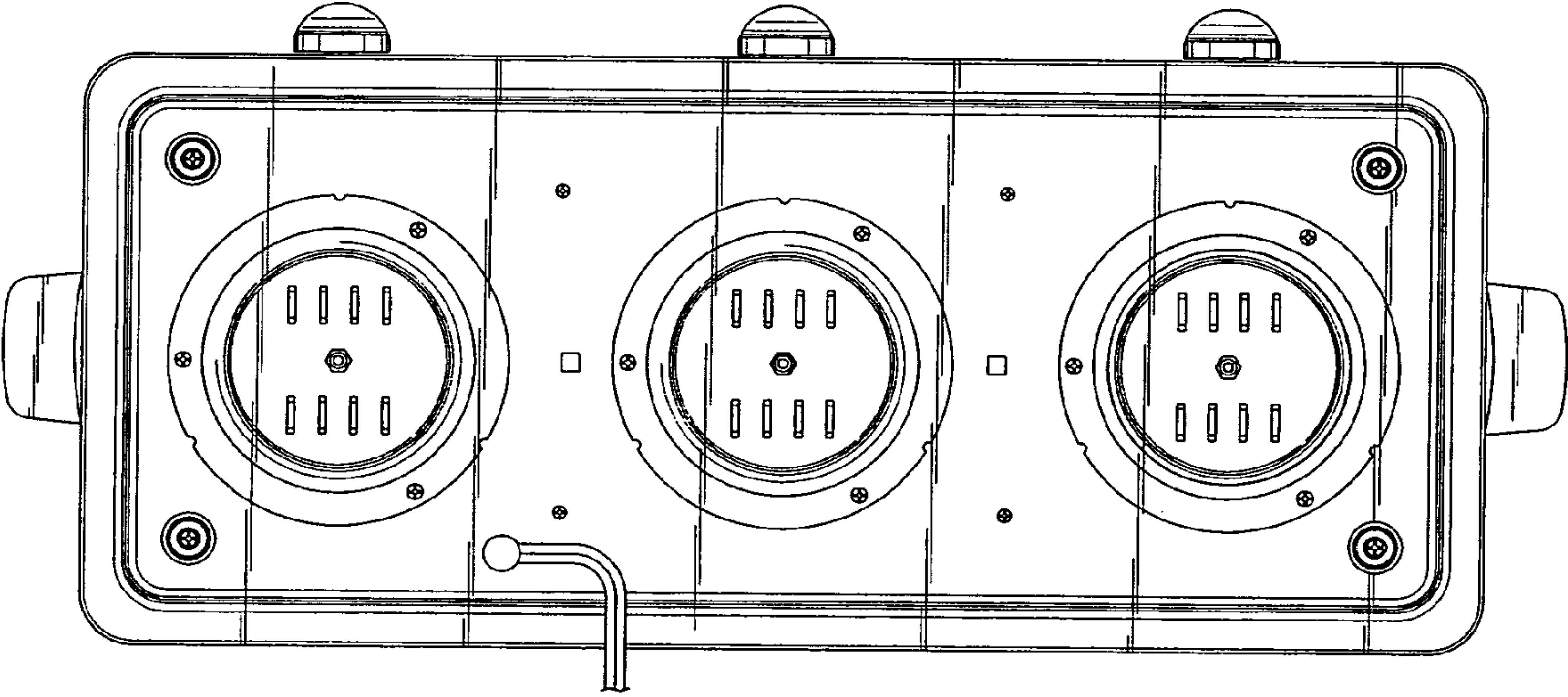


FIG. 6