

US00D567012S

(12) **United States Design Patent**
DeMars

(10) **Patent No.:** **US D567,012 S**

(45) **Date of Patent:** **** Apr. 22, 2008**

(54) **BARBECUE APPARATUS**

(75) **Inventor:** **Robert DeMars**, Woodland Hills, CA
(US)

(73) **Assignee:** **Original Ideas, Inc.**, La Quinta, CA
(US)

(**) **Term:** **14 Years**

(21) **Appl. No.:** **29/286,523**

(22) **Filed:** **May 10, 2007**

(51) **LOC (8) Cl.** **07-02**

(52) **U.S. Cl.** **D7/337**

(58) **Field of Classification Search** D7/340,
D7/347, 348, 332, 334-337, 339, 323, 402-405;
126/29, 25 R, 25 A, 25 AA, 9 R, 9 B, 37 R,
126/41 R, 40, 33, 369.2, 377.1, 276, 268;
99/450, 481-482

See application file for complete search history.

(56) **References Cited**

U.S. PATENT DOCUMENTS

- D270,420 S * 9/1983 Baugh D7/337
- D292,163 S * 10/1987 Mashburn et al. D7/337
- D352,865 S * 11/1994 Pai D7/337
- D367,799 S * 3/1996 Pai D7/332

- D379,900 S * 6/1997 Gillam et al. D7/337
- 5,645,041 A * 7/1997 Yu 126/25 R
- D383,640 S * 9/1997 Yu D7/337
- 2006/0048764 A1 * 3/2006 Mashburn 126/25 R

* cited by examiner

Primary Examiner—Ruth McInroy

(74) *Attorney, Agent, or Firm*—Dan M. DeLa Rosa

(57) **CLAIM**

The ornamental design for a barbecue apparatus, as shown and described.

DESCRIPTION

FIG. 1 is a front perspective view of the cooking and barbecue apparatus of the present invention showing my new design;

FIG. 2 is a back perspective view thereof;

FIG. 3 is a top plan view thereof;

FIG. 4 is a bottom plan view thereof;

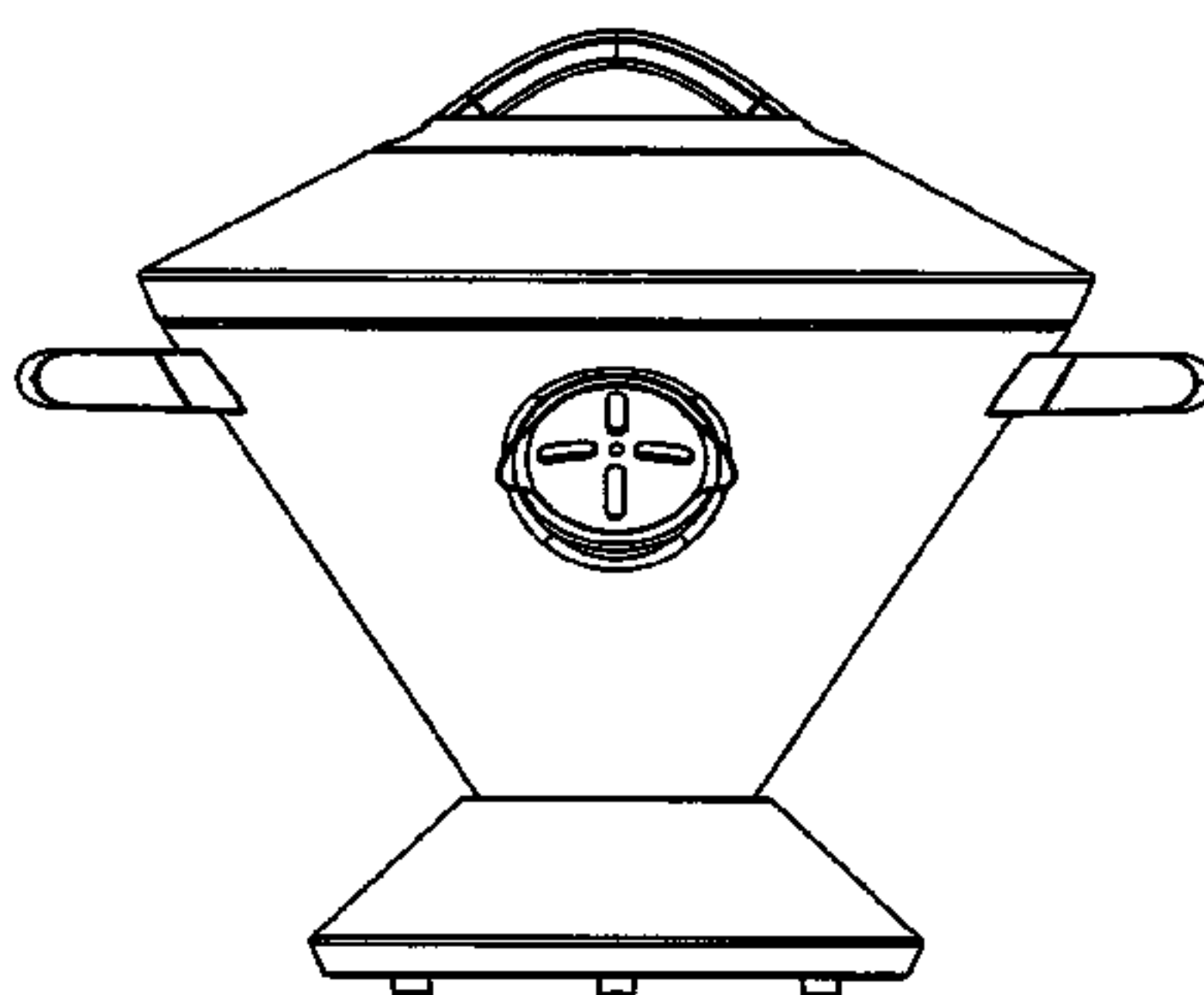
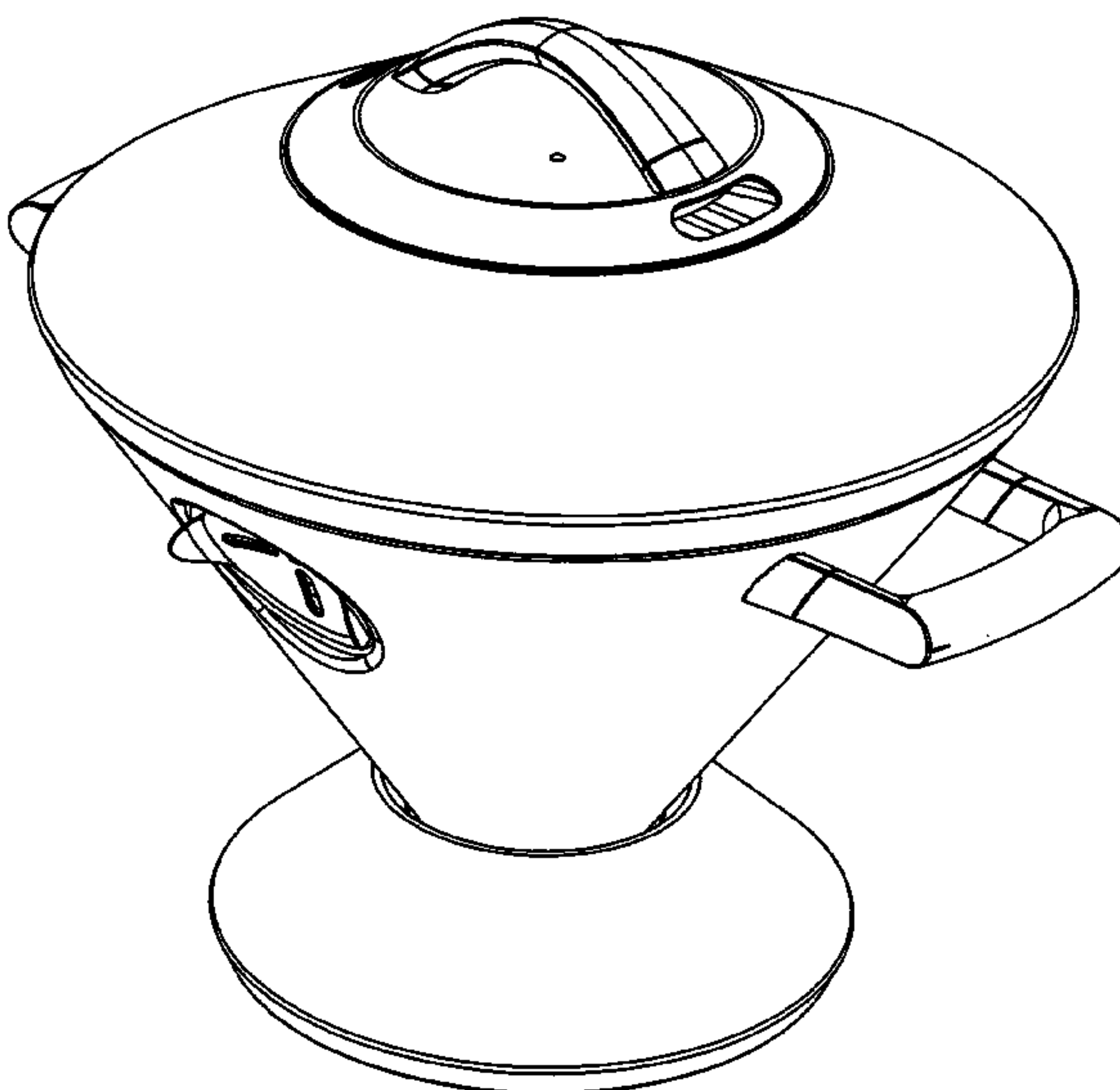
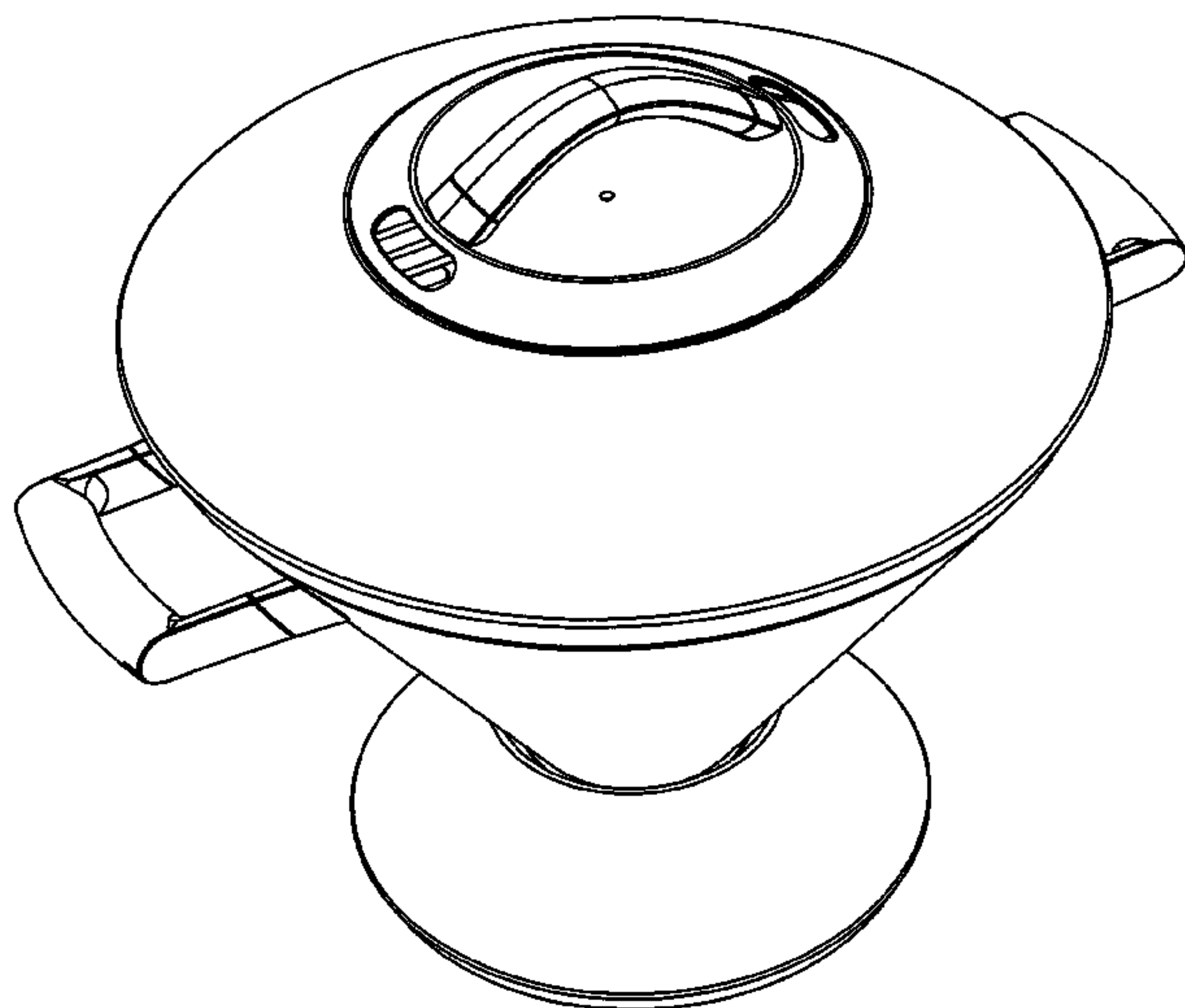
FIG. 5 is a front elevational view thereof;

FIG. 6 is a right side elevational view thereof;

FIG. 7 is a back elevational view thereof; and,

FIG. 8 is a left side elevational view thereof.

1 Claim, 5 Drawing Sheets



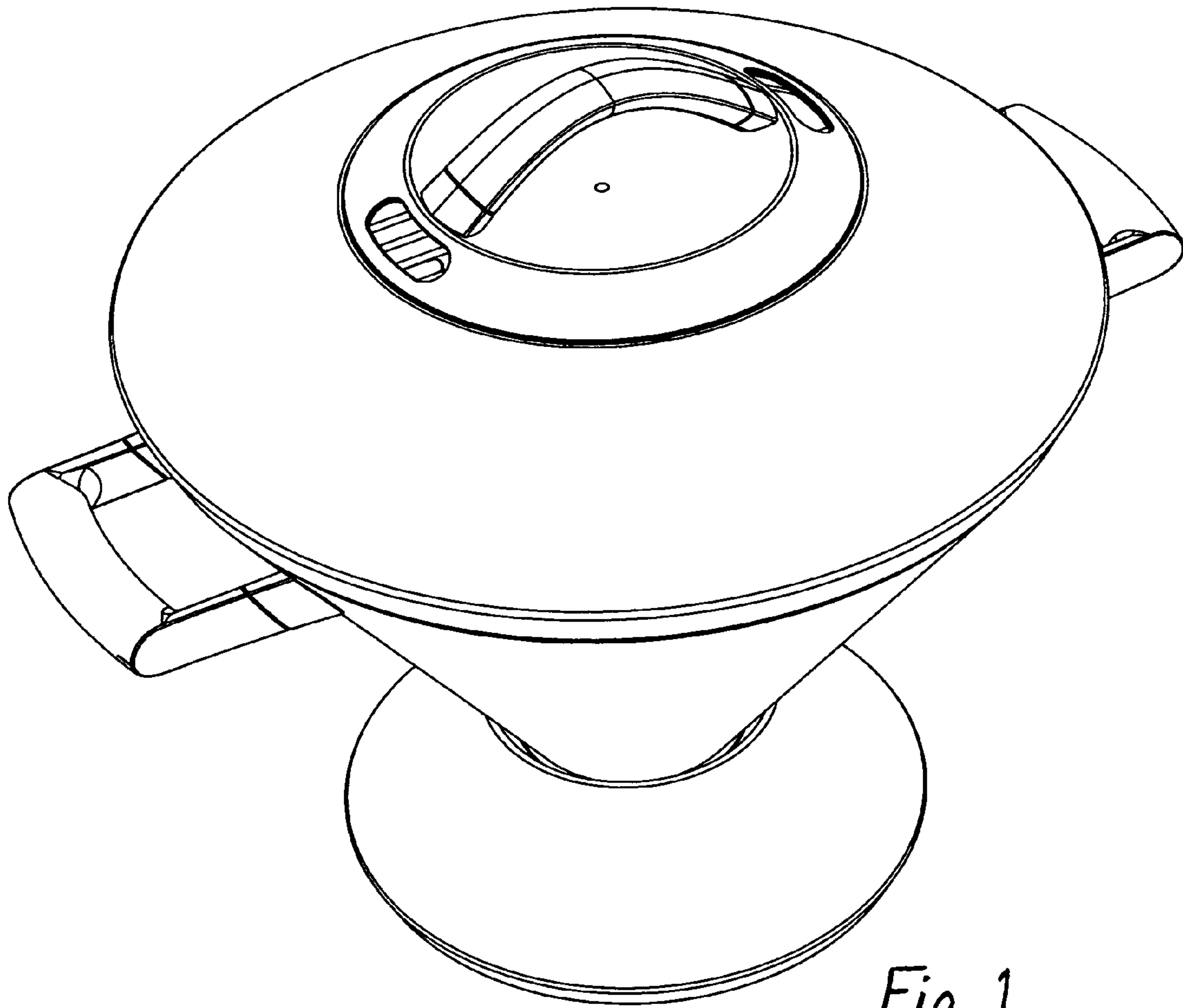


Fig. 1

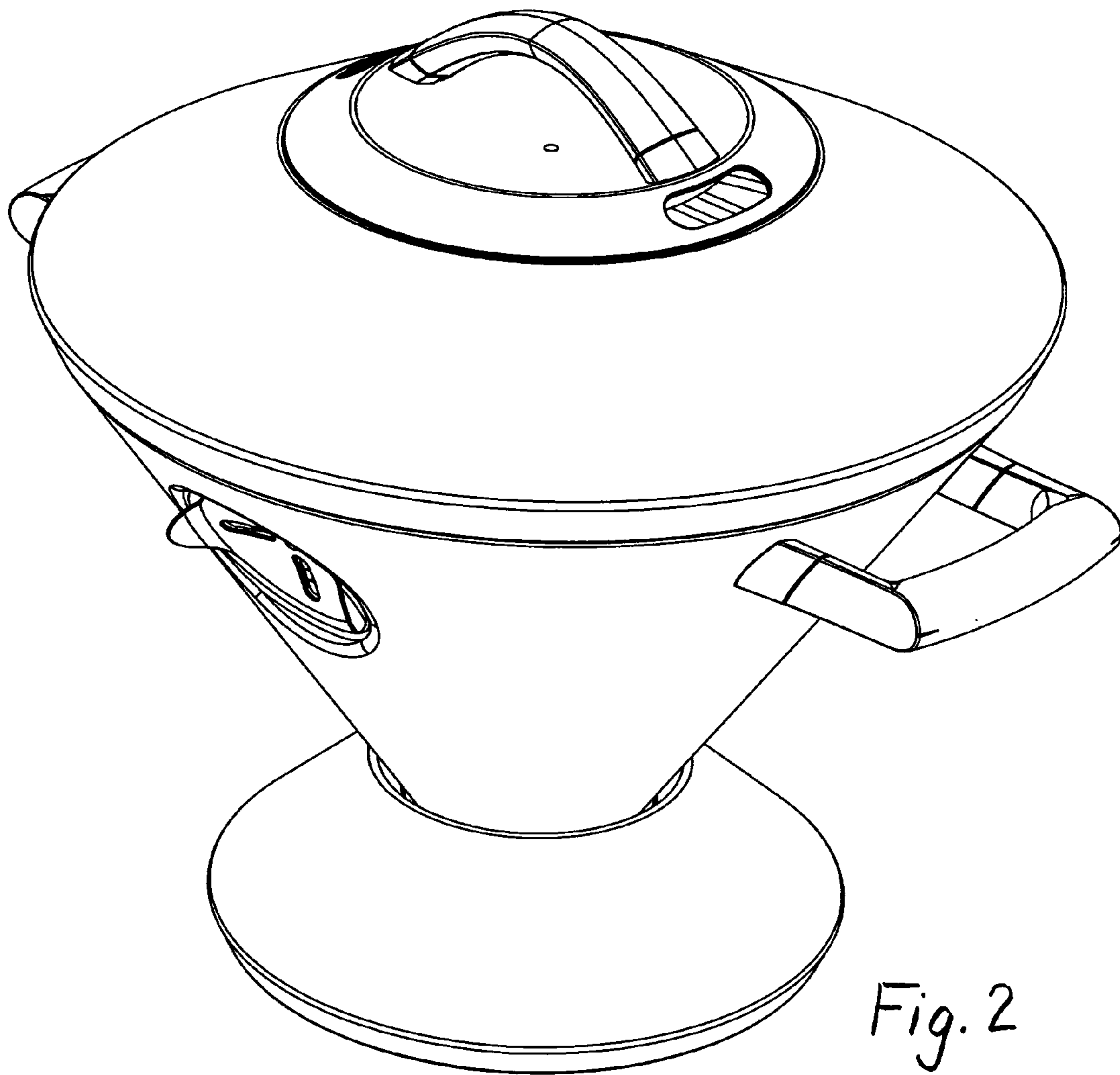


Fig. 2

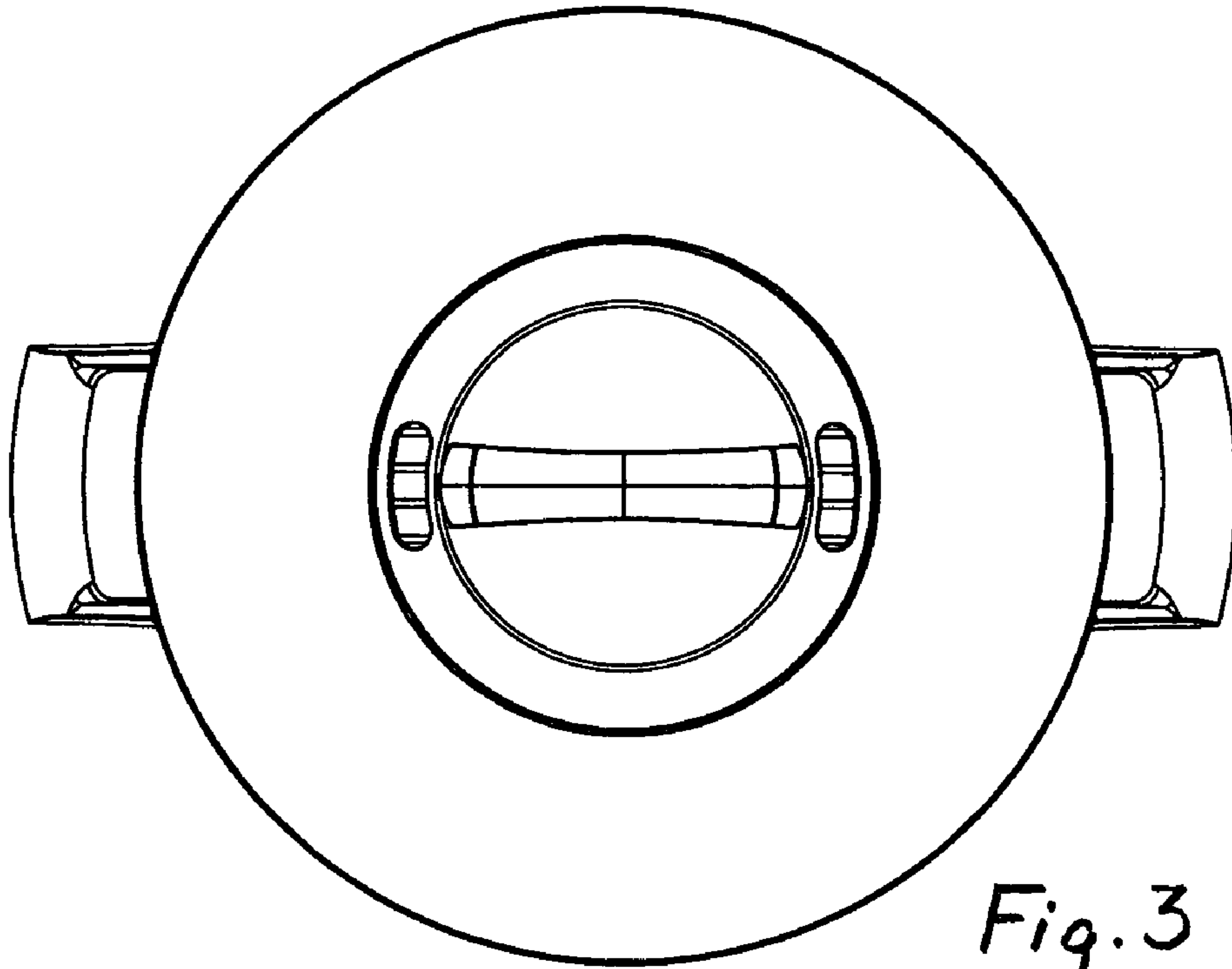


Fig. 3

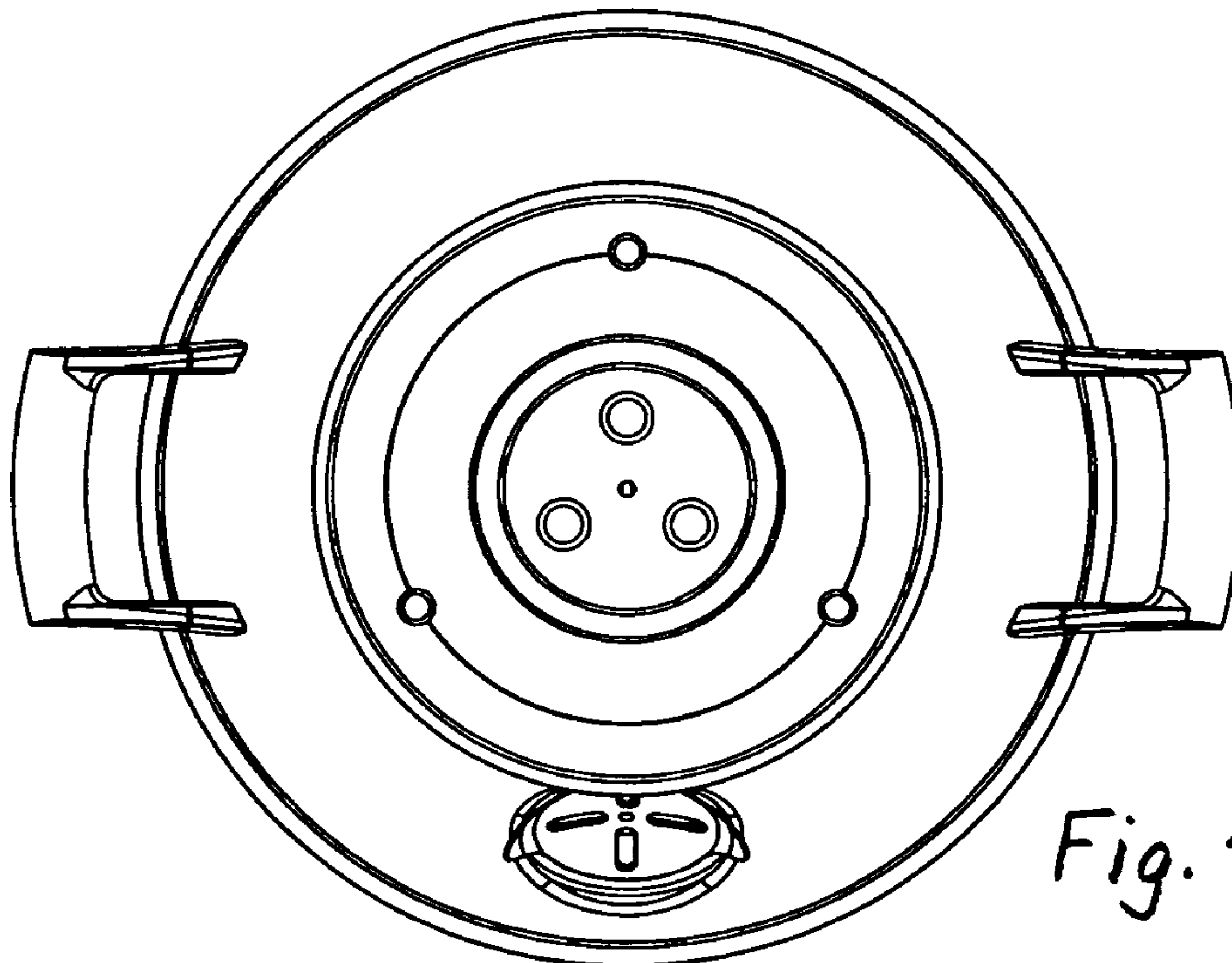


Fig. 4

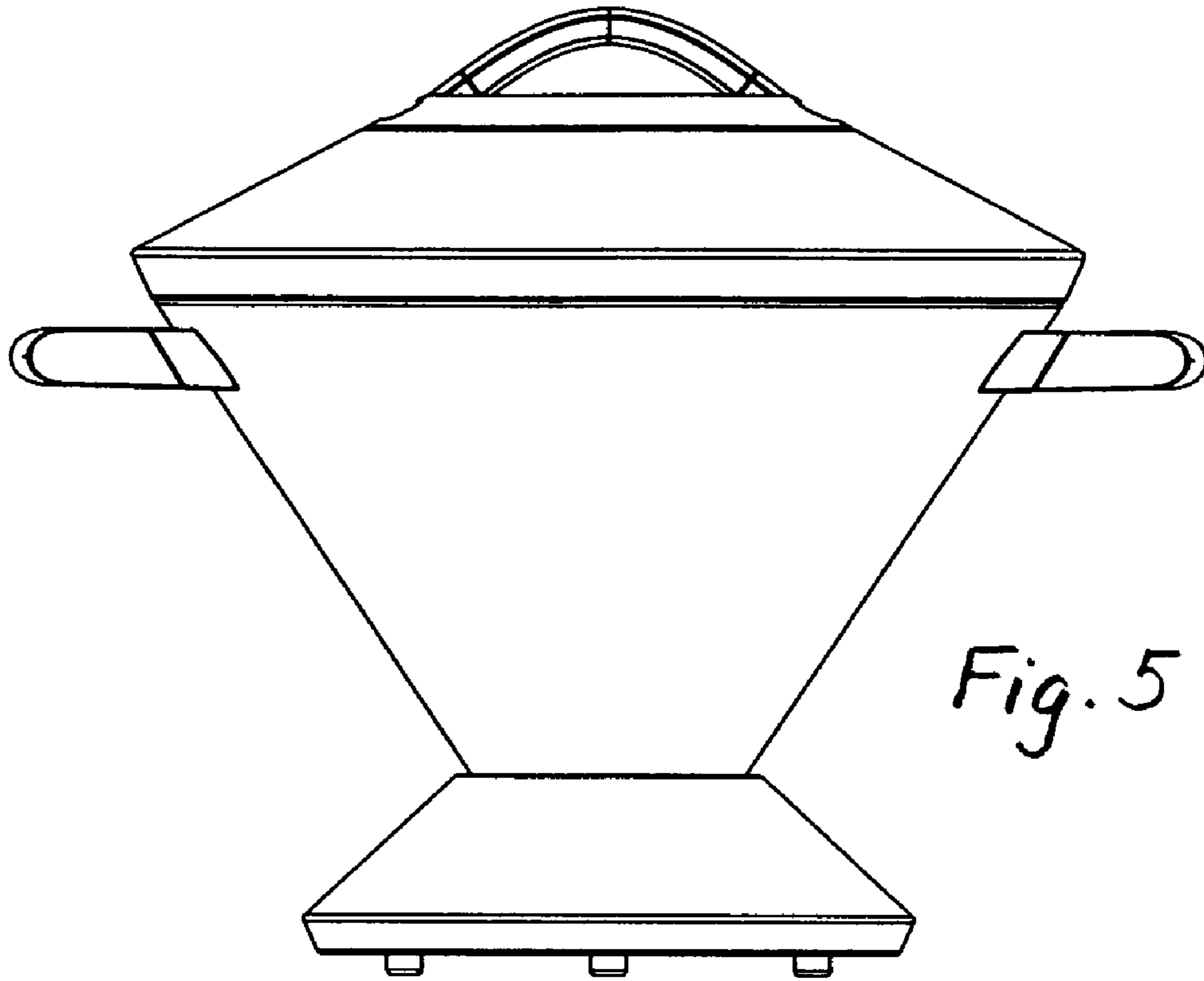


Fig. 5

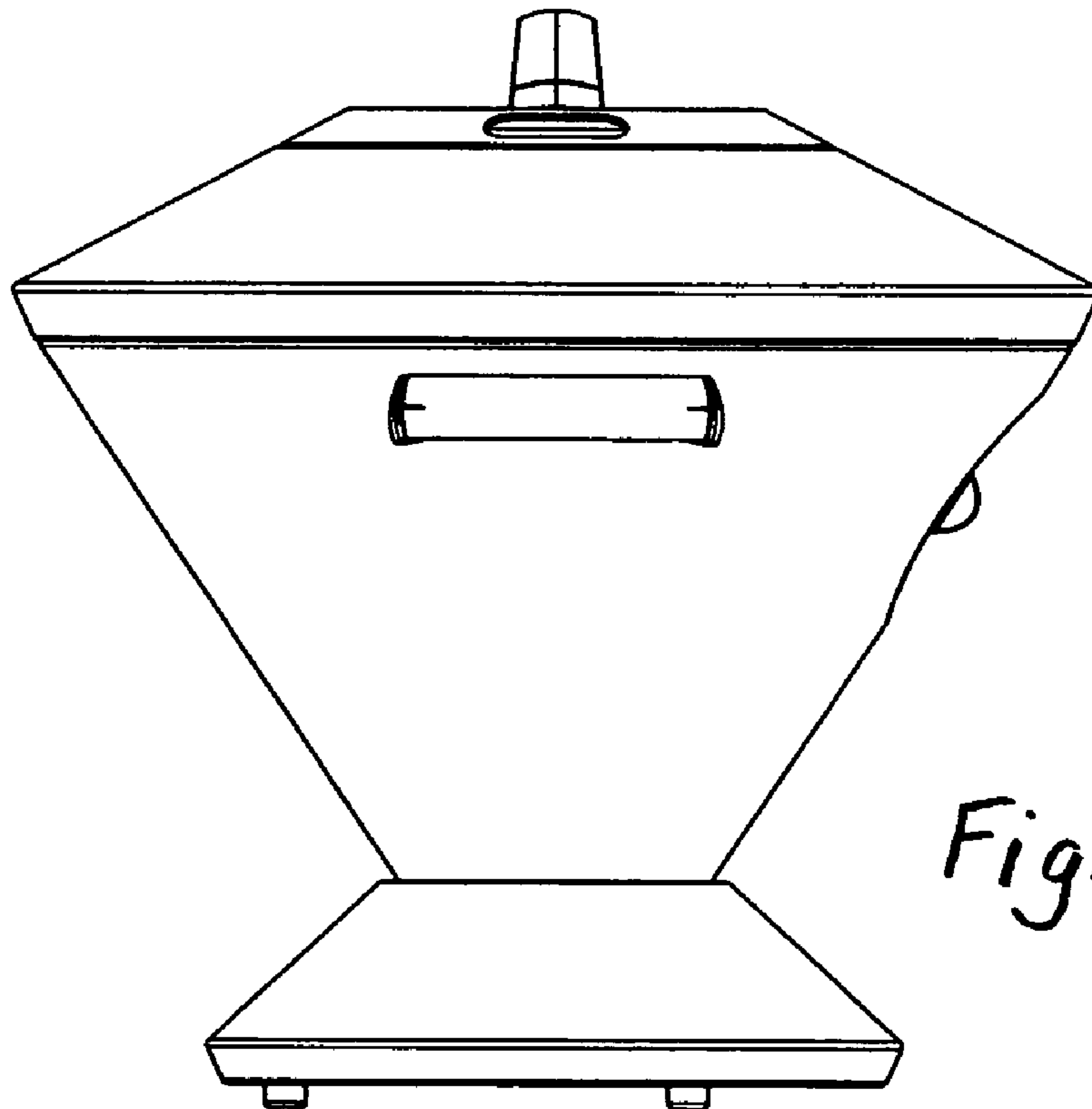


Fig. 6

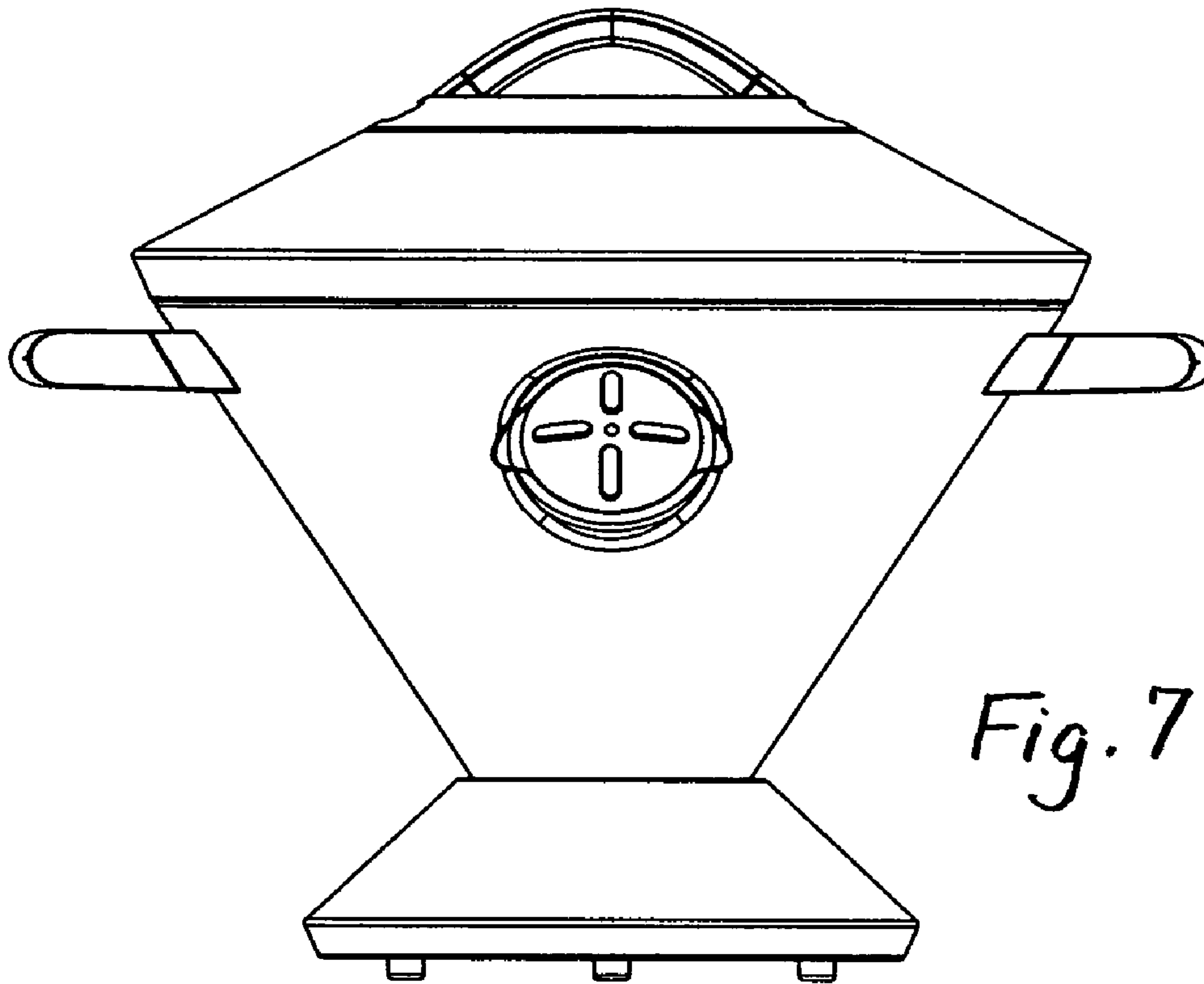


Fig. 7

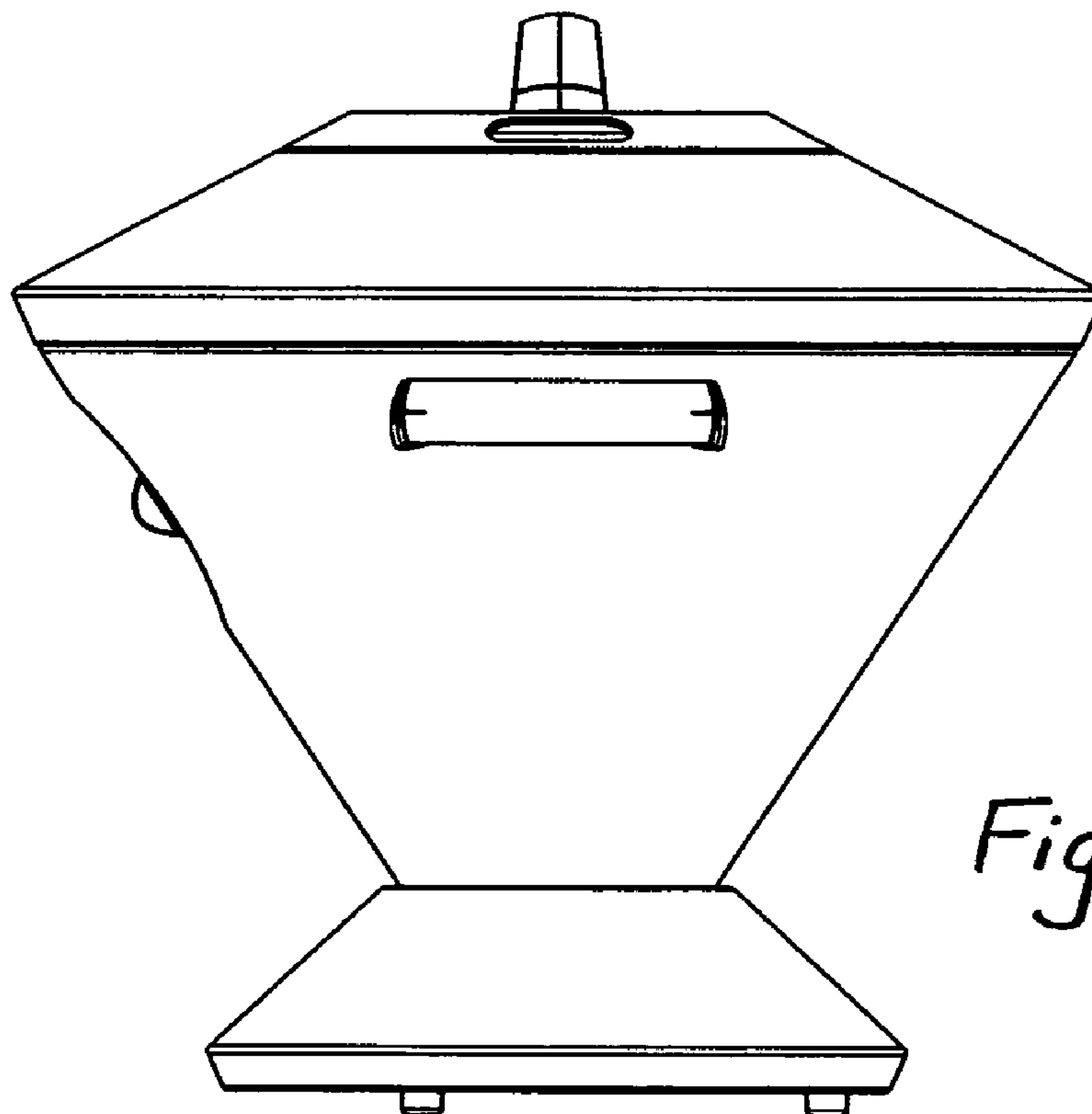


Fig. 8