

US00D567011S

(12) **United States Design Patent**
DeMars

(10) **Patent No.:** **US D567,011 S**

(45) **Date of Patent:** **** Apr. 22, 2008**

(54) **BARBECUE APPARATUS**

D520,802 S * 5/2006 McLemore et al. D7/335
D548,514 S * 8/2007 Huang D7/335

(75) Inventor: **Robert DeMars**, Woodland Hills, CA
(US)

* cited by examiner

(73) Assignee: **Original Ideas, Inc.**, La Quinta, CA
(US)

Primary Examiner—Ruth McInroy
(74) *Attorney, Agent, or Firm*—Dan M. De La Rosa

(**) Term: **14 Years**

(57) **CLAIM**

(21) Appl. No.: **29/286,524**

The ornamental design for a barbecue apparatus, as shown and described.

(22) Filed: **May 10, 2007**

DESCRIPTION

(51) **LOC (8) Cl.** **07-02**

(52) **U.S. Cl.** **D7/335**

(58) **Field of Classification Search** D7/340,
D7/347, 348, 332, 334–337, 339, 323, 402–405;
126/29, 25 R, 25 A, 25 AA, 9 R, 9 B, 37 R,
126/41 R, 40, 33, 369.2, 377.1, 276, 268;
99/450, 481–482

FIG. 1 is a front perspective view of the barbecue apparatus of the present invention showing my new design;

FIG. 2 is a back perspective view thereof;

FIG. 3 is a top plan view thereof;

FIG. 4 is a bottom plan view thereof;

FIG. 5 is a front elevational view thereof;

FIG. 6 is a left side elevational view thereof;

FIG. 7 is a back elevational view thereof; and,

FIG. 8 is a right side elevational view thereof.

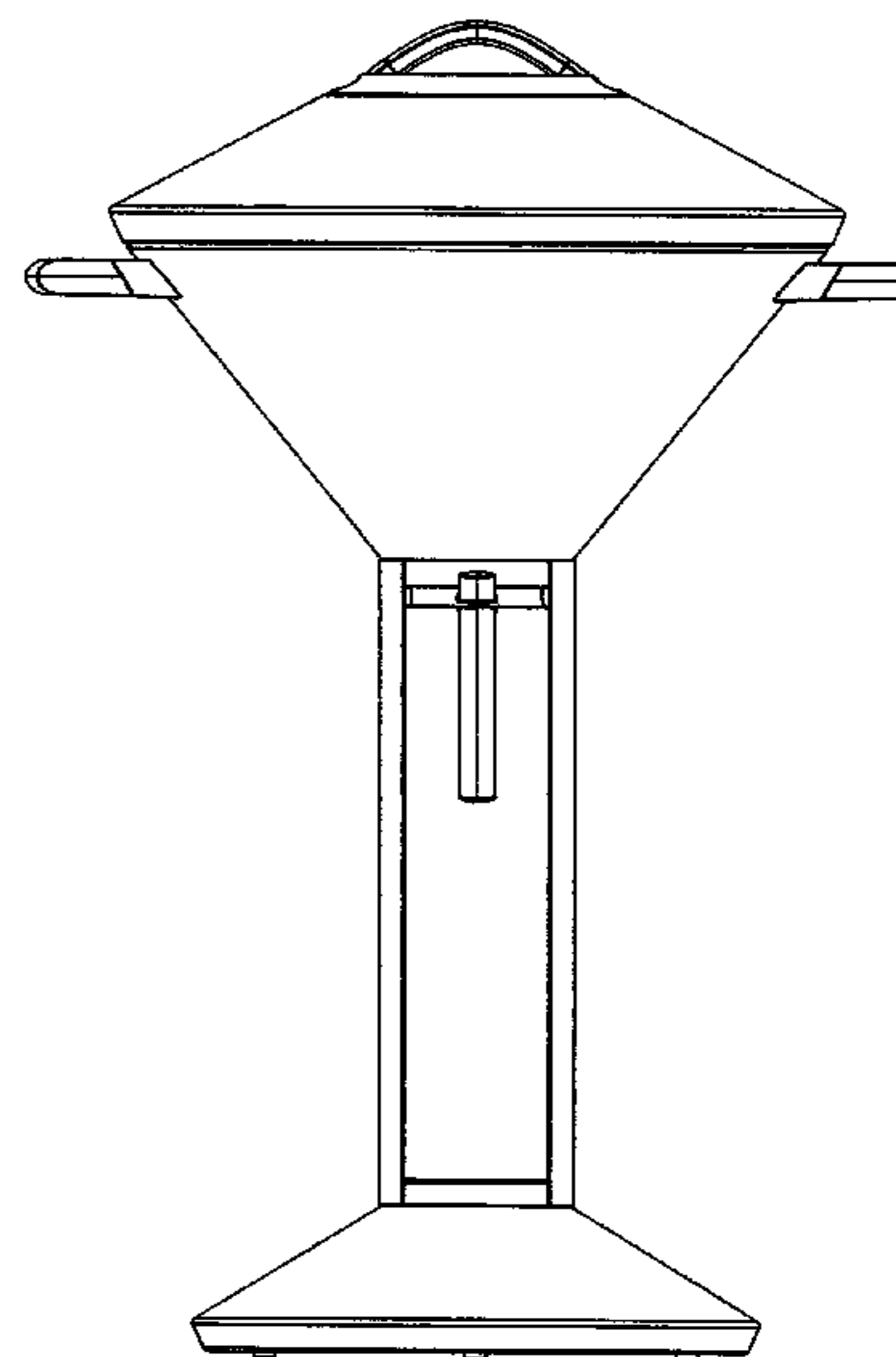
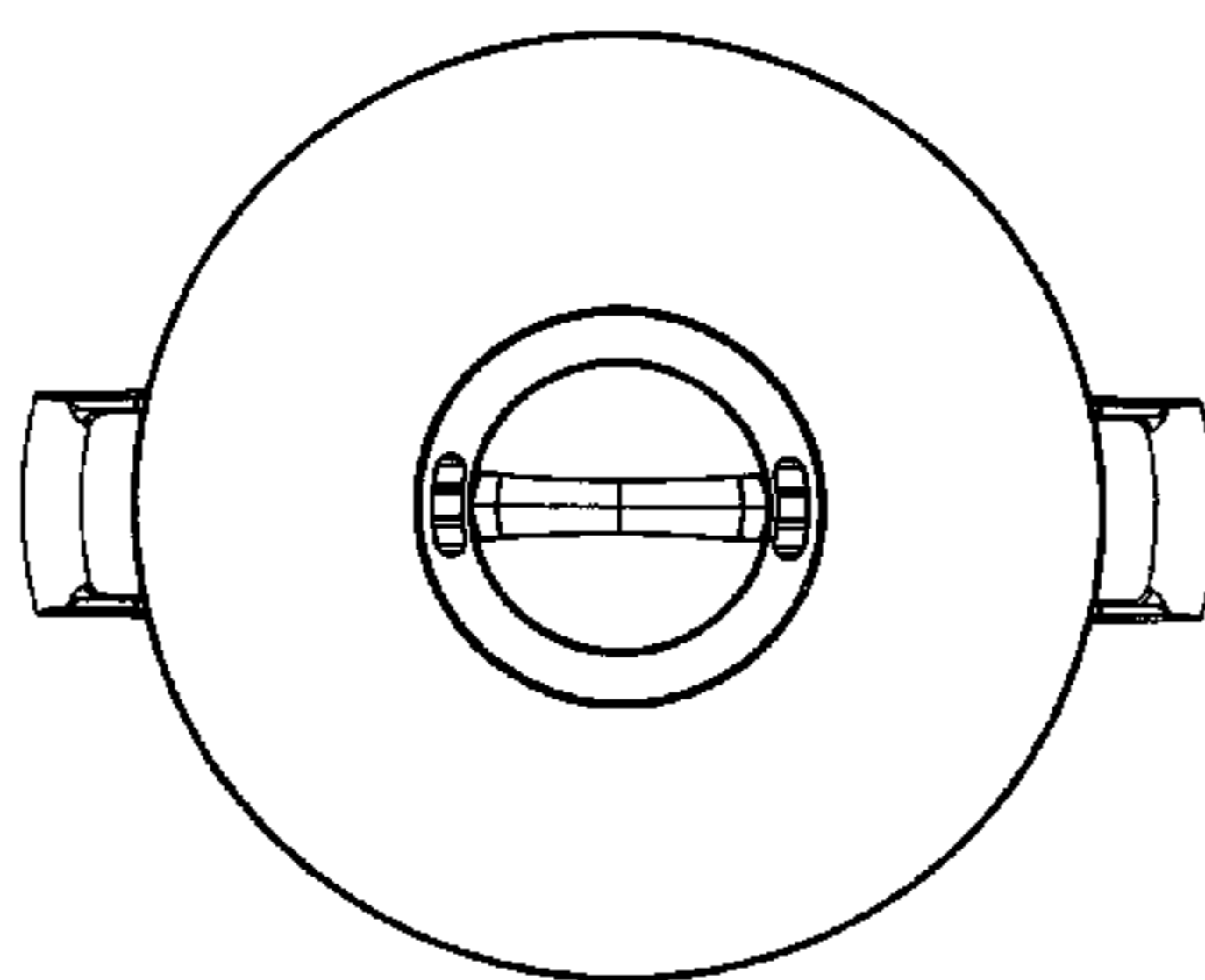
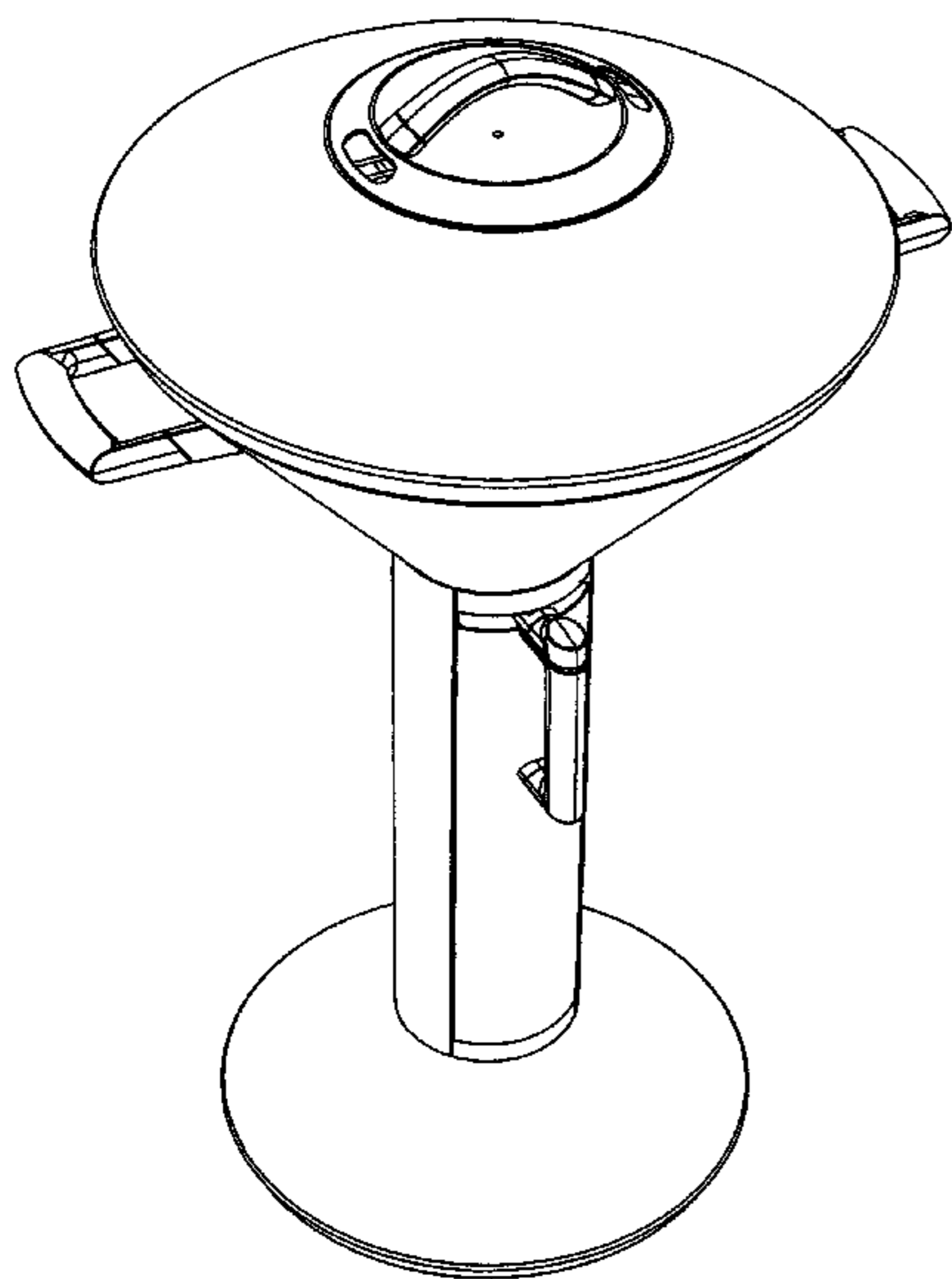
See application file for complete search history.

(56) **References Cited**

U.S. PATENT DOCUMENTS

D438,750 S * 3/2001 Mashburn et al. D7/335
D468,150 S * 1/2003 Schroeter et al. D7/335

1 Claim, 7 Drawing Sheets



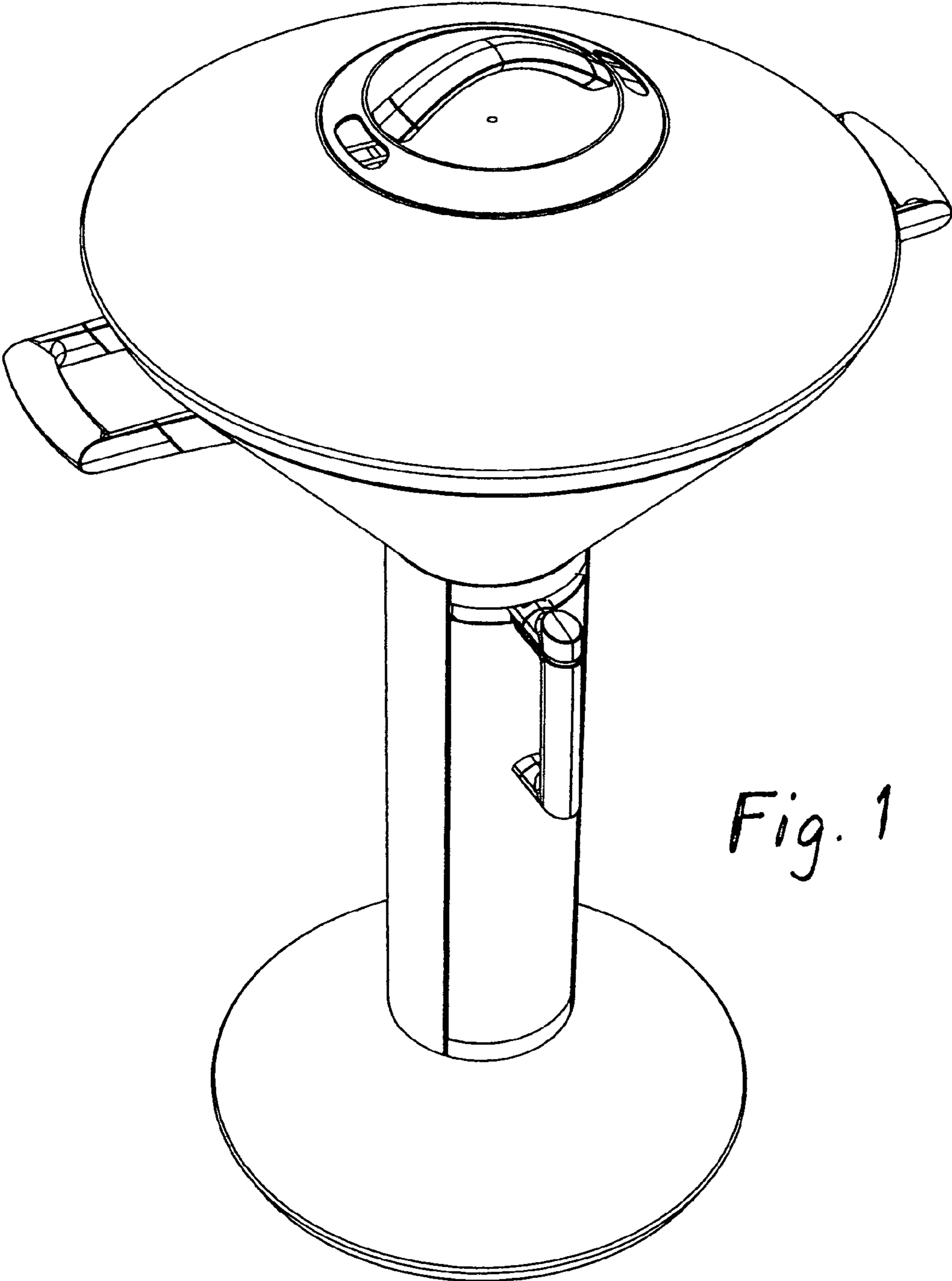


Fig. 1

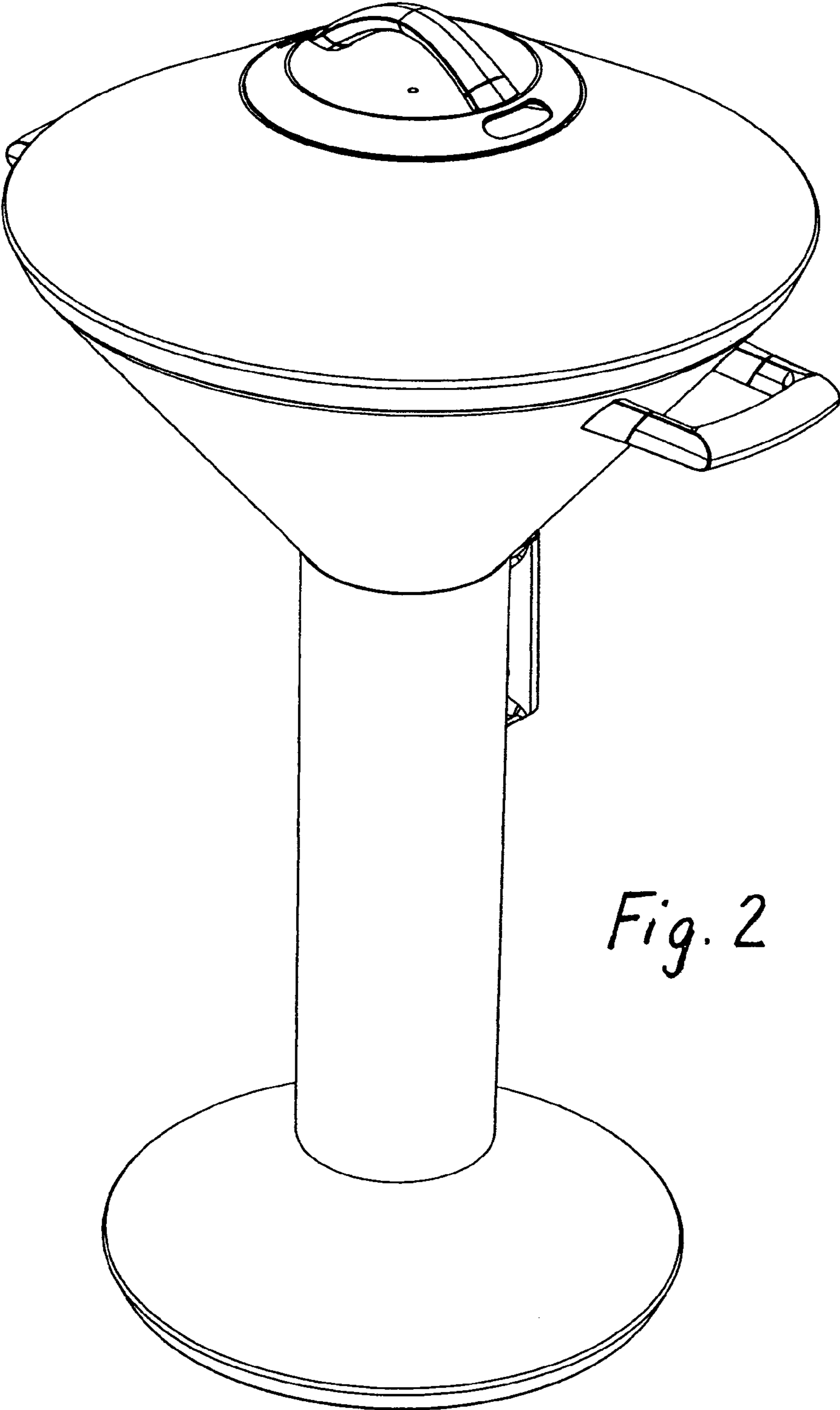


Fig. 2

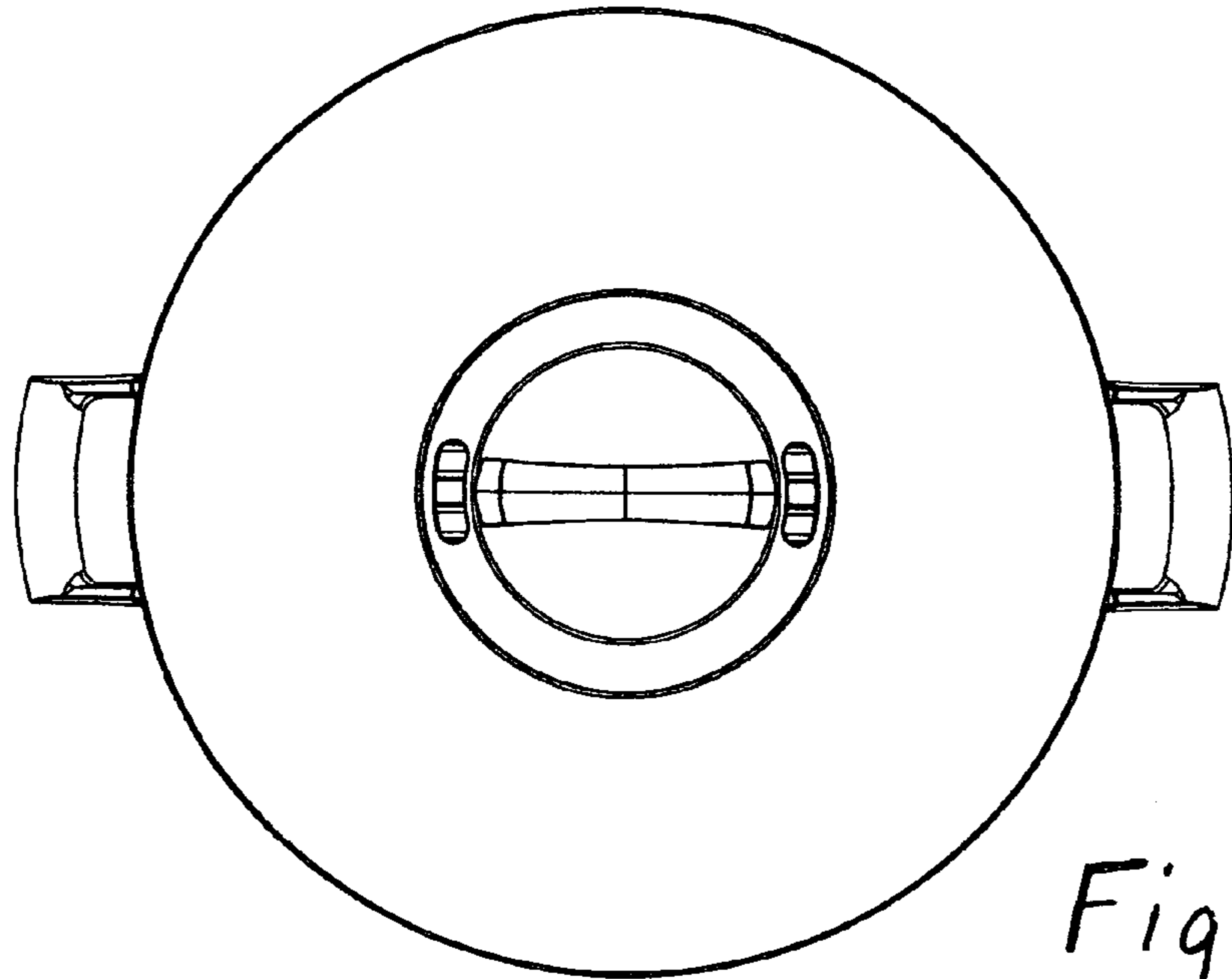


Fig. 3

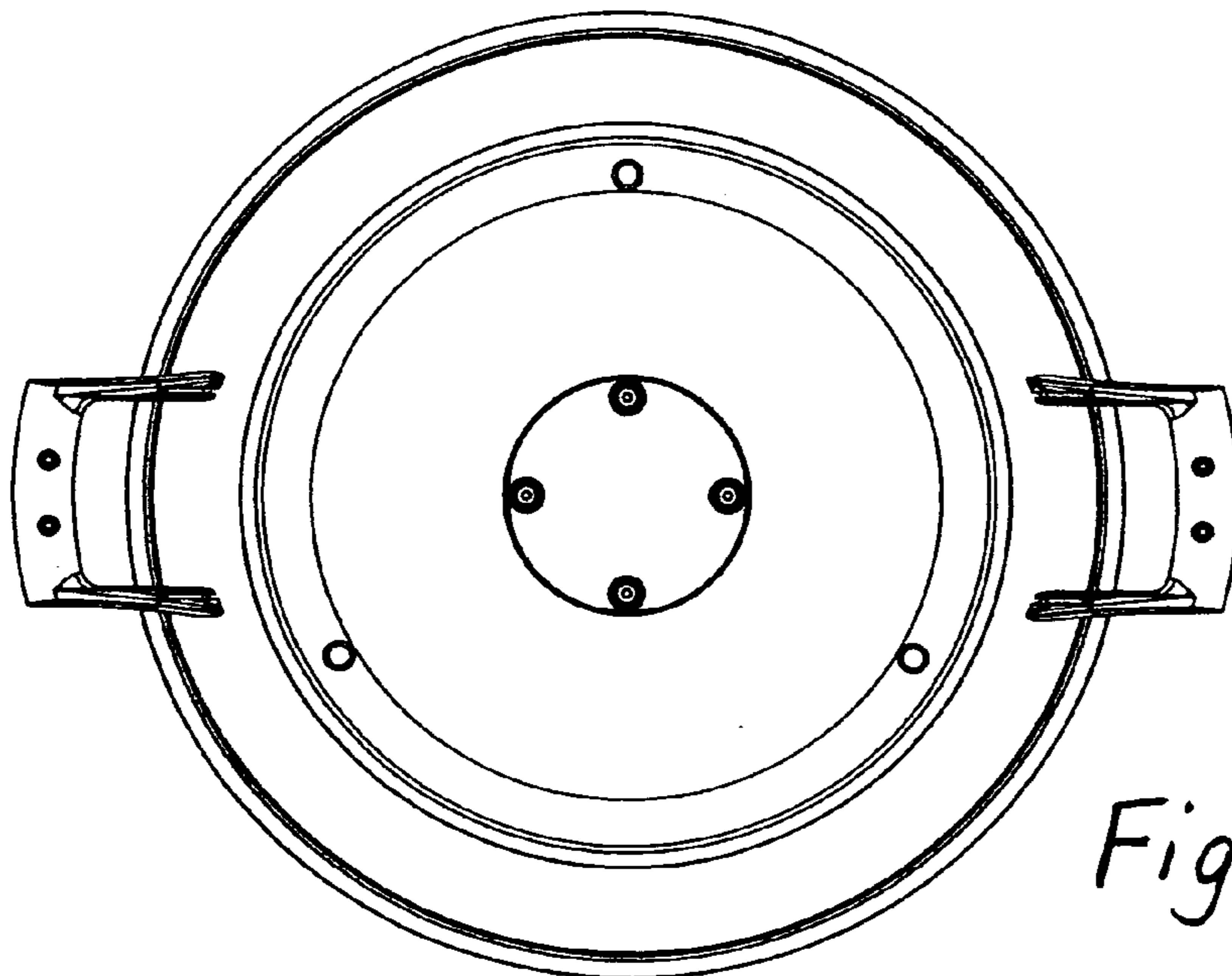


Fig. 4

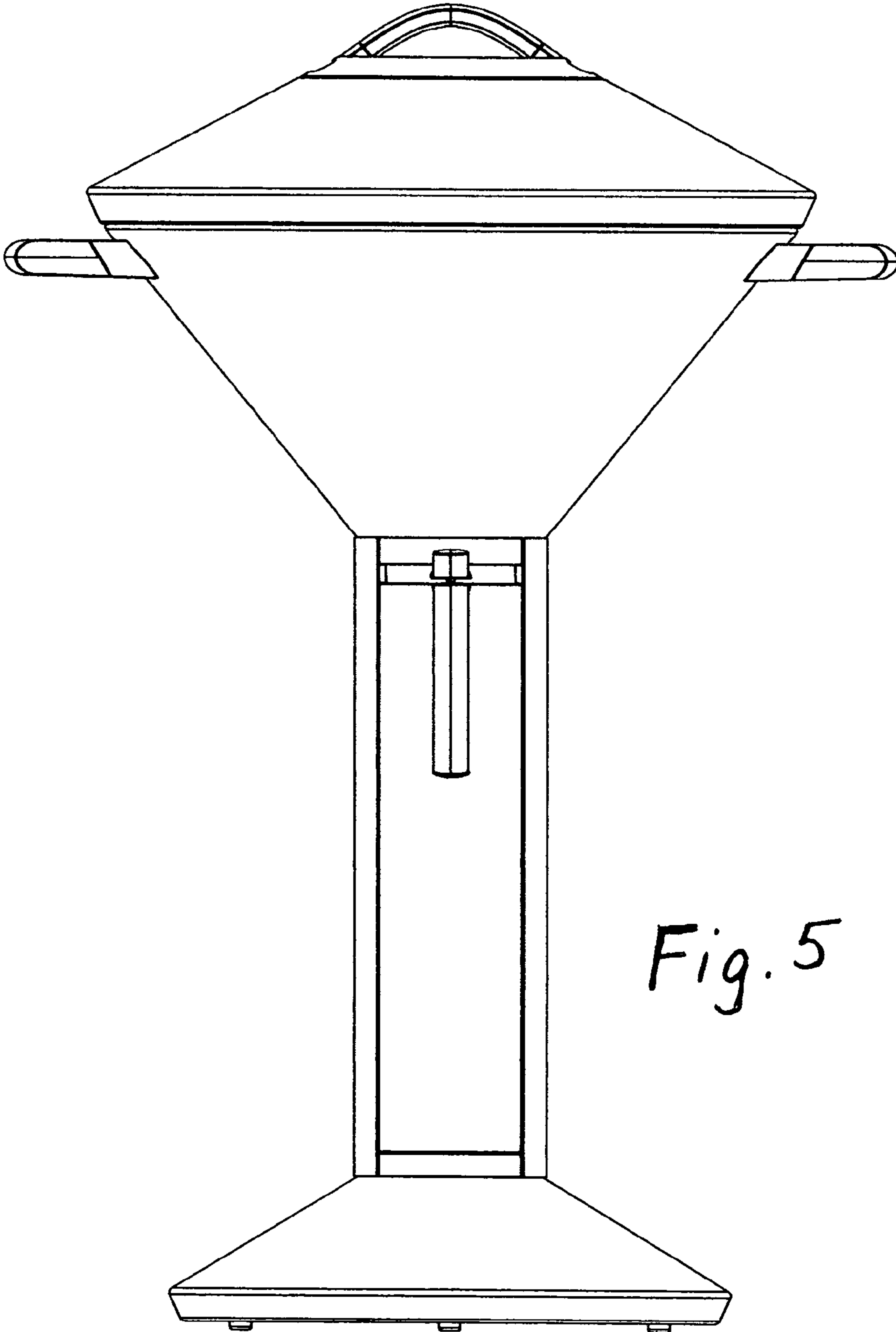


Fig. 5

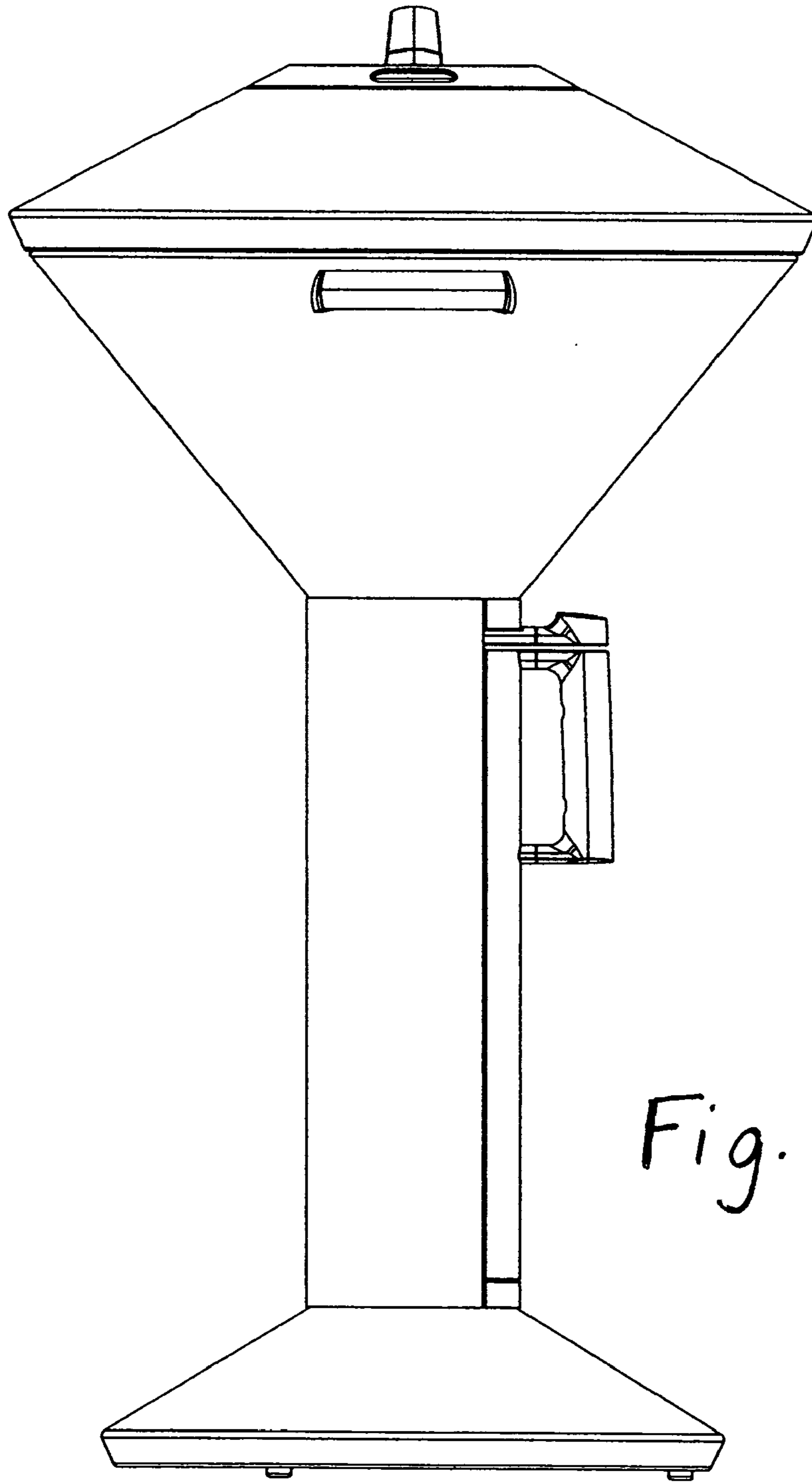


Fig. 6

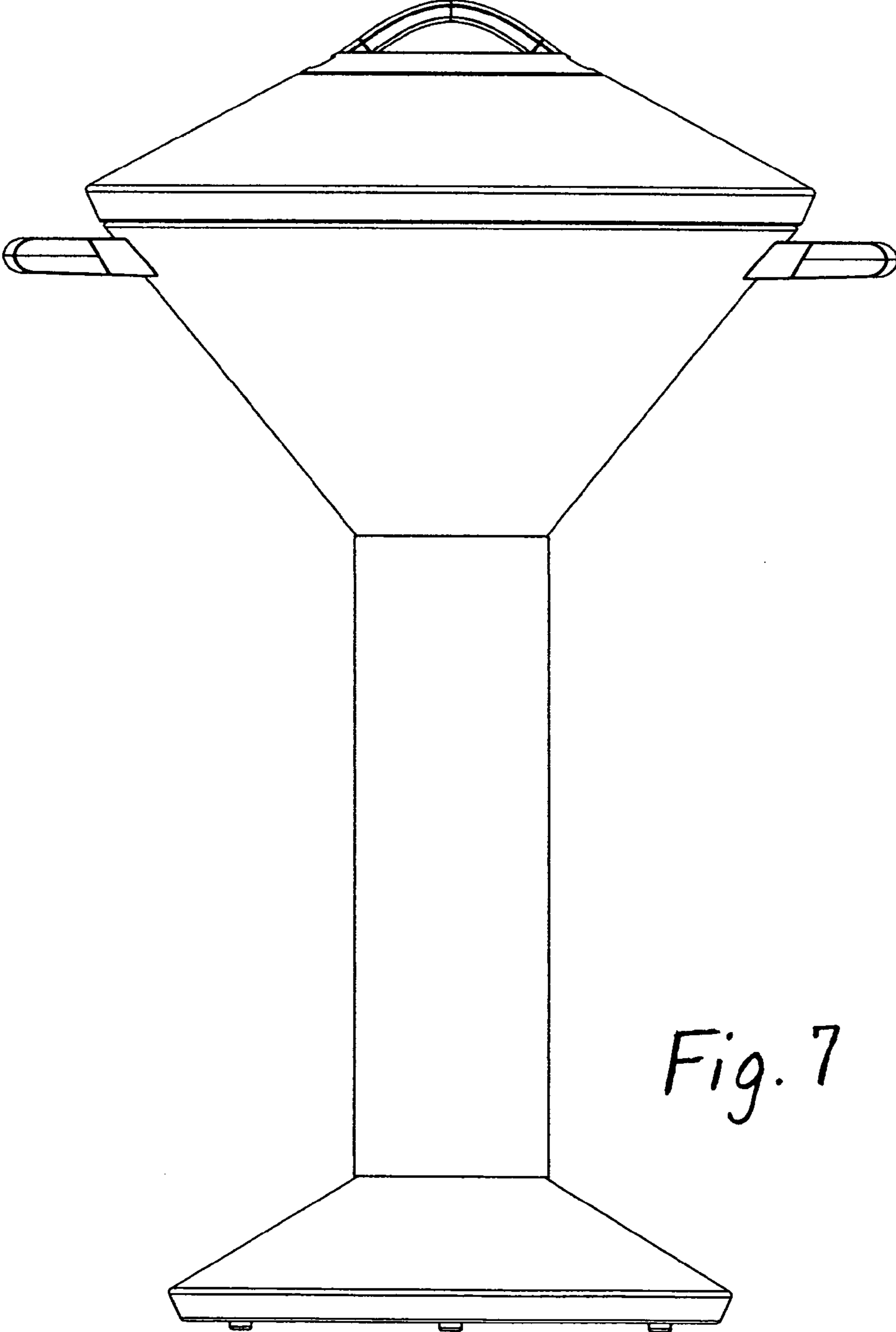


Fig. 7

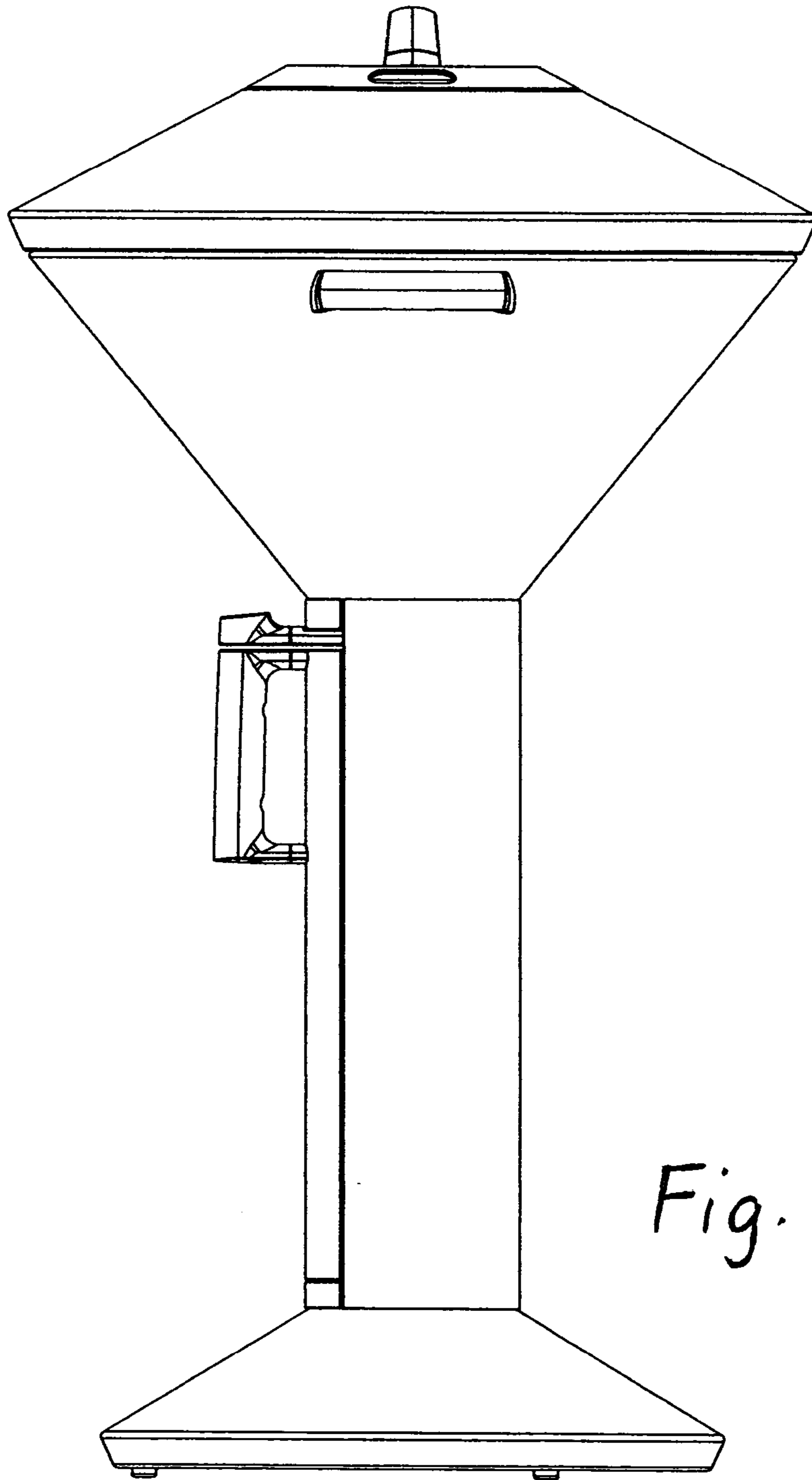


Fig. 8