



US00D567010S

(12) **United States Design Patent**
Pennington et al.

(10) **Patent No.:** **US D567,010 S**

(45) **Date of Patent:** **** Apr. 22, 2008**

(54) **TOASTER**

(75) Inventors: **Stephen Pennington**, Chicago, IL (US);
Augusto Picozza, Boca Raton, FL (US)

(73) Assignee: **Sunbeam Products, Inc.**, Boca Raton,
FL (US)

(**) Term: **14 Years**

(21) Appl. No.: **29/272,539**

(22) Filed: **Feb. 8, 2007**

(51) **LOC (8) Cl.** **07-02**

(52) **U.S. Cl.** **D7/330**

(58) **Field of Classification Search** D7/323,
D7/328-333, 385, 390, 340, 341, 346, 354-365,
D7/367, 402, 405-411; D13/158, 162, 162.1,
D13/163; D21/525; 99/331, 332, 357, 375,
99/385; 219/214, 388, 405, 443.1, 450.1,
219/492

See application file for complete search history.

(56) **References Cited**

U.S. PATENT DOCUMENTS

D394,983 S *	6/1998	Garrett et al.	D7/330
D413,224 S *	8/1999	Cruz et al.	D7/330
D418,003 S *	12/1999	Alonge et al.	D7/330
D421,693 S *	3/2000	Carbone	D7/330

D445,629 S *	7/2001	Davis et al.	D7/330
D473,094 S *	4/2003	Aeshbacher	D7/330
D475,884 S *	6/2003	Holderfield et al.	D7/330
D503,581 S *	4/2005	Wong et al.	D7/330
D509,702 S *	9/2005	Picozza et al.	D7/330
D510,676 S *	10/2005	Picozza et al.	D7/330
D529,753 S *	10/2006	Lynch et al.	D7/330

* cited by examiner

Primary Examiner—Caron D. Veynar

Assistant Examiner—Ricky Pham

(74) *Attorney, Agent, or Firm*—Lawrence J. Shurupoff

(57) **CLAIM**

The ornamental design for a toaster, as shown and described.

DESCRIPTION

FIG. 1 is a top front right perspective view of the toaster showing the new design;

FIG. 2 is a left side elevation view thereof;

FIG. 3 is a front elevation view thereof;

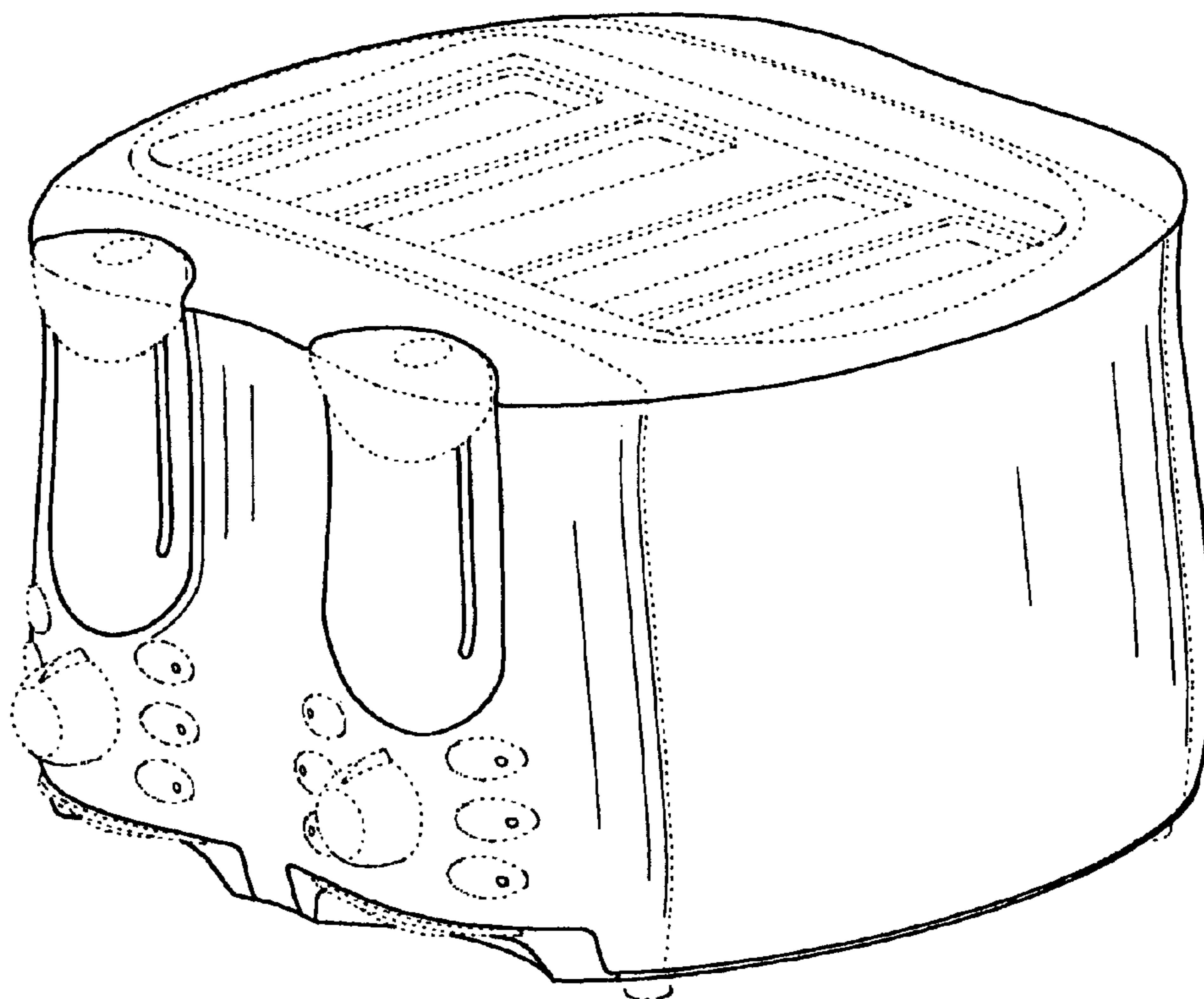
FIG. 4 is a right side elevation view thereof;

FIG. 5 is a rear elevation view thereof; and,

FIG. 6 is a top plan view thereof.

The broken lines in the drawings are for illustrative purposes only and form no art of the claimed design.

1 Claim, 6 Drawing Sheets



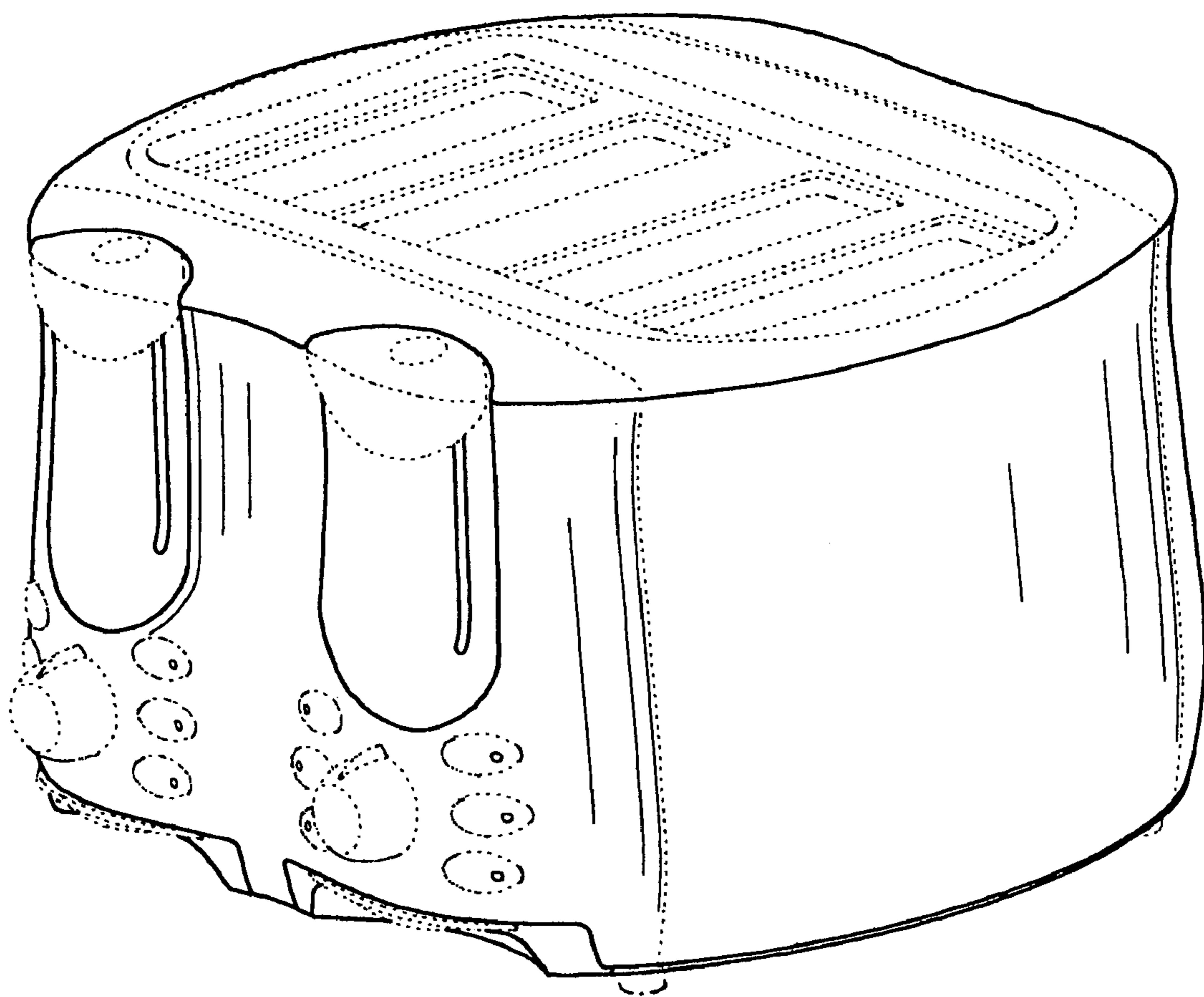


FIG 1

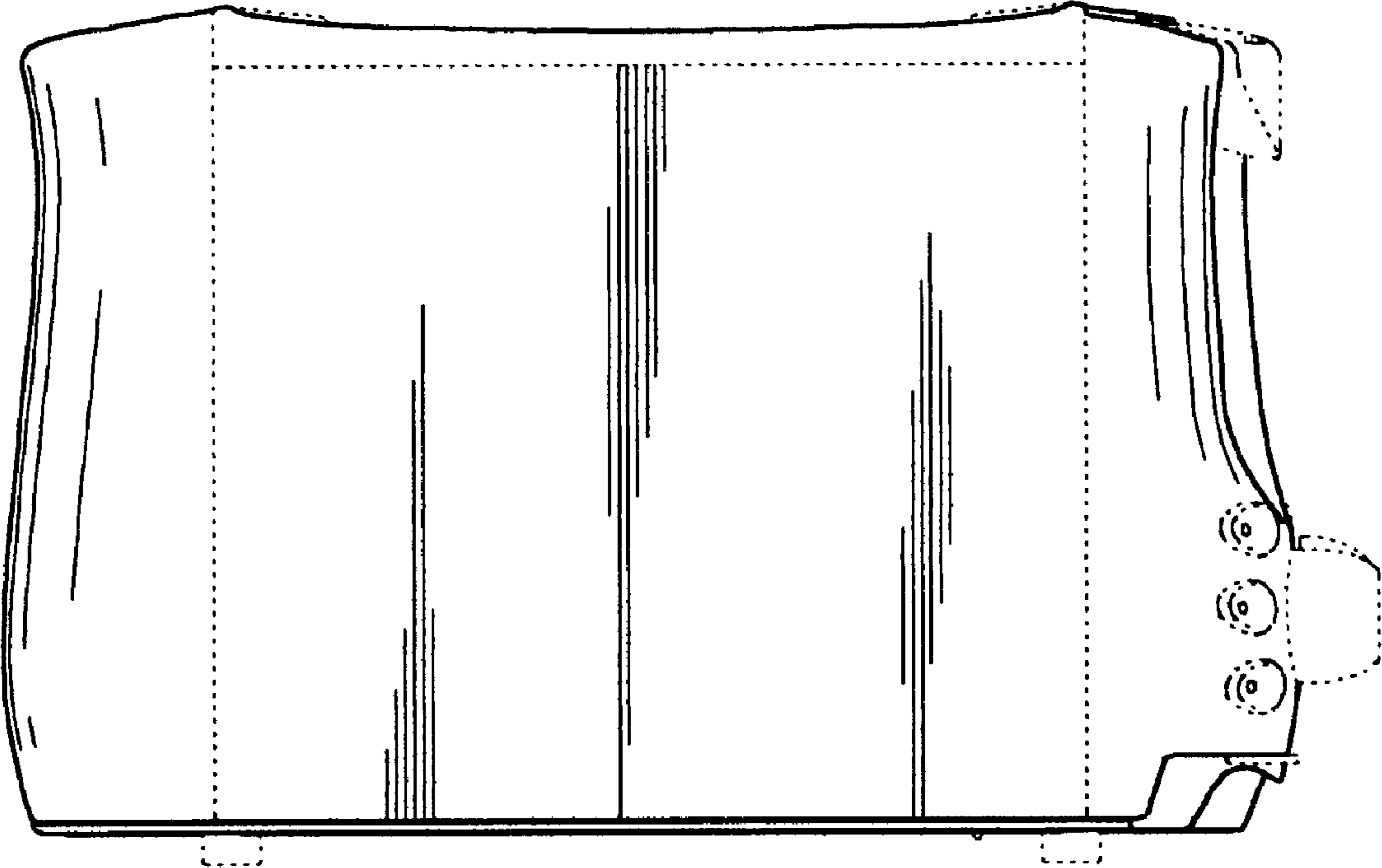


FIG 2

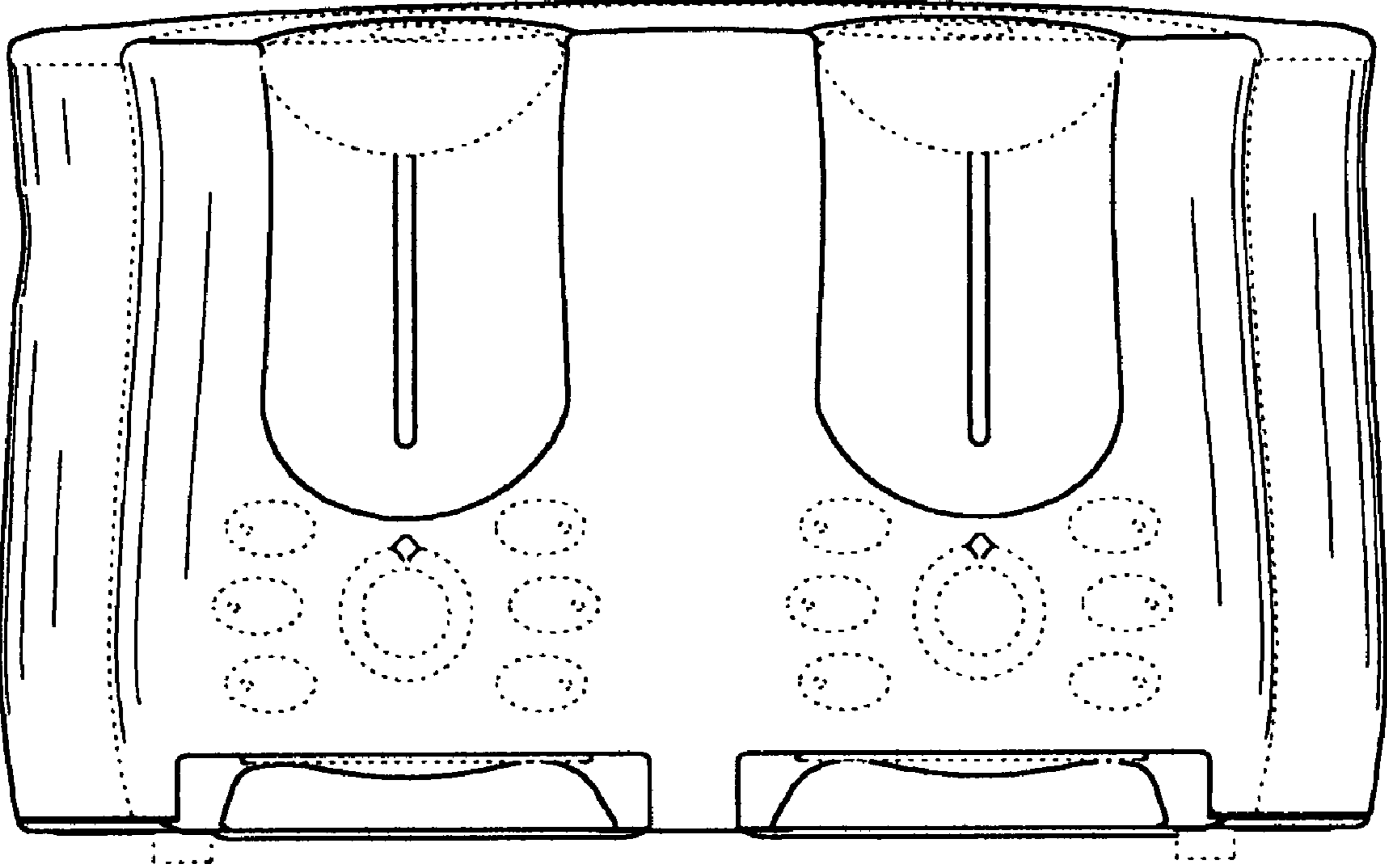


FIG 3

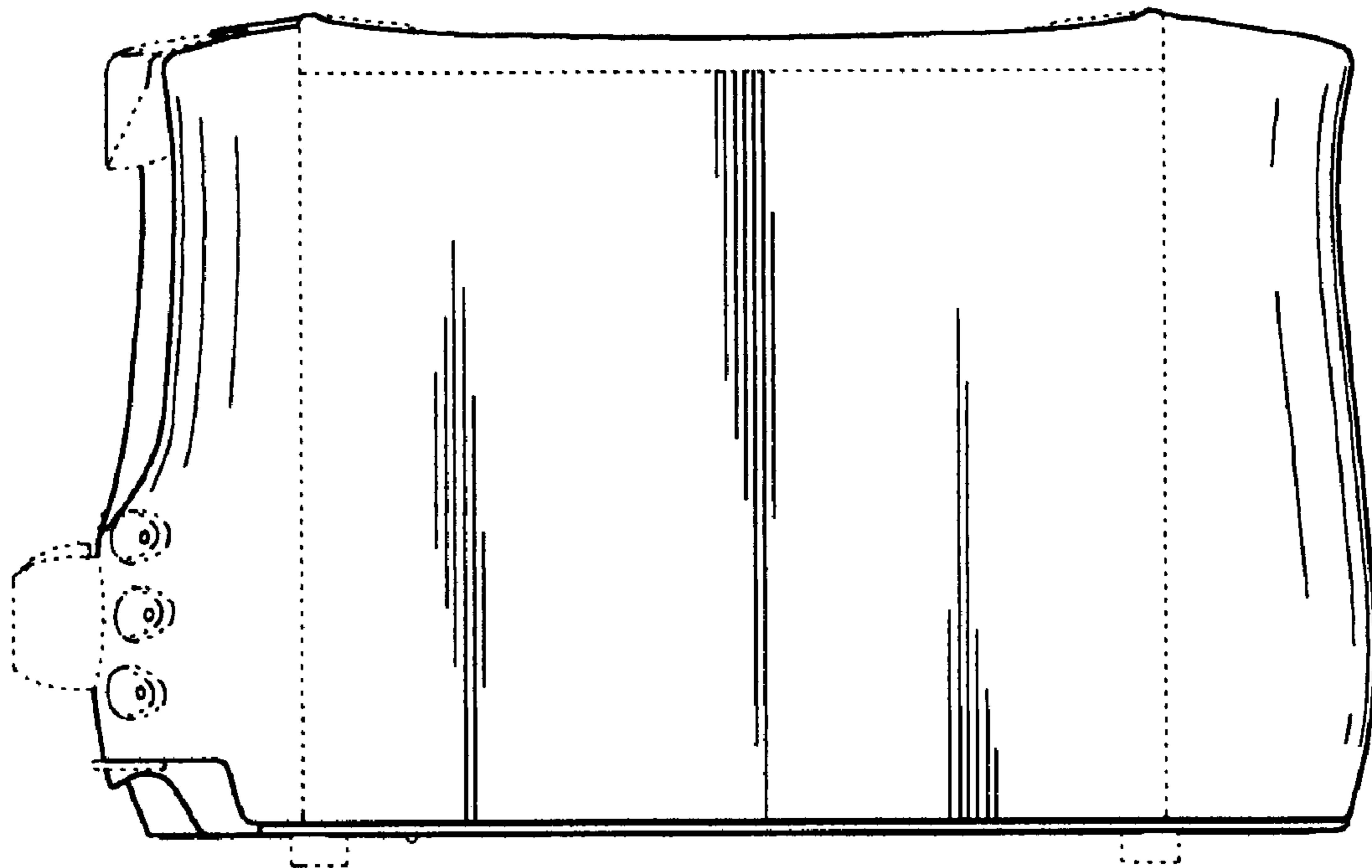


FIG 4

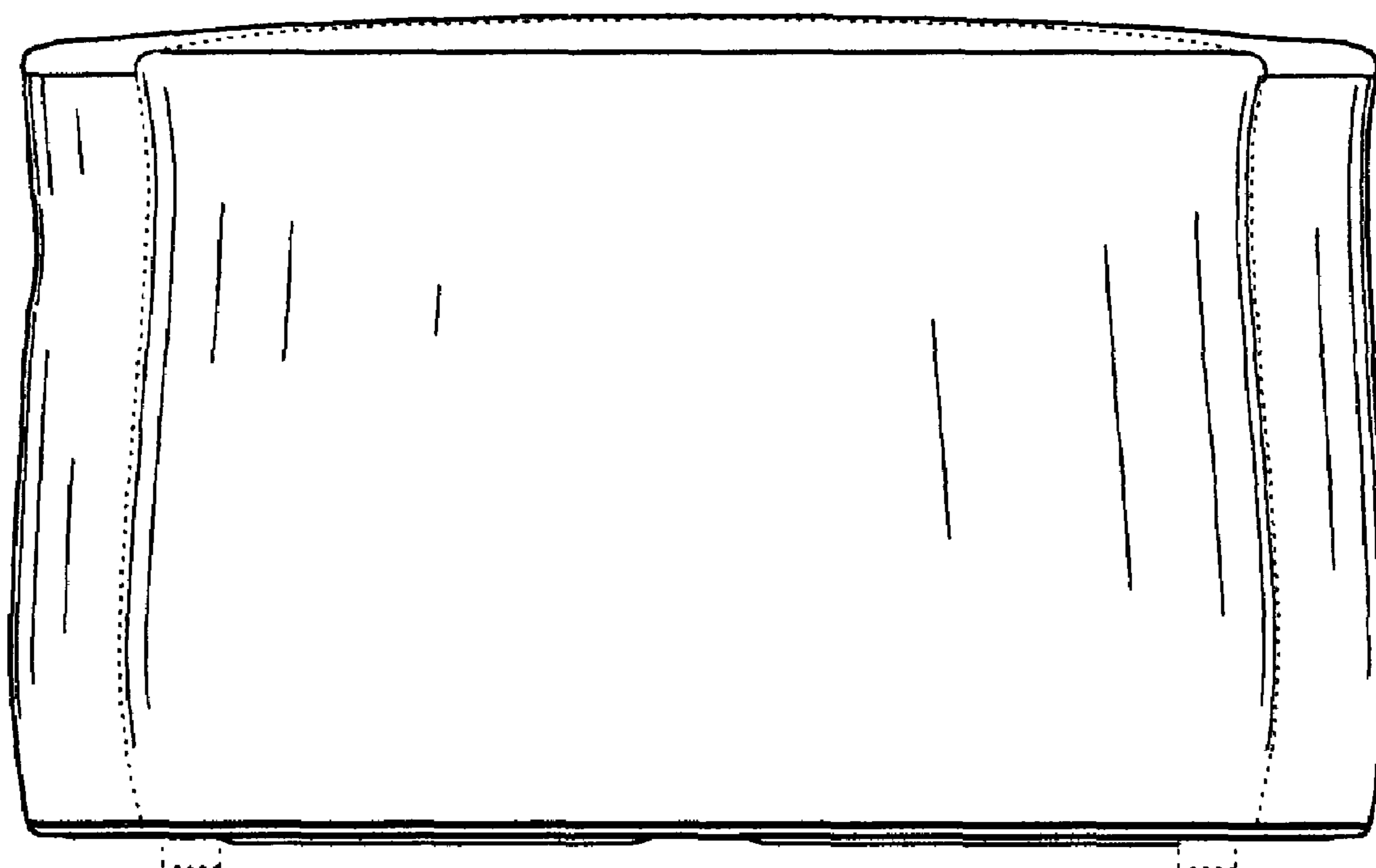


FIG 5

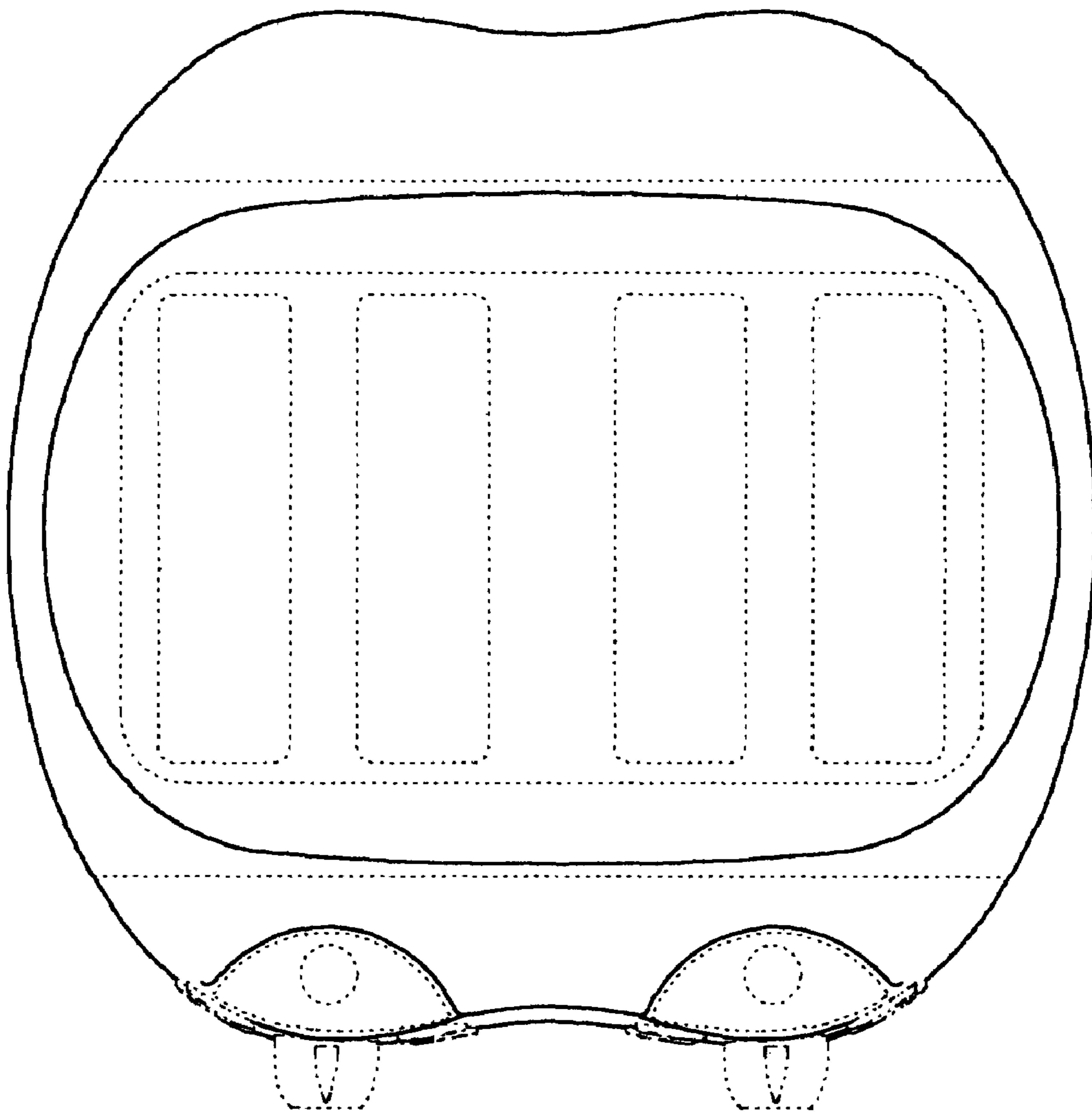


FIG 6