



US00D567006S

(12) **United States Design Patent** (10) **Patent No.:** **US D567,006 S**  
**Bodum** (45) **Date of Patent:** **\*\* Apr. 22, 2008**

(54) **COFFEE MAKER**

*Primary Examiner*—Marianne Pandozzi

(75) Inventor: **Jørgen Bodum**, St. Niklausen (CH)

(74) *Attorney, Agent, or Firm*—Cowan, Liebowitz & Latman, PC

(73) Assignee: **Pi-Design AG**, Triegen (CH)

(57) **CLAIM**

(\*\*) Term: **14 Years**

The ornamental design for a coffee maker, as shown and described.

(21) Appl. No.: **29/275,258**

(22) Filed: **Dec. 19, 2006**

**DESCRIPTION**

(30) **Foreign Application Priority Data**

Nov. 24, 2006 (DK) ..... DA 2006 00313

FIG. 1 is a perspective view of a coffee maker showing my design;

(51) **LOC (8) Cl.** ..... **07-01**

FIG. 2 is a front view thereof;

(52) **U.S. Cl.** ..... **D7/319; D7/317**

FIG. 3 is a back view thereof;

(58) **Field of Classification Search** ..... D7/300,

FIG. 4 is a right side view thereof;

D7/316–319, 312, 533, 536; 99/297, 319;

FIG. 5 is a left side view thereof;

222/146.1

FIG. 6 is a top view thereof;

See application file for complete search history.

FIG. 7 is a bottom view thereof;

(56) **References Cited**

FIG. 8 is a sectional view thereof taken along line 8—8 of FIG. 6.

**U.S. PATENT DOCUMENTS**

D343,333 S \* 1/1994 Jorgensen ..... D7/317

FIG. 9 is a perspective view of a second embodiment of the coffee maker showing my design thereof;

D372,627 S \* 8/1996 Ireland ..... D7/319

FIG. 10 is a front view thereof;

D377,132 S \* 1/1997 Jørgensen ..... D7/318

FIG. 11 is a back view thereof;

D378,261 S \* 3/1997 Jørgensen ..... D7/319

FIG. 12 is a right side view thereof;

D384,539 S \* 10/1997 Joergensen ..... D7/318

FIG. 13 is a left side view thereof;

D386,040 S \* 11/1997 Joergensen ..... D7/317

FIG. 14 is a top view thereof;

D405,642 S \* 2/1999 Toriba ..... D7/319

FIG. 15 is a bottom view thereof; and,

D448,602 S \* 10/2001 Bodum ..... D7/319

FIG. 16 is a cross-sectional view thereof.

D449,760 S \* 10/2001 Yeh ..... D7/319

D458,074 S \* 6/2002 Bodum ..... D7/319

D458,505 S \* 6/2002 Bodum ..... D7/319

D475,568 S \* 6/2003 Bodum ..... D7/319

D493,662 S \* 8/2004 Bodum ..... D7/319

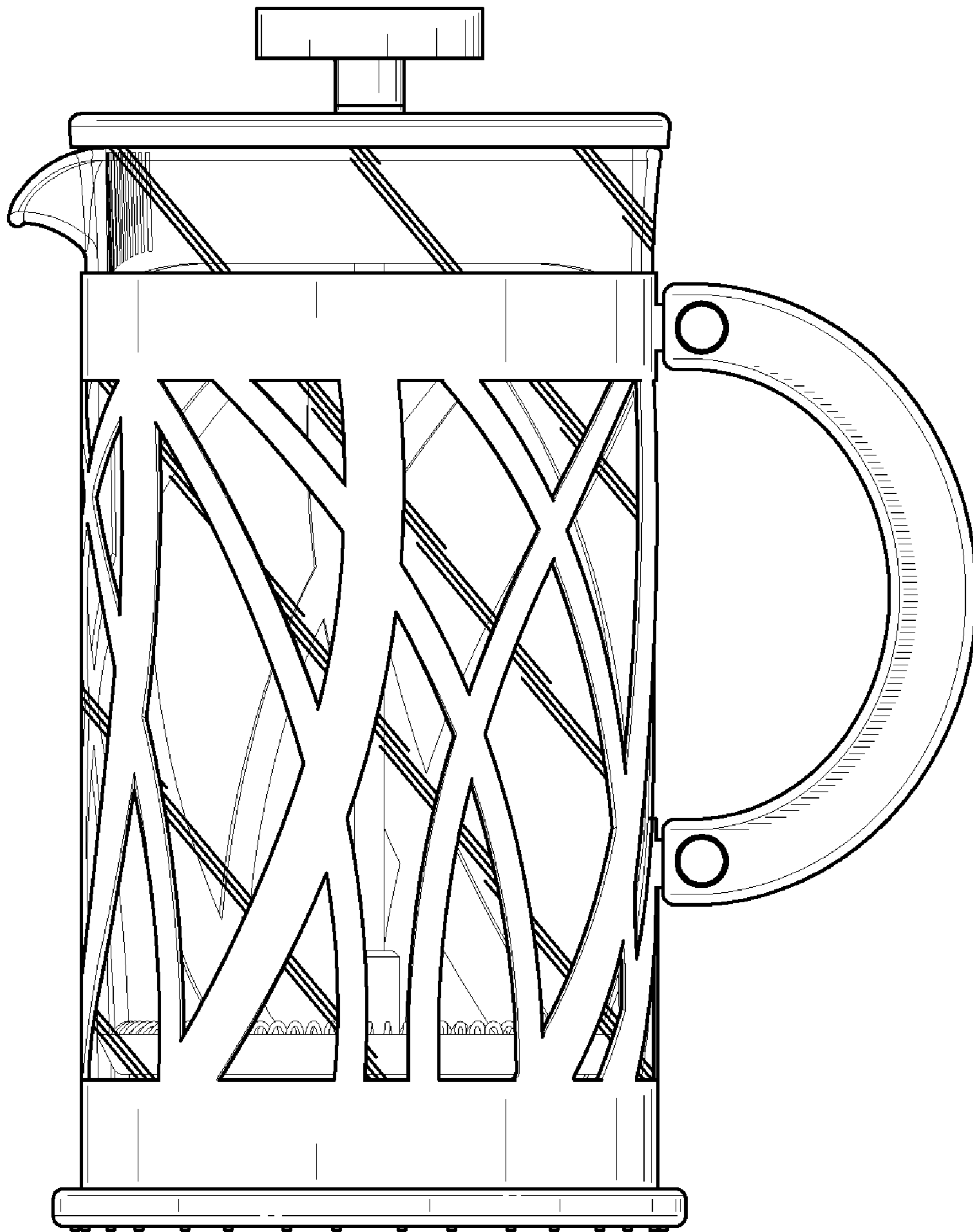
\* cited by examiner

**1 Claim, 16 Drawing Sheets**

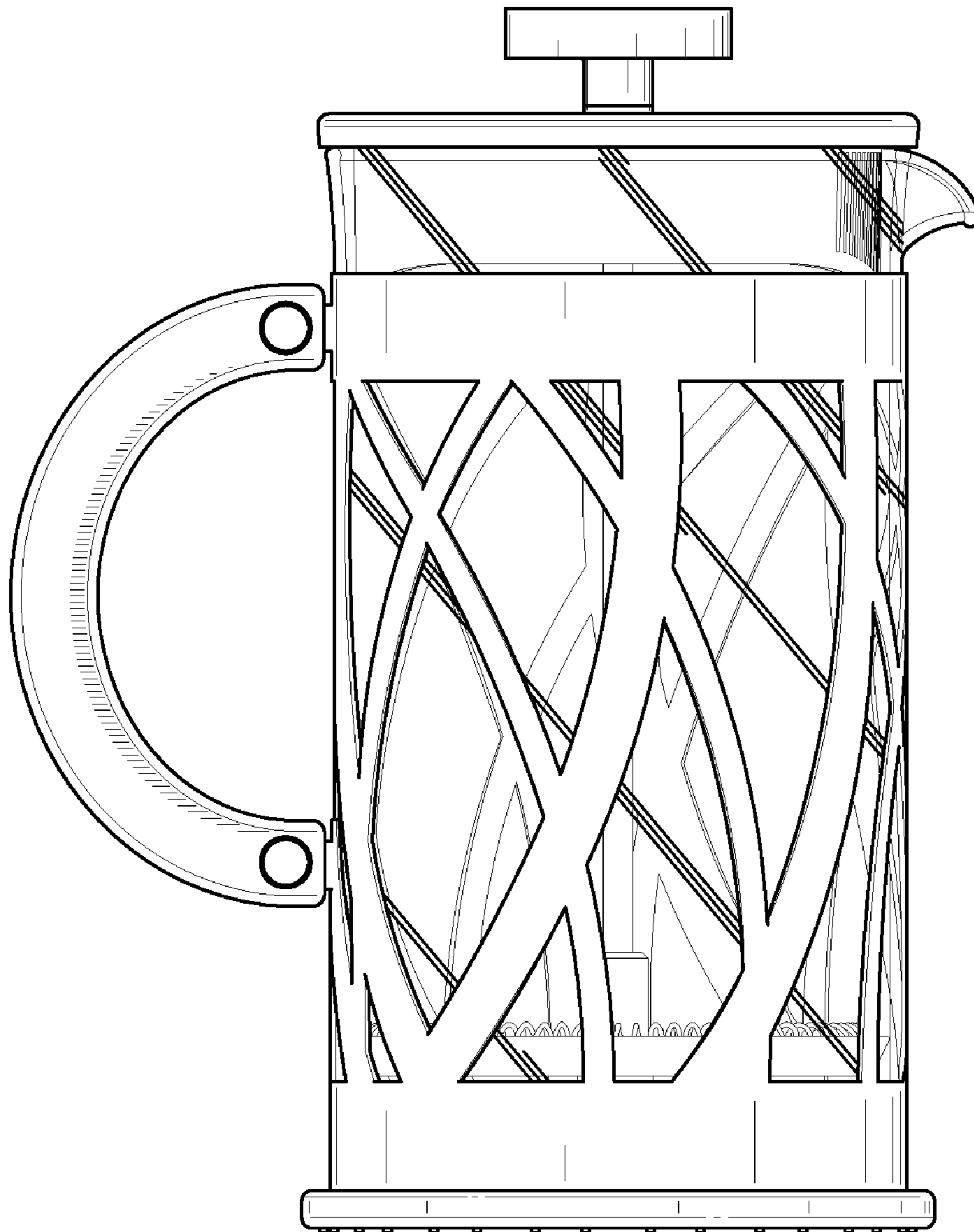




**FIG. 1**



**FIG. 2**



**FIG. 3**

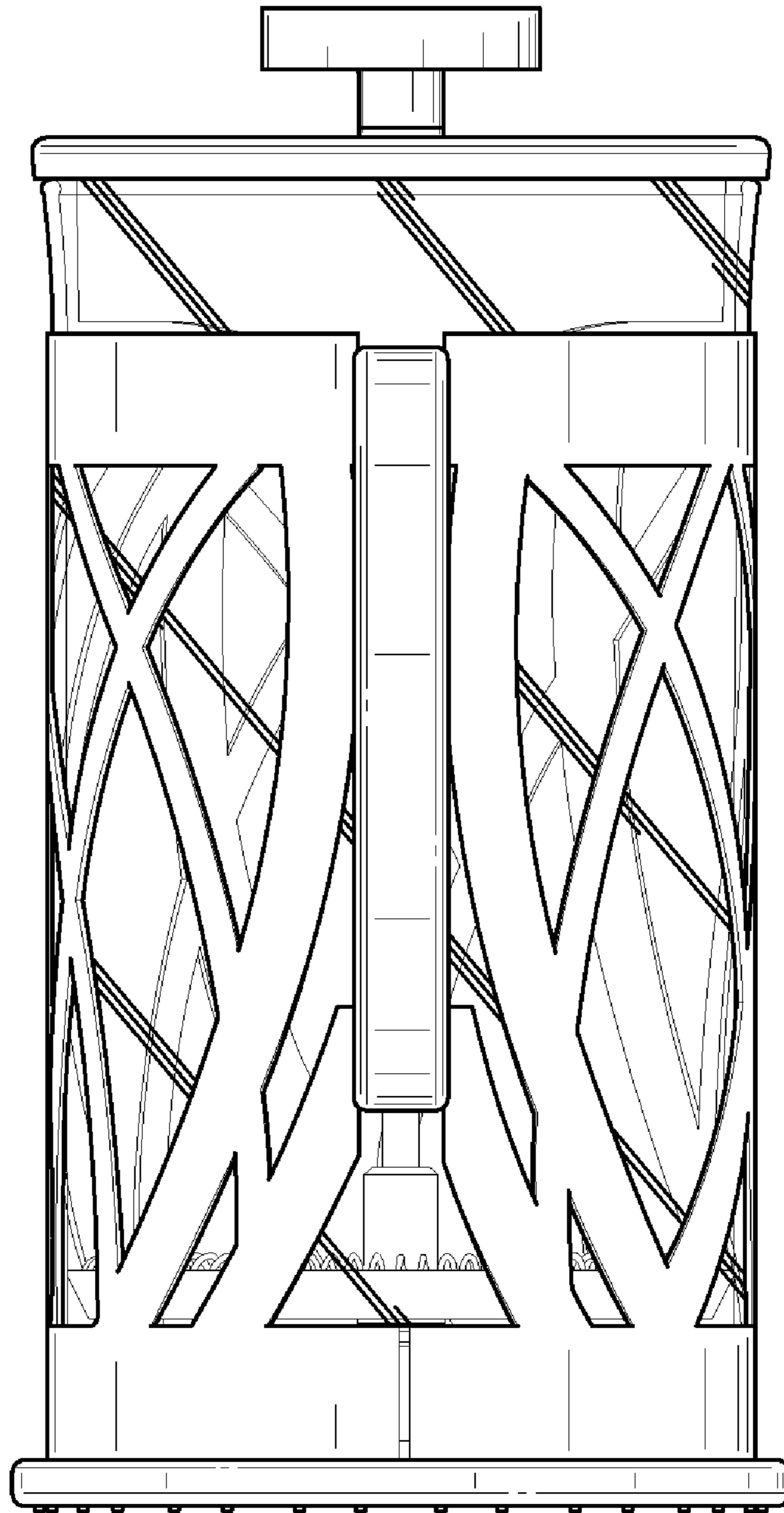
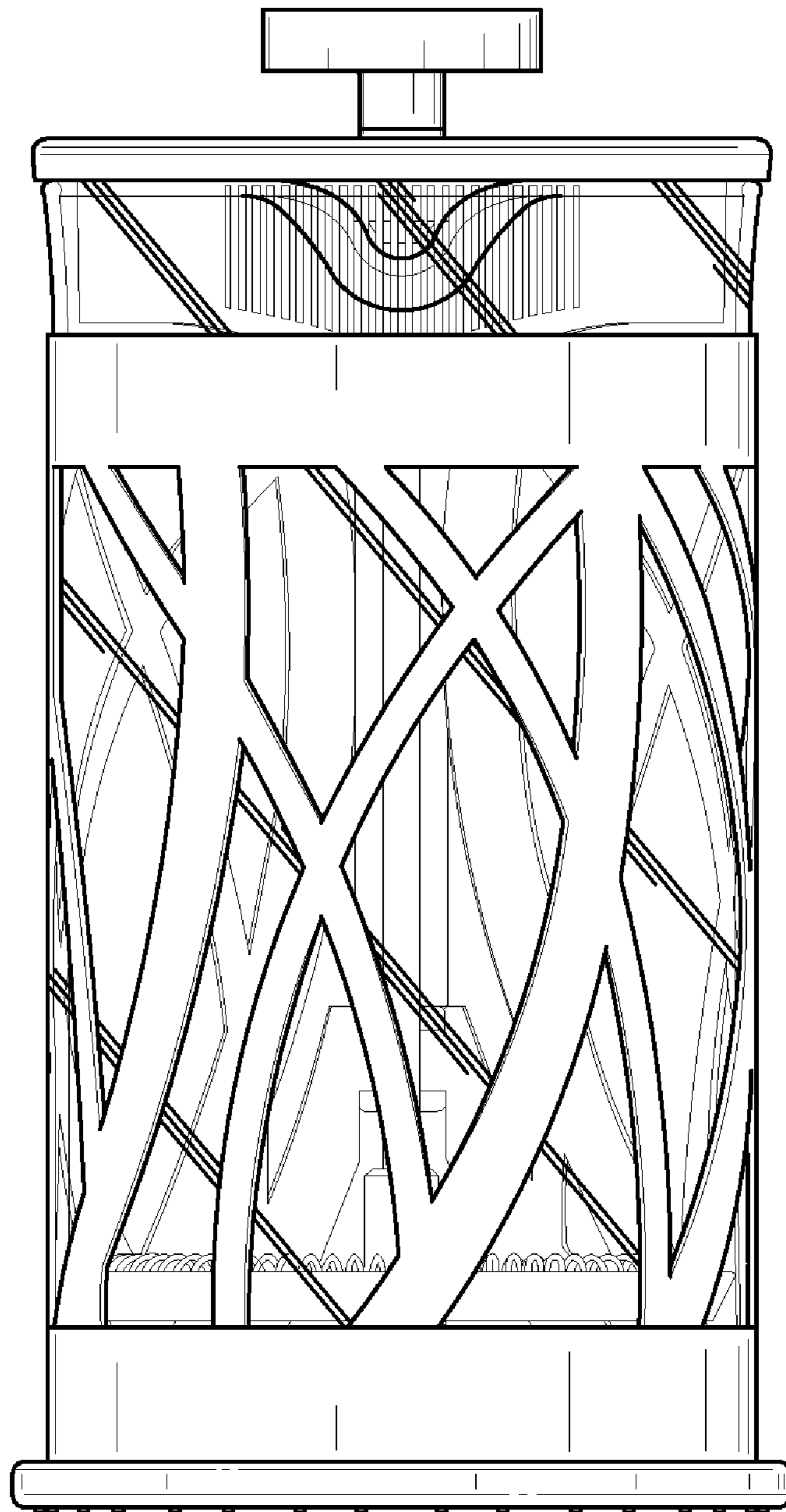


FIG. 4



**FIG. 5**

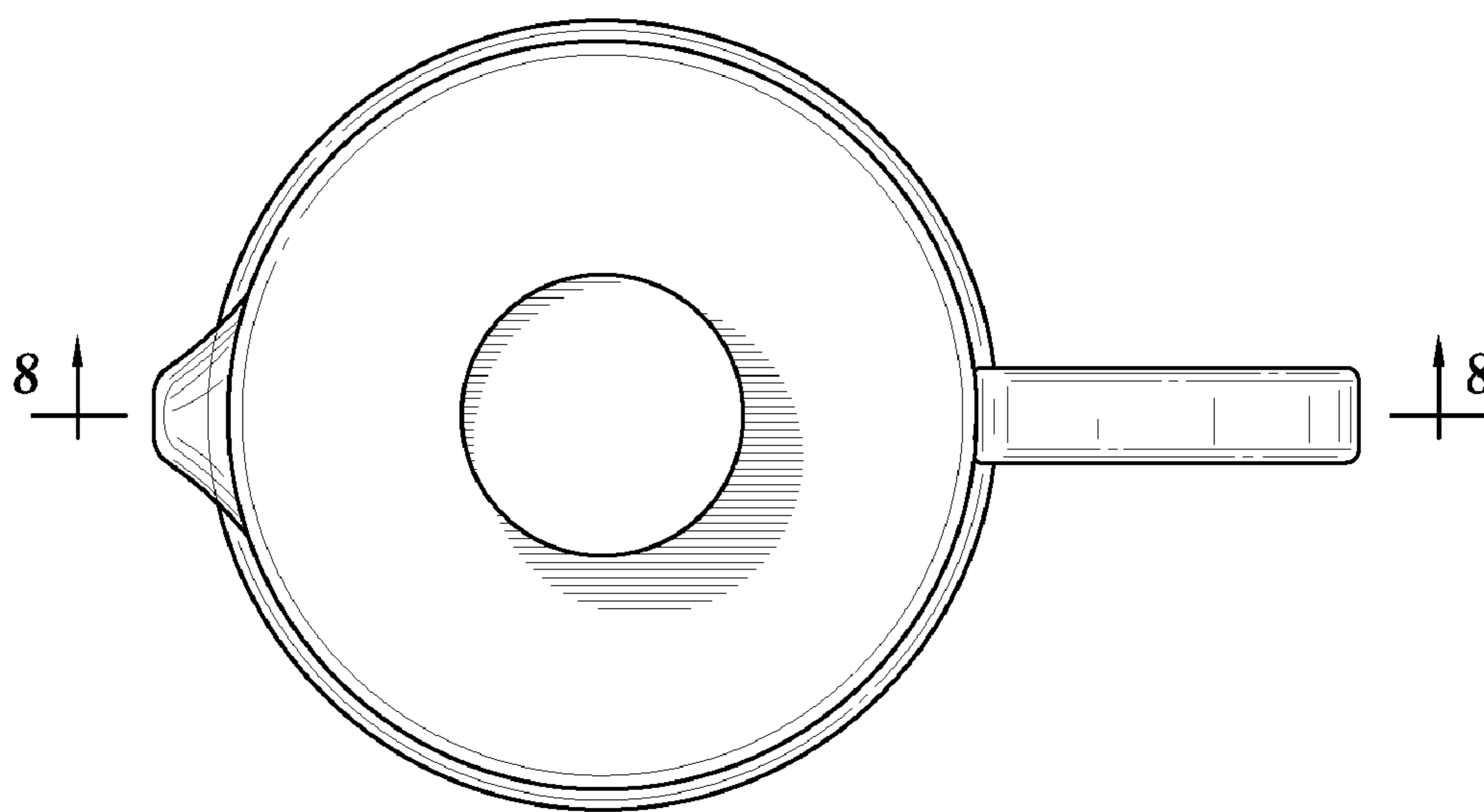
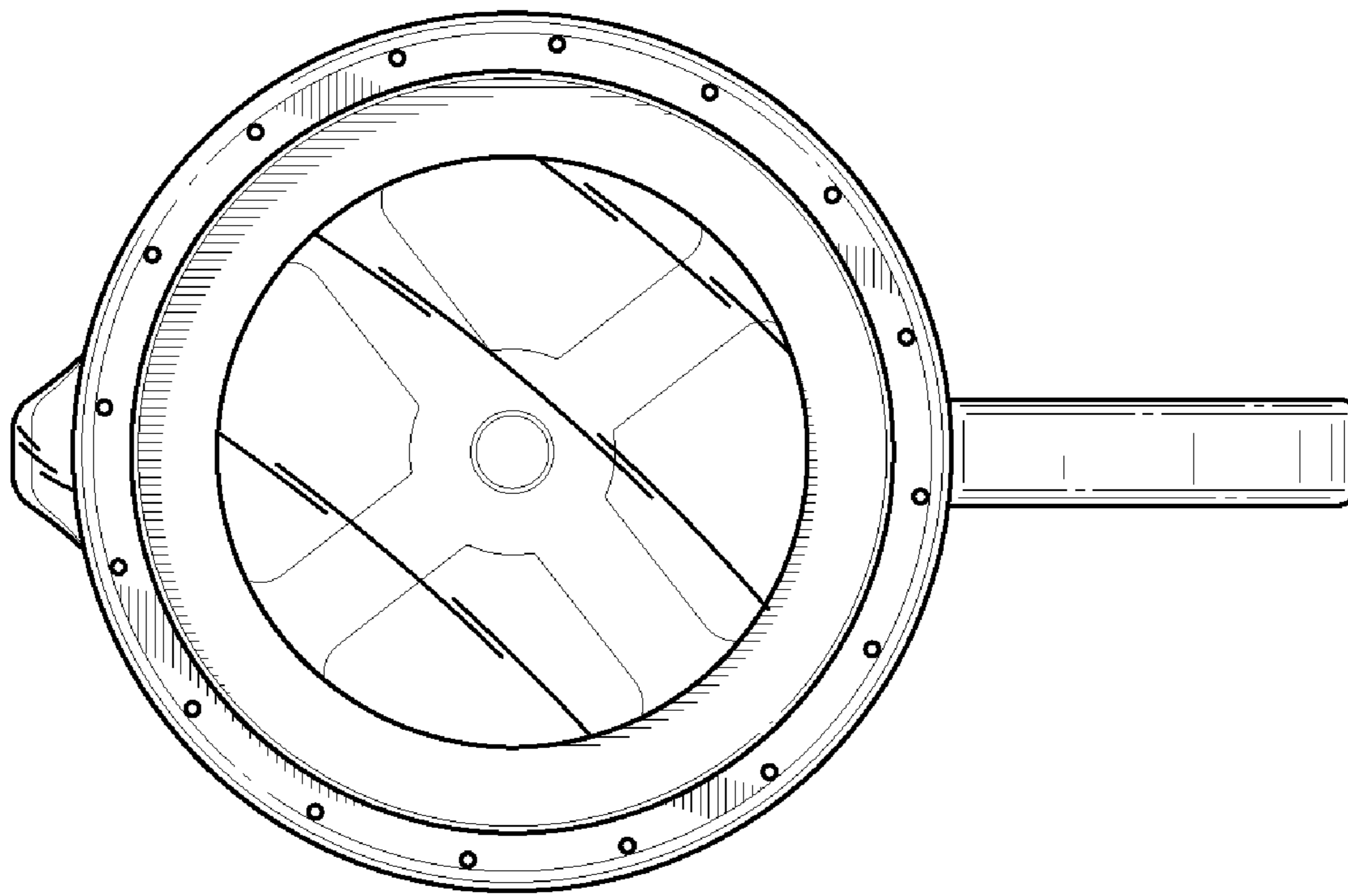


FIG. 6



**FIG. 7**



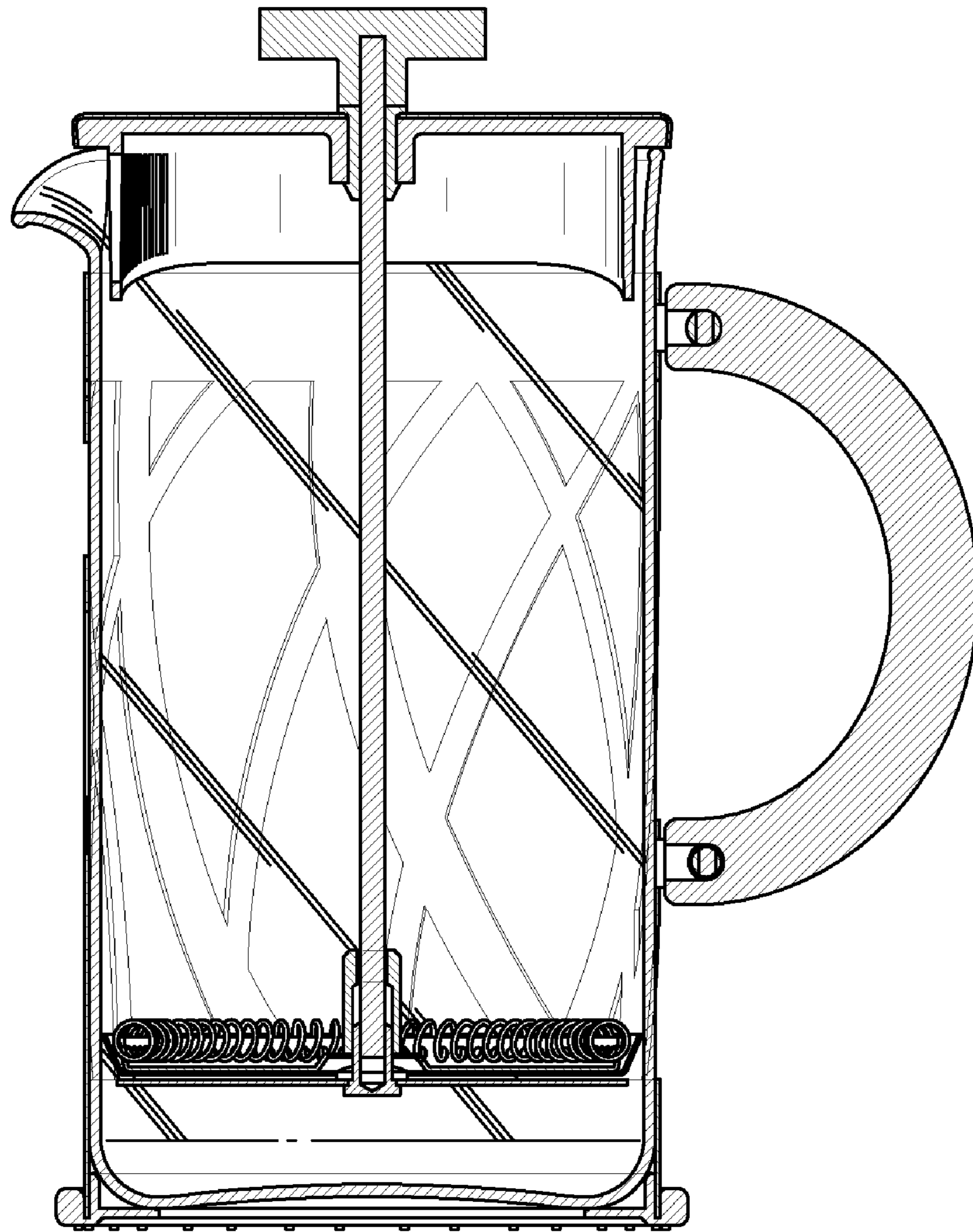
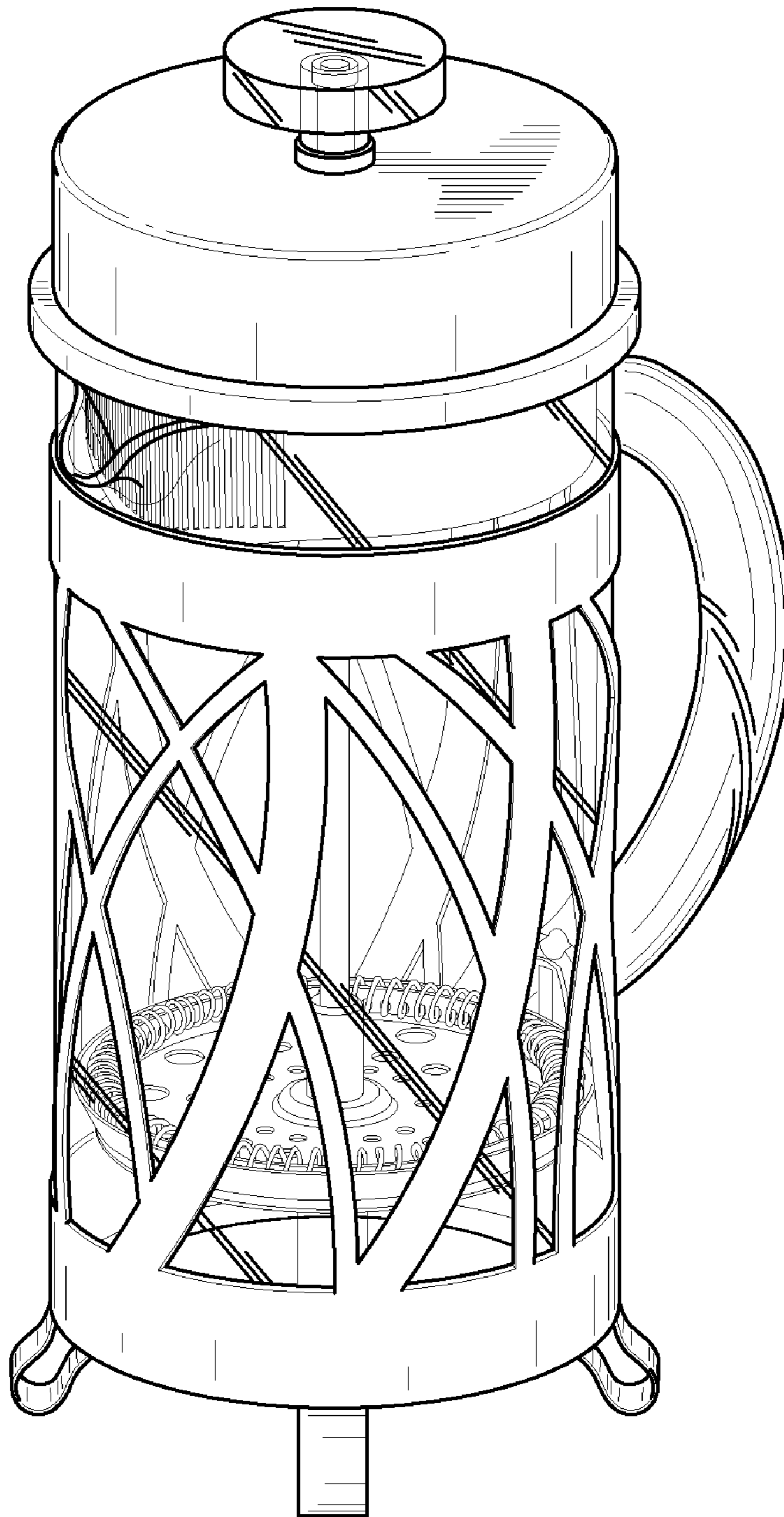
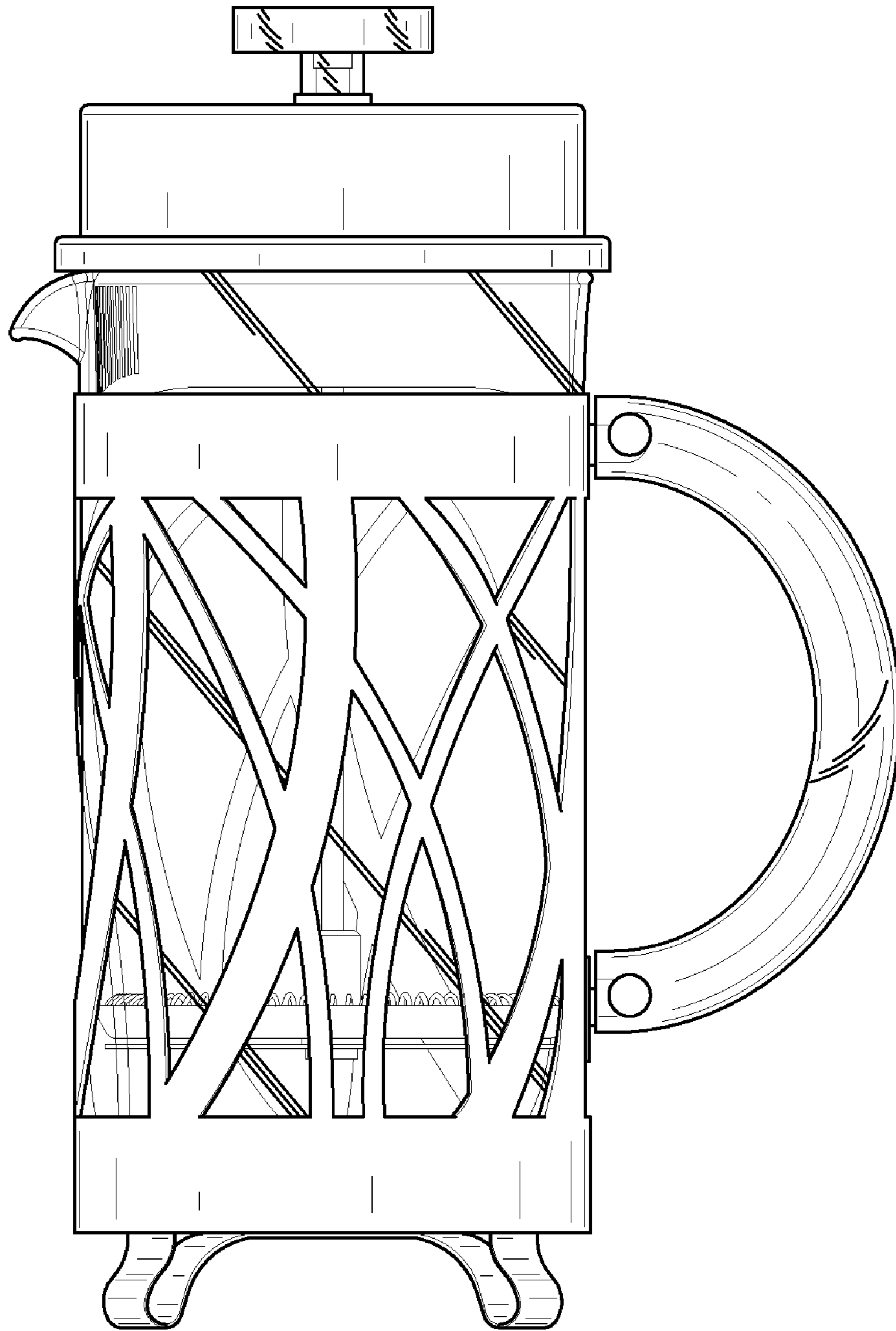


FIG. 8



**FIG. 9**



**FIG. 10**

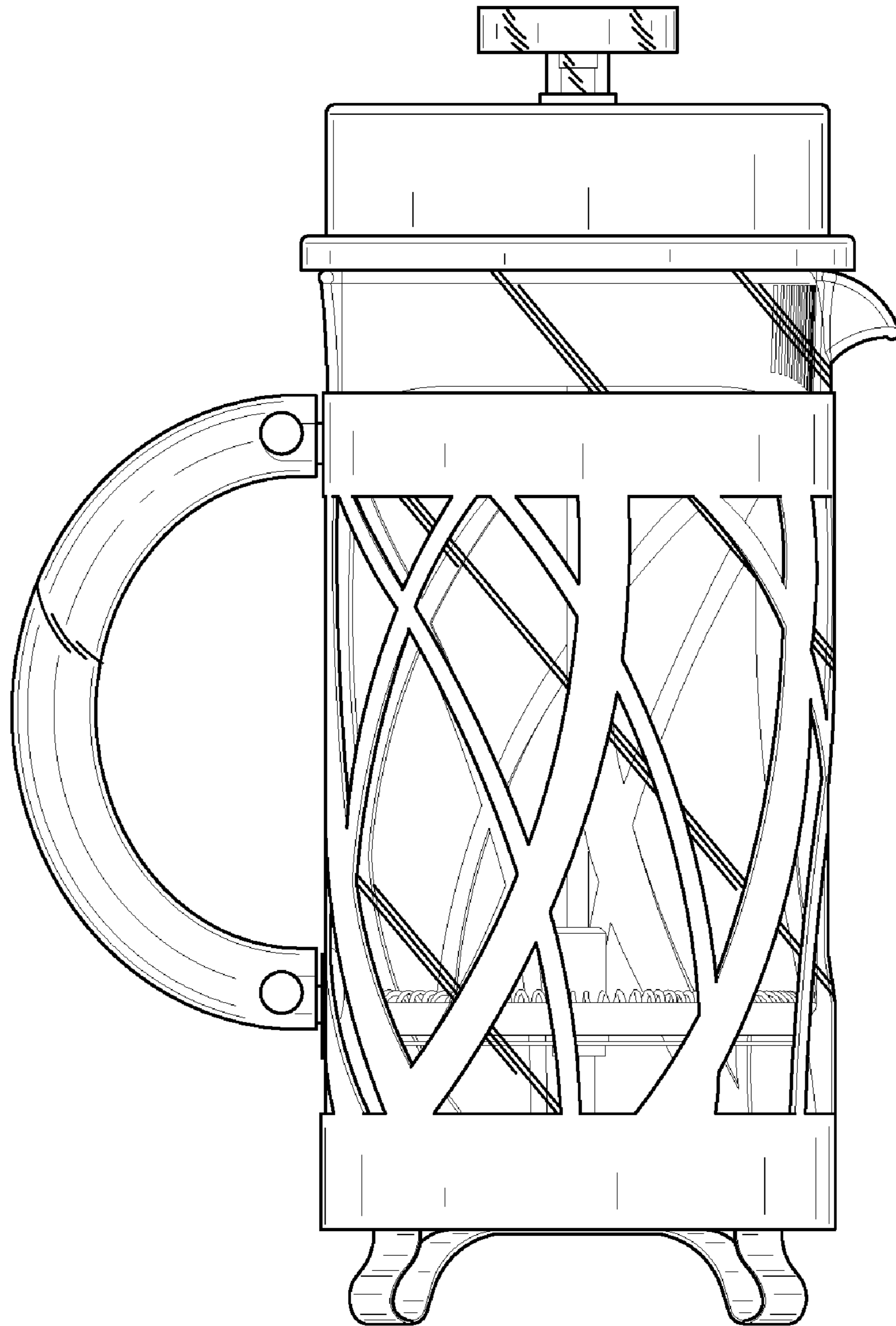
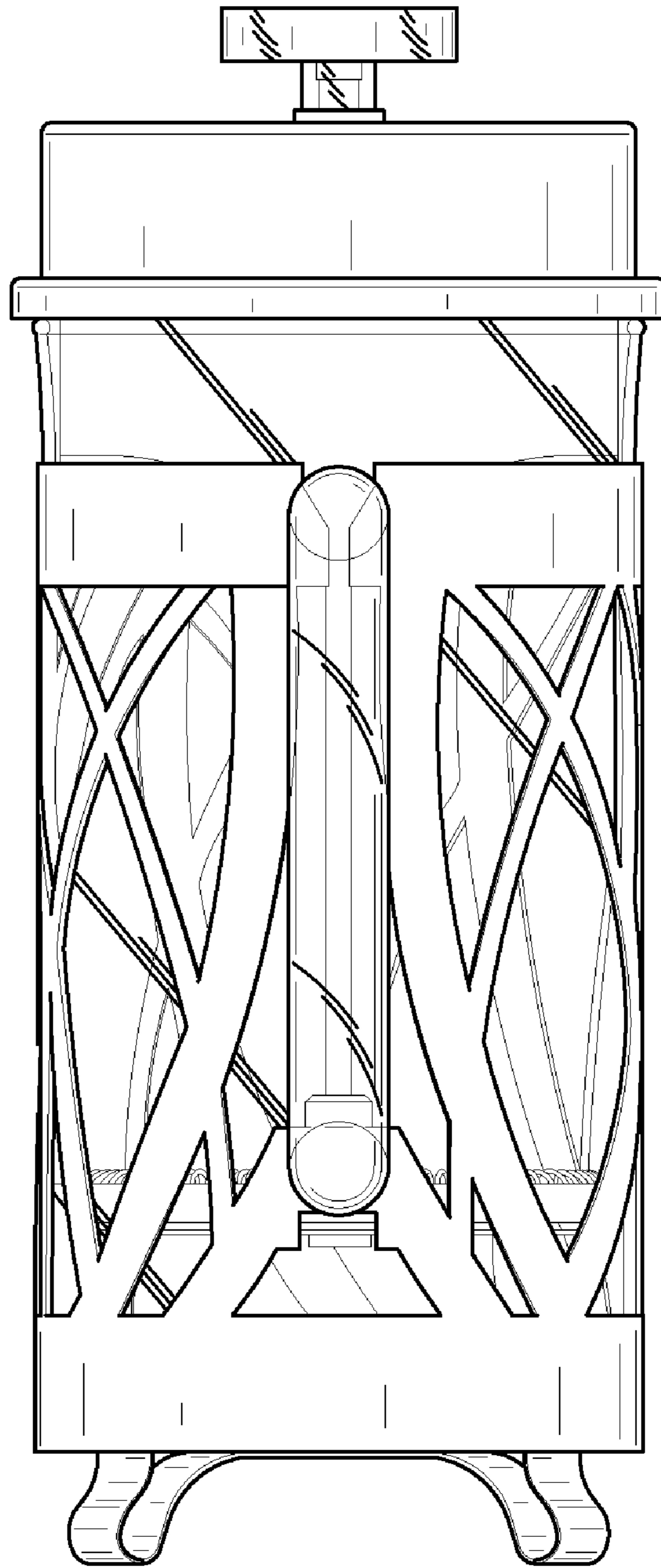


FIG. 11



**FIG. 12**

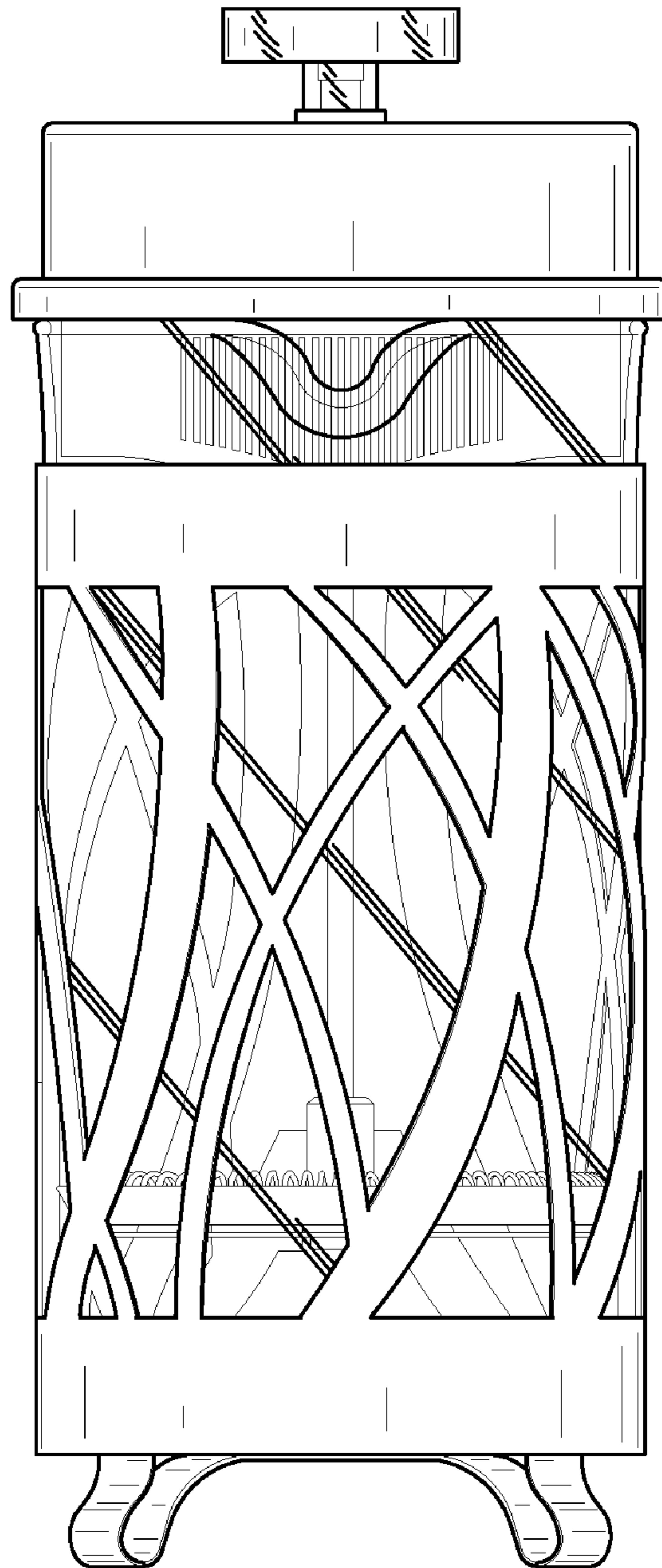


FIG. 13

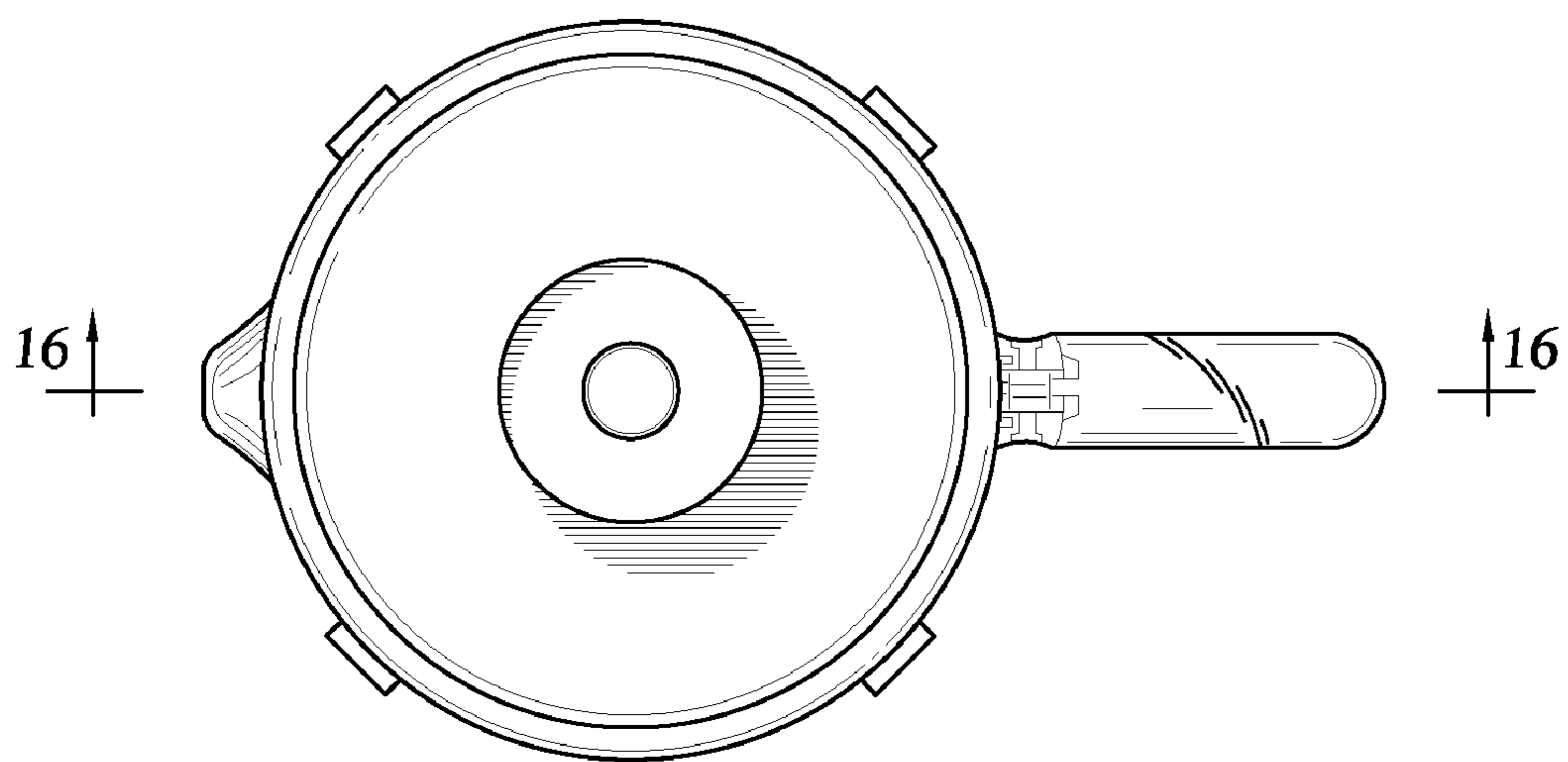


FIG. 14

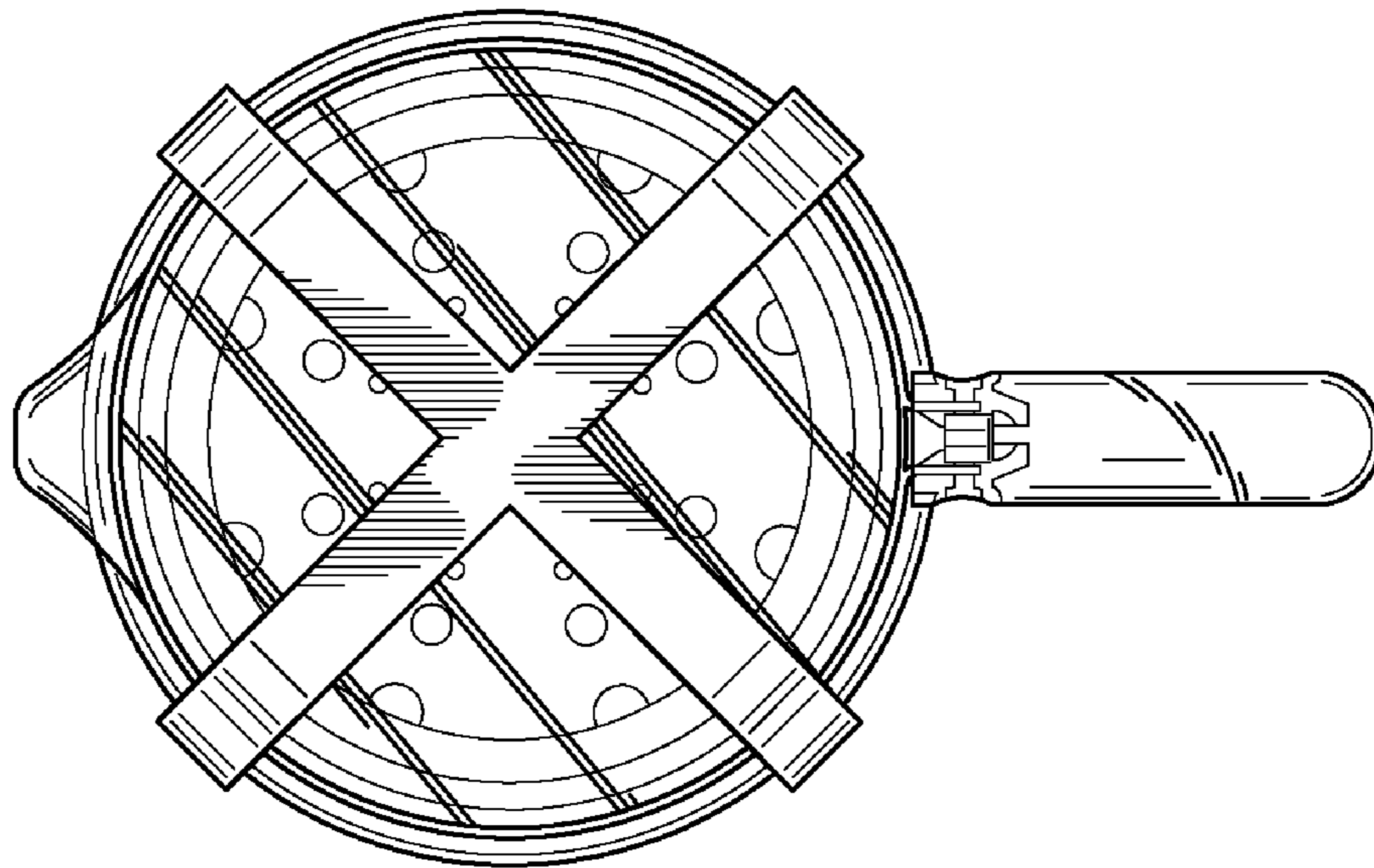


FIG. 15



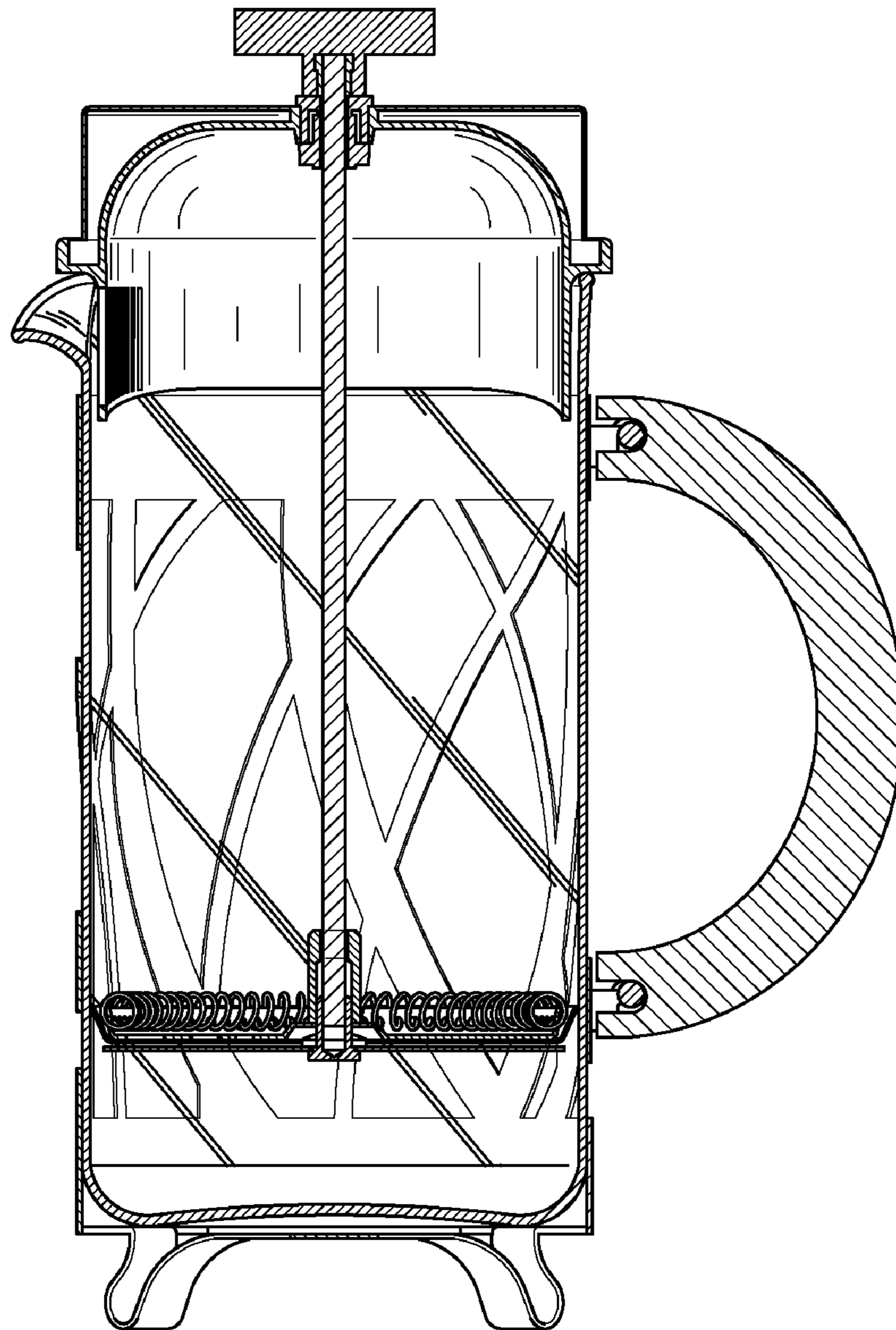


FIG. 16