



US00D567002S

(12) **United States Design Patent**
Allsopp

(10) **Patent No.:** **US D567,002 S**

(45) **Date of Patent:** **** Apr. 22, 2008**

(54) **WINDOW BLIND HEADRAIL**

(75) Inventor: **Reginald Charles Allsopp**, Stockport
(GB)

(73) Assignee: **Louver-Lite Limited**, Hyde Cheshire
(GB)

(**) Term: **14 Years**

(21) Appl. No.: **29/249,699**

(22) Filed: **Oct. 18, 2006**

(30) **Foreign Application Priority Data**

Sep. 22, 2006 (AU) 14268/06

(51) **LOC (8) Cl.** **06-10**

(52) **U.S. Cl.** **D6/580**

(58) **Field of Classification Search** D6/575,
D6/577, 580; D25/119; 160/38, 168, 168 R
See application file for complete search history.

(56) **References Cited**

U.S. PATENT DOCUMENTS

- D361,010 S * 8/1995 Hebsgaard D6/580
- D439,461 S * 3/2001 Brunell D6/580
- D440,444 S * 4/2001 Sonnenberg et al. D6/580
- D443,457 S * 6/2001 Horsten D6/580
- 6,651,721 B2 * 11/2003 Allsopp 160/168.1 V

- D486,340 S * 2/2004 Sudano D6/577
- D502,037 S * 2/2005 Nien D6/580
- D541,094 S * 4/2007 Yu et al. D6/580

* cited by examiner

Primary Examiner—T. Chase Nelson

Assistant Examiner—Barbara B Lohr

(74) *Attorney, Agent, or Firm*—Haugen Law Firm PLLP

(57) **CLAIM**

The ornamental design for a window blind headrail, as shown and described.

DESCRIPTION

- FIG. 1 is an end view of the design;
- FIG. 2 is a bottom view of the design;
- FIG. 3 is a right side view of the design;
- FIG. 4 is a top view of the design;
- FIG. 5 is an upper right perspective view of the design; and,
- FIG. 6 is an upper left perspective view of the design.

The window blind headrail has been shown broken away in order to indicate that a specific length of window blind headrail forms no part of the claimed design. The broken line defining the breakaway also forms no part of the claimed design.

1 Claim, 4 Drawing Sheets

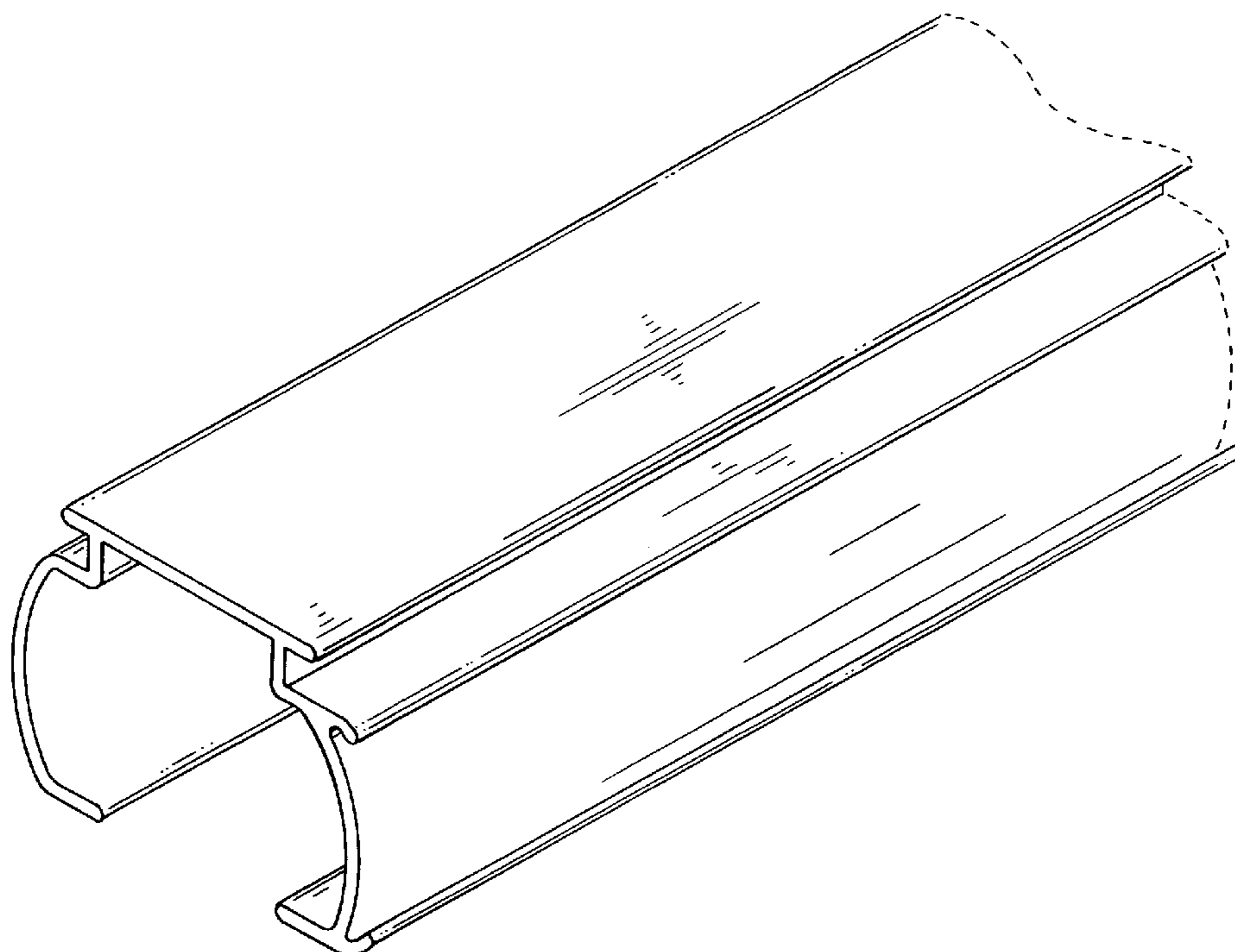


Fig.-1

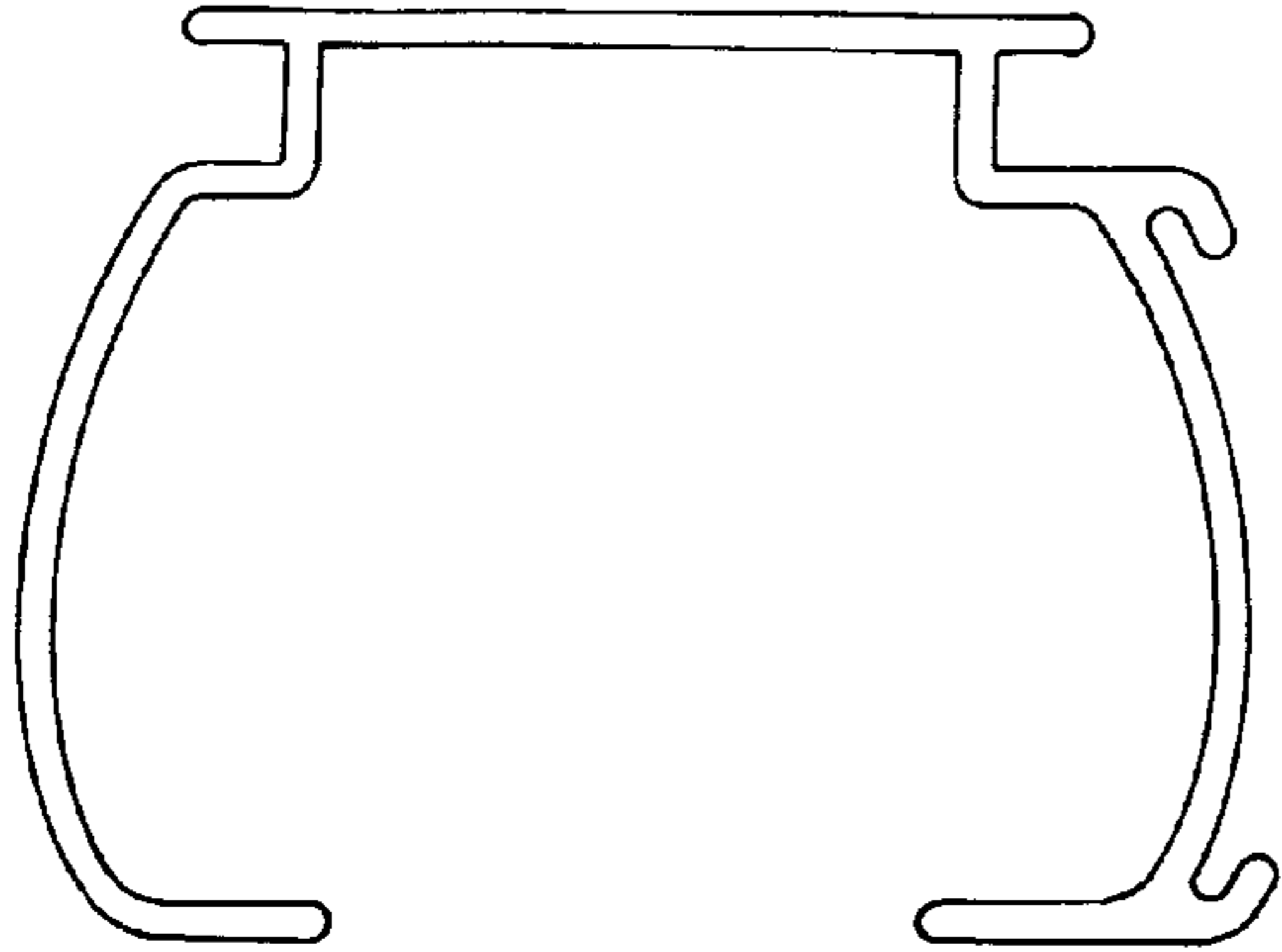


Fig.-2

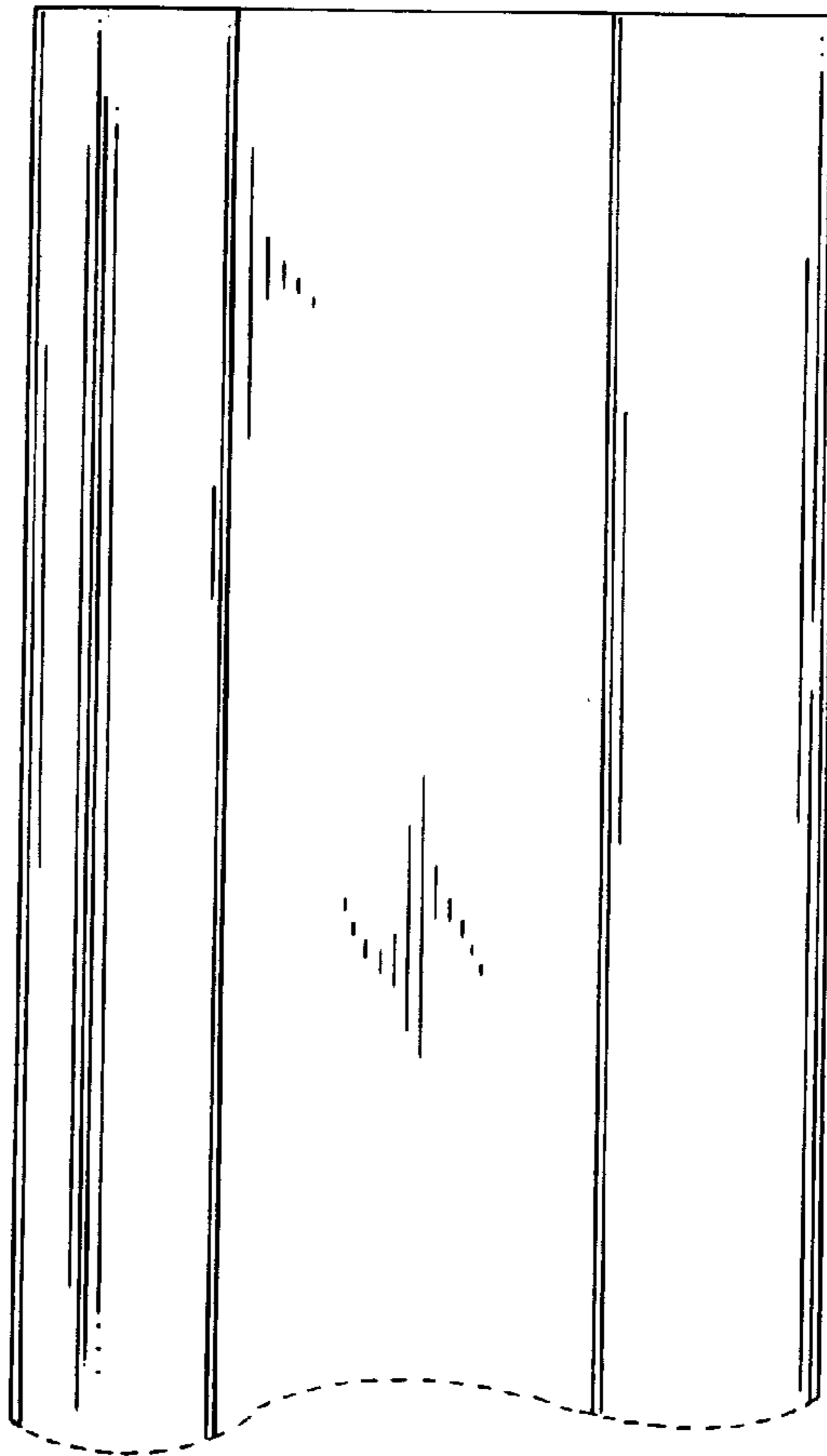


Fig.-3

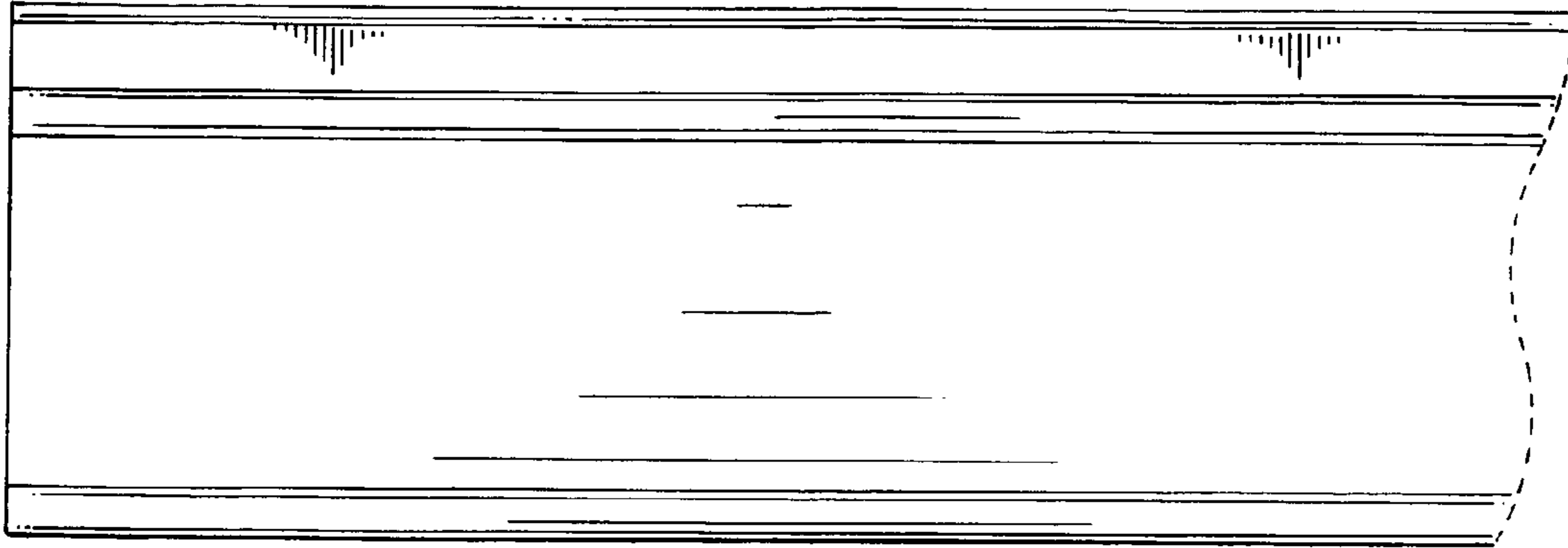


Fig.-4

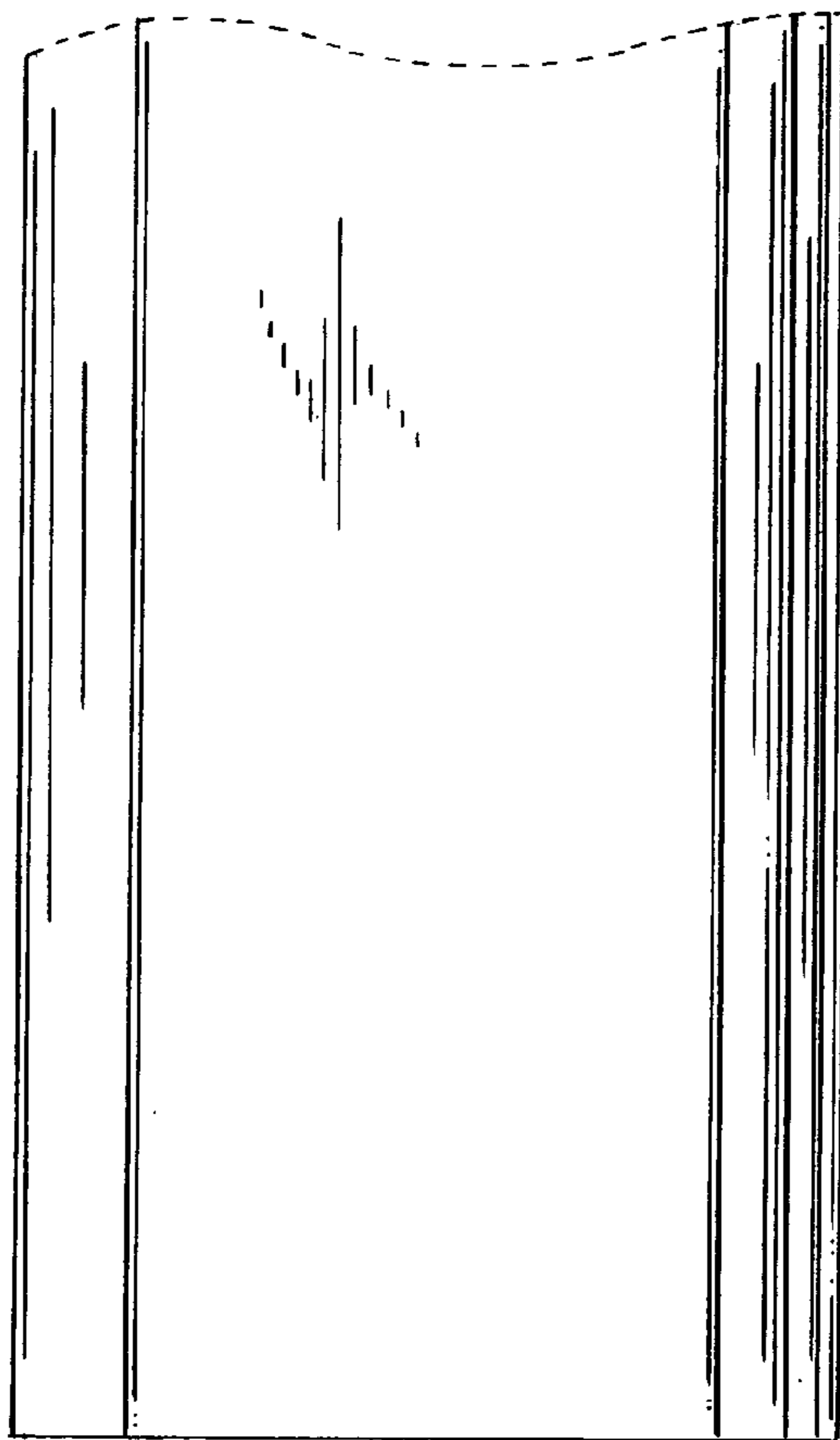


Fig.-5

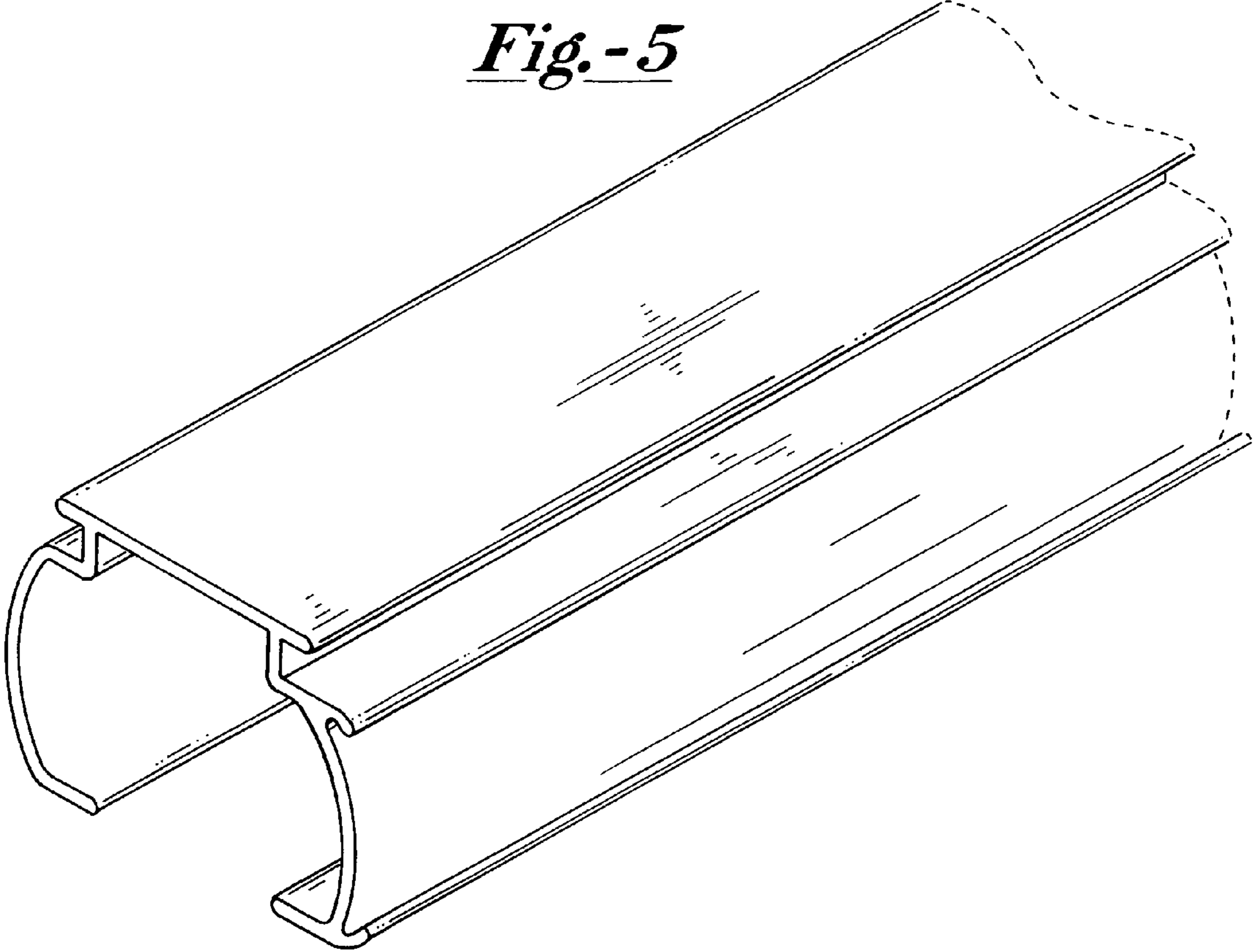


Fig.-6

