



US00D566998S

(12) **United States Design Patent**
Troutman

(10) **Patent No.:** **US D566,998 S**
(45) **Date of Patent:** **** Apr. 22, 2008**

- (54) **ROUNDED PLAY YARD**
- (75) Inventor: **Damon Oliver Casati Troutman**, Lake Forest, IL (US)
- (73) Assignee: **Kolcraft Enterprises, Inc.**, Chicago, IL (US)
- (**) Term: **14 Years**
- (21) Appl. No.: **29/216,576**
- (22) Filed: **Nov. 5, 2004**
- (51) **LOC (8) Cl.** **06-01**
- (52) **U.S. Cl.** **D6/503; D6/495; D6/331; D6/391**
- (58) **Field of Classification Search** **D6/390, D6/391, 331, 333, 508, 383, 384, 503; 5/93.1, 5/93.2, 99.1, 101, 97, 98.1, 655**
See application file for complete search history.

- 4,376,318 A 3/1983 Cirillo
- 4,561,138 A 12/1985 Hwang
- 4,900,011 A 2/1990 Nolet
- 5,197,154 A 3/1993 Shamie
- 5,211,498 A 5/1993 Huang
- 5,239,714 A 8/1993 Huang
- D339,922 S 10/1993 Williams
- 5,274,863 A 1/1994 Fountain
- 5,279,006 A 1/1994 Teng
- 5,307,531 A 5/1994 Kao
- 5,339,470 A 8/1994 Shamie
- 5,349,709 A 9/1994 Cheng
- 5,367,725 A 11/1994 Tsai
- 5,381,570 A 1/1995 Cheng
- 5,504,951 A 4/1996 Yeh
- 5,513,399 A 5/1996 Weng
- 5,553,336 A 9/1996 Mariol
- 5,560,055 A 10/1996 Ziegler
- 5,581,827 A 12/1996 Fong et al.
- 5,615,427 A 4/1997 Huang
- D382,718 S 8/1997 Mariol
- 5,761,755 A 6/1998 Huang

(Continued)

(56) **References Cited**

U.S. PATENT DOCUMENTS

- 1,839,580 A 5/1926 Myron
- 1,695,571 A 12/1928 Baxter
- 1,975,332 A 10/1934 Rehkoff
- 2,287,907 A 6/1942 Schettler Jr.
- D158,030 S 4/1950 Wagner
- 2,617,420 A 10/1953 Moltane
- 2,698,443 A 1/1955 Ralick
- 2,873,458 A 2/1959 Adamson
- 3,018,493 A 1/1962 Wittbrodt
- RE25,195 E 7/1962 Hamilton
- 3,064,277 A 11/1962 Gill
- 3,092,847 A 6/1963 Puy
- 3,095,583 A 7/1963 Golulb et al.
- 3,103,670 A 9/1963 Landry
- 3,158,876 A 12/1964 Gottlieb
- 3,162,865 A 12/1964 Tigrett
- 3,183,528 A 5/1965 Jacobs et al.
- 3,187,352 A 6/1965 Gottlieb
- 3,233,254 A 2/1966 Golub et al.
- 3,546,721 A 5/1968 Cleary
- 3,706,105 A 12/1972 Nicholson
- D244,890 S 7/1977 Adams

Primary Examiner—Janice E. Seeger

(74) *Attorney, Agent, or Firm*—Hanley, Flight & Zimmerman, LLC

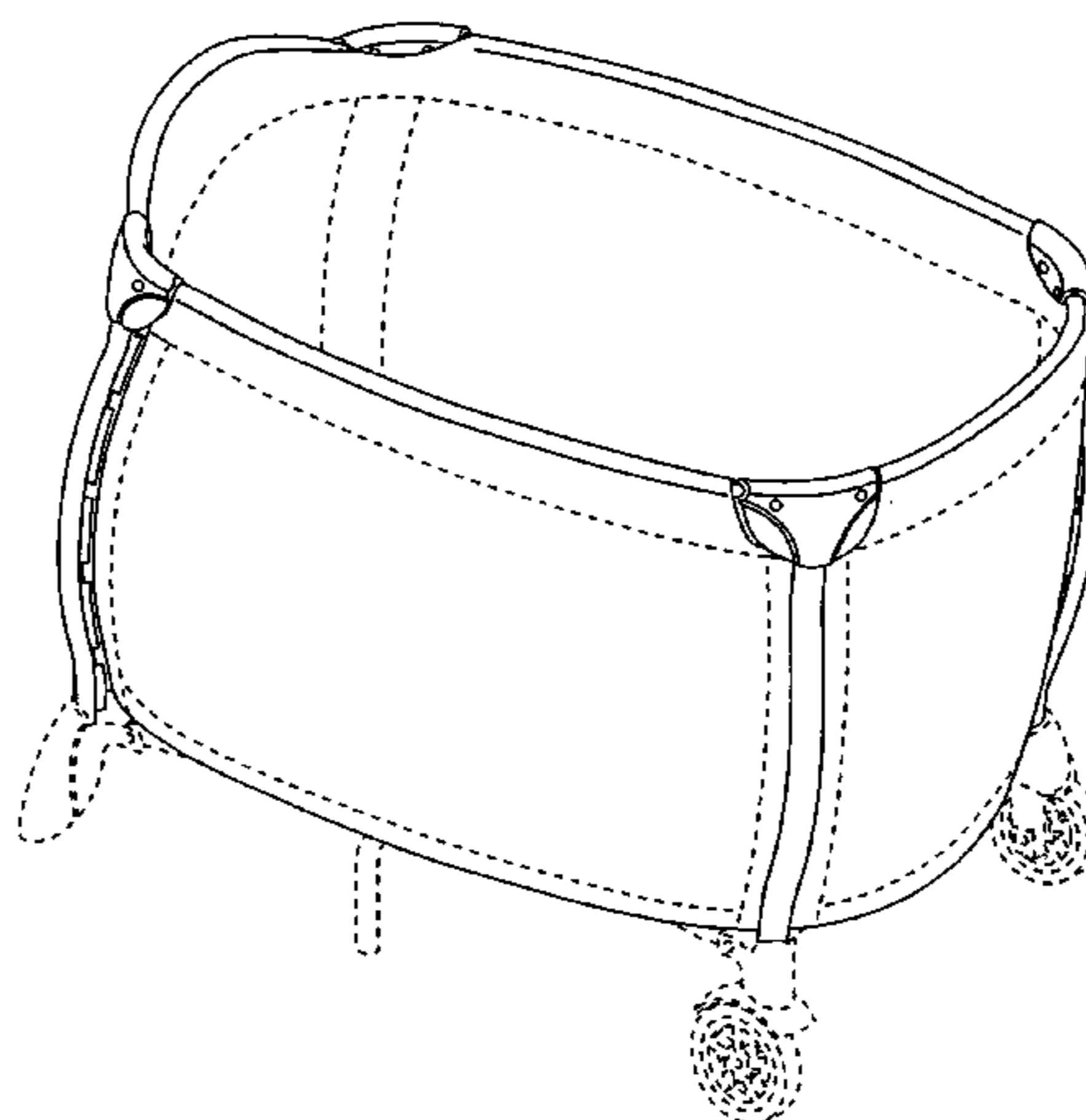
(57) **CLAIM**

The ornamental design for a rounded play yard, as shown and described.

DESCRIPTION

FIG. 1 is a perspective view of a rounded play yard.
 FIG. 2 is a front view of the play yard of FIG. 1.
 FIG. 3 is a rear view of the play yard of FIG. 1.
 FIG. 4 is a right side view of the play yard of FIG. 1.
 FIG. 5 is a left side of the play yard of FIG. 1; and,
 FIG. 6 is a top view of the play yard of FIG. 1.
 There is no fabric covering the exposed legs shown in any of FIGS. 1–6.
 The features shown in broken lines are for illustrative purposes only and do not form part of the claimed design.

1 Claim, 4 Drawing Sheets



US D566,998 S

Page 2

U.S. PATENT DOCUMENTS

| | | | | | | | |
|----------------|---------|--------------------|--------|-----------------|---------|-------------------|--------|
| 5,778,465 A | 7/1998 | Myers | | D500,213 S | 12/2004 | DeHart et al. | |
| D397,882 S | 9/1998 | Wu | | 6,859,657 B1 | 2/2005 | Barnard | |
| 5,826,285 A | 10/1998 | Mariol et al. | | 6,859,957 B1 * | 3/2005 | Chen | 5/93.1 |
| 5,867,850 A | 2/1999 | Mariol | | 6,895,611 B2 | 5/2005 | Tharalson et al. | |
| 5,867,851 A | 2/1999 | Mariol et al. | | 6,954,949 B1 * | 10/2005 | Chen | 5/99.1 |
| D409,411 S | 5/1999 | Mariol et al. | | 6,959,462 B2 | 11/2005 | Chen | |
| D413,025 S | 8/1999 | Mariol et al. | | 7,003,821 B2 | 2/2006 | DeHart et al. | |
| 5,991,944 A * | 11/1999 | Yang | 5/99.1 | 7,020,914 B2 | 4/2006 | Miyakawa | |
| 6,173,462 B1 | 1/2001 | Huang et al. | | 7,043,779 B2 | 5/2006 | Mendenhall et al. | |
| 6,233,759 B1 | 5/2001 | Warner, Jr. et al. | | 2003/0177575 A1 | 9/2003 | Cheng et al. | |
| 6,256,814 B1 | 7/2001 | Drobinski | | 2004/0261174 A1 | 12/2004 | DeHart et al. | |
| D448,218 S | 9/2001 | Celestina-Krevh | | 2005/0144716 A1 | 7/2005 | Chen | |
| 6,385,800 B1 * | 5/2002 | Chen et al. | 5/99.1 | 2005/0144717 A1 | 7/2005 | Chen | |
| 6,615,424 B1 | 9/2003 | Cheng | | 2005/0144718 A1 | 7/2005 | Miyakawa | |
| 6,665,895 B1 | 12/2003 | St. Pierre et al. | | 2005/0229308 A1 | 10/2005 | Chen | |
| 6,721,971 B1 * | 4/2004 | Cheng | 5/99.1 | 2006/0037137 A1 | 2/2006 | Song | |
| D494,393 S | 8/2004 | Chen | | | | | |

* cited by examiner

Fig. 1

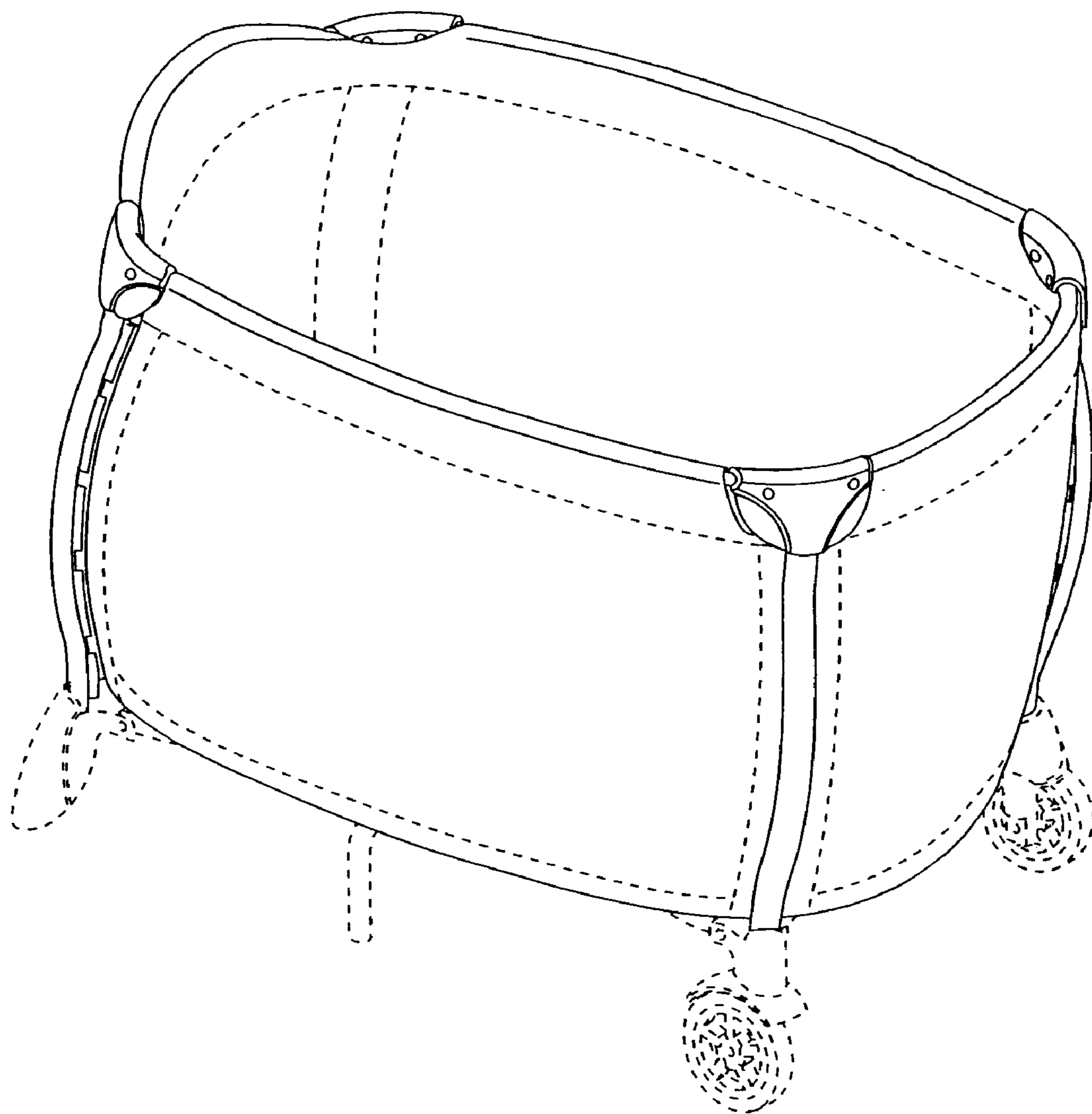


Fig. 2

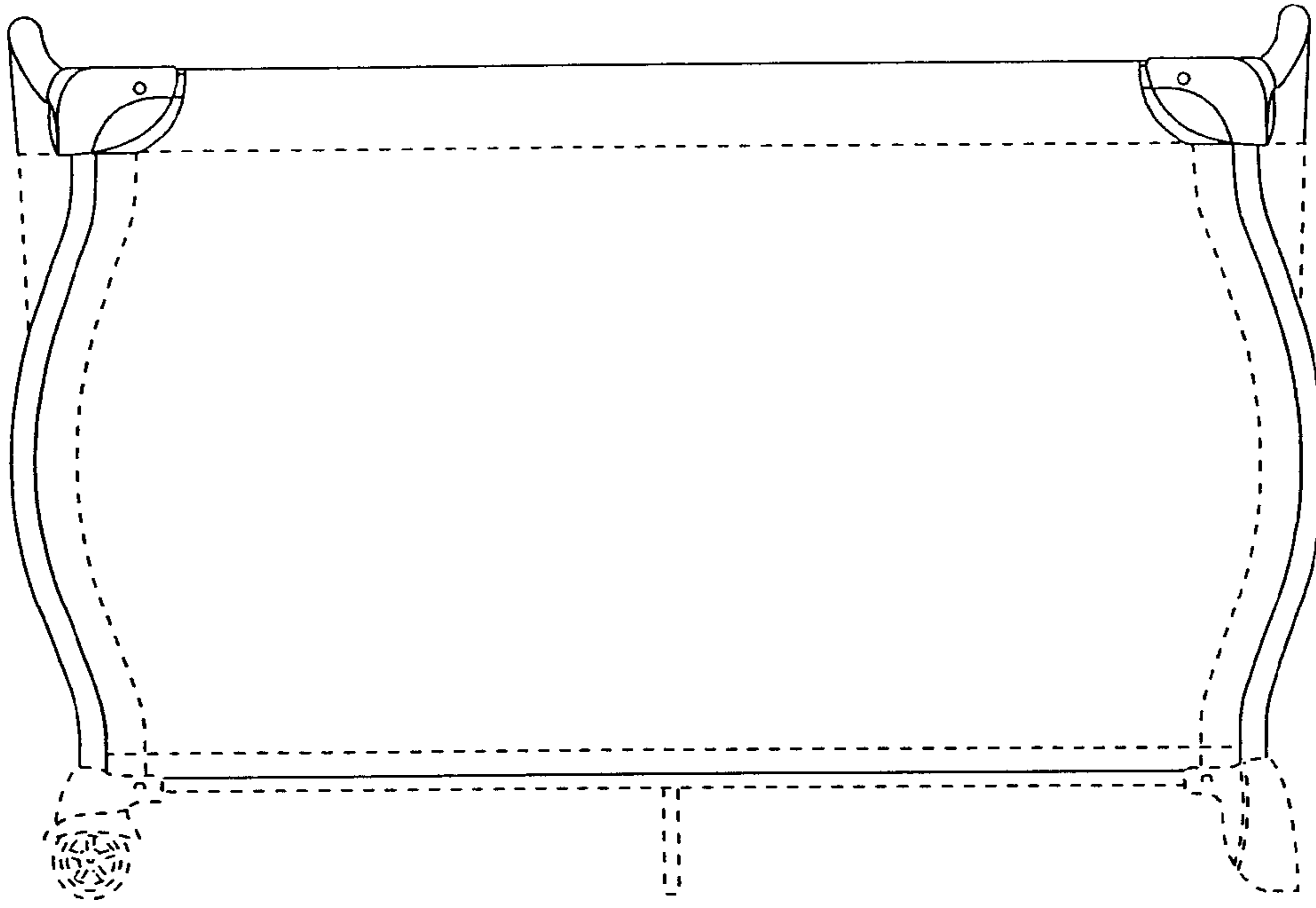


Fig. 3

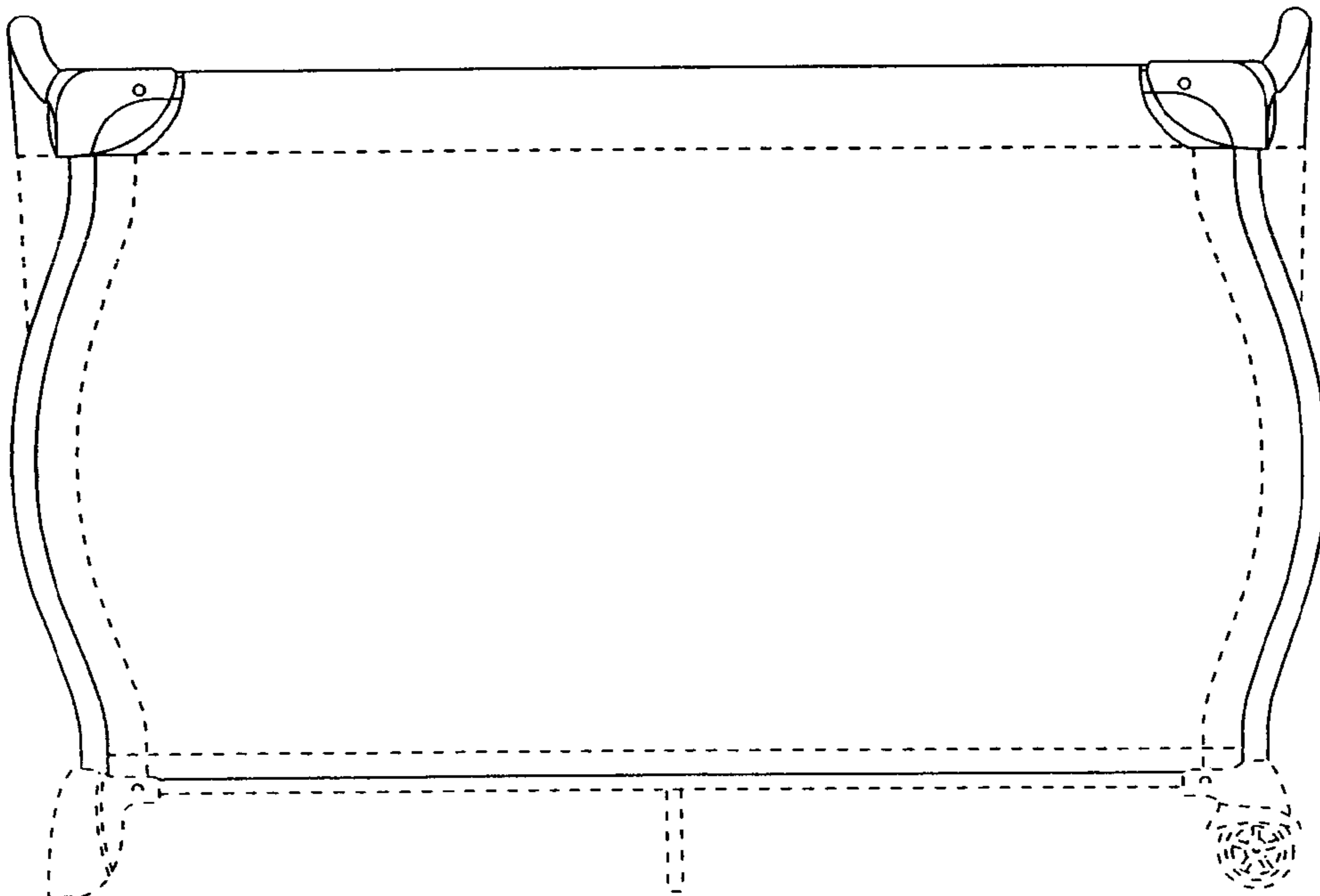


Fig. 4

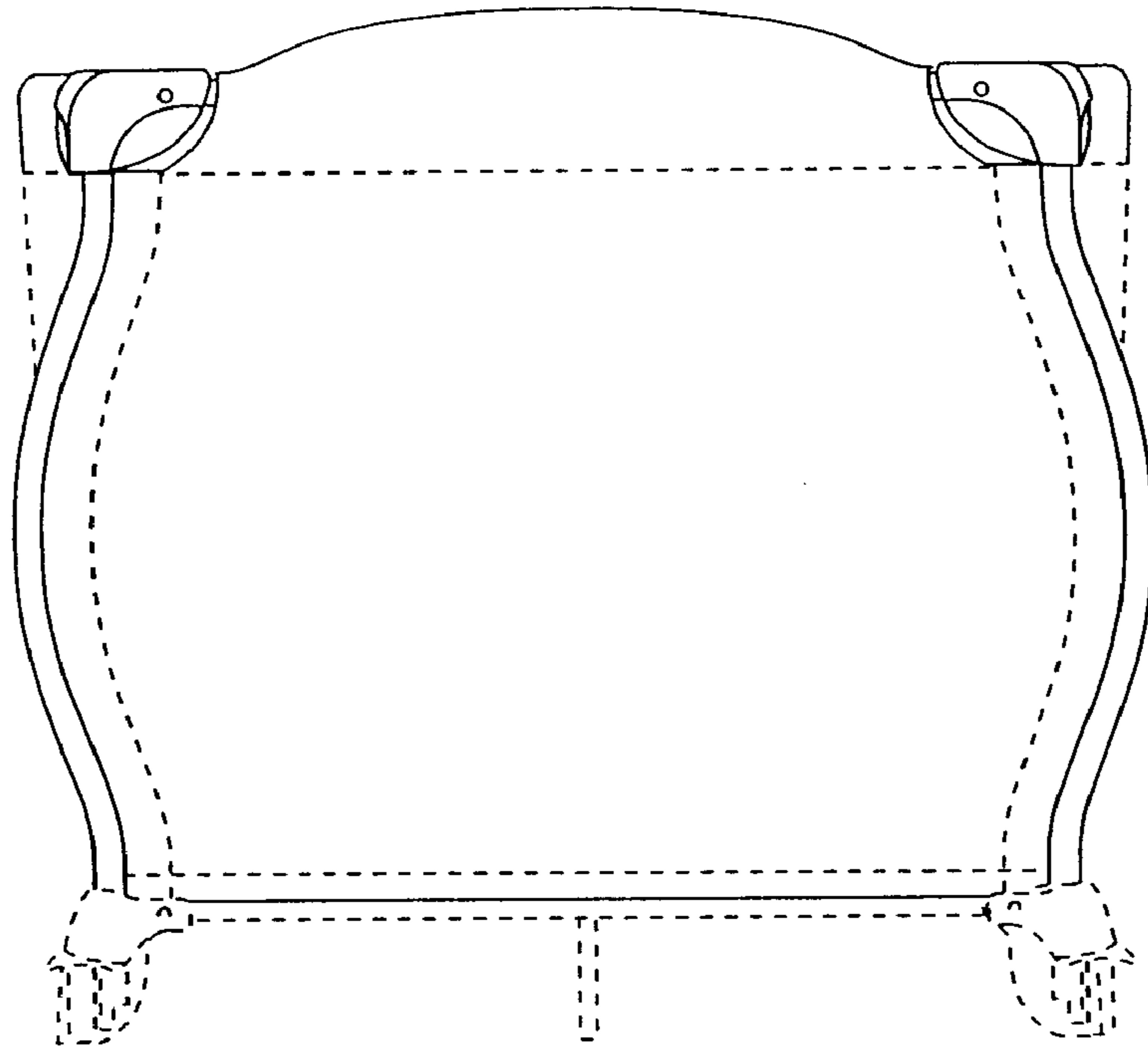


Fig. 5

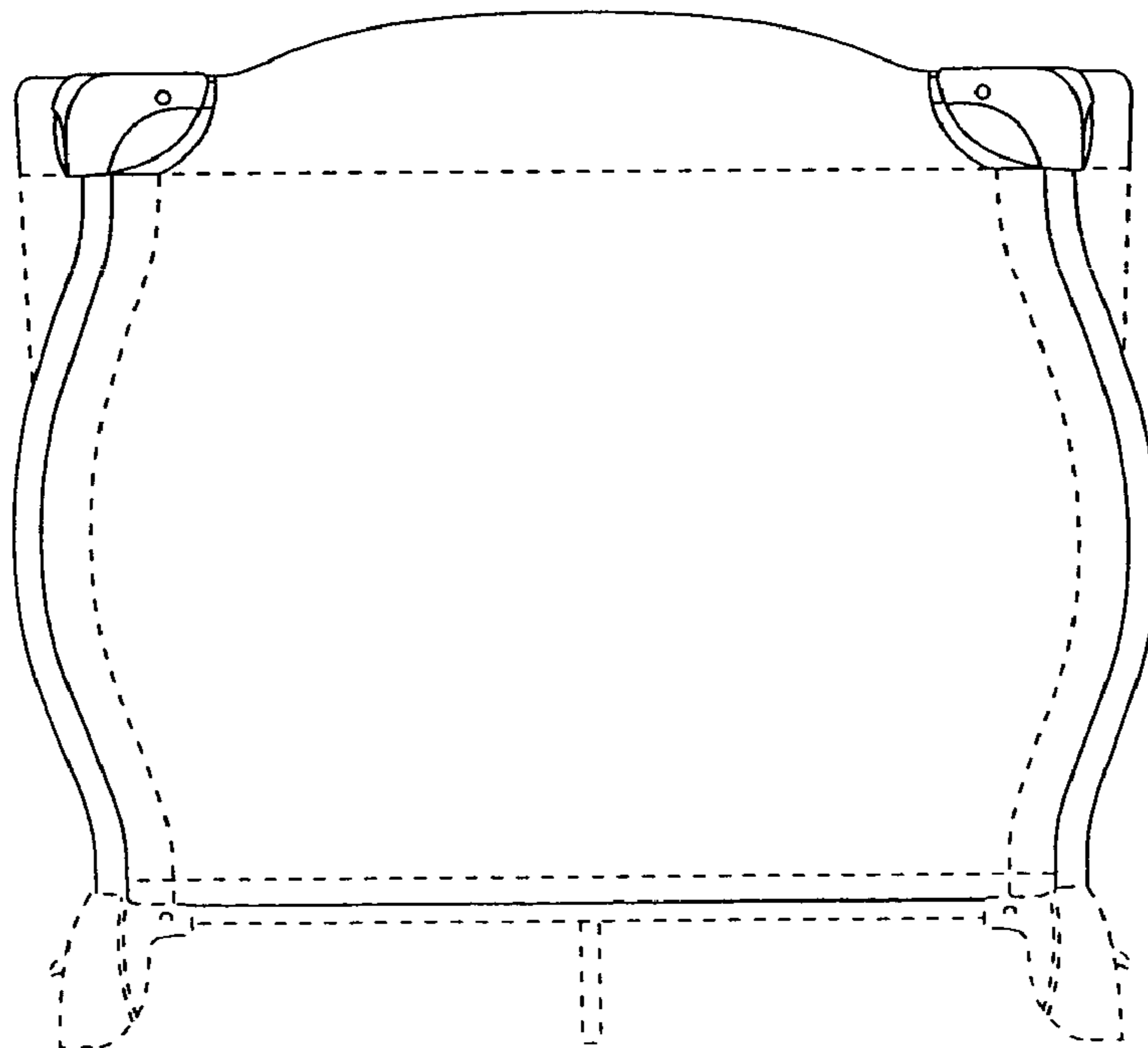


Fig. 6

