



US00D566997S

(12) **United States Design Patent**  
**Muller**

(10) **Patent No.:** **US D566,997 S**  
(45) **Date of Patent:** **\*\* Apr. 22, 2008**

(54) **TABLE BASE**

D433,254 S \* 11/2000 Muller ..... D6/482

(75) Inventor: **Carl Muller**, Huntington Beach, CA  
(US)

(73) Assignee: **Elite Mfg. Corp.**, Santa Fe Springs, CA  
(US)

(\*\*) Term: **14 Years**

(21) Appl. No.: **29/275,973**

(22) Filed: **Jan. 10, 2007**

(51) **LOC (8) Cl.** ..... **06-06**

(52) **U.S. Cl.** ..... **D6/495; D6/482**

(58) **Field of Classification Search** ..... D6/480-489,  
D6/495-499, 511, 429-431; 108/150, 151,  
108/153.1, 155, 156, 157.1, 161; 248/188,  
248/188.1, 188.7, 188.8

See application file for complete search history.

(56) **References Cited**

**U.S. PATENT DOCUMENTS**

- 410,947 A \* 9/1889 Vosburgh ..... 248/431
- 2,759,780 A \* 8/1956 Barker, Jr. .... 108/157.17
- 3,074,771 A \* 1/1963 Wilson ..... 248/164
- D203,167 S \* 12/1965 Beckman ..... D6/495
- D218,943 S \* 10/1970 Culliss ..... D6/482

**OTHER PUBLICATIONS**

Craft. May 3, 1973, #2830 LT table.\*  
Craft. May 3, 1973, #1465T table.\*

\* cited by examiner

*Primary Examiner*—Janice E. Seeger

(74) *Attorney, Agent, or Firm*—Marvin Jacobs

(57) **CLAIM**

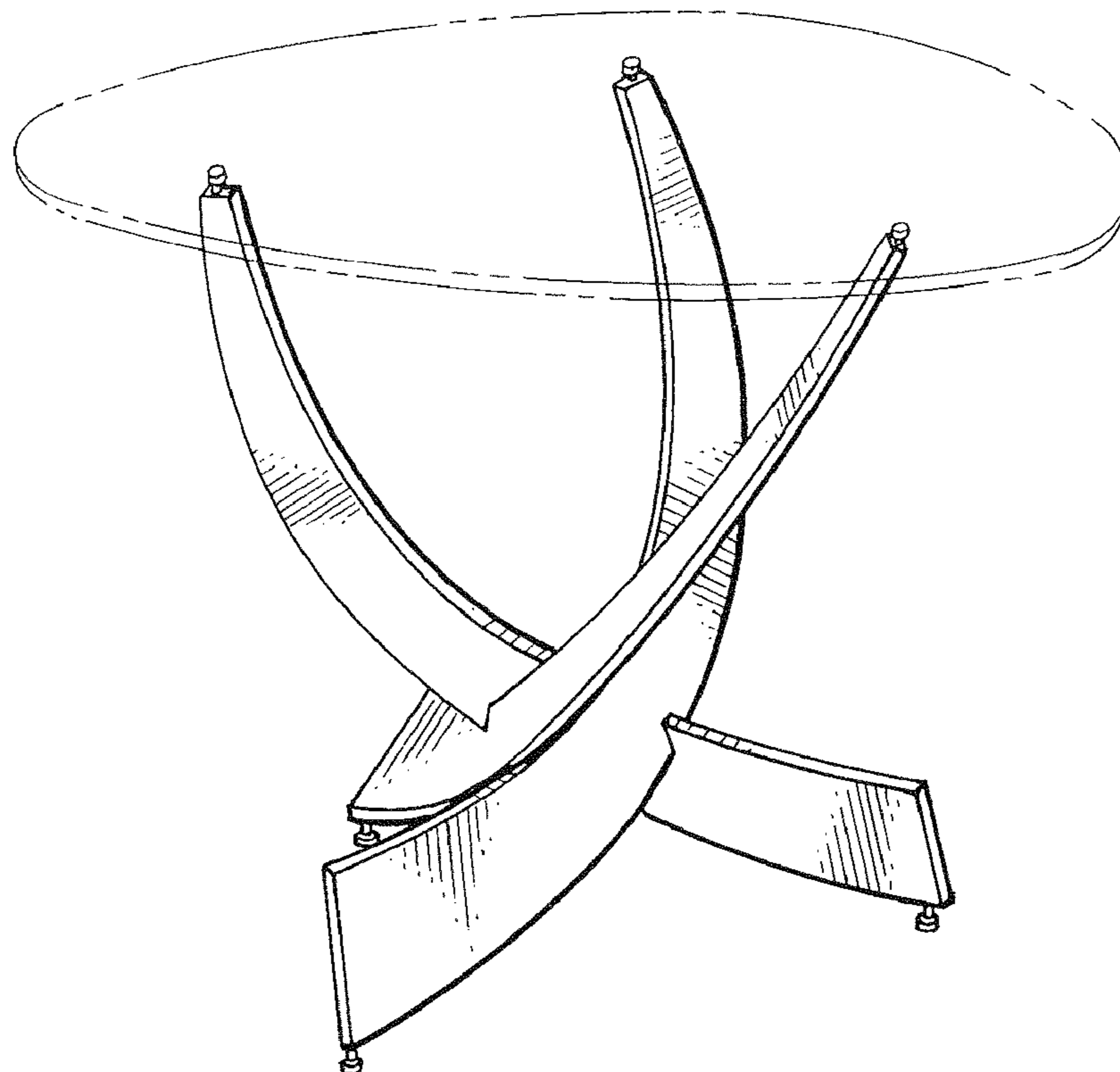
The ornamental design for a table base, as shown and described.

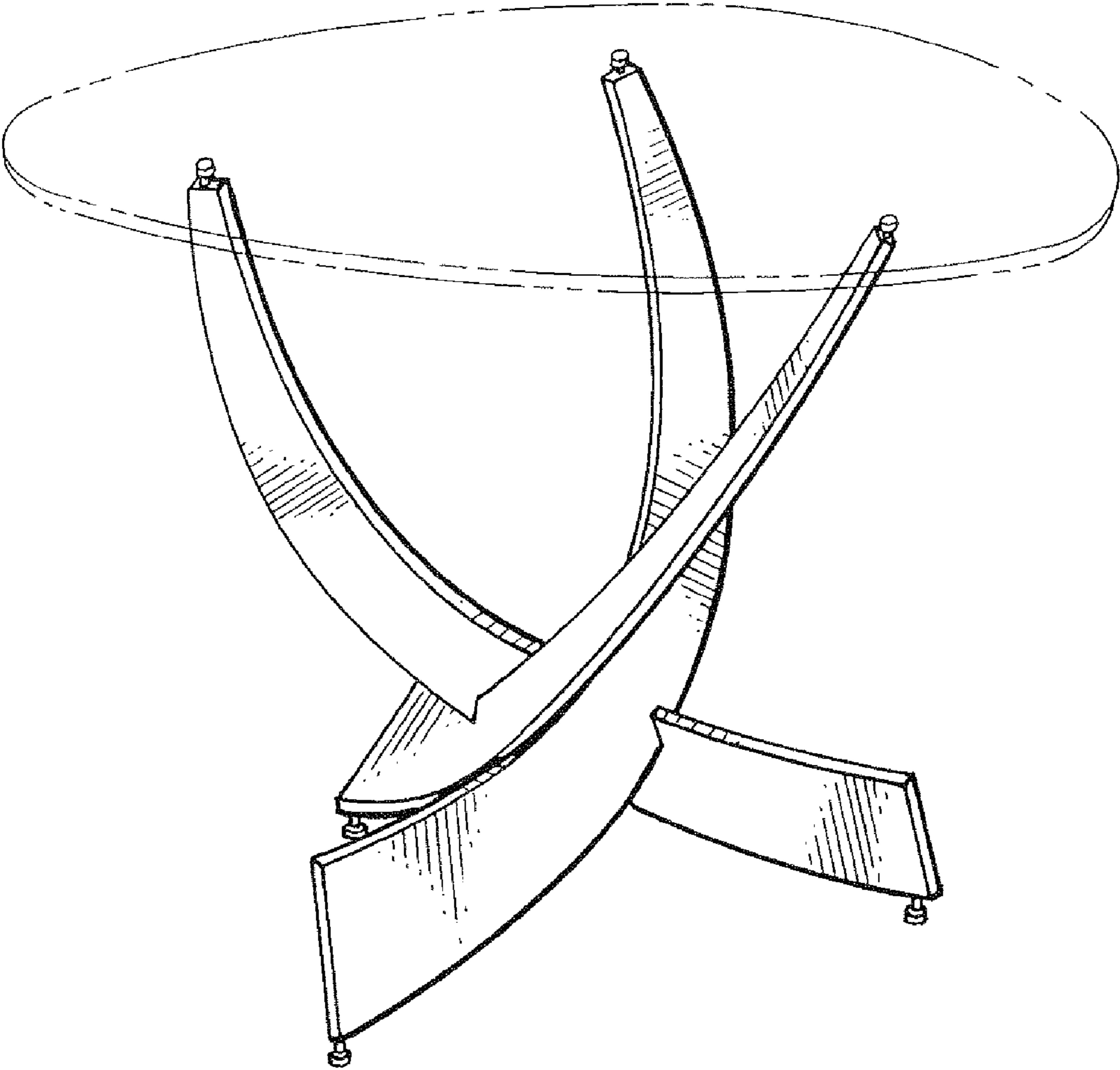
**DESCRIPTION**

FIG. 1 is a front perspective view of a table base.  
 FIG. 2 is a front elevational view of the table base.  
 FIG. 3 is a right side elevational view of the table base.  
 FIG. 4 is a rear elevational view of the table base.  
 FIG. 5 is a left side elevational view of the table base.  
 FIG. 6 is a top plan view of the table base; and,  
 FIG. 7 is a bottom plan view of the table base.

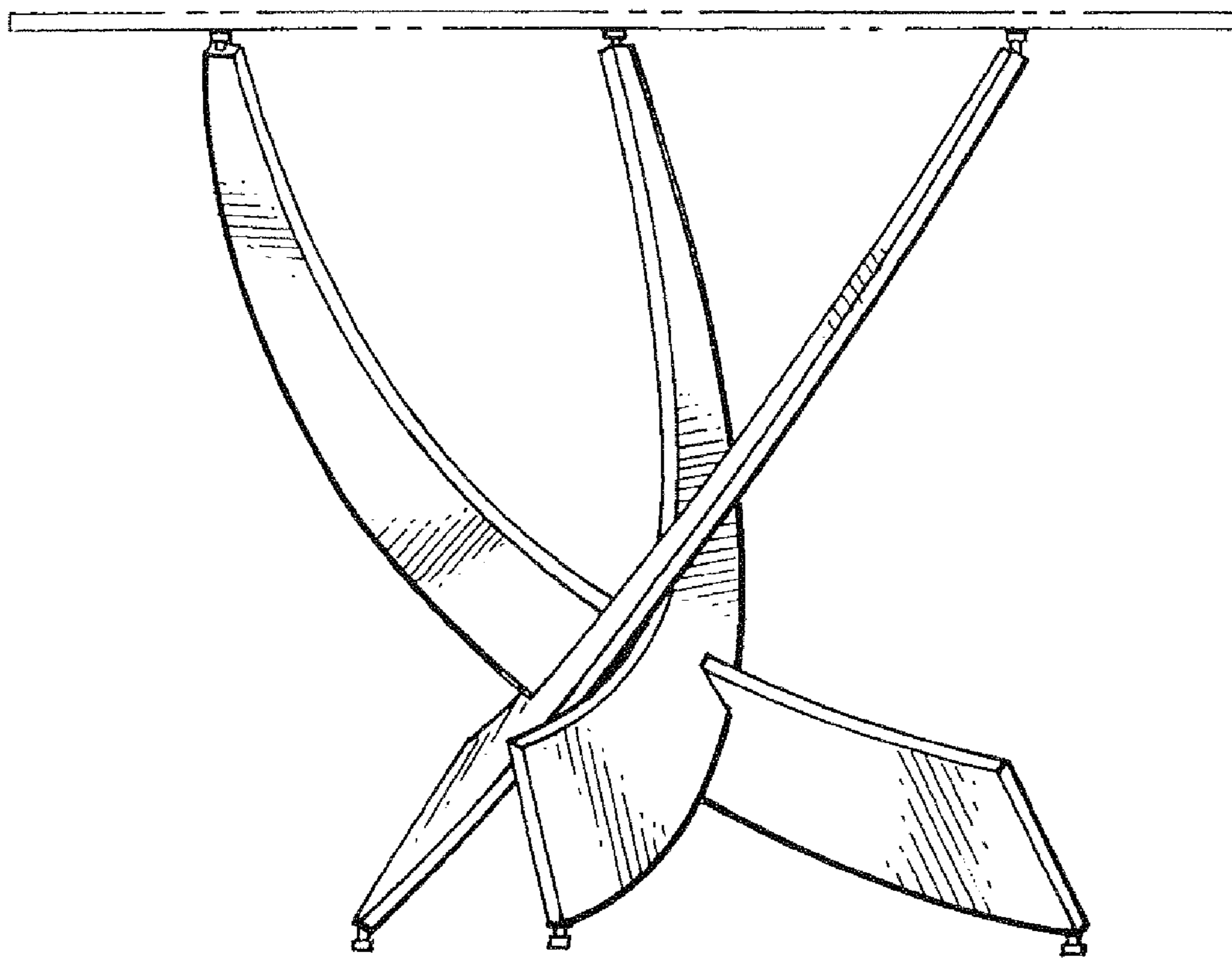
The broken lines are for environmental purposes only and form no part of the claimed design.

**1 Claim, 7 Drawing Sheets**

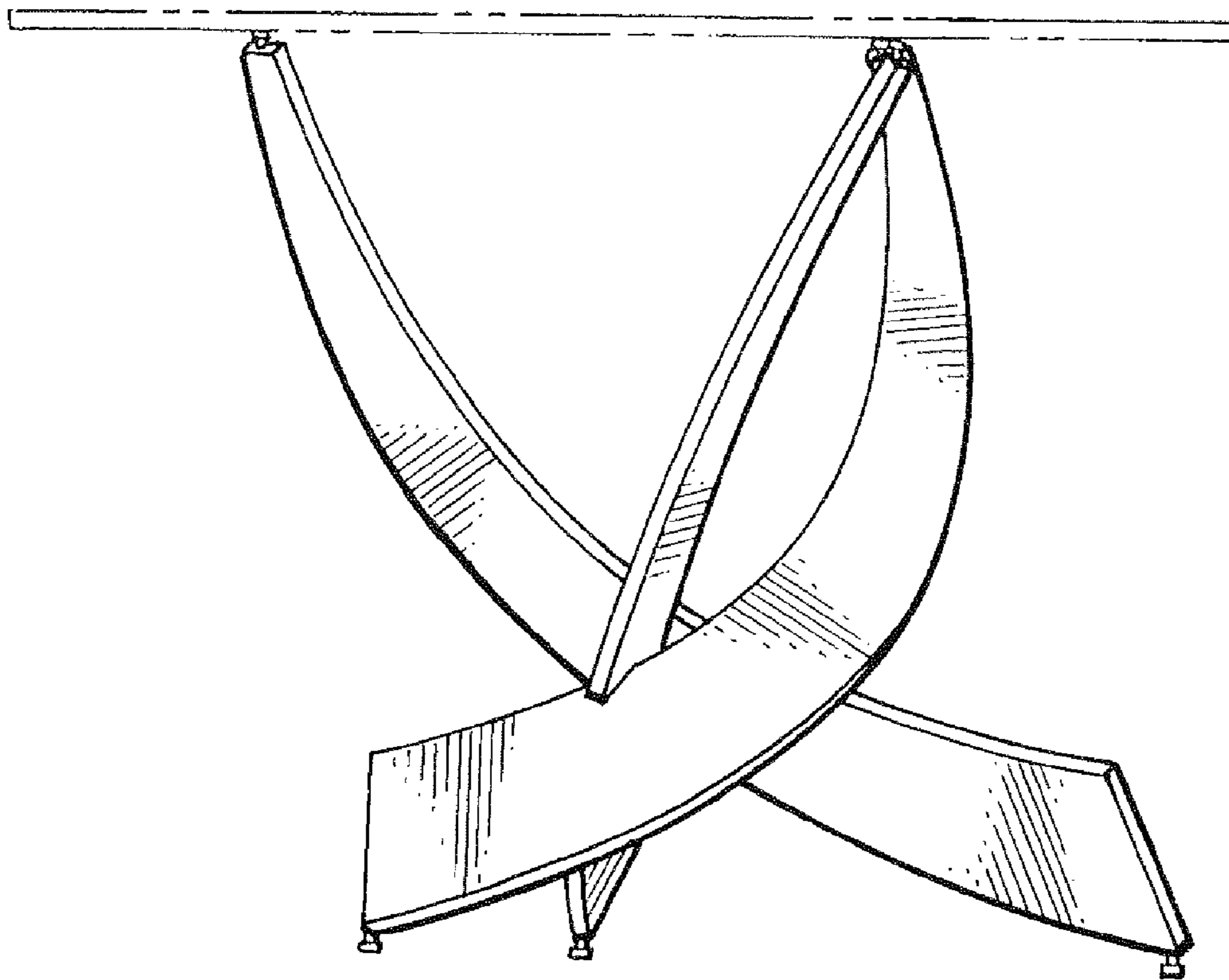




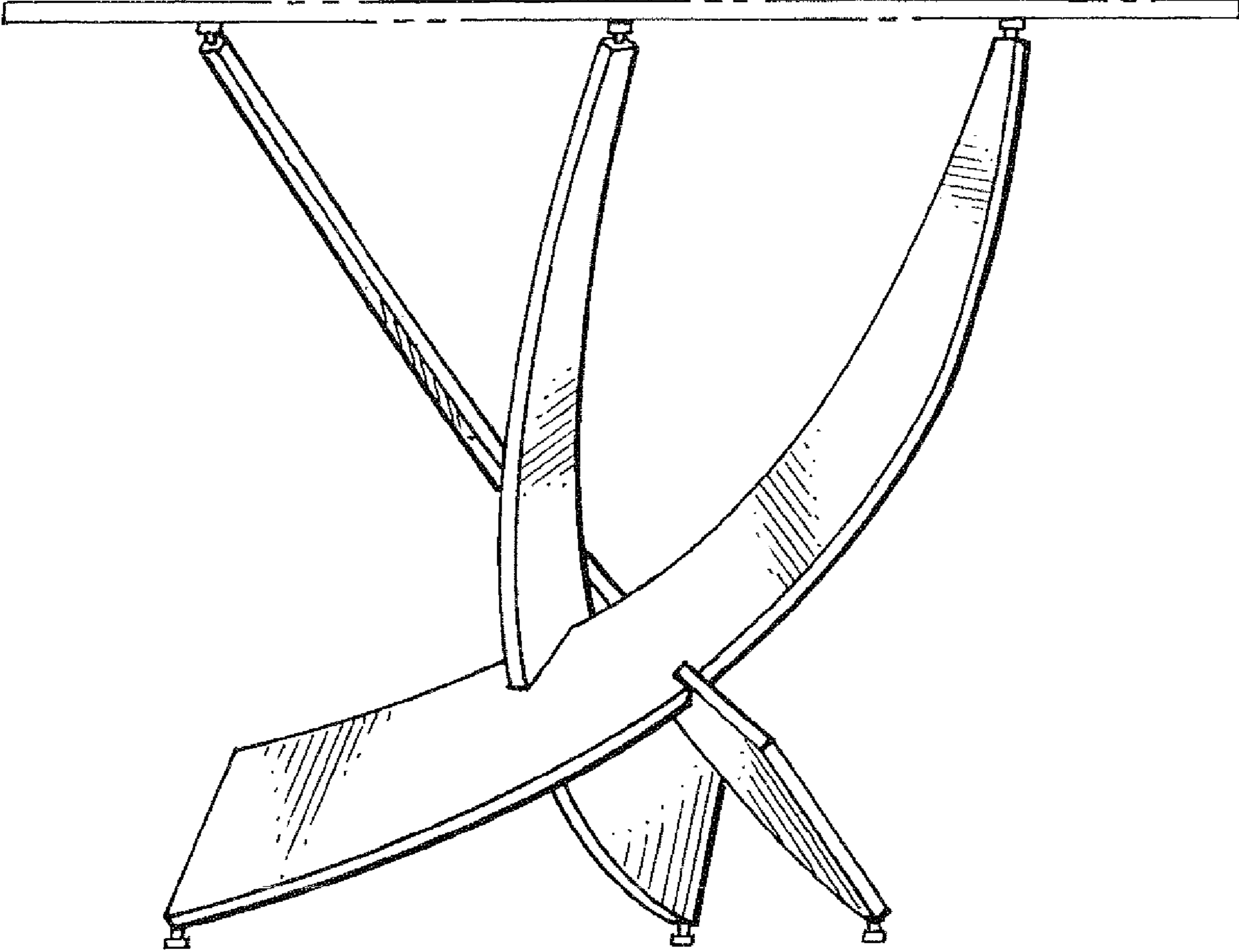
*Fig. 1.*



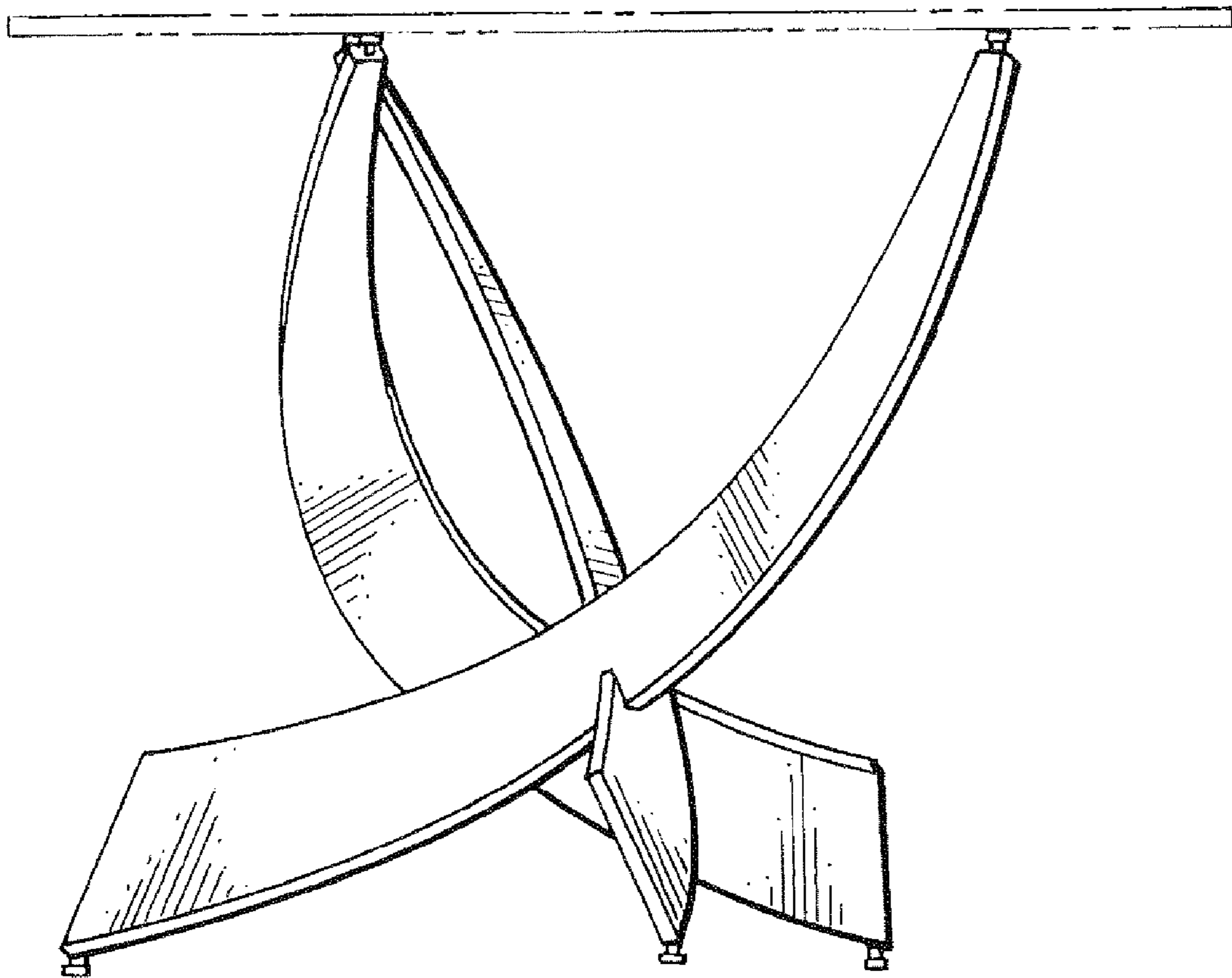
***Fig. 2.***



***Fig. 3.***

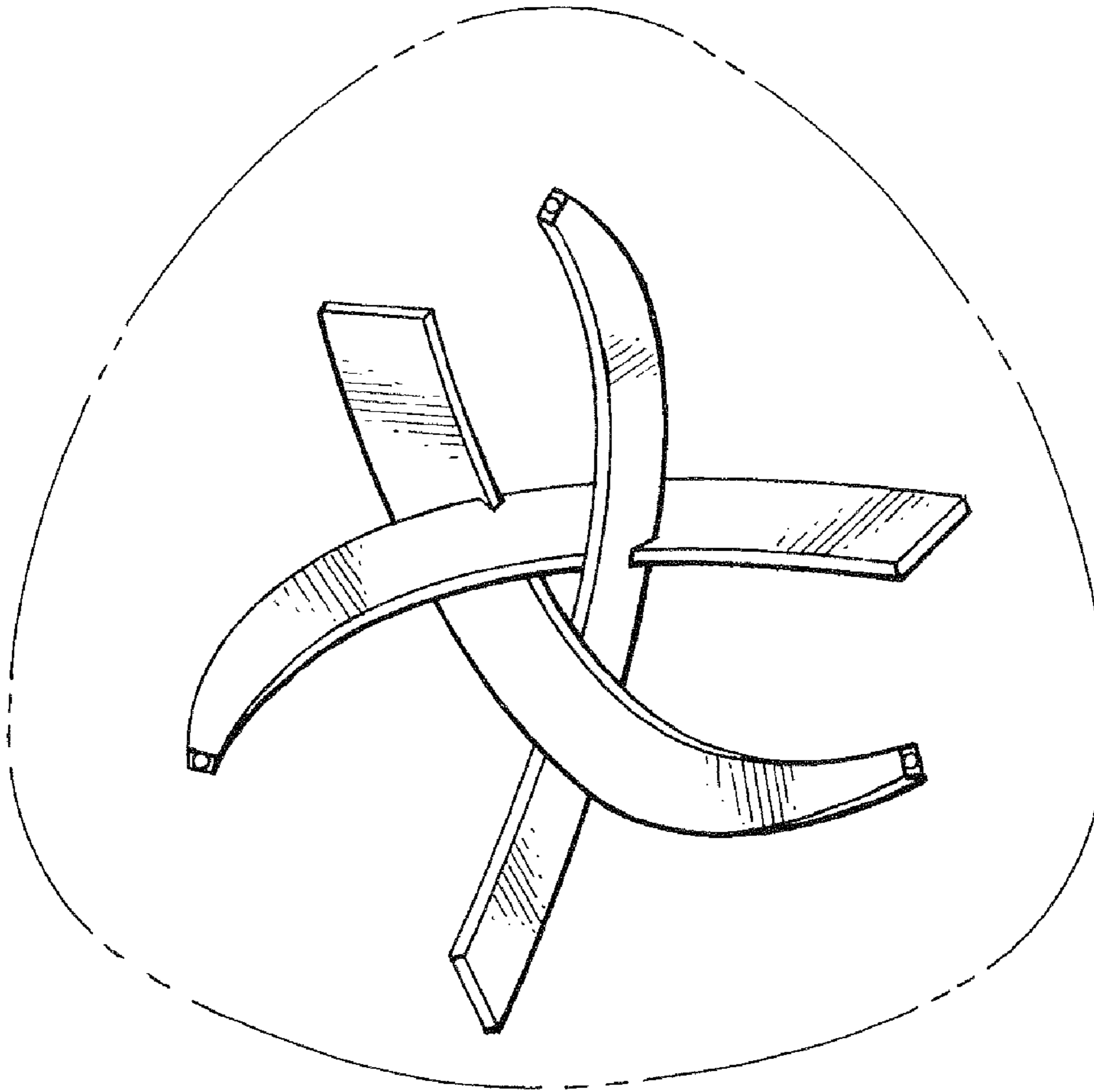


***Fig. 4.***

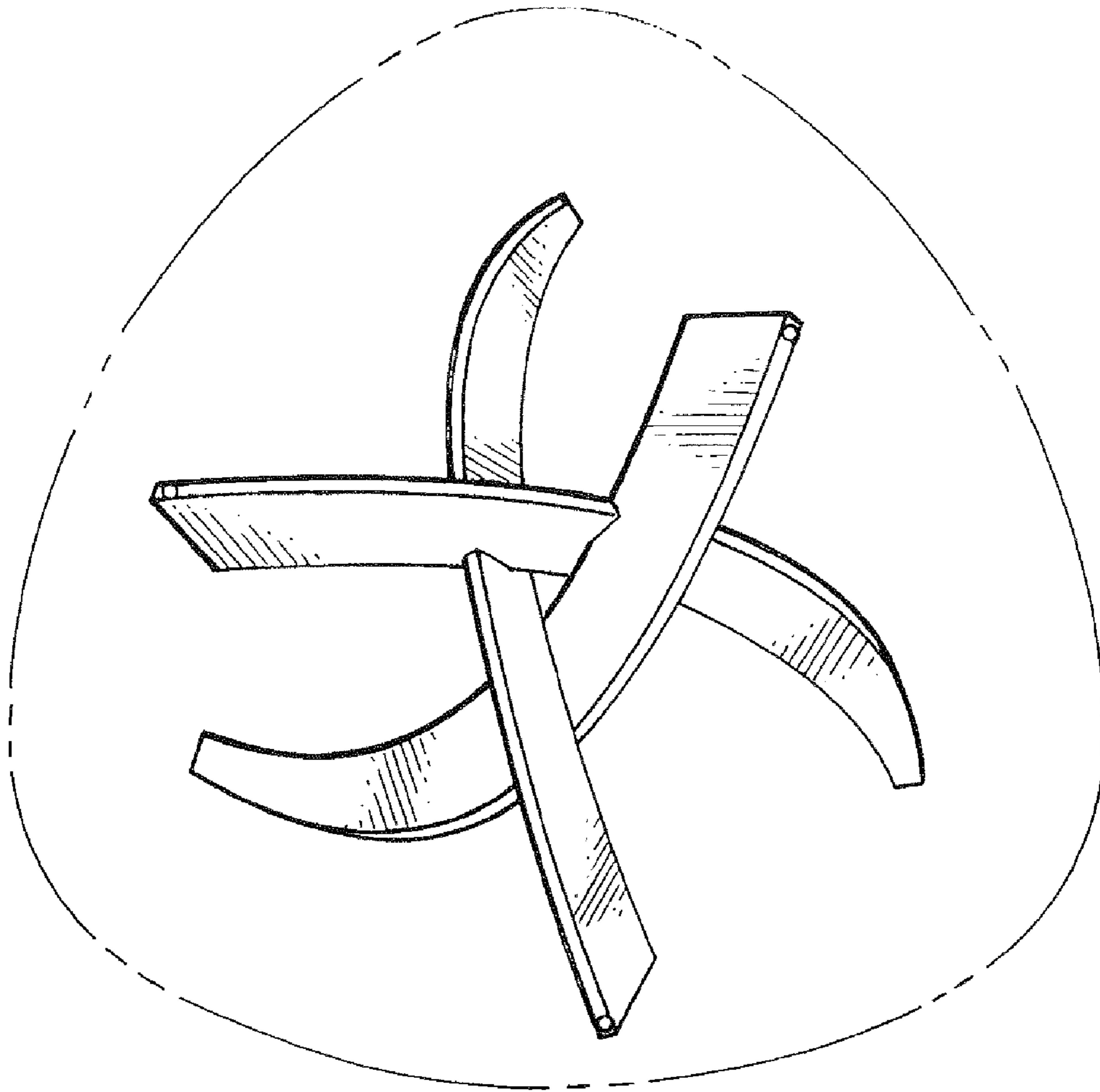


*Fig. 5.*





***Fig. 6.***



***Fig. 7.***