

US00D566995S

(12) **United States Design Patent**
Puksta

(10) **Patent No.:** **US D566,995 S**

(45) **Date of Patent:** **** Apr. 22, 2008**

(54) **CABINET PANEL**

(75) Inventor: **Frederick P. Puksta**, Keene, NH (US)

(73) Assignee: **Crown Point Cabinetry**, Claremont, NH (US)

(**) Term: **14 Years**

(21) Appl. No.: **29/284,514**

(22) Filed: **Sep. 10, 2007**

(51) **LOC (8) Cl.** **06-06**

(52) **U.S. Cl.** **D6/492**

(58) **Field of Classification Search** D6/363-365, D6/402, 407, 432-441, 444-448, 480, 484, D6/491-495, 509-511, 559-561, 631-633; 108/150, 153.1, 155, 156, 157.1, 161; 248/188, 248/188.1, 188.8, 188.9; 297/445.1, 446.1
See application file for complete search history.

(56) **References Cited**

U.S. PATENT DOCUMENTS

- D416,144 S * 11/1999 Walters et al. D6/437
- D452,088 S * 12/2001 Hokanson D6/446
- D454,724 S * 3/2002 Hokanson D6/441
- D455,027 S * 4/2002 Hokanson D6/439
- D459,111 S * 6/2002 Tobin, Jr. D6/446
- D465,105 S * 11/2002 Tobin, Jr. D6/446

- D488,638 S * 4/2004 Stanton D6/441
- D502,821 S * 3/2005 Mohundro D6/446
- D509,682 S * 9/2005 Rozenboom D6/445
- D513,372 S * 1/2006 Rozenboom D6/446
- D532,626 S * 11/2006 McDiarmid et al. D6/446
- D555,935 S * 11/2007 Domack et al. D6/446
- D557,931 S * 12/2007 Thompson D6/439

* cited by examiner

Primary Examiner—Mimosa De

Assistant Examiner—Ricky Pham

(74) *Attorney, Agent, or Firm*—Coats & Bennett, P.L.L.C.

(57) **CLAIM**

The ornamental design for a cabinet panel, as shown and described.

DESCRIPTION

FIG. 1 is a perspective view of the cabinet panel.

FIG. 2 is a front elevational view of the cabinet panel; and,

FIG. 3 is a perspective view of a cabinet having the cabinet panel incorporated therein.

The back, top, bottom and side edges form no part of the claimed design.

Portions of the drawings shown in broken lines form no part of the claimed design.

1 Claim, 3 Drawing Sheets

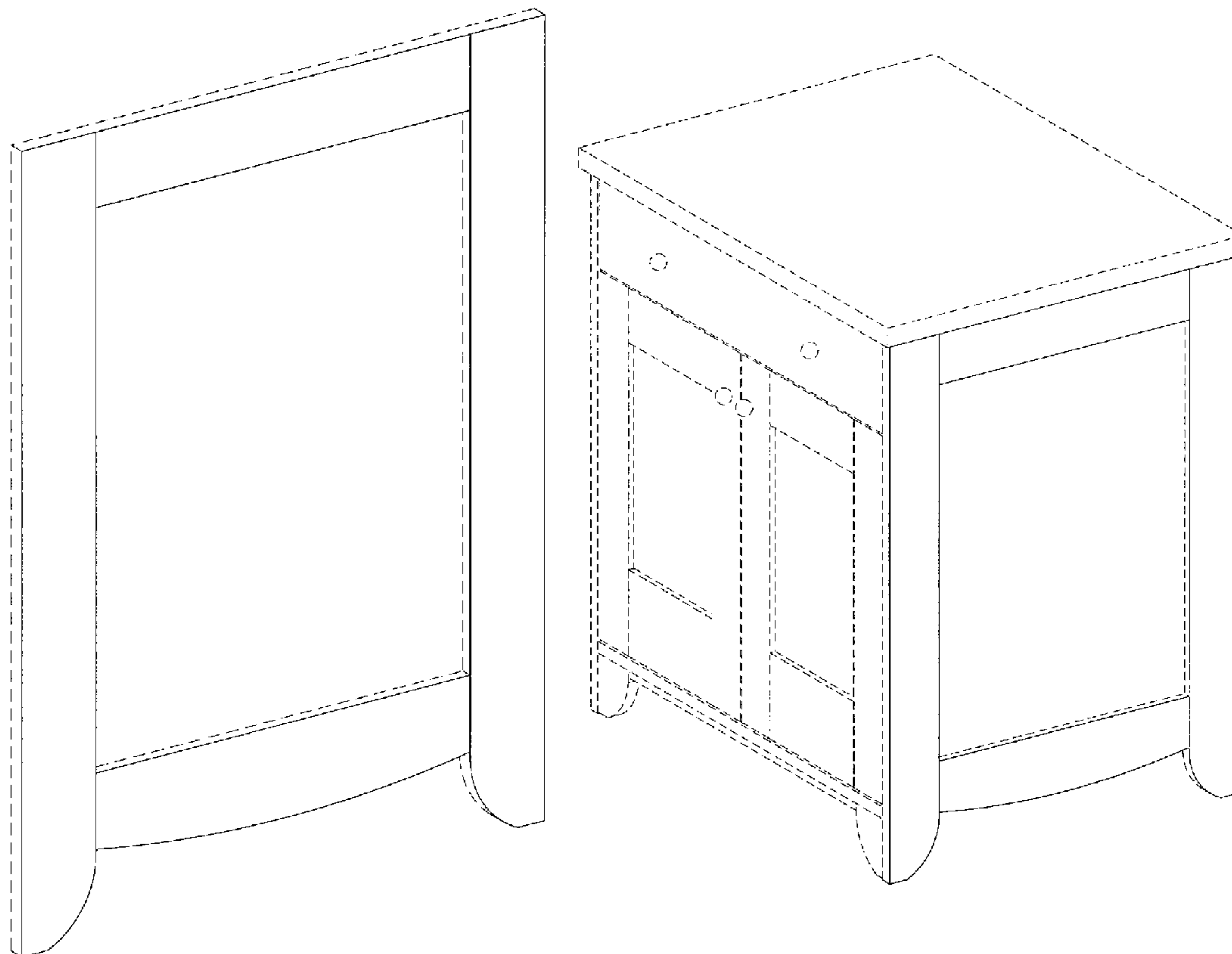


Figure 1

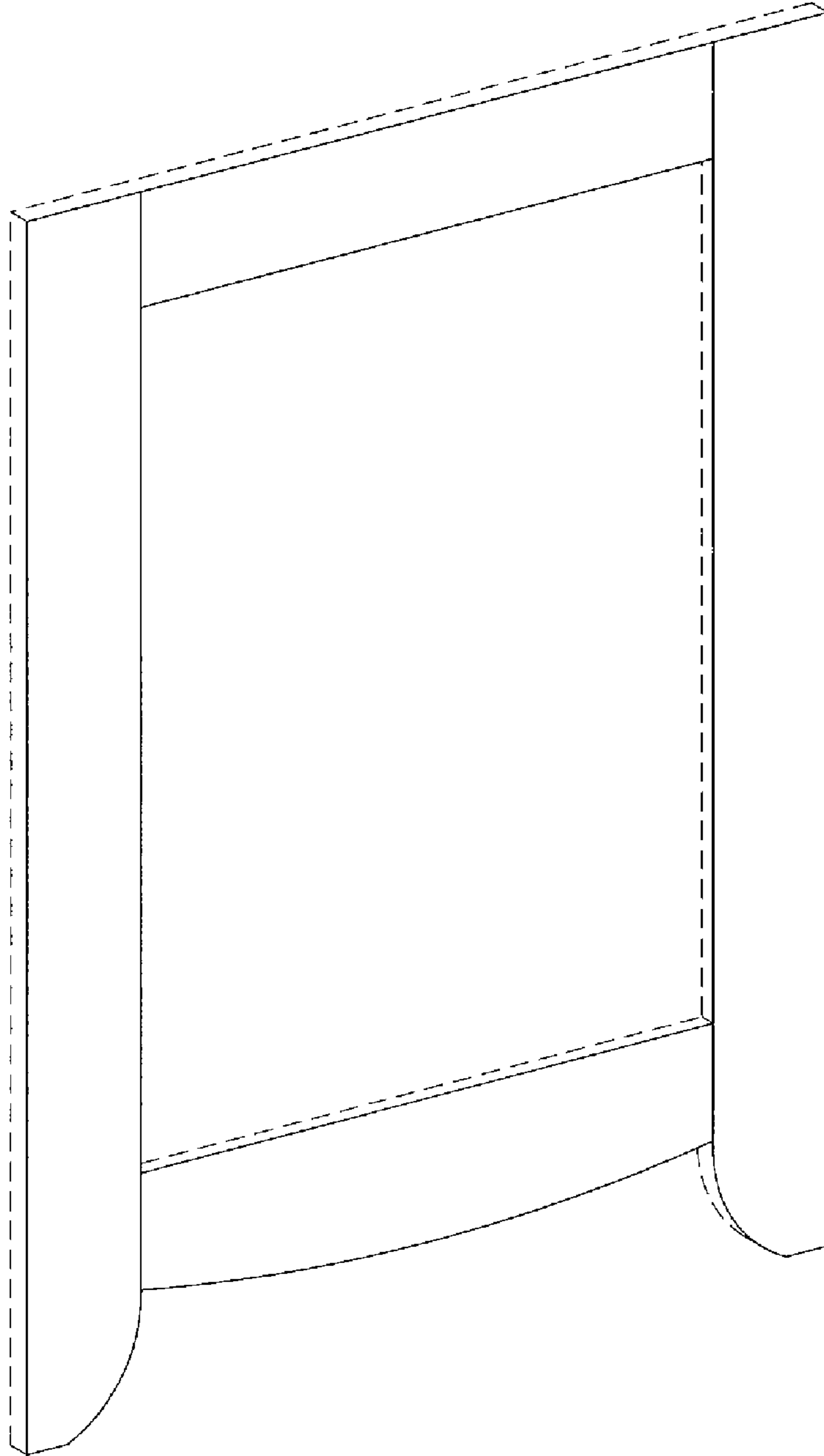


Figure 2

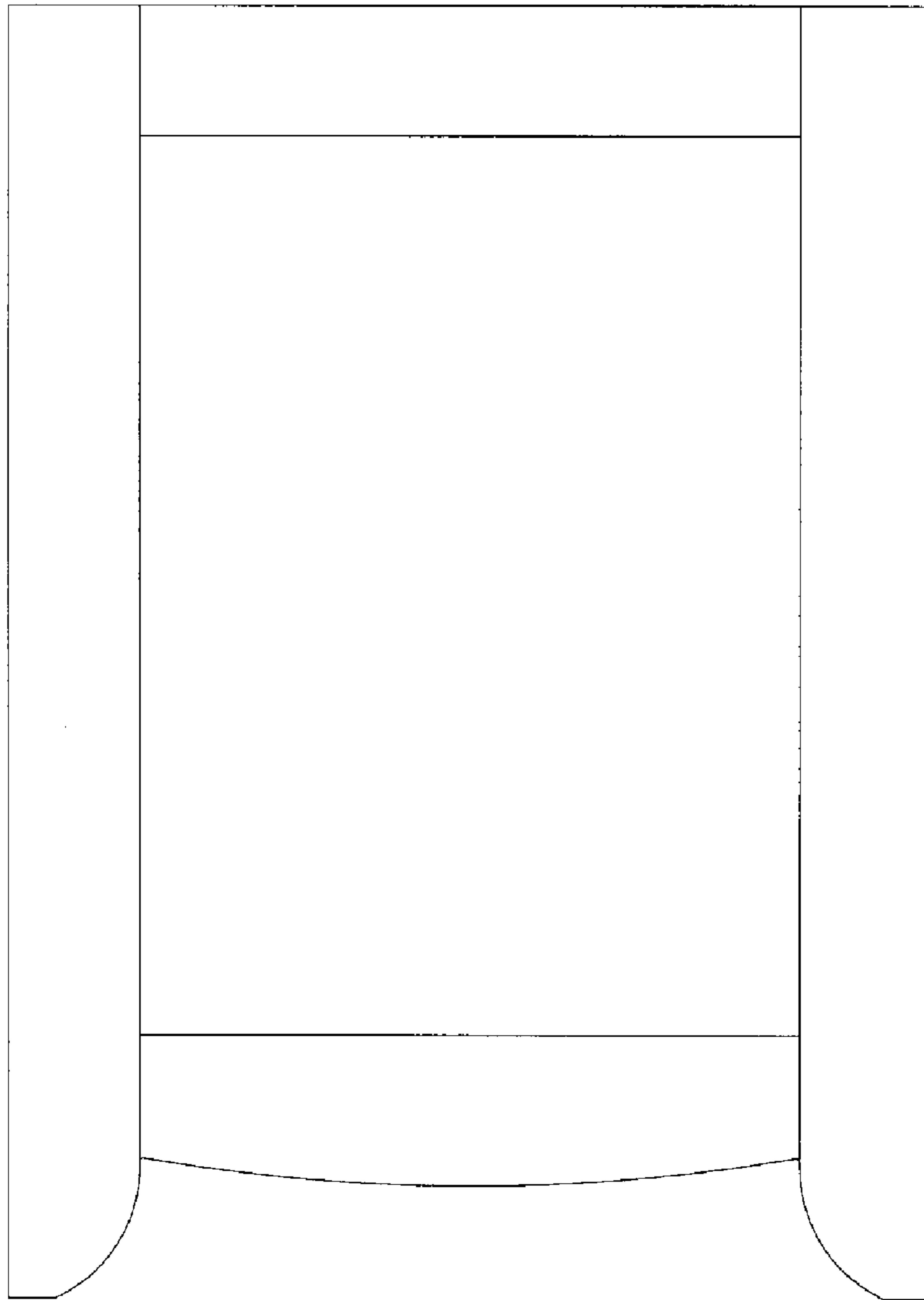


Figure 3

