

US00D566994S

(12) **United States Design Patent**
Marcus

(10) **Patent No.:** **US D566,994 S**

(45) **Date of Patent:** **** Apr. 22, 2008**

(54) **FURNITURE CLIP**

(75) Inventor: **Harvey Marcus**, Elgin, IL (US)

(73) Assignee: **Convenience Concepts, Inc.**, Addison, IL (US)

(**) Term: **14 Years**

(21) Appl. No.: **29/268,242**

(22) Filed: **Nov. 1, 2006**

(51) **LOC (8) Cl.** **06-04**

(52) **U.S. Cl.** **D6/491**

(58) **Field of Classification Search** D6/491,
D6/85, 191; D8/381, 403; 248/235, 250,
248/239; 108/109; 211/134; D25/122,
D25/74, 77; 52/155, 237, 239; 403/173,
403/175, 167-168

See application file for complete search history.

(56) **References Cited**

U.S. PATENT DOCUMENTS

- 2,628,054 A * 2/1953 Fazakerley 248/311.2
- 4,053,132 A * 10/1977 Del Pozzo 248/235
- D265,035 S * 6/1982 Fether et al. D8/403

- D310,455 S * 9/1990 Larsson D6/491
- D339,981 S * 10/1993 Barnes D8/373
- D379,888 S * 6/1997 Cone et al. D6/491

OTHER PUBLICATIONS

<http://www.go-accsense.com>, Printed Oct. 12, 2006; 1 page.

* cited by examiner

Primary Examiner—Elizabeth A. Albert

Assistant Examiner—Kelley A. Donnelly

(74) *Attorney, Agent, or Firm*—Merchant & Gould

(57) **CLAIM**

The ornamental design for a furniture clip, as shown and described.

DESCRIPTION

FIG. 1 is a perspective view of the furniture clip shown positioned on a pole and holding two walls together; and, FIG. 2 is a top view of the furniture clip of FIG. 1. The bottom view of the furniture clip is a mirror image of the top view.

The portion of FIG. 1 in broken lines shows environment and does not form a part of the claimed design.

1 Claim, 1 Drawing Sheet

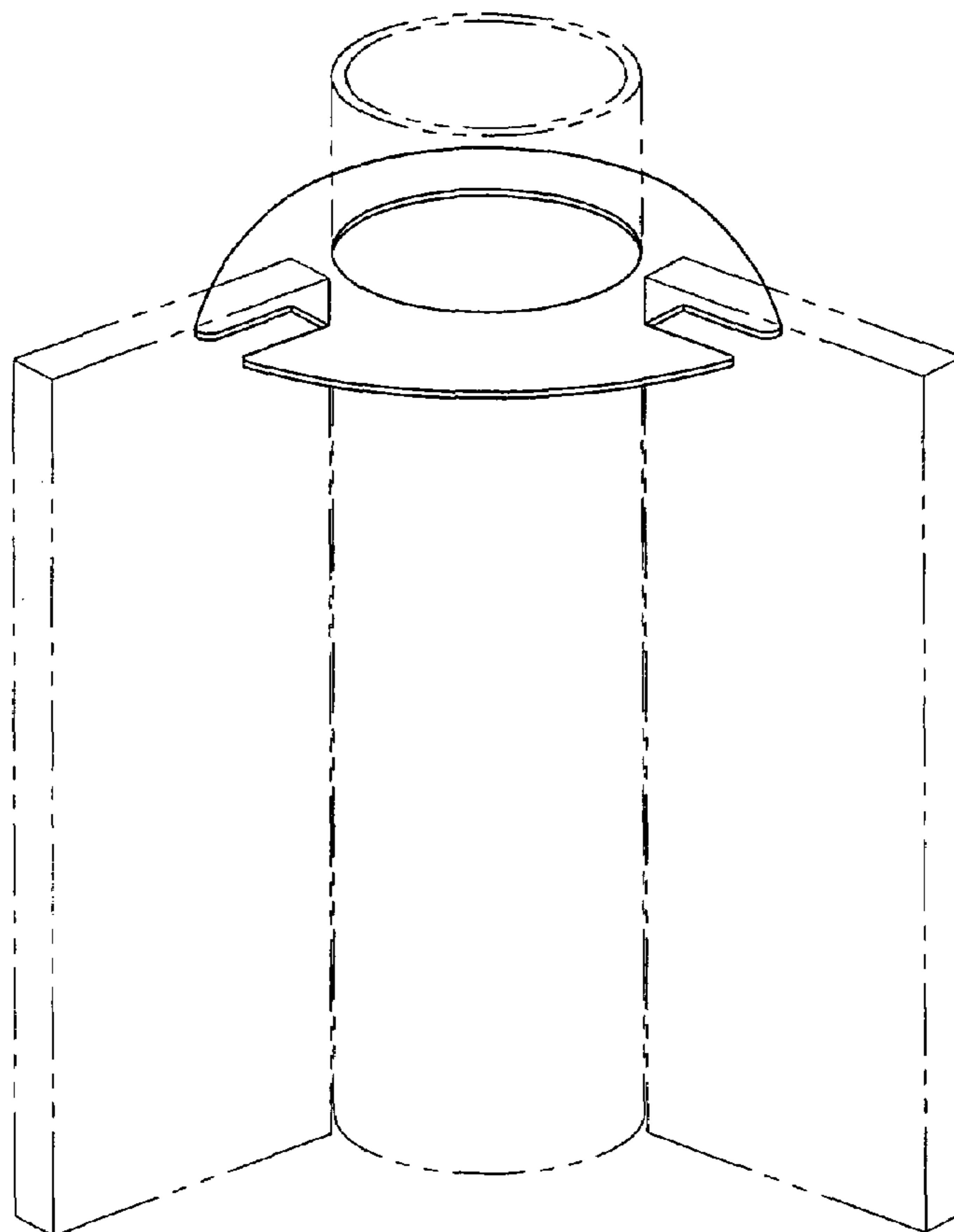


FIG. 1

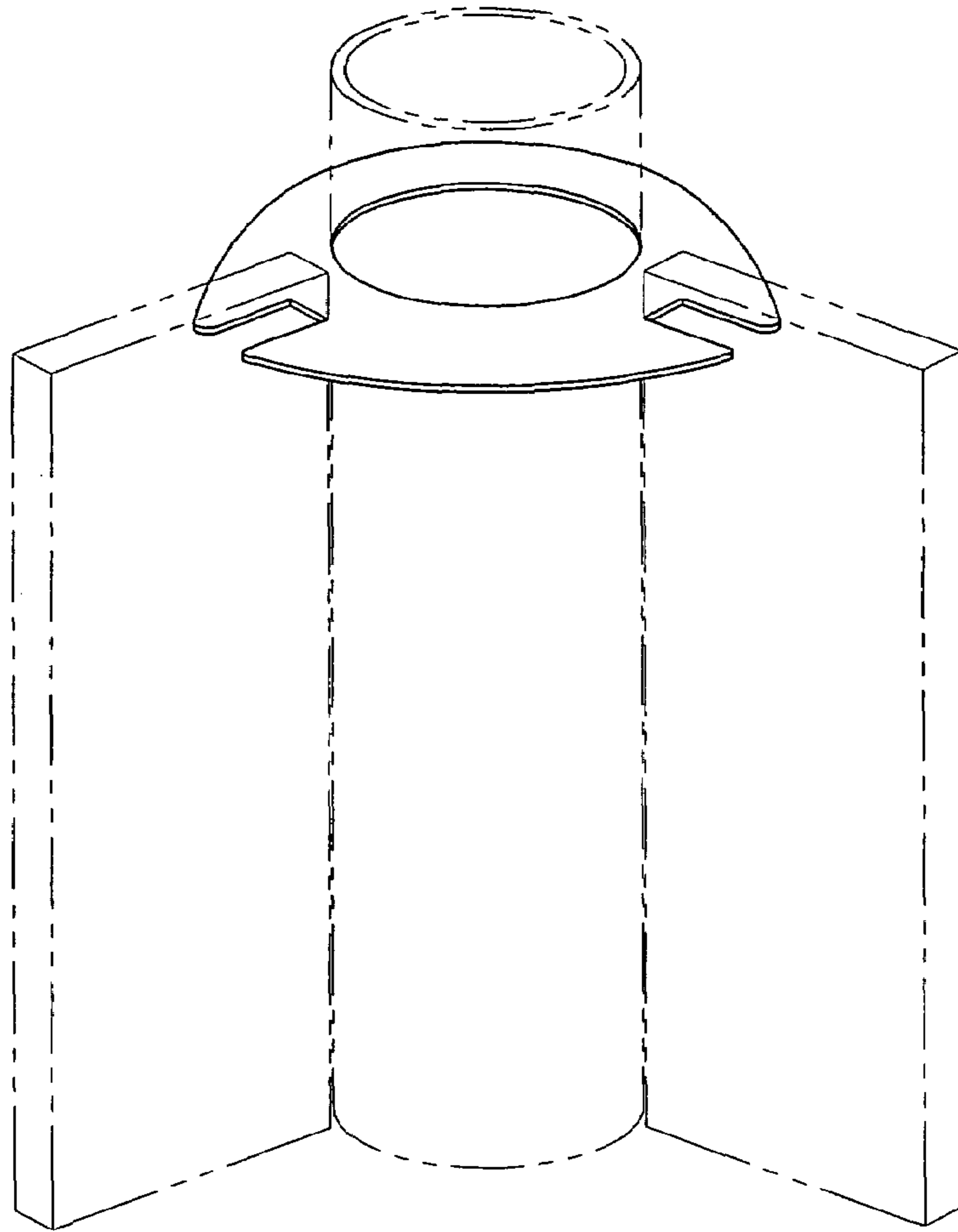


FIG. 2

