



US00D566993S

(12) **United States Design Patent**
Thompson

(10) **Patent No.:** **US D566,993 S**

(45) **Date of Patent:** **** Apr. 22, 2008**

(54) **TABLE**

(75) Inventor: **David W. Thompson**, New Albany, OH (US)

(73) Assignee: **American Signature, Inc.**, Columbus, OH (US)

(**) Term: **14 Years**

(21) Appl. No.: **29/284,946**

(22) Filed: **Sep. 18, 2007**

Related U.S. Application Data

(62) Division of application No. 29/279,201, filed on Apr. 23, 2007, and a division of application No. 29/255,911, filed on Mar. 14, 2006, now Pat. No. Des. 555,940.

(51) **LOC (8) Cl.** **06-03**

(52) **U.S. Cl.** **D6/487; D6/483**

(58) **Field of Classification Search** D6/480-489, D6/495-499, 511; 108/150, 151, 153.1, 108/155, 156, 157.1, 161; 248/188, 188.1, 248/188.7, 188.8

See application file for complete search history.

(56) **References Cited**

U.S. PATENT DOCUMENTS

- D109,790 S * 5/1938 Salomon D6/483
- D115,119 S 6/1939 Marano
- D151,579 S * 11/1948 Appell et al. D6/483
- D159,609 S 8/1950 Goldberg
- D181,538 S 11/1957 Lubberts et al.
- D200,912 S 4/1965 Cleinman
- 4,003,320 A 1/1977 Owens et al.
- D346,714 S 5/1994 Ferguson

- D348,791 S 7/1994 Keller
- D394,767 S 6/1998 Nourse
- D422,811 S 4/2000 O'Hare
- D436,467 S 1/2001 McGee
- D436,471 S 1/2001 Rehmert et al.
- D469,638 S 2/2003 O'Hare
- D480,238 S 10/2003 O'Hare
- D503,863 S 4/2005 Vanderminden, Sr.
- D507,130 S 7/2005 Mohundro
- D539,063 S 3/2007 Haag

OTHER PUBLICATIONS

Schoner Wohen May 5, 1998, p. 84, Shine De Padova Table at top right.

Smith and Hawkin, Jan. 14, 1997, p. 51, Sienna Folding Table at top right.

* cited by examiner

Primary Examiner—Janice E. Seeger

(74) *Attorney, Agent, or Firm*—Wood, Herron & Evans, L.L.P.

(57) **CLAIM**

The ornamental design for a table, as shown and described.

DESCRIPTION

FIG. 1 is a perspective view of a first embodiment of a table showing my new design.

FIG. 2 is a top plan view thereof.

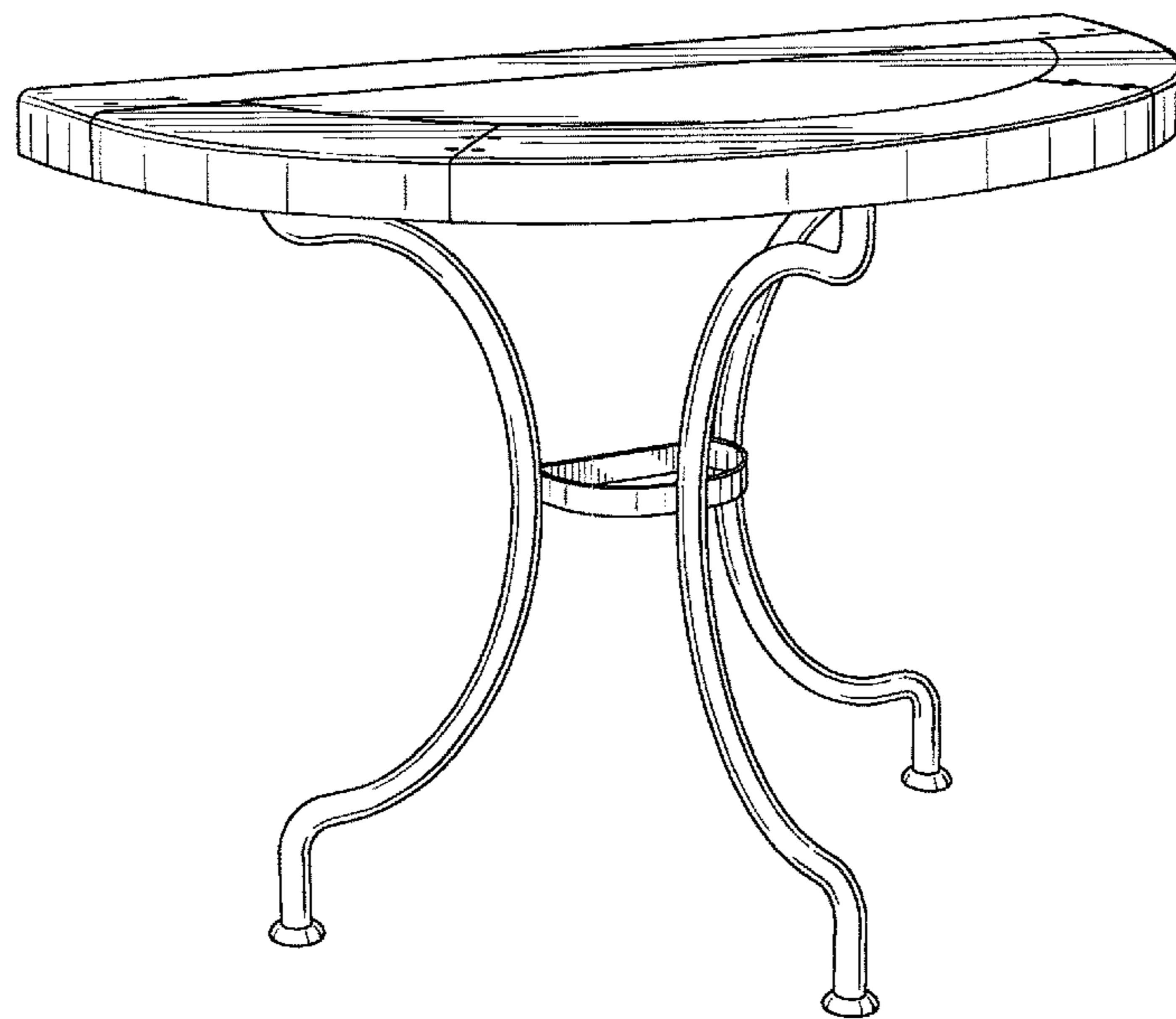
FIG. 3 is a front elevational view thereof.

FIG. 4 is a right-side elevational view thereof, with the left-side elevational view thereof being a mirror image.

FIG. 5 is a rear elevational view thereof; and,

FIG. 6 is a bottom plan view thereof.

1 Claim, 3 Drawing Sheets



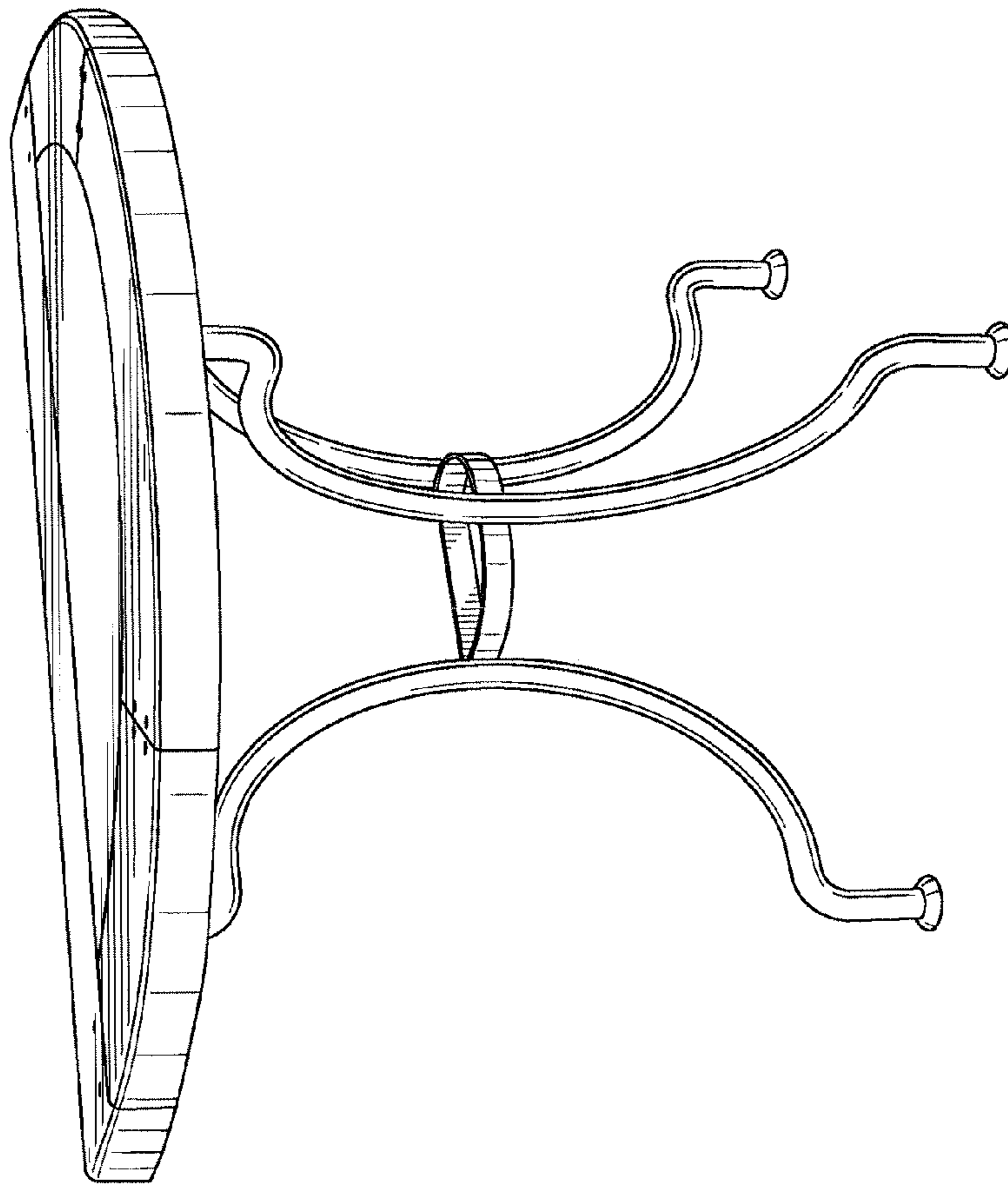


FIG. 1

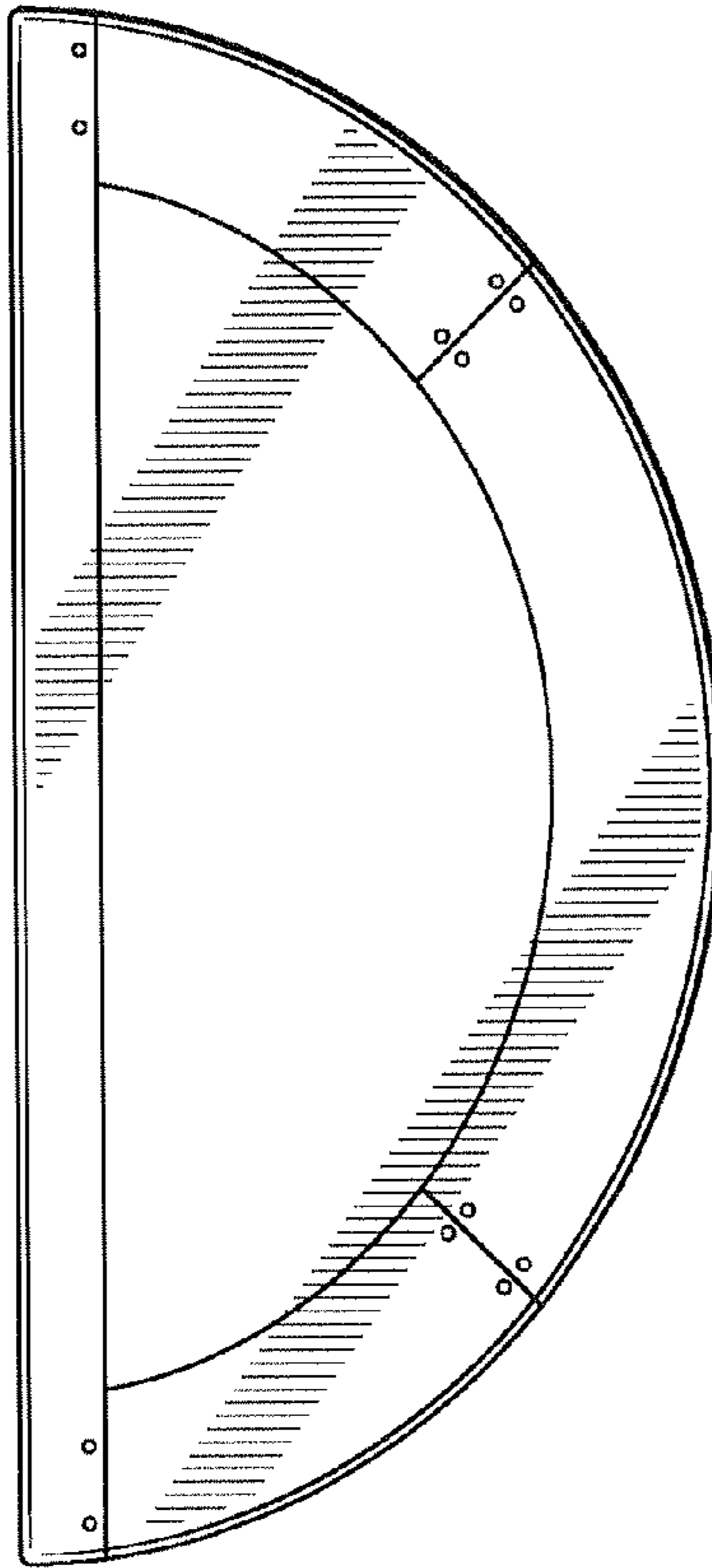


FIG. 2

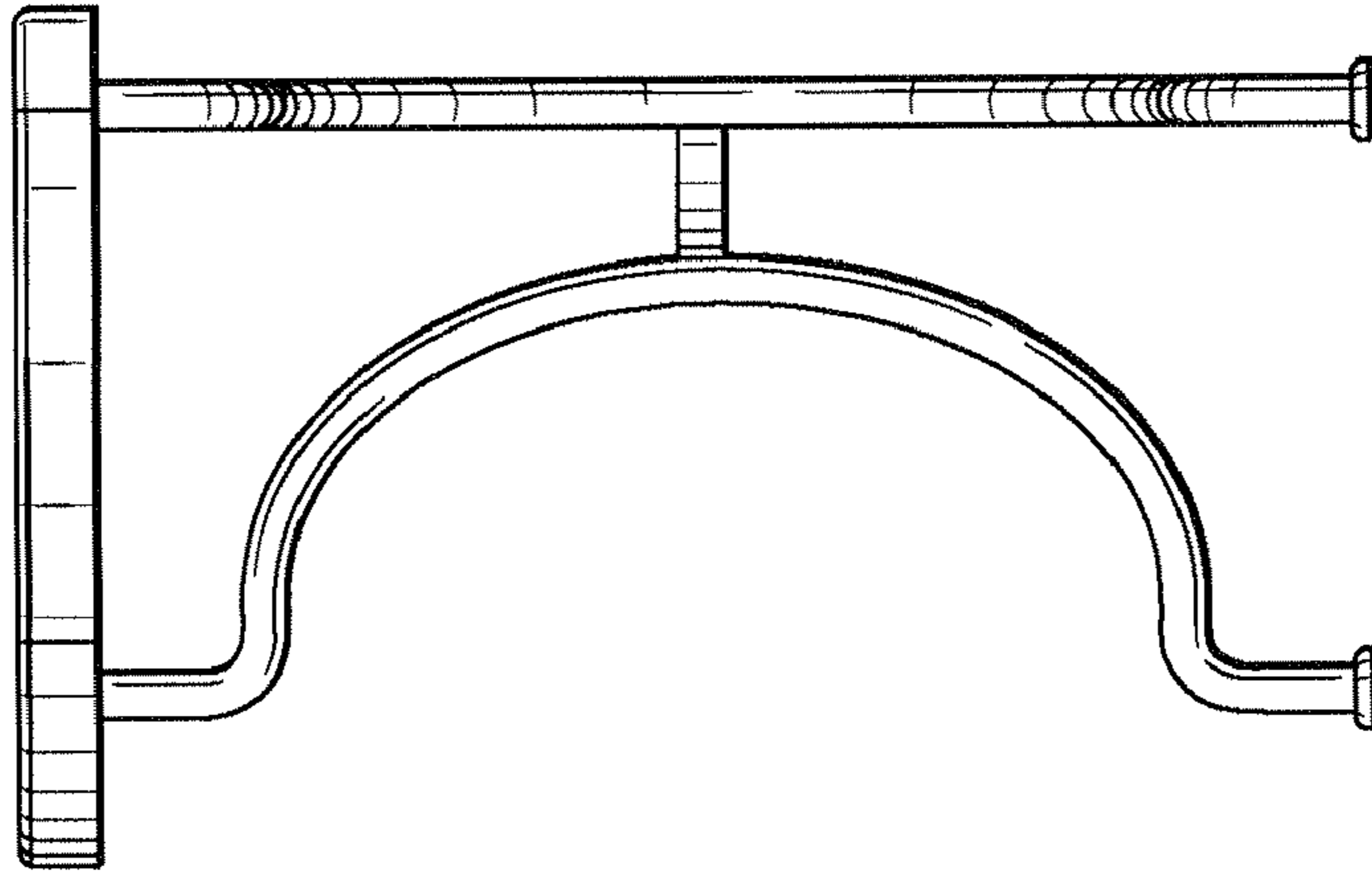


FIG. 4

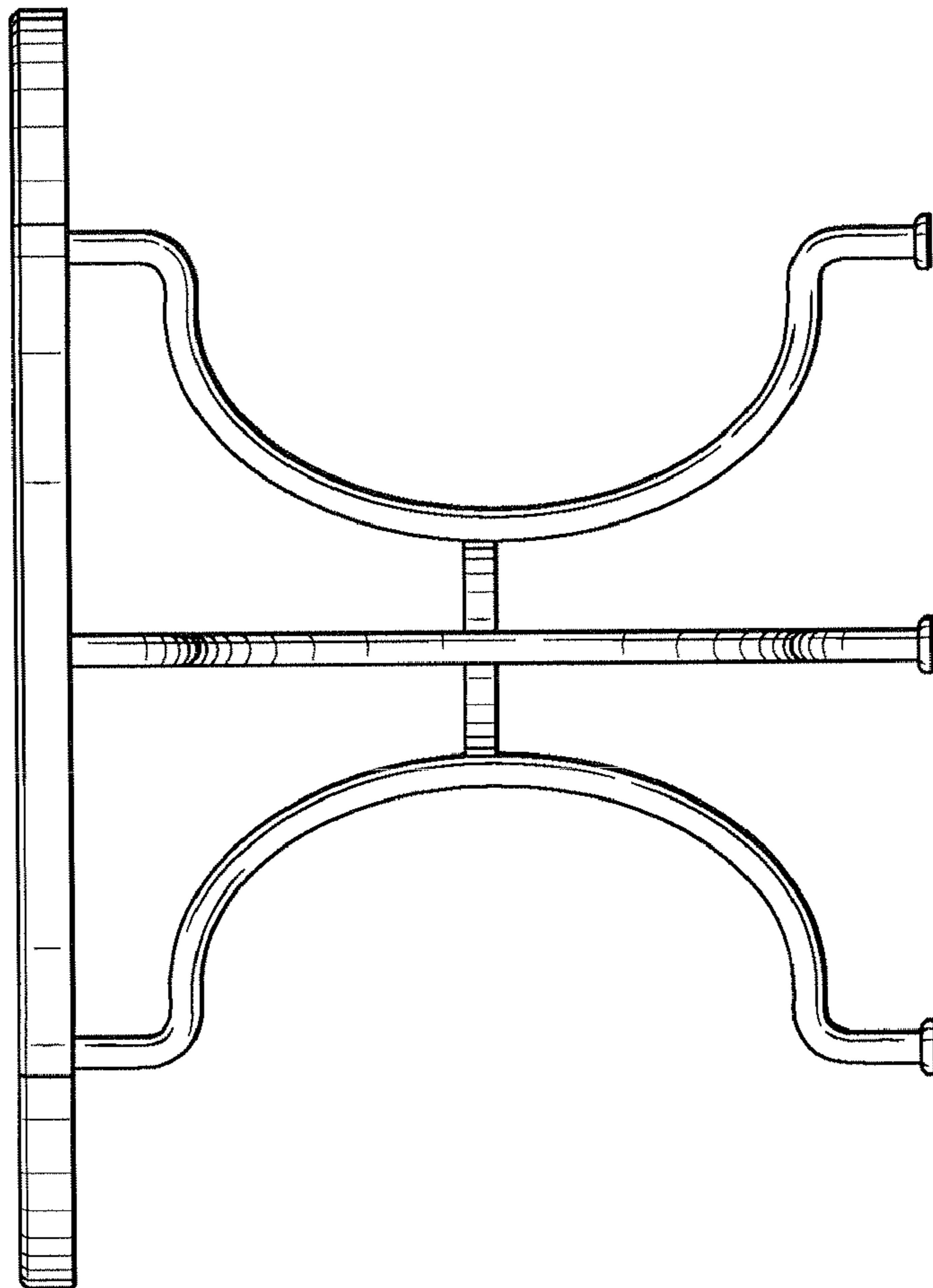


FIG. 3

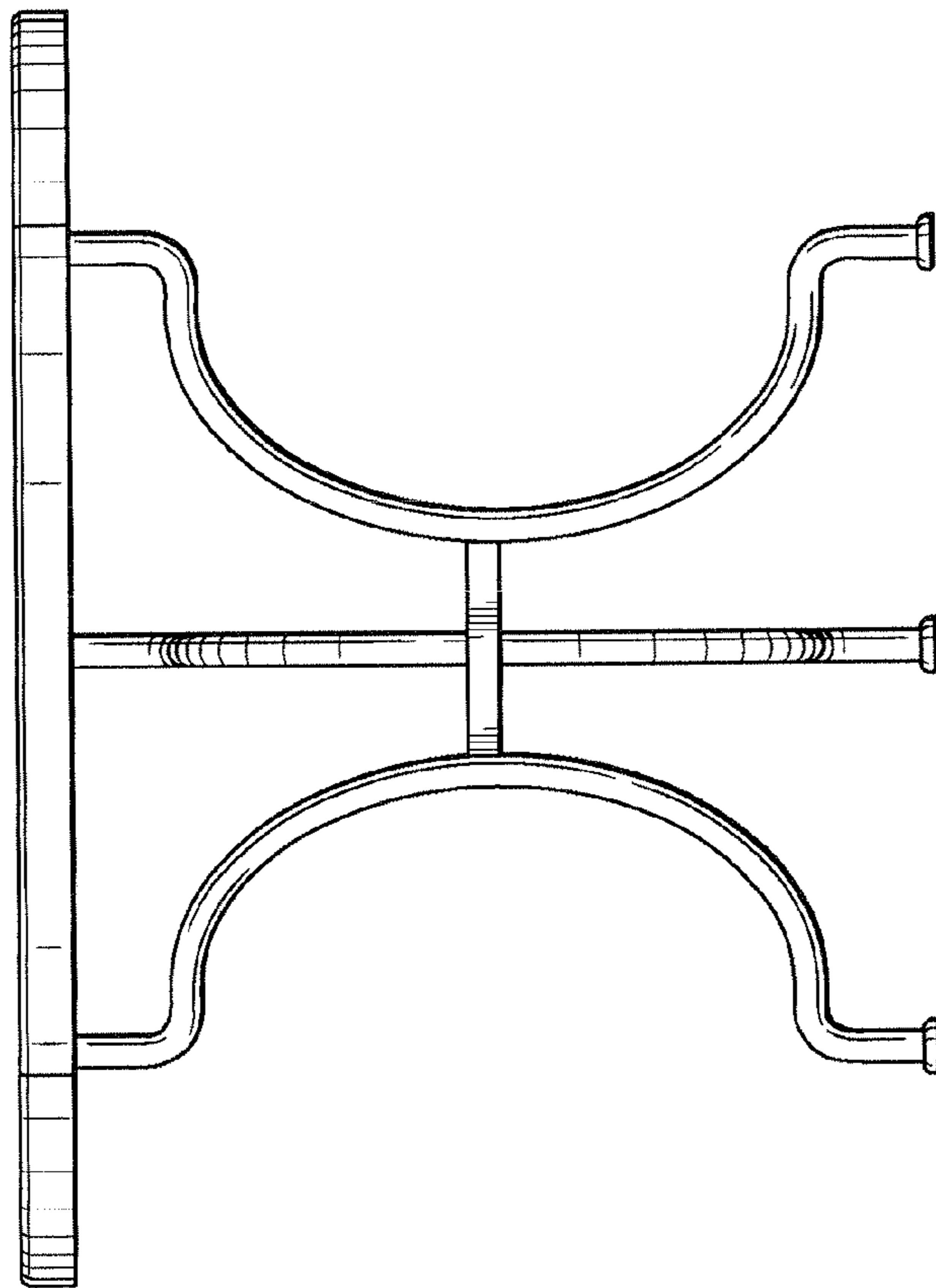


FIG. 5

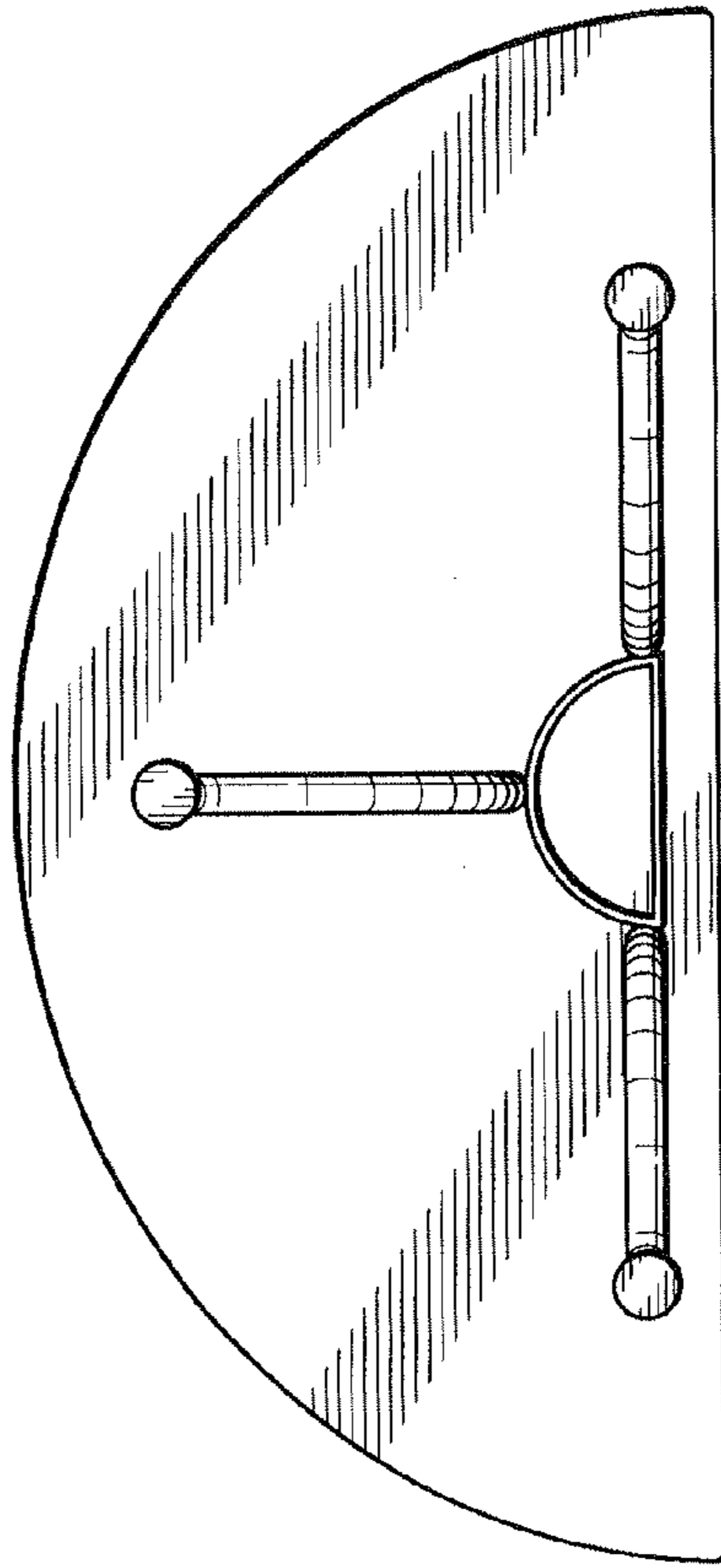


FIG. 6