



US00D566992S

(12) **United States Design Patent**
Öngör

(10) **Patent No.:** **US D566,992 S**

(45) **Date of Patent:** **** Apr. 22, 2008**

(54) **TELEVISION STAND**

(75) Inventor: **Murat Öngör**, Istanbul (TR)

(73) Assignee: **Atil Elektronik ses ve Goruntu Sistemleri ve Gida Urunleri Sanayi ve Ticaret Limited Sirketi**, Istanbul (TR)

(**) Term: **14 Years**

(21) Appl. No.: **29/295,503**

(22) Filed: **Sep. 28, 2007**

Related U.S. Application Data

(63) Continuation-in-part of application No. 29/275,738, filed on Jan. 4, 2007.

(51) **LOC (8) Cl.** **06-04**

(52) **U.S. Cl.** **D6/479**

(58) **Field of Classification Search** D6/477-479, D6/474, 407; D14/239; D34/21; 108/64, 108/91-93, 107, 149, 151; 211/42-43, 49.1, 211/85.26, 134, 153, 187-190, 207
See application file for complete search history.

(56) **References Cited**

U.S. PATENT DOCUMENTS

- D472,074 S * 3/2003 de Carolis D6/479
- D491,753 S * 6/2004 deCarolis D6/479
- D495,164 S * 8/2004 Chang D6/479

- D497,061 S * 10/2004 Decarolis D6/479
- D506,329 S * 6/2005 Sexton D6/477
- D507,433 S * 7/2005 Portnoy D6/477
- D508,172 S * 8/2005 Malizia D6/477
- D519,757 S * 5/2006 Portnoy D6/479
- D520,268 S * 5/2006 Sexton D6/479
- D525,052 S * 7/2006 Malizia D6/474
- D526,513 S * 8/2006 Moyle et al. D6/479
- D535,497 S * 1/2007 Portnoy D6/477

* cited by examiner

Primary Examiner—Elizabeth A. Albert

Assistant Examiner—Kelley A Donnelly

(74) *Attorney, Agent, or Firm*—Egbert Law Offices

(57) **CLAIM**

The ornamental design for a television stand, as shown and described.

DESCRIPTION

FIG. 1 is a perspective view of the television stand showing my design.

FIG. 2 is a front view thereof;

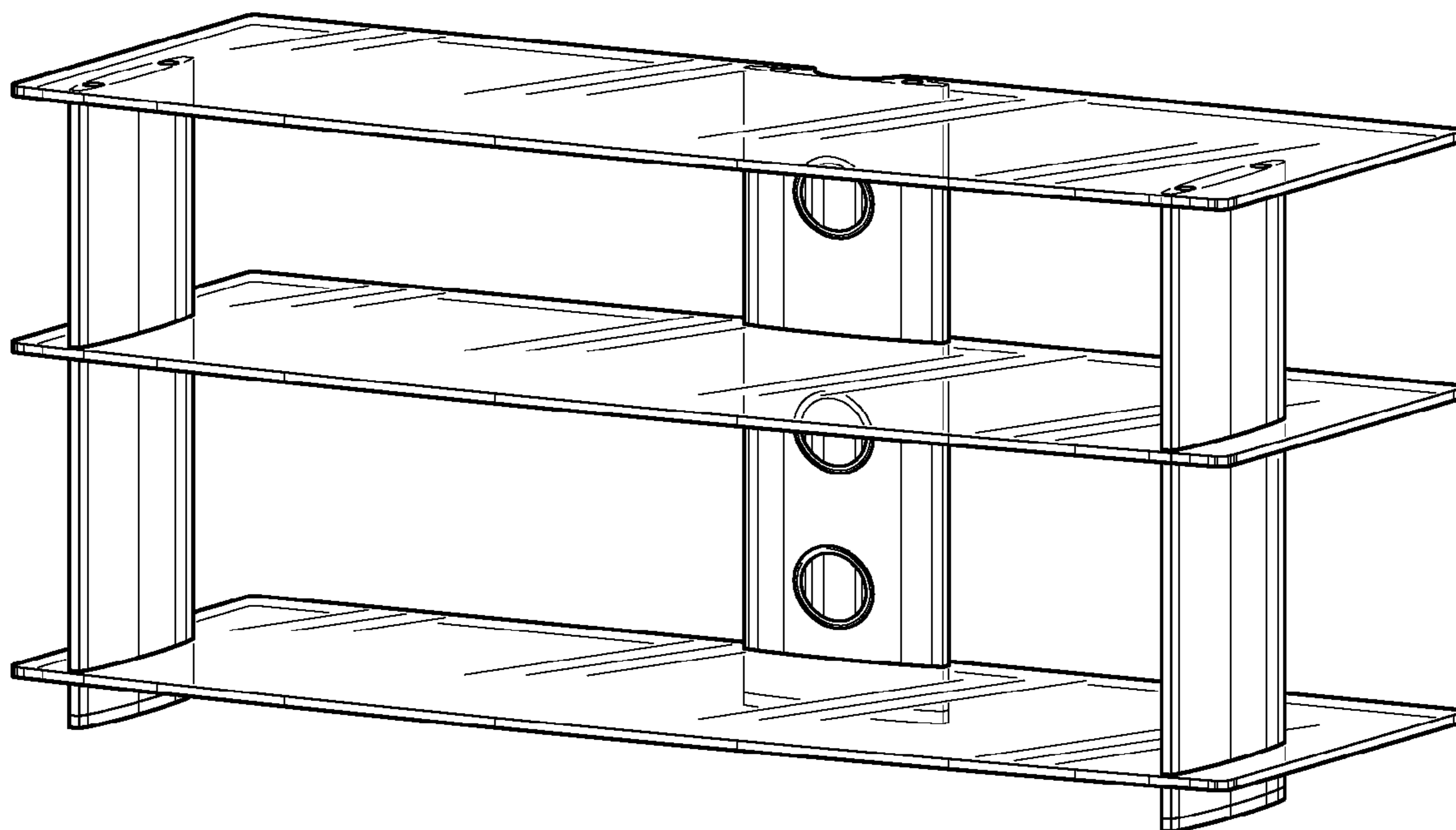
FIG. 3 is a back view thereof;

FIG. 4 is a side view thereof, an opposite side view being a mirror image thereof;

FIG. 5 is a top plan view thereof; and,

FIG. 6 is a bottom view thereof.

1 Claim, 3 Drawing Sheets



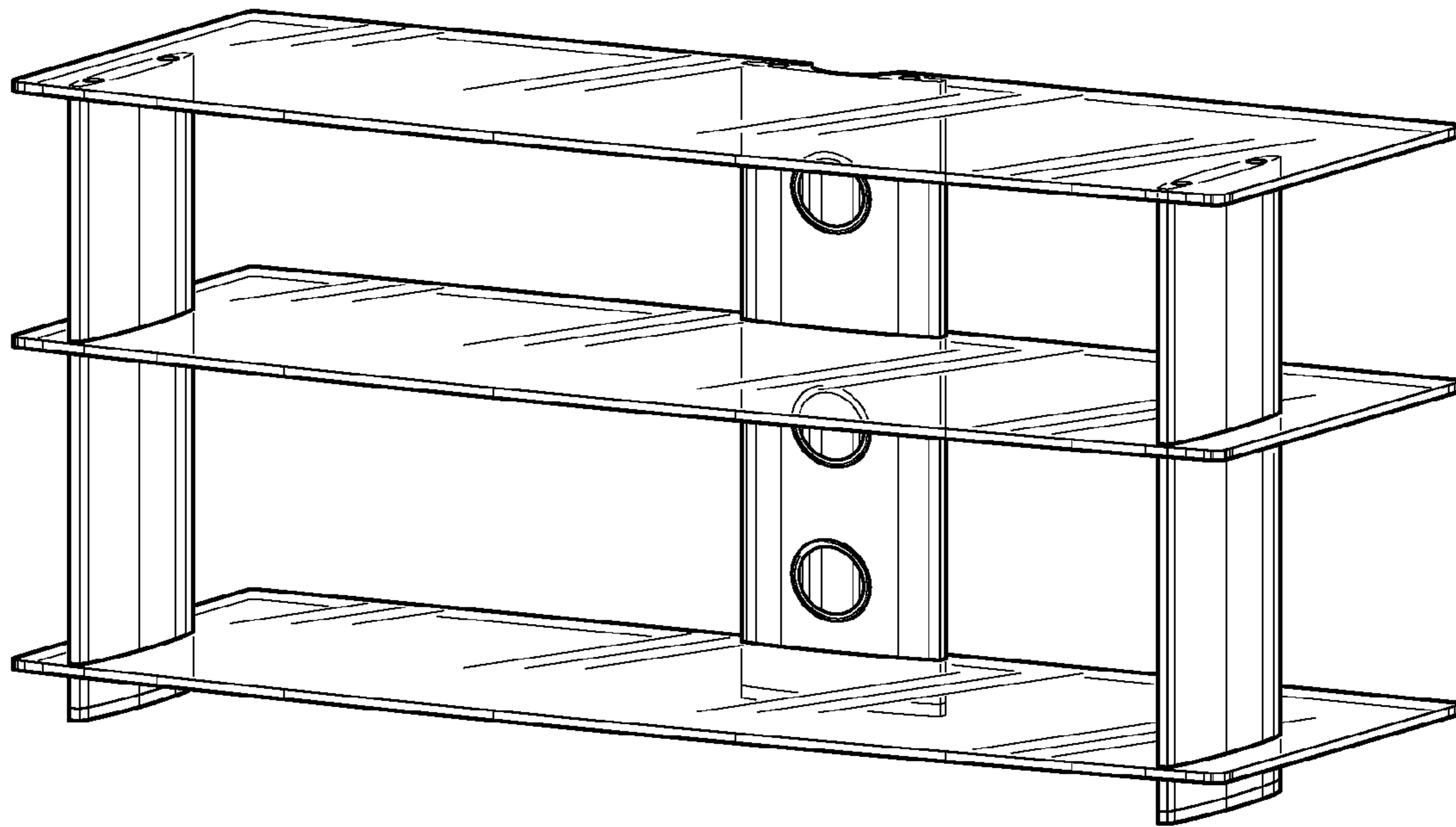


FIG. 1

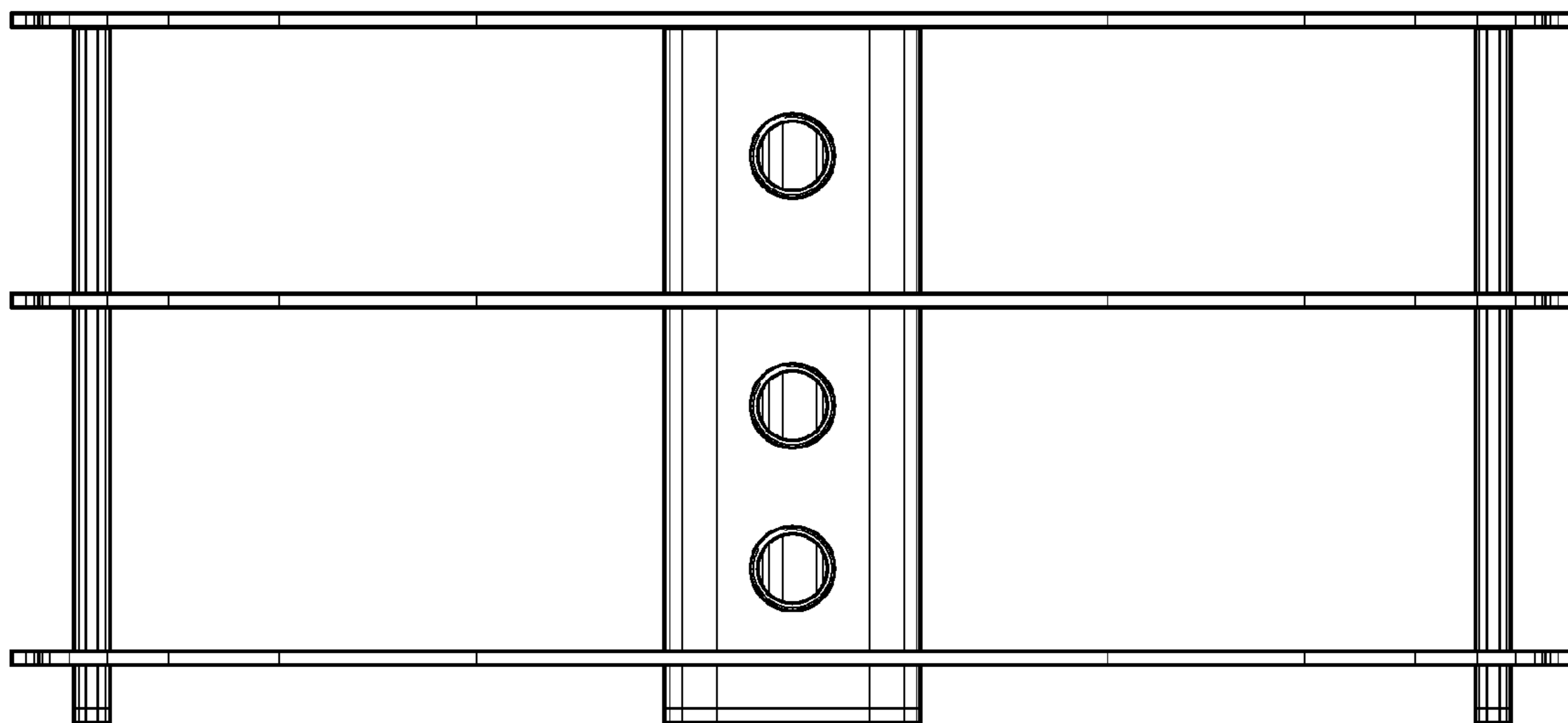


FIG. 2

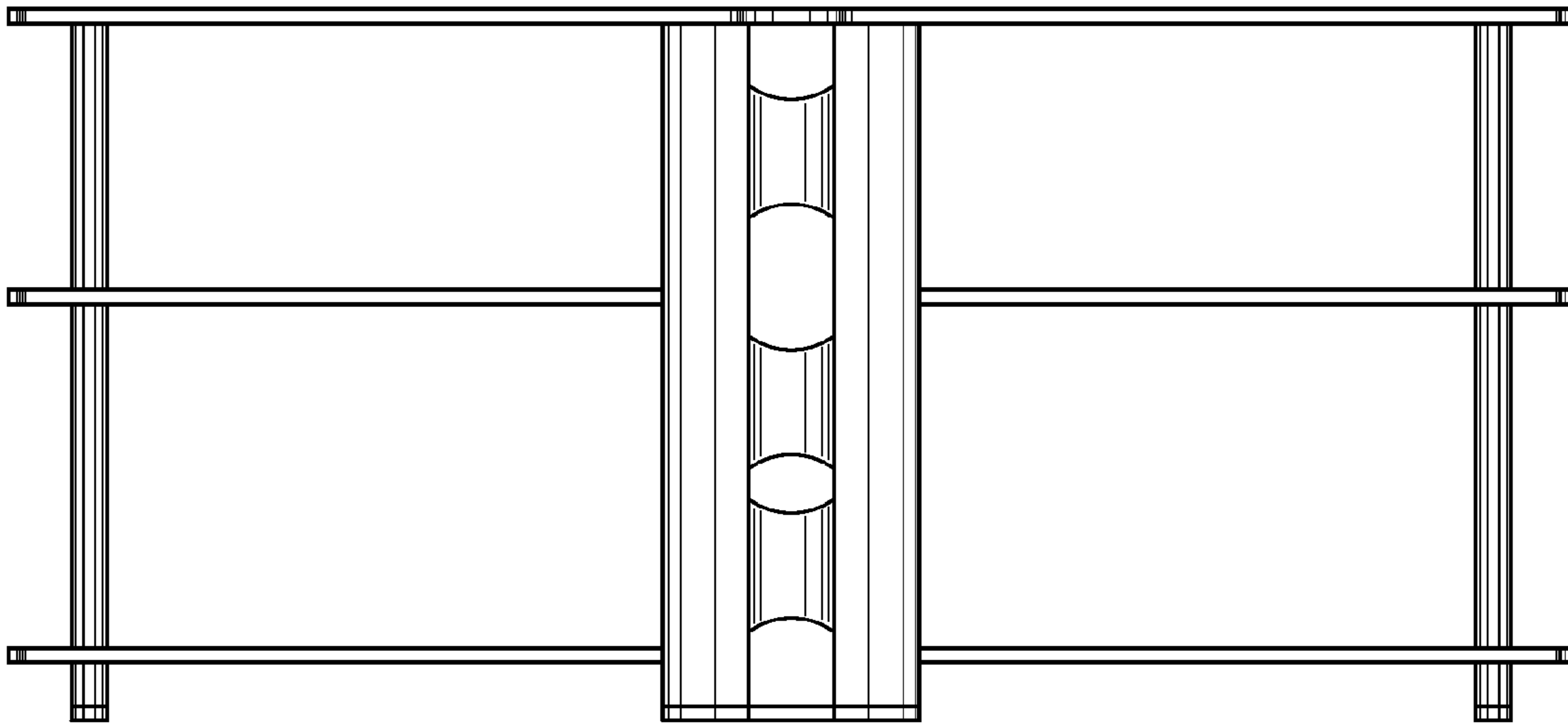


FIG. 3

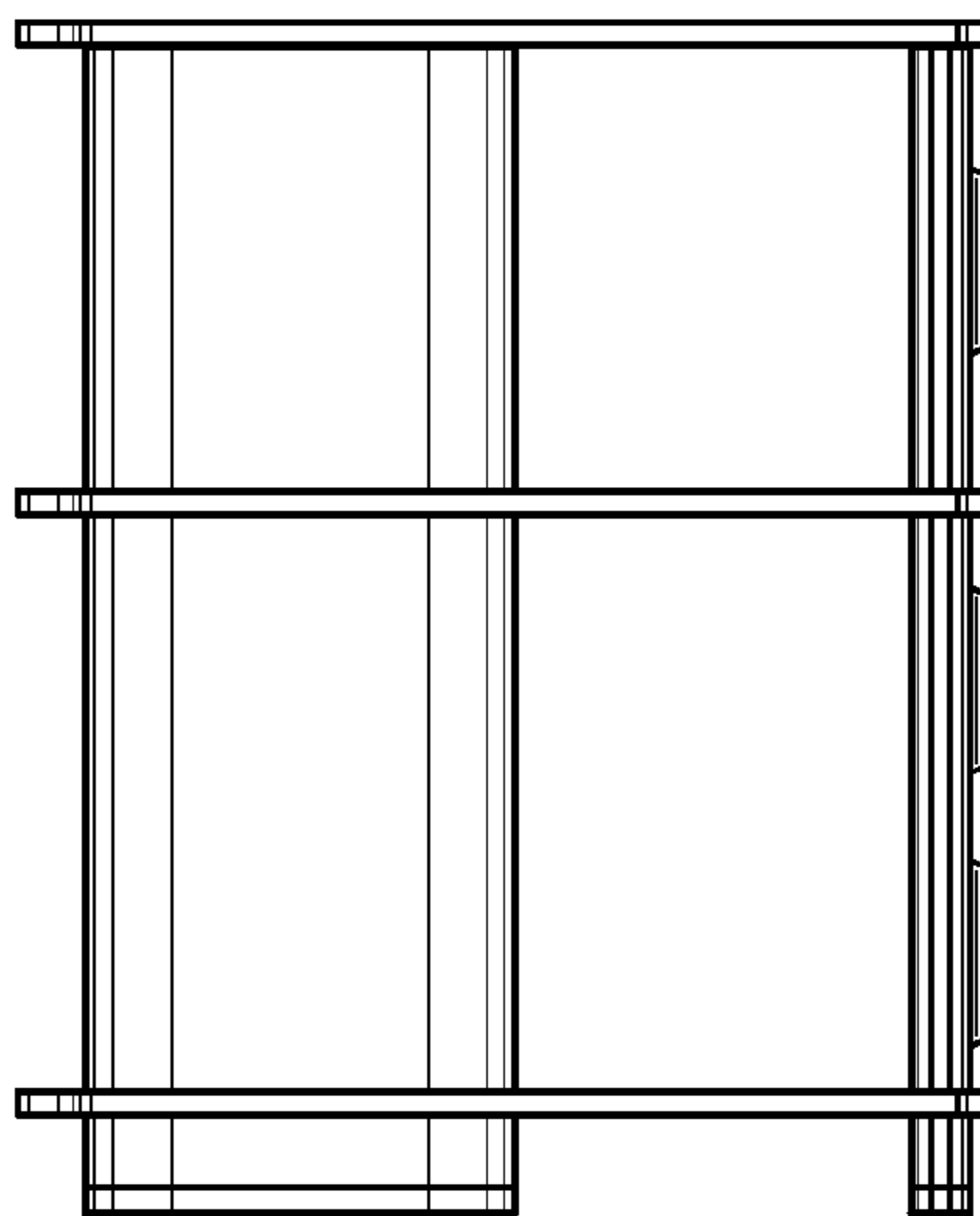


FIG. 4

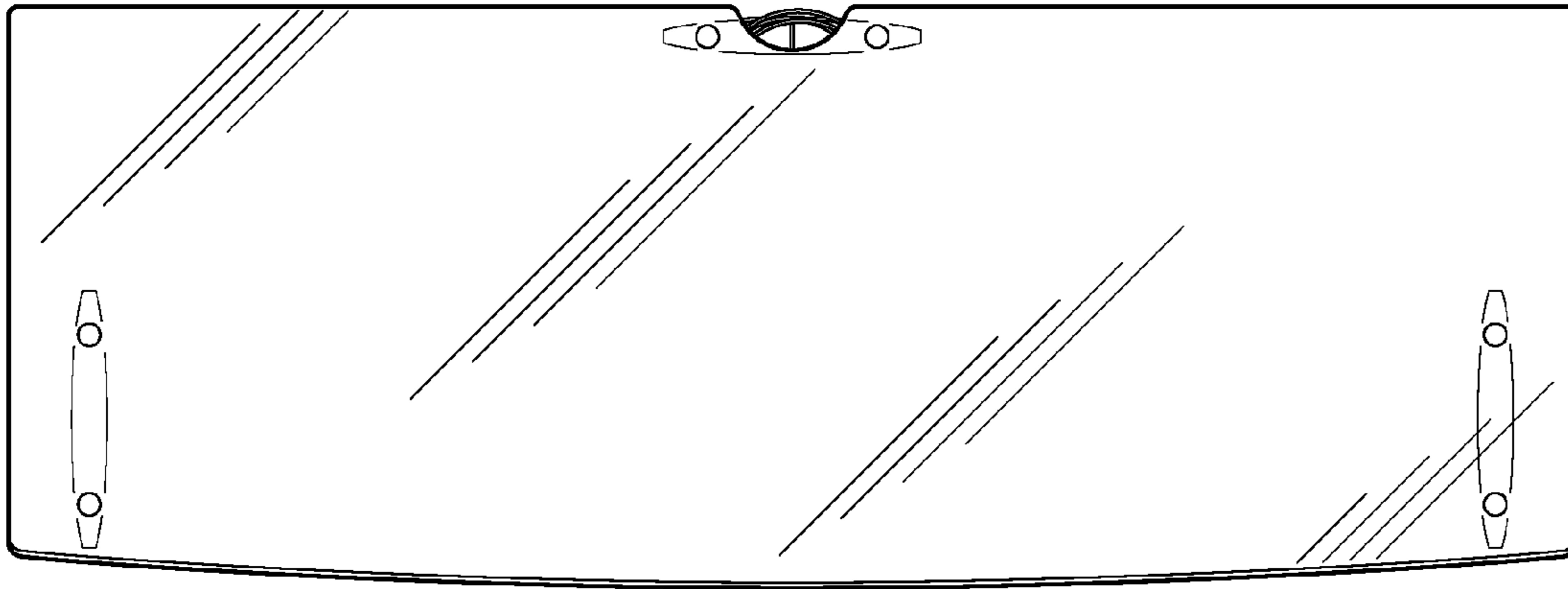


FIG. 5

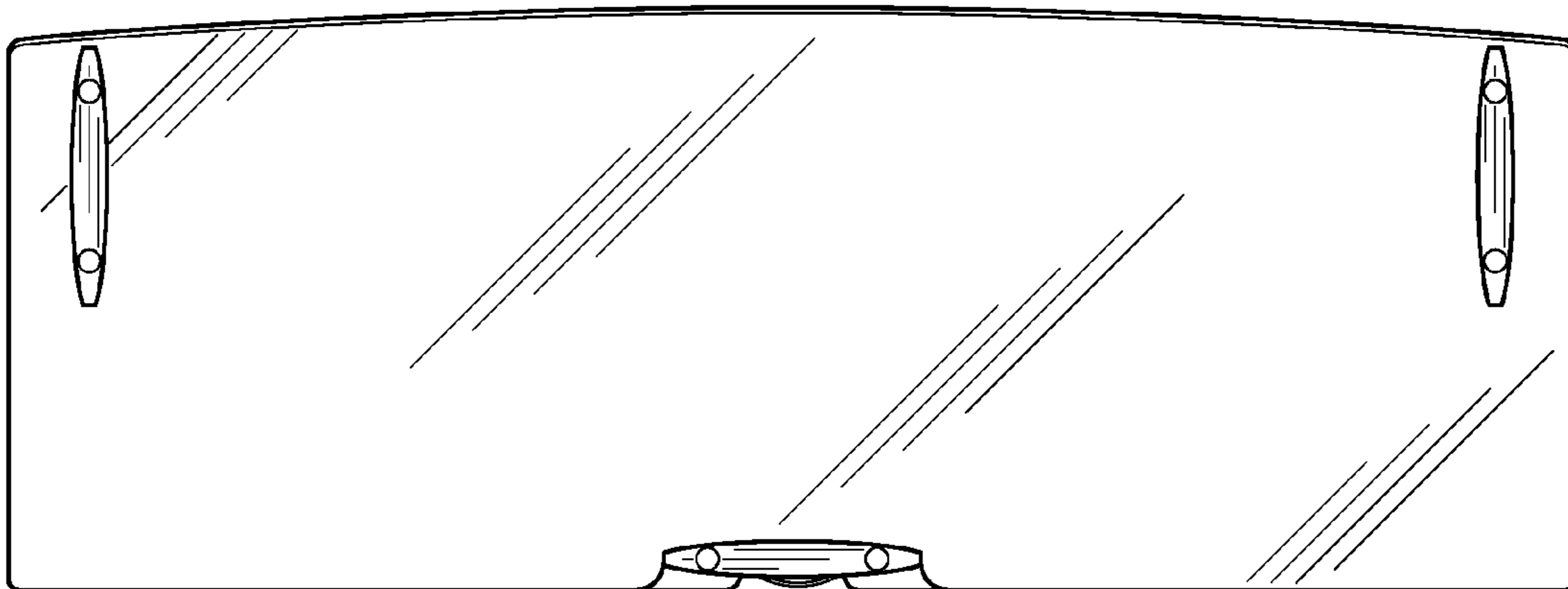


FIG. 6