



US00D566988S

(12) **United States Design Patent** (10) **Patent No.:** **US D566,988 S**  
**Davis** (45) **Date of Patent:** **\*\* Apr. 22, 2008**

(54) **LATERAL FILE**  
(76) **Inventor:** **Bradford L. Davis**, 15151 Buchanan St., West Olive, MI (US) 49460  
(\*\*) **Term:** **14 Years**  
(21) **Appl. No.:** **29/279,865**  
(22) **Filed:** **May 9, 2007**

(51) **LOC (8) Cl.** ..... **06-04**  
(52) **U.S. Cl.** ..... **D6/440**  
(58) **Field of Classification Search** ..... D6/432-433, D6/436-441, 444-448, 510; D3/272, 273, D3/294; 312/114, 138.1, 204, 257.1  
See application file for complete search history.

(56) **References Cited**

**U.S. PATENT DOCUMENTS**

D78,454 S *	5/1929	Dworkis	.....	D6/446
D248,704 S *	8/1978	Gayda	.....	D6/433
D307,985 S *	5/1990	Hoff	.....	D6/440
D367,779 S *	3/1996	Kozo	.....	D6/448
D389,646 S *	1/1998	Sankey et al.	.....	D3/294
D407,237 S *	3/1999	Stangl	.....	D6/440
D410,350 S *	6/1999	Stangl	.....	D6/440

\* cited by examiner

*Primary Examiner*—Mimosa De  
(74) *Attorney, Agent, or Firm*—Warner Norcross & Judd LLP

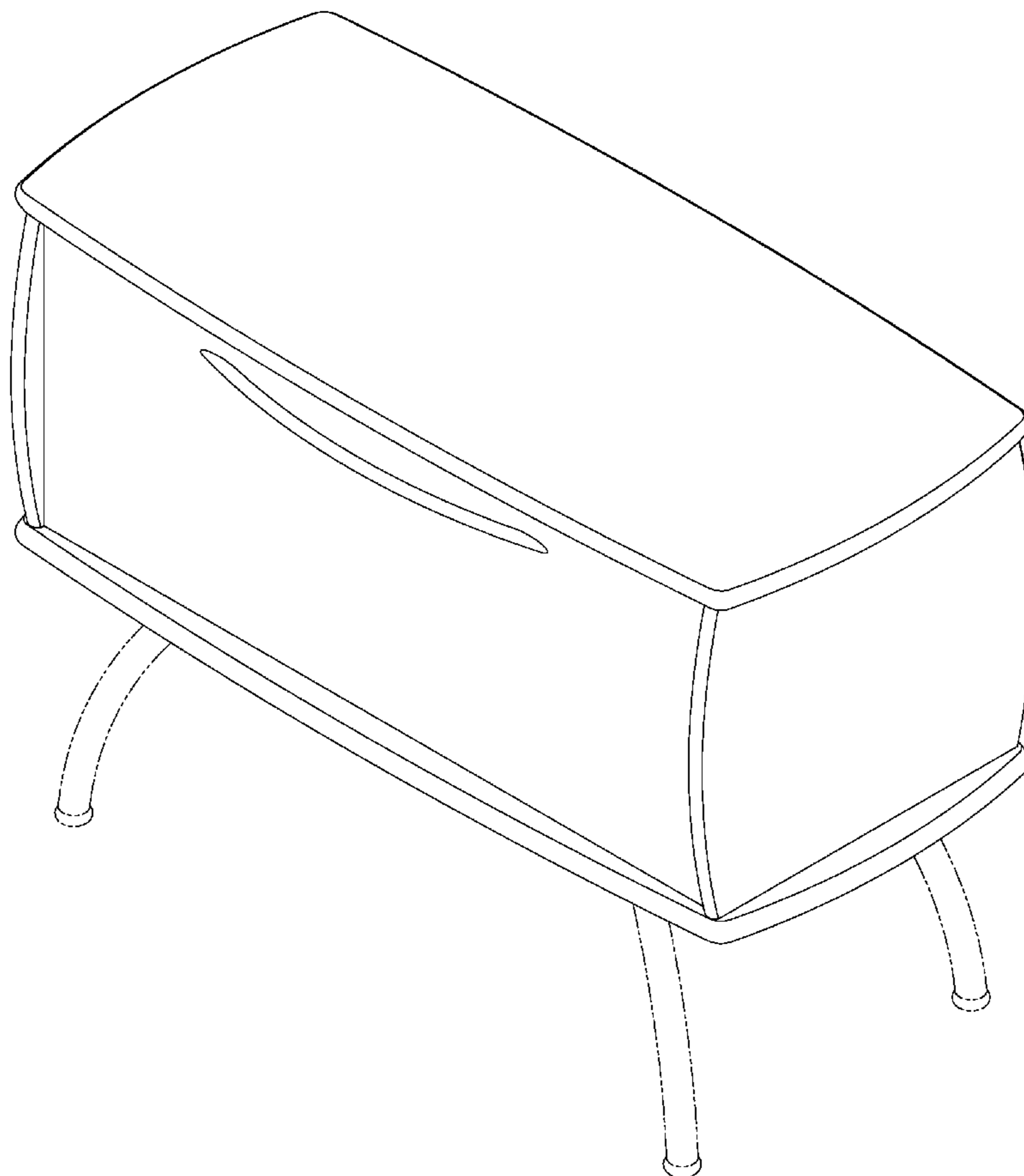
(57) **CLAIM**

The ornamental design for lateral file, as shown and described.

**DESCRIPTION**

FIG. 1 is a perspective view of the lateral file embodying my new design;  
FIG. 2 is a top plan view thereof;  
FIG. 3 is a bottom plan view thereof;  
FIG. 4 is a front elevational view thereof;  
FIG. 5 is a rear elevational view thereof; and,  
FIG. 6 is a right side elevational view thereof, the left side elevational view being a mirror image thereof.  
FIGS. 1 and 3-6 show portions of the lateral file in phantom lines. The phantom line portions are shown for environmental purposes and form no part of the claimed design.

**1 Claim, 6 Drawing Sheets**



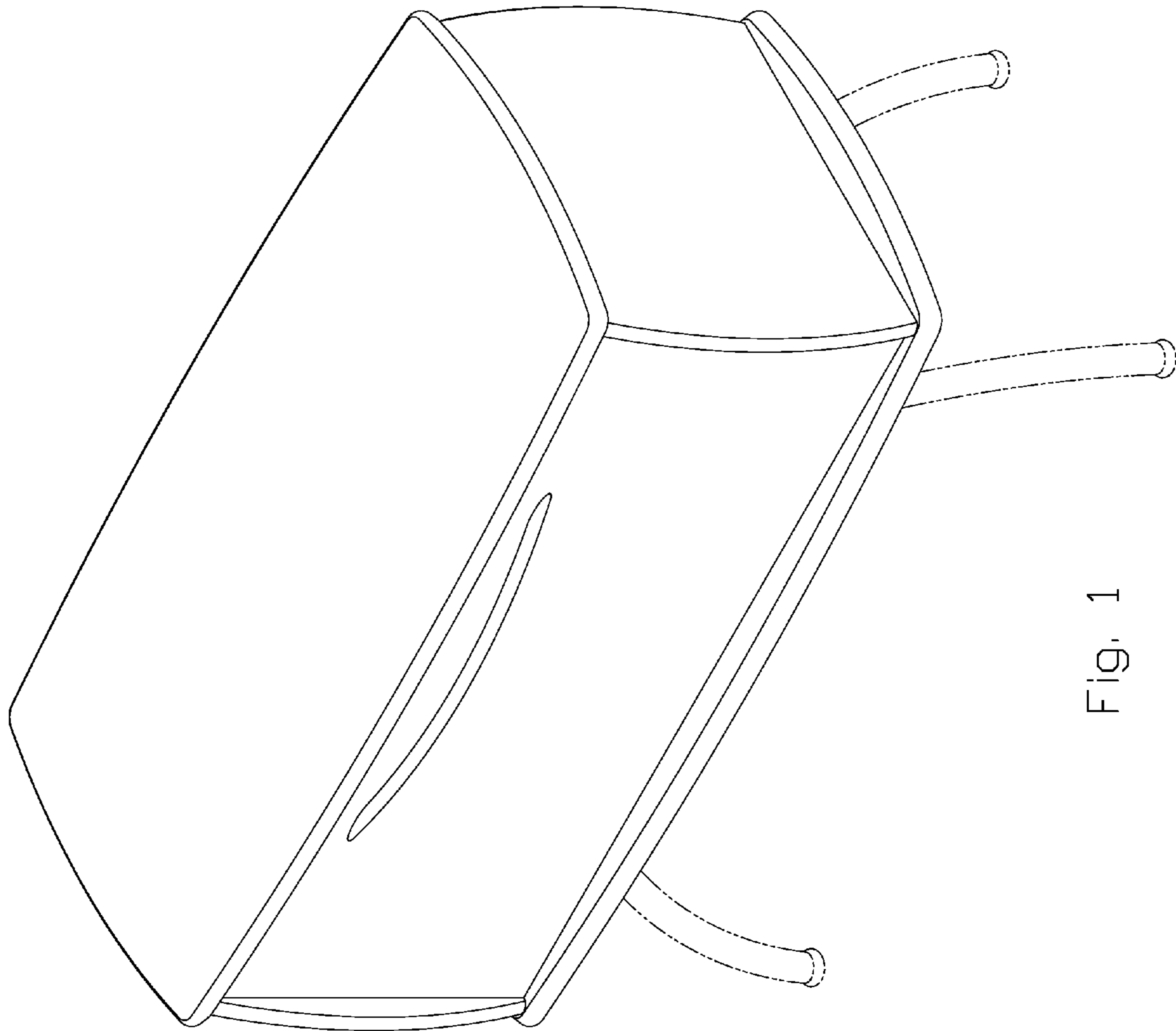


Fig. 1

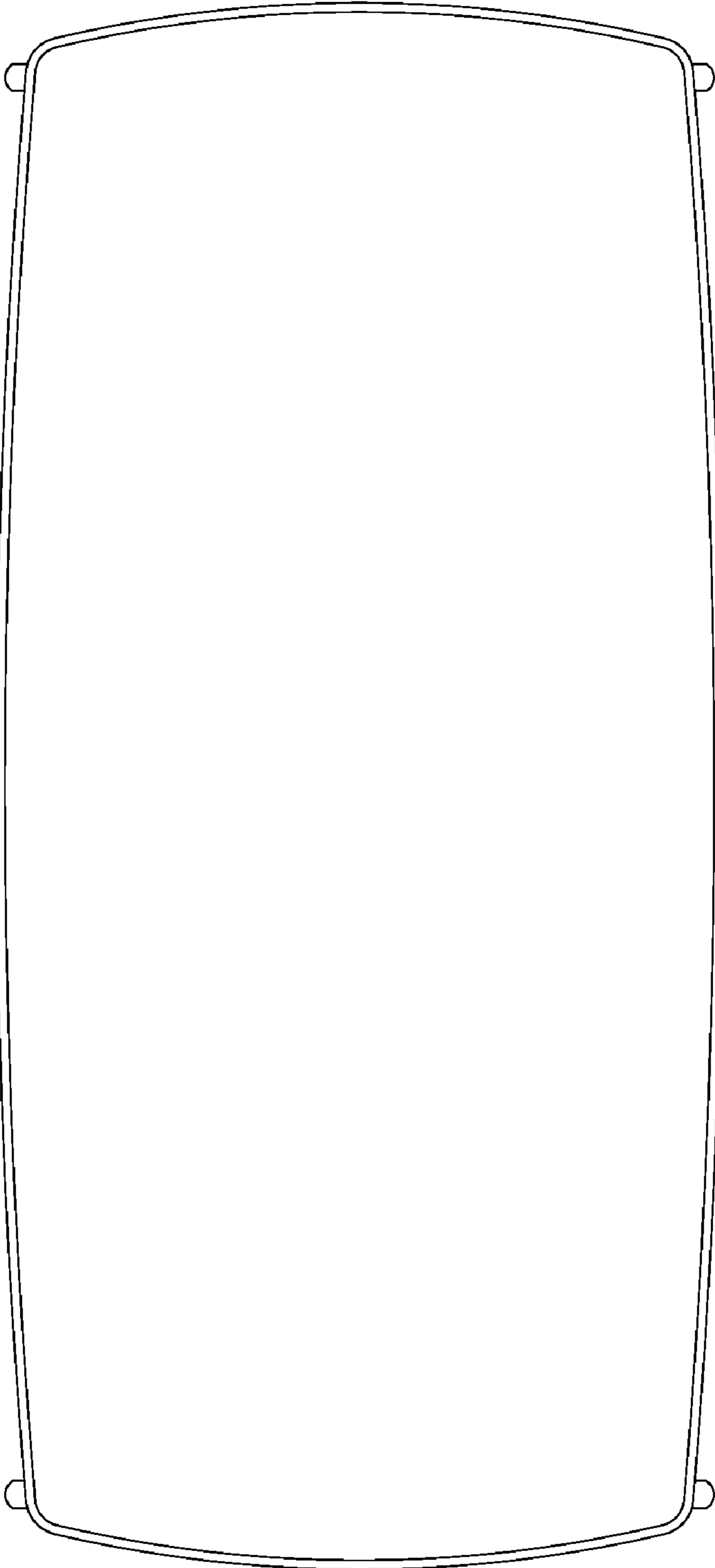


Fig. 2

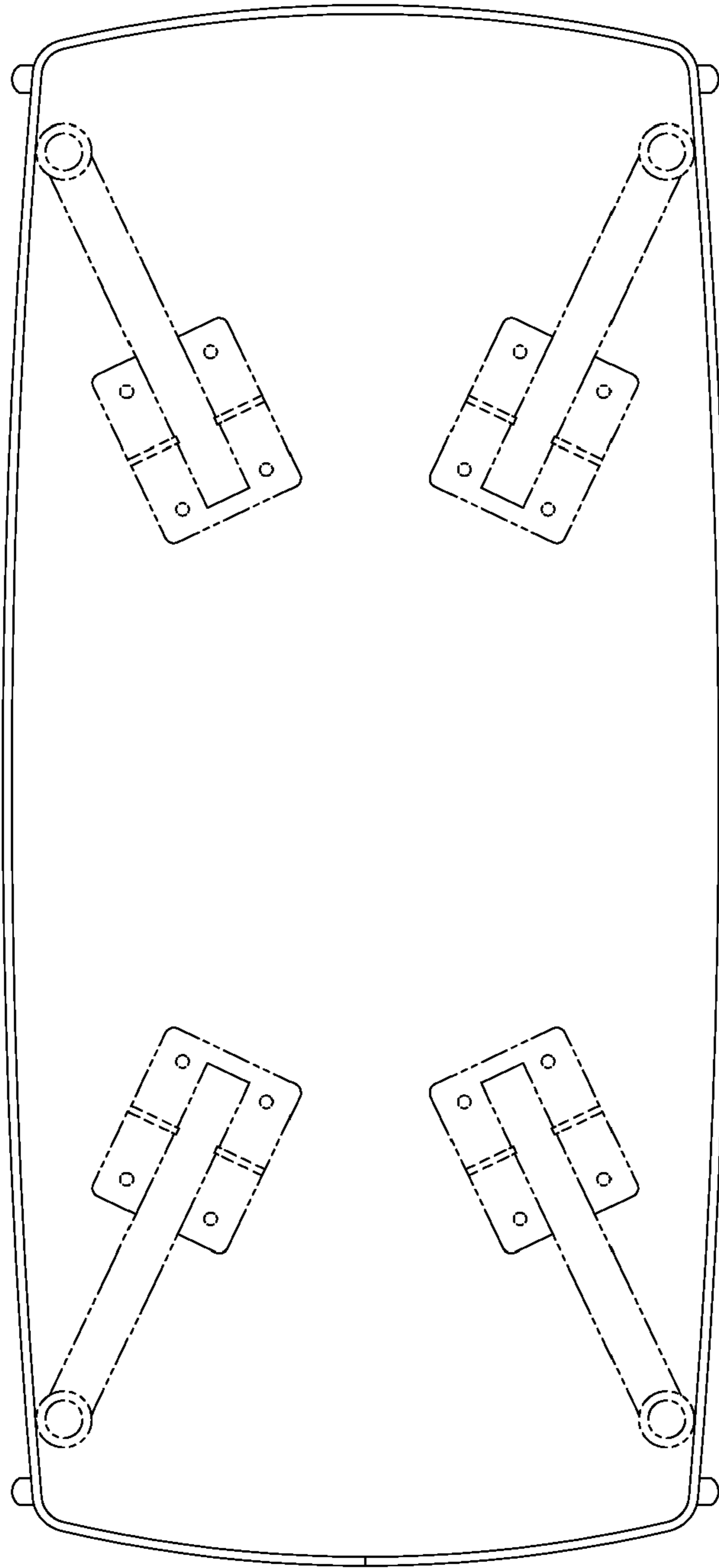


Fig. 3

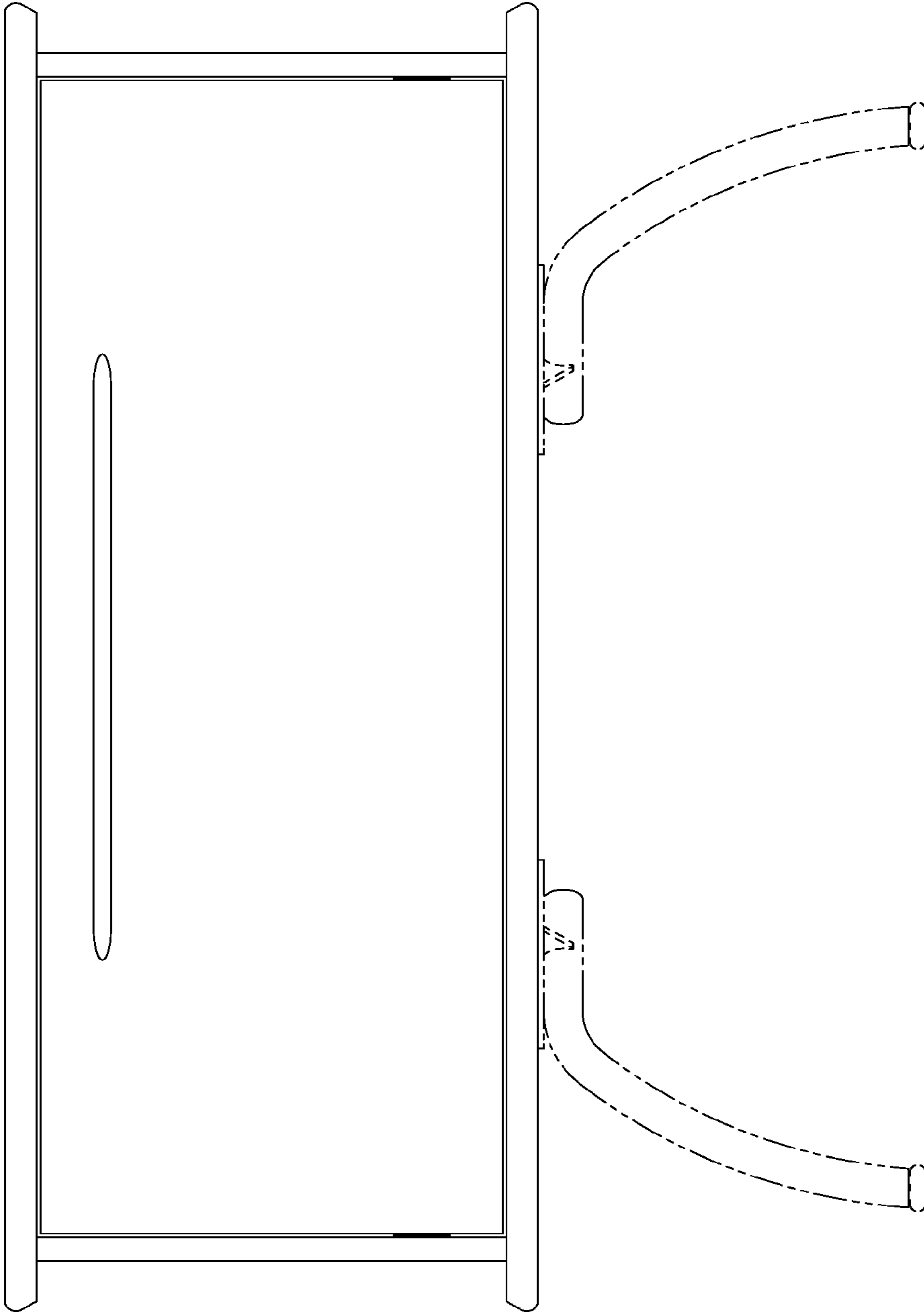


Fig. 4

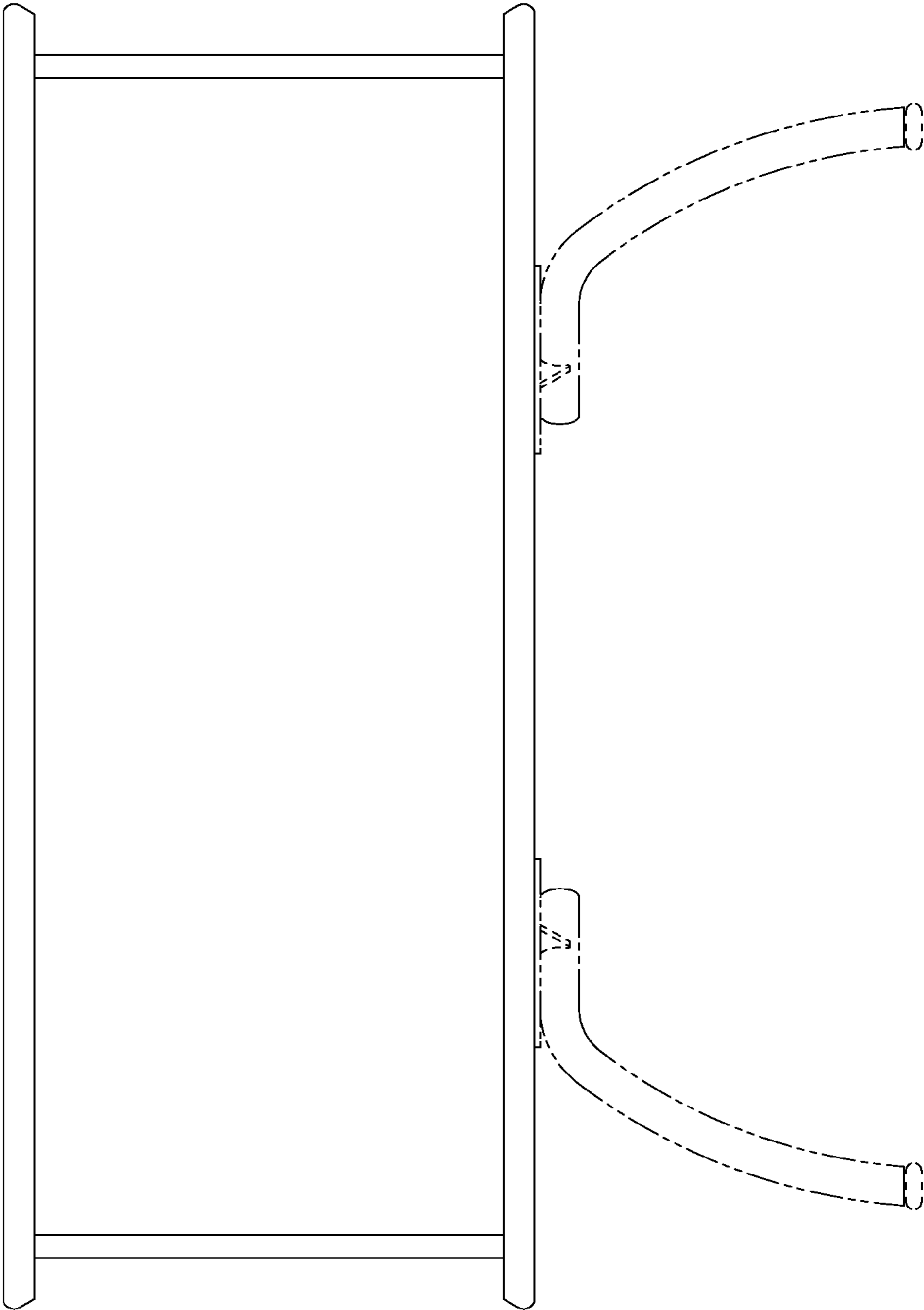


Fig. 5

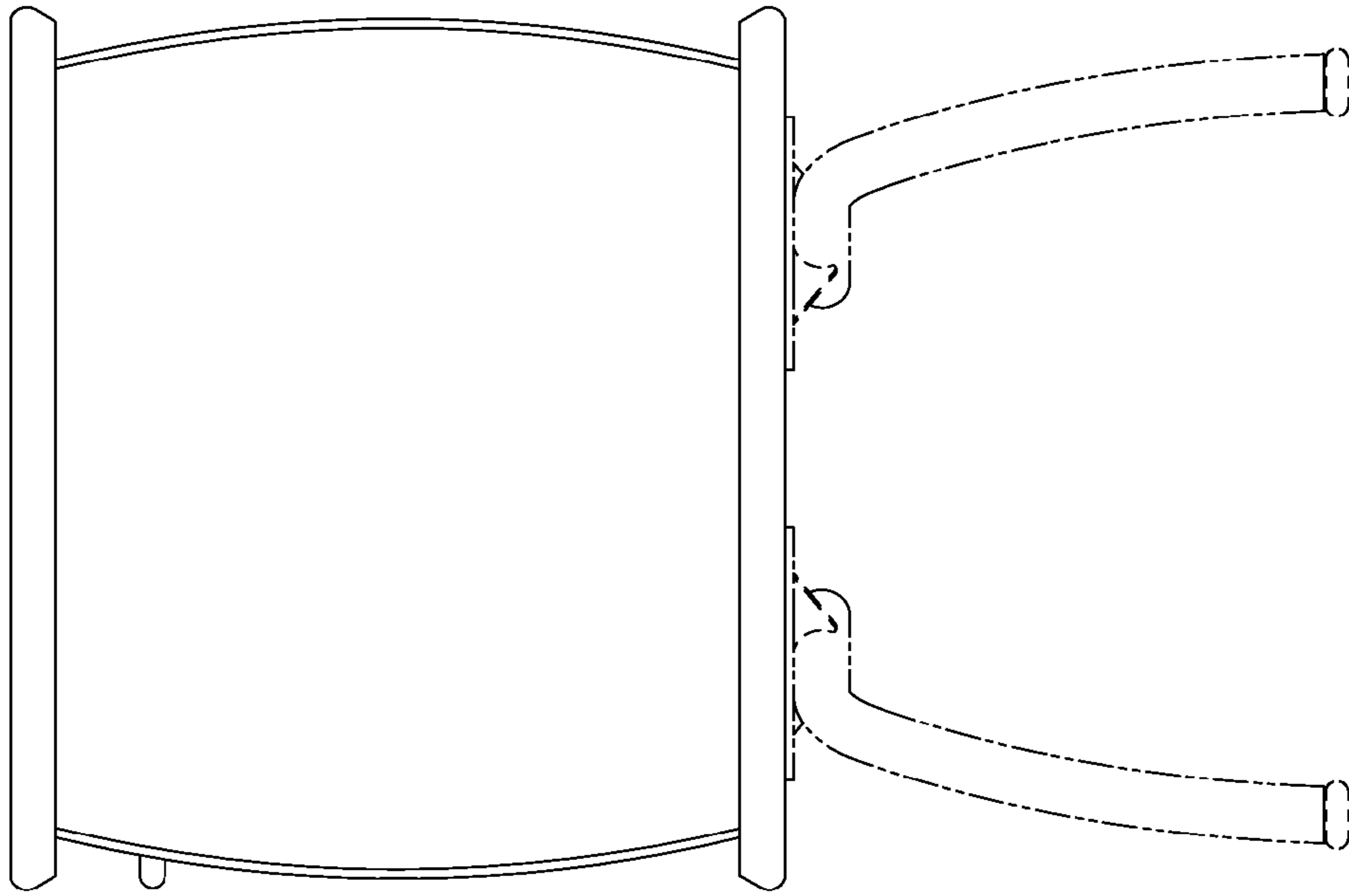


Fig. 6