

US00D566987S

(12) **United States Design Patent**  
**Harrison**

(10) **Patent No.:** **US D566,987 S**  
(45) **Date of Patent:** **\*\* Apr. 22, 2008**

(54) **BOOK STAND**

(76) Inventor: **Christopher L. Harrison**, 2930-C  
Columbiana Ct., Vestavia Hills, AL  
(US) 35216

(\*\*) Term: **14 Years**

(21) Appl. No.: **29/273,418**

(22) Filed: **Mar. 6, 2007**

(51) **LOC (8) Cl.** ..... **06-03**

(52) **U.S. Cl.** ..... **D6/429; D6/484; D6/419;**  
D6/420

(58) **Field of Classification Search** ..... D6/480-489,  
D6/495-499, 429-431, 419, 420, 312; 108/150,  
108/153.1, 156, 157.1, 161, 49; 248/188,  
248/188.1, 188.8, 445, 454, 456, 458  
See application file for complete search history.

(56) **References Cited**

U.S. PATENT DOCUMENTS

2,156,225	A	4/1939	O'Meara	
2,193,907	A	3/1940	Love	
D123,806	S *	12/1940	Griese	D6/420
2,546,283	A	3/1951	Webster	
D203,275	S *	12/1965	Faux et al.	D6/420
3,476,348	A	11/1969	Rustad	
3,790,770	A	2/1974	Stern	
4,154,173	A *	5/1979	Chesnut	108/6
D254,586	S *	4/1980	Koves	D6/496
4,496,126	A	1/1985	Melton et al.	

D293,397	S *	12/1987	Hunt	D6/429
D312,928	S *	12/1990	Scheffers	D6/429
5,129,616	A	7/1992	Carson	
D399,067	S *	10/1998	Harrison	D6/480
D436,470	S *	1/2001	Paul	D6/480

\* cited by examiner

*Primary Examiner*—Janice E. Seeger

(74) *Attorney, Agent, or Firm*—Stephen R. Greiner

(57) **CLAIM**

The ornamental design for a book stand, as shown and described.

**DESCRIPTION**

FIG. 1 is a perspective view of a book stand showing my new design;

FIG. 2 is a front elevational view thereof;

FIG. 3 is a rear elevational view thereof;

FIG. 4 is a top view thereof;

FIG. 5 is a bottom view thereof; and,

FIG. 6 is a left side elevational view with the right side being a mirror image thereof.

The broken lines showing a book atop the book stand and a reader of said book below the book stand in FIG. 1 are for demonstrative purposes only and form no part of the claimed design.

**1 Claim, 4 Drawing Sheets**

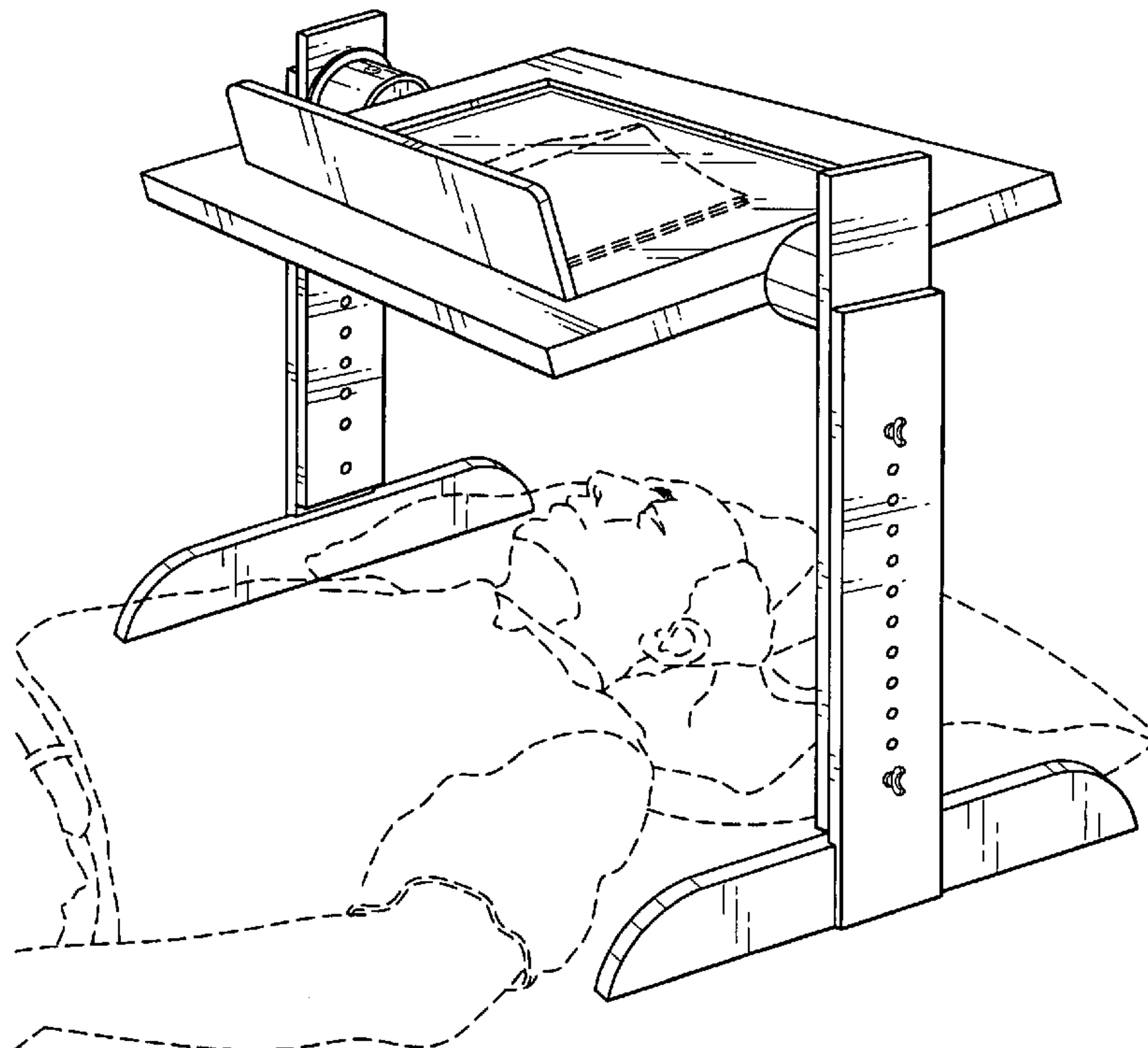


FIG. 1

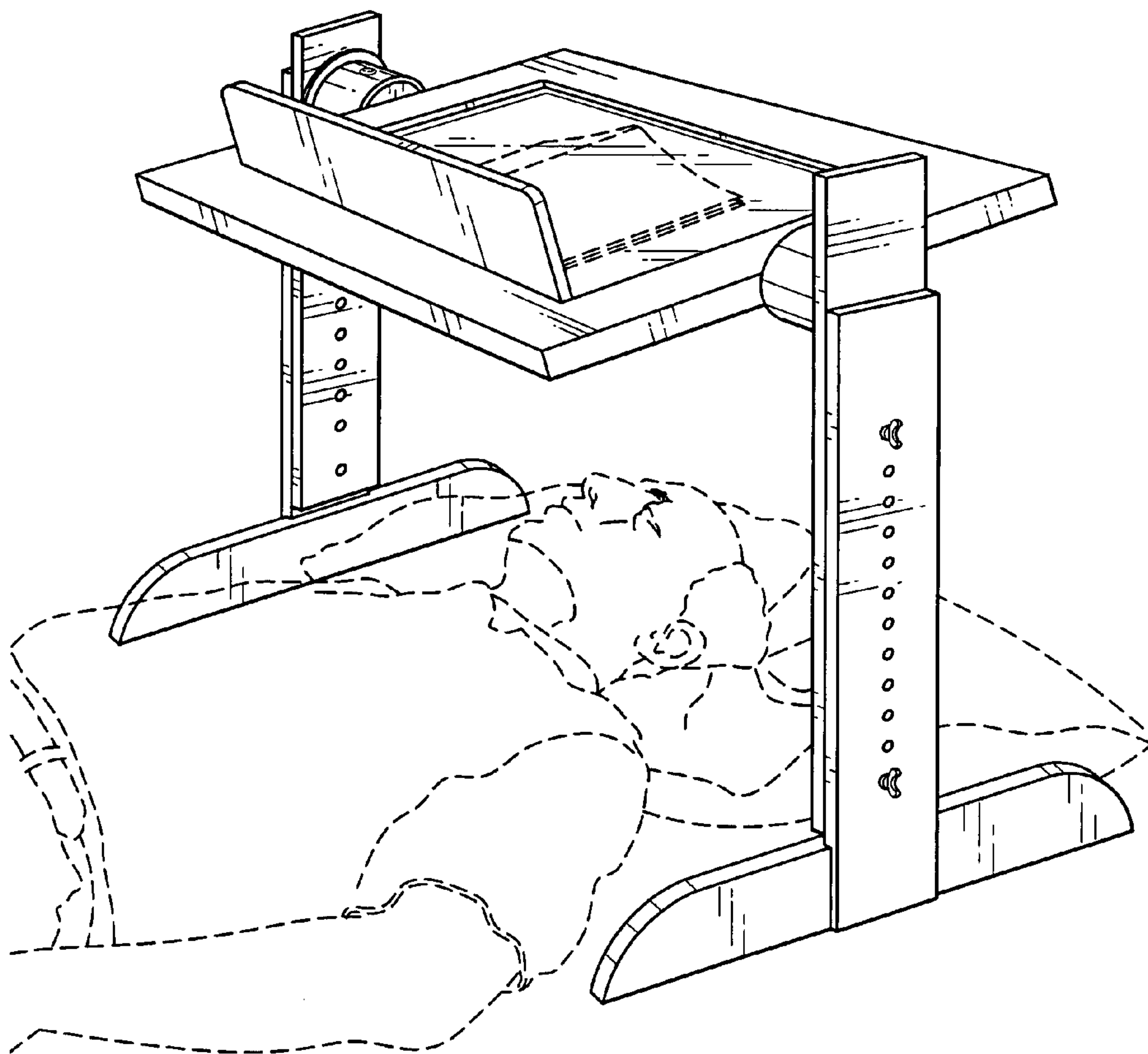


FIG. 2

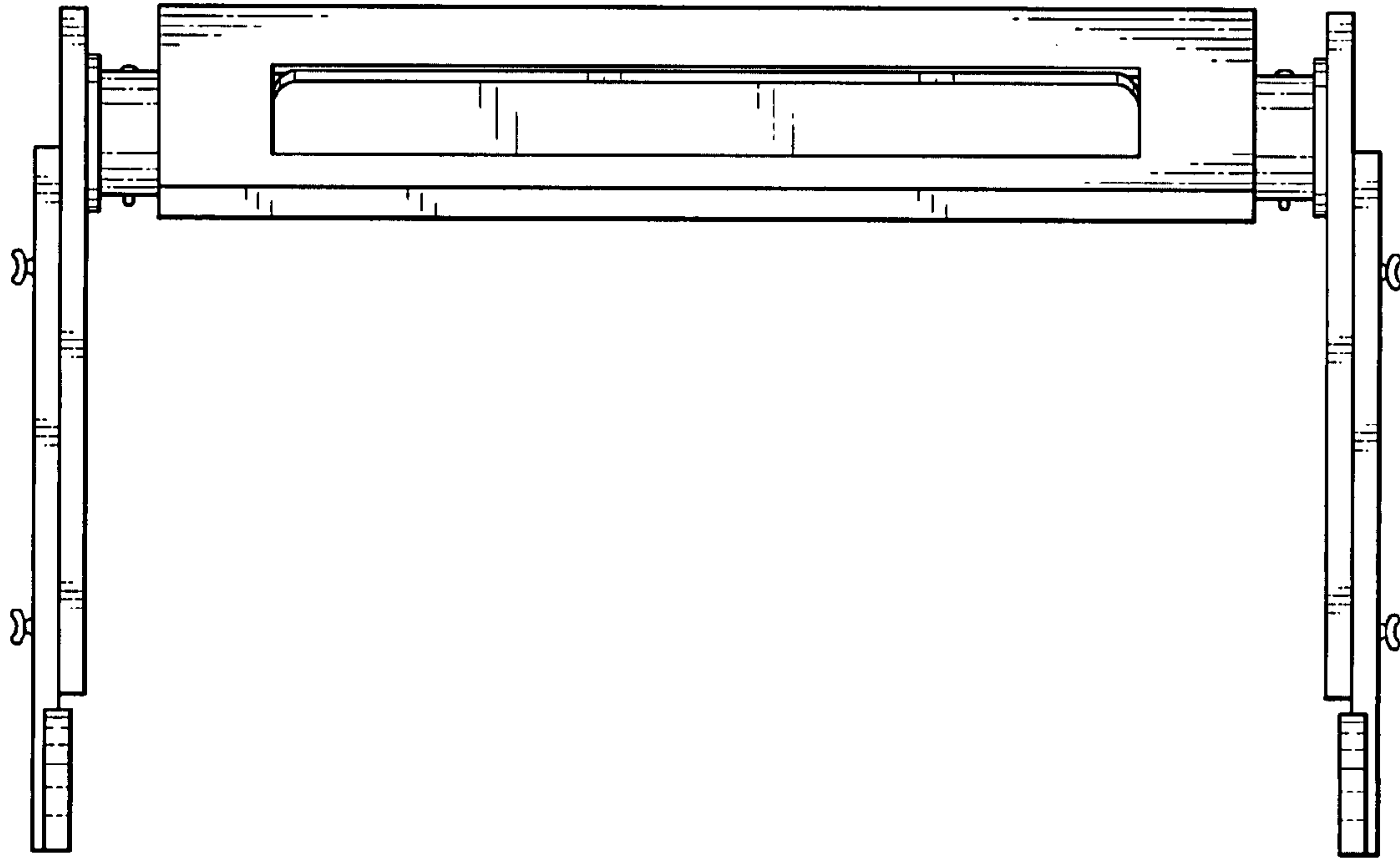


FIG. 3

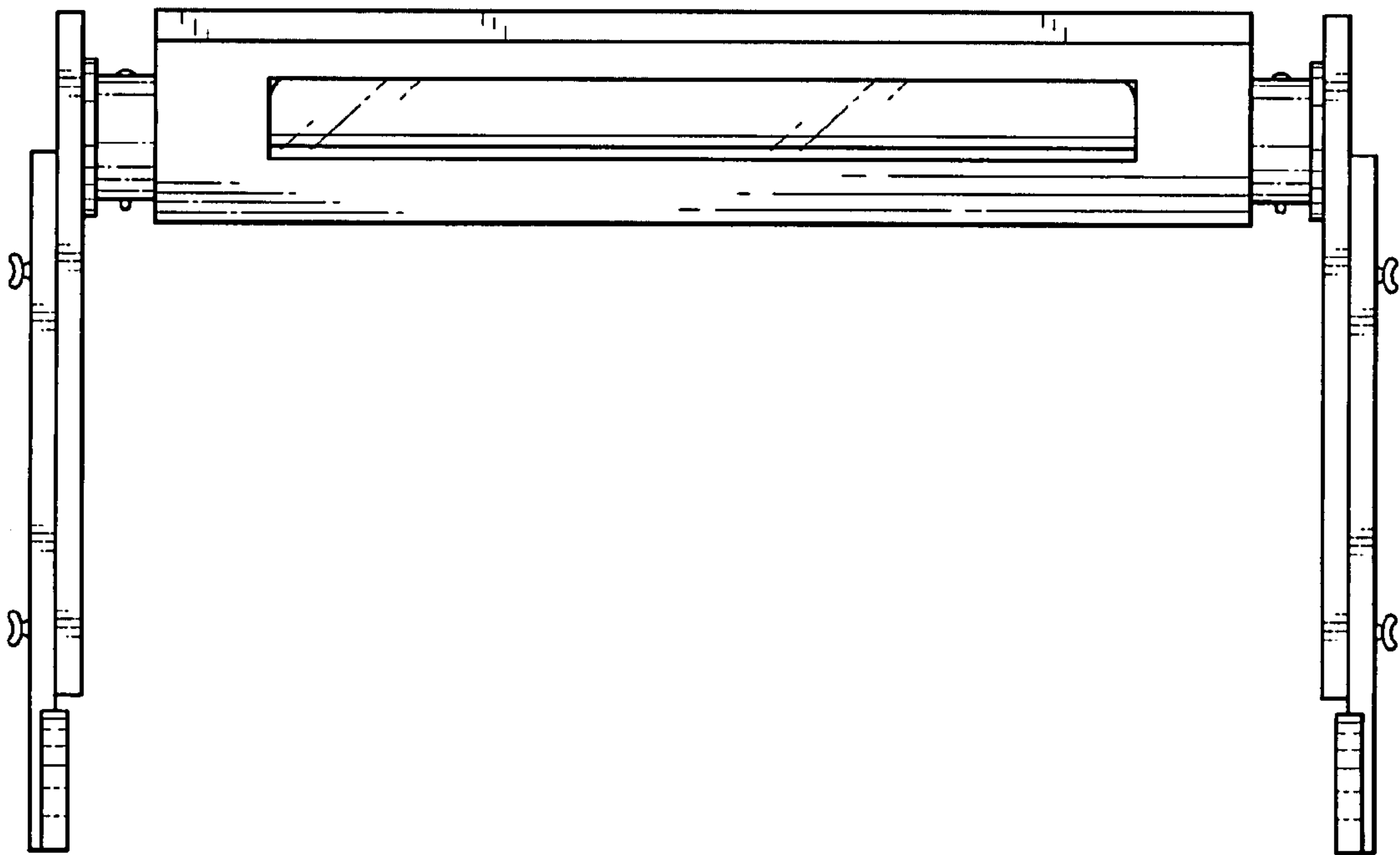


FIG. 4

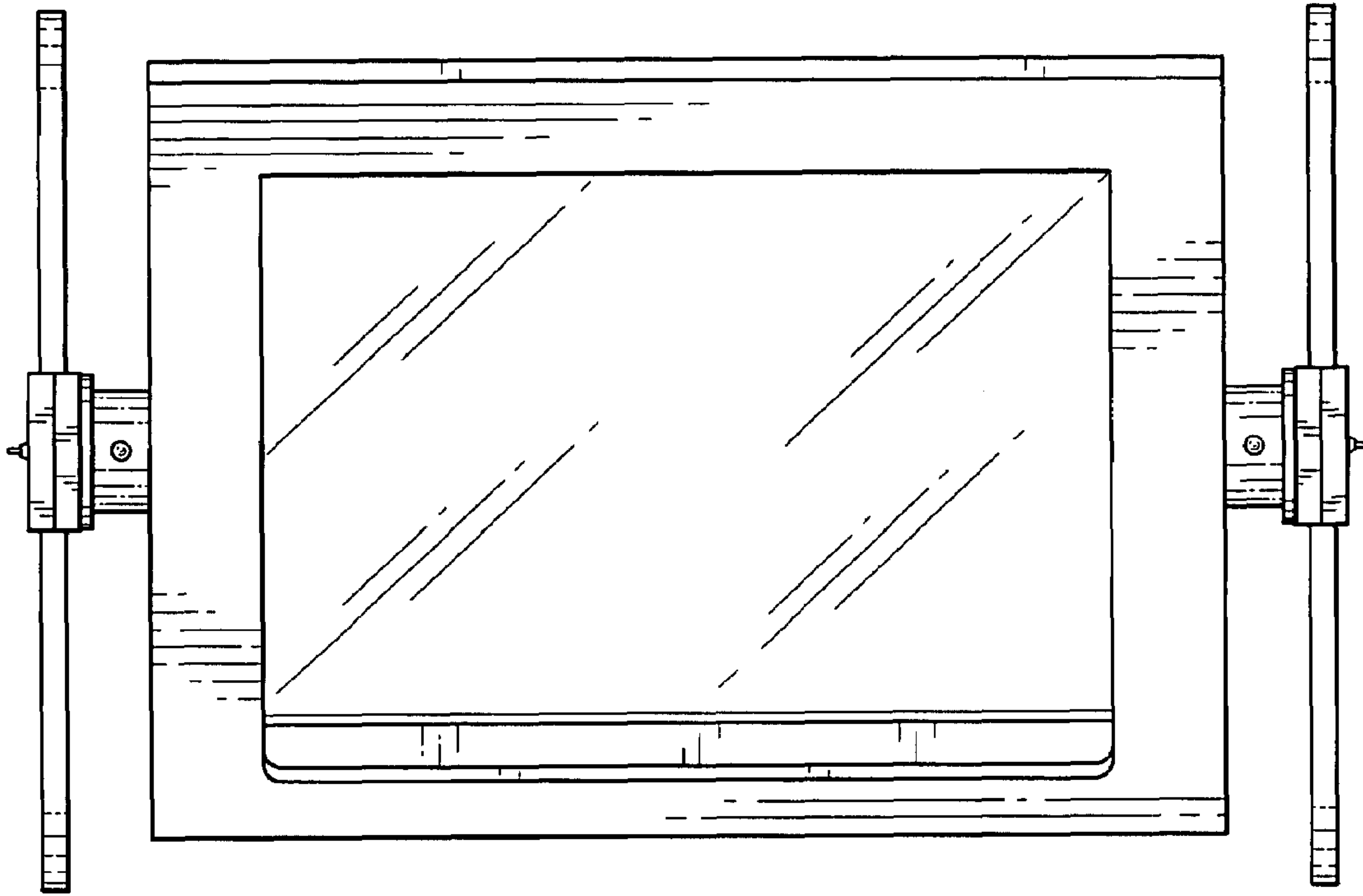


FIG. 5

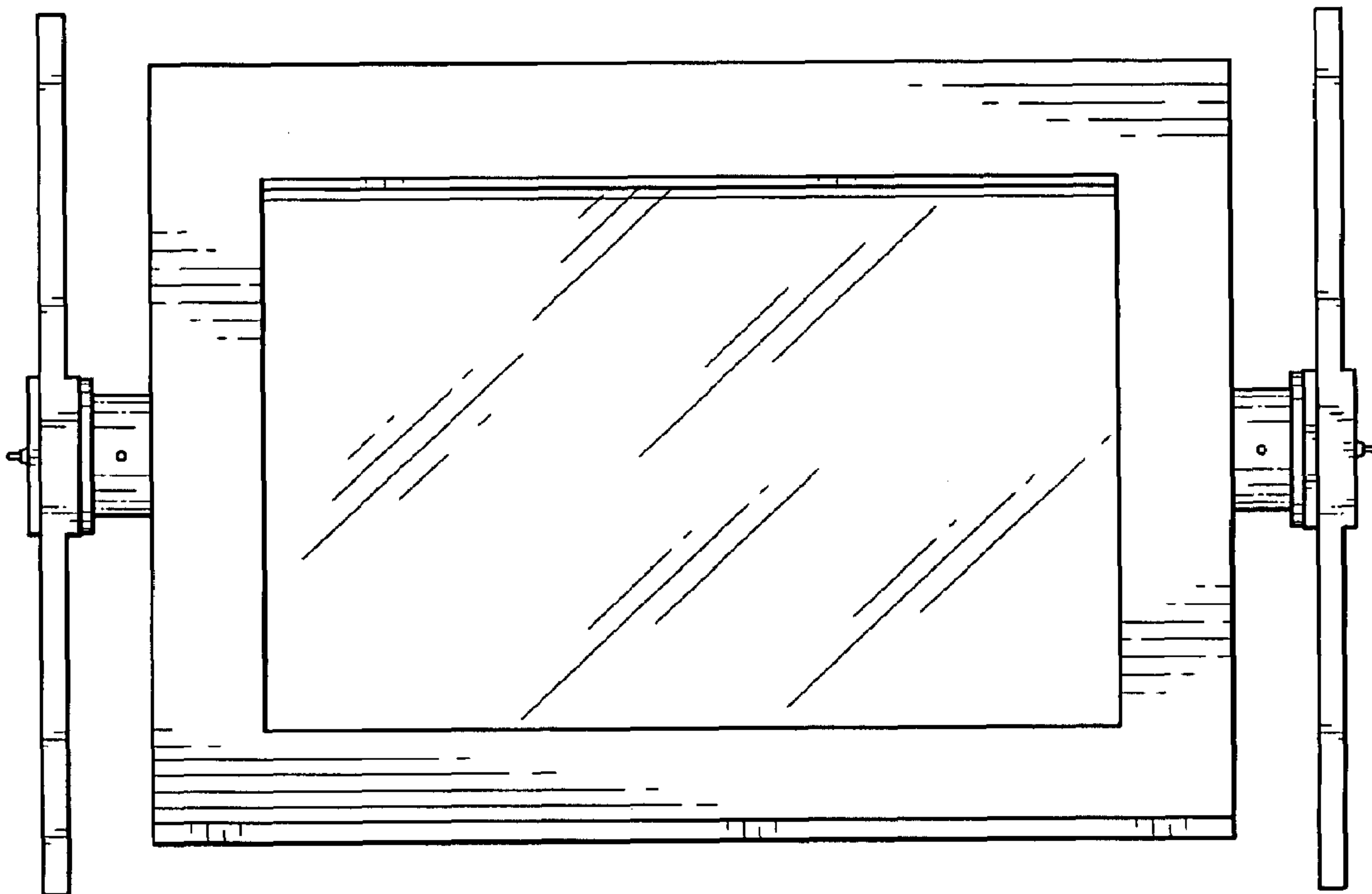


FIG. 6

