



US00D566985S

(12) **United States Design Patent**
Hana

(10) **Patent No.:** **US D566,985 S**
(45) **Date of Patent:** **** Apr. 22, 2008**

(54) **BUCKET STAND**

(76) Inventor: **Richard Todd Hana**, 1955 Stone Creek Rd., Kankakee, IL (US) 60901

(**) Term: **14 Years**

(21) Appl. No.: **29/273,424**

(22) Filed: **Mar. 5, 2007**

(51) **LOC (8) Cl.** **11-64**

(52) **U.S. Cl.** **D6/403**

(58) **Field of Classification Search** D6/403-405;
D11/143-149; D99/19; 47/32.7, 33, 41.01,
47/41.1, 41.11, 44-47, 65, 65.5, 66.2, 66.7,
47/67-69, 83, 84; 248/27.8, 127, 146, 163.1,
248/175, 188.7, 431

See application file for complete search history.

(56) **References Cited**

U.S. PATENT DOCUMENTS

D139,877 S *	1/1945	Eubank	D11/143
D147,902 S *	11/1947	Gray	D11/143
D198,802 S *	8/1964	Cucullo	D6/403
3,366,079 A *	1/1968	Koransky et al.	248/431
D221,970 S *	9/1971	Kelly	D6/403
D393,549 S *	4/1998	Marinos	D6/403

5,876,091 A *	3/1999	Chernomashentsev	248/431
D435,177 S *	12/2000	Buell et al.	D6/403
D504,789 S *	5/2005	Hayes	D6/403
2007/0062109 A1 *	3/2007	Jolley	47/47

* cited by examiner

Primary Examiner—Caron D. Veynar

Assistant Examiner—Garth Rademaker

(74) *Attorney, Agent, or Firm*—Wood, Phillips, Katz, Clark & Mortimer

(57) **CLAIM**

The ornamental design for a bucket stand, as shown.

DESCRIPTION

FIG. 1 is a perspective view of a bucket stand illustrating the present invention;

FIG. 2 is a front elevational view thereof;

FIG. 3 is a rear elevational view thereof;

FIG. 4 is a right side elevational view thereof;

FIG. 5 is a left side elevational view thereof;

FIG. 6 is a top plan view thereof; and,

FIG. 7 is a bottom plan view thereof.

1 Claim, 4 Drawing Sheets

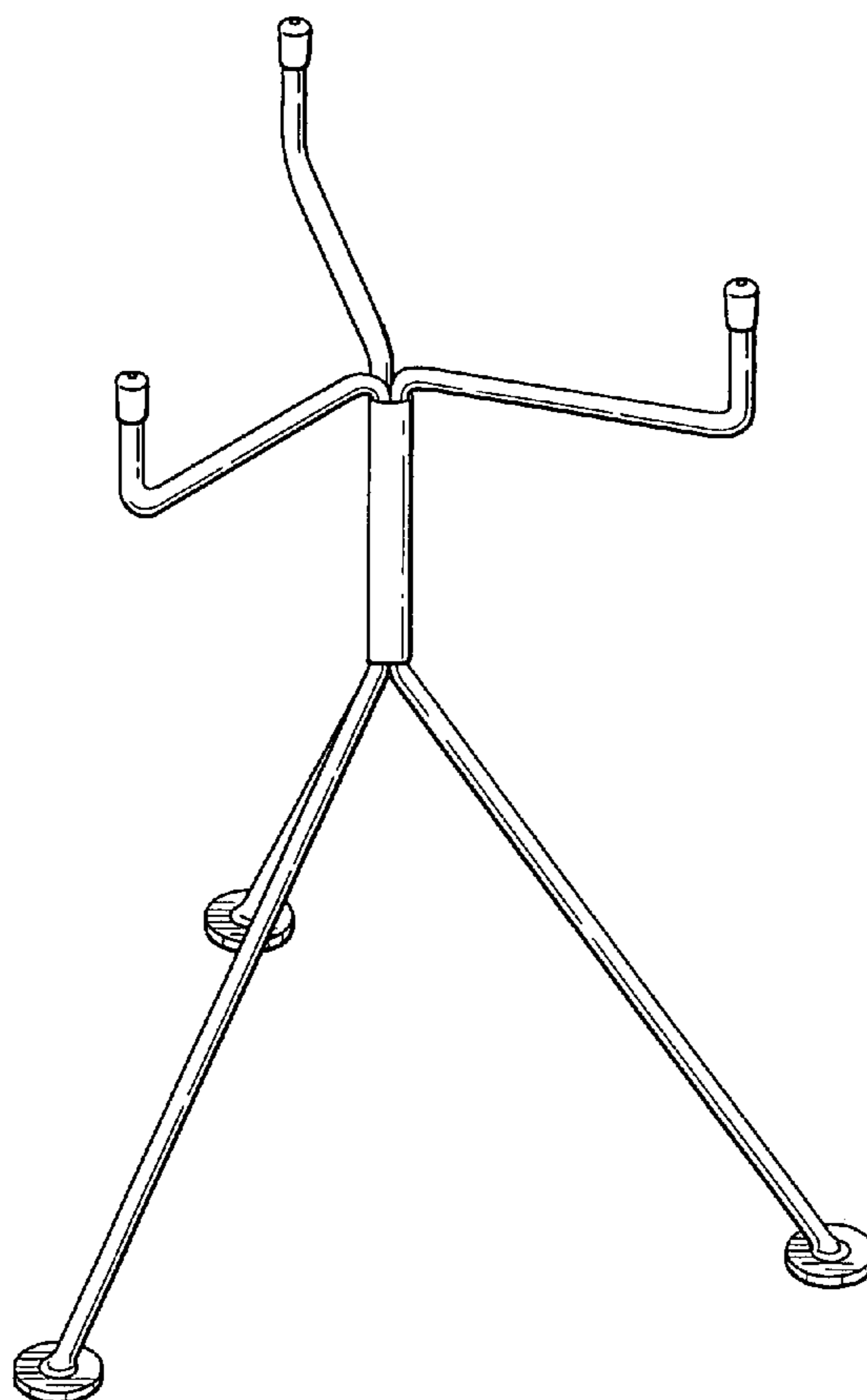


Fig. 1

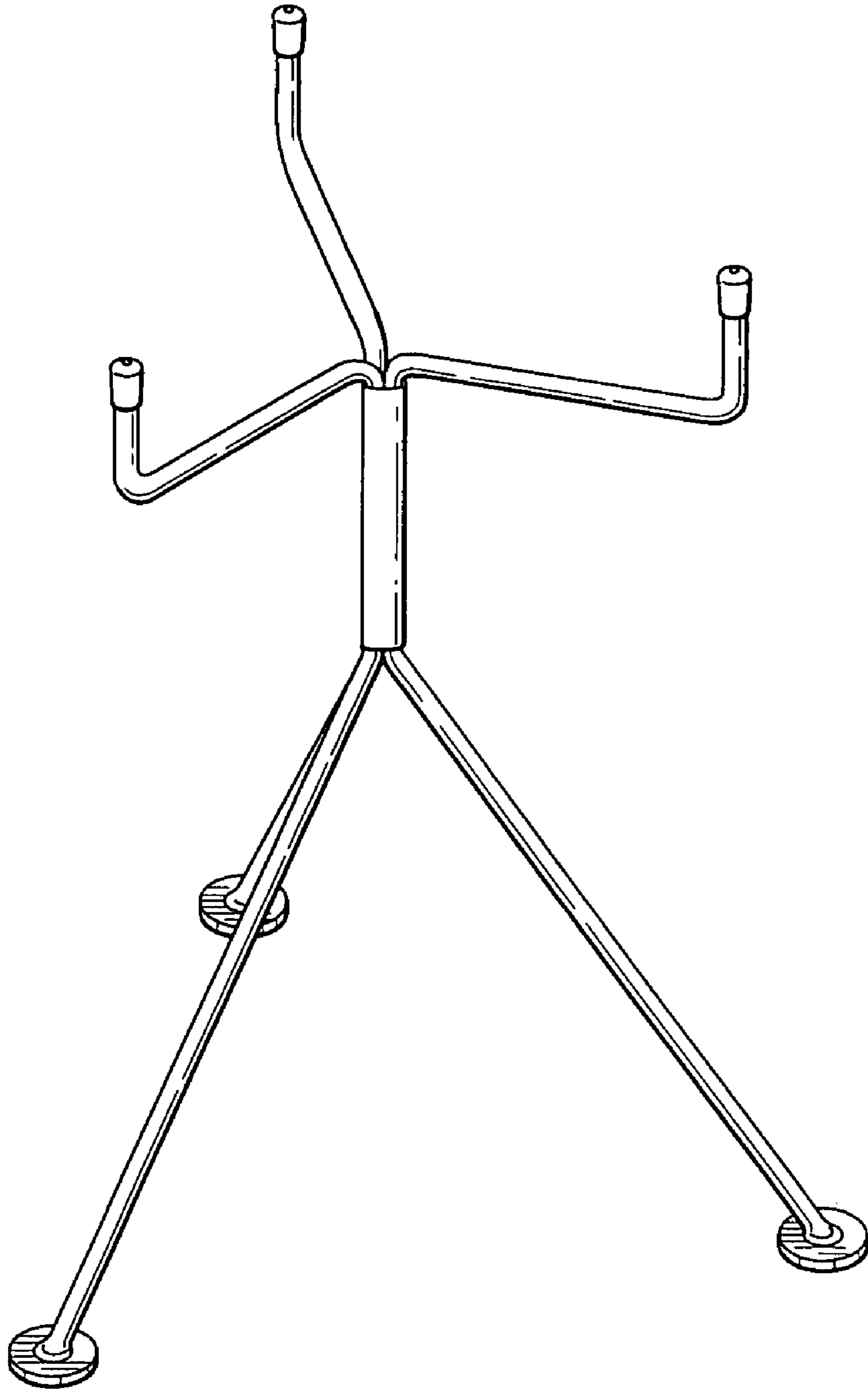


Fig. 2

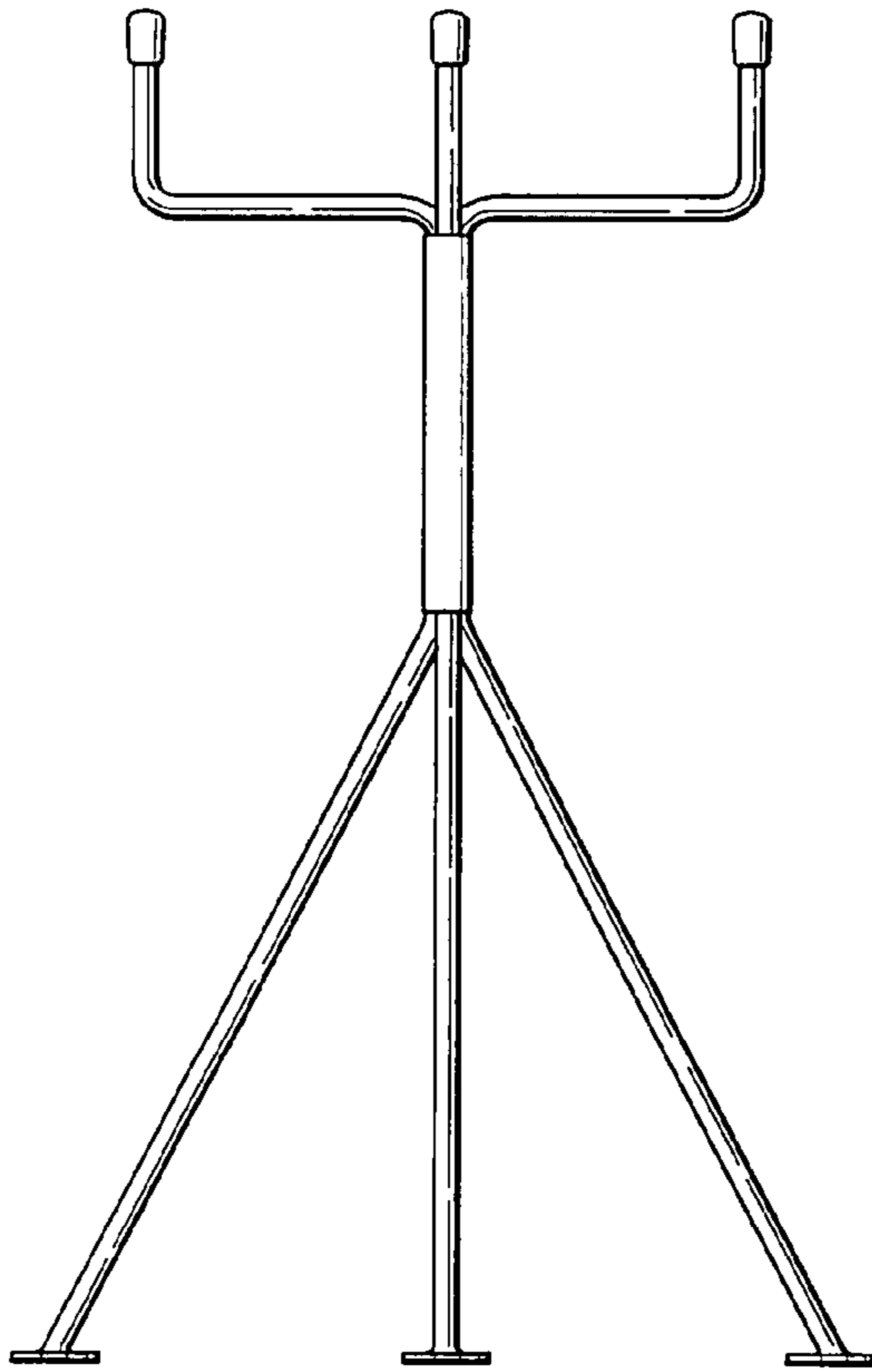


Fig. 3

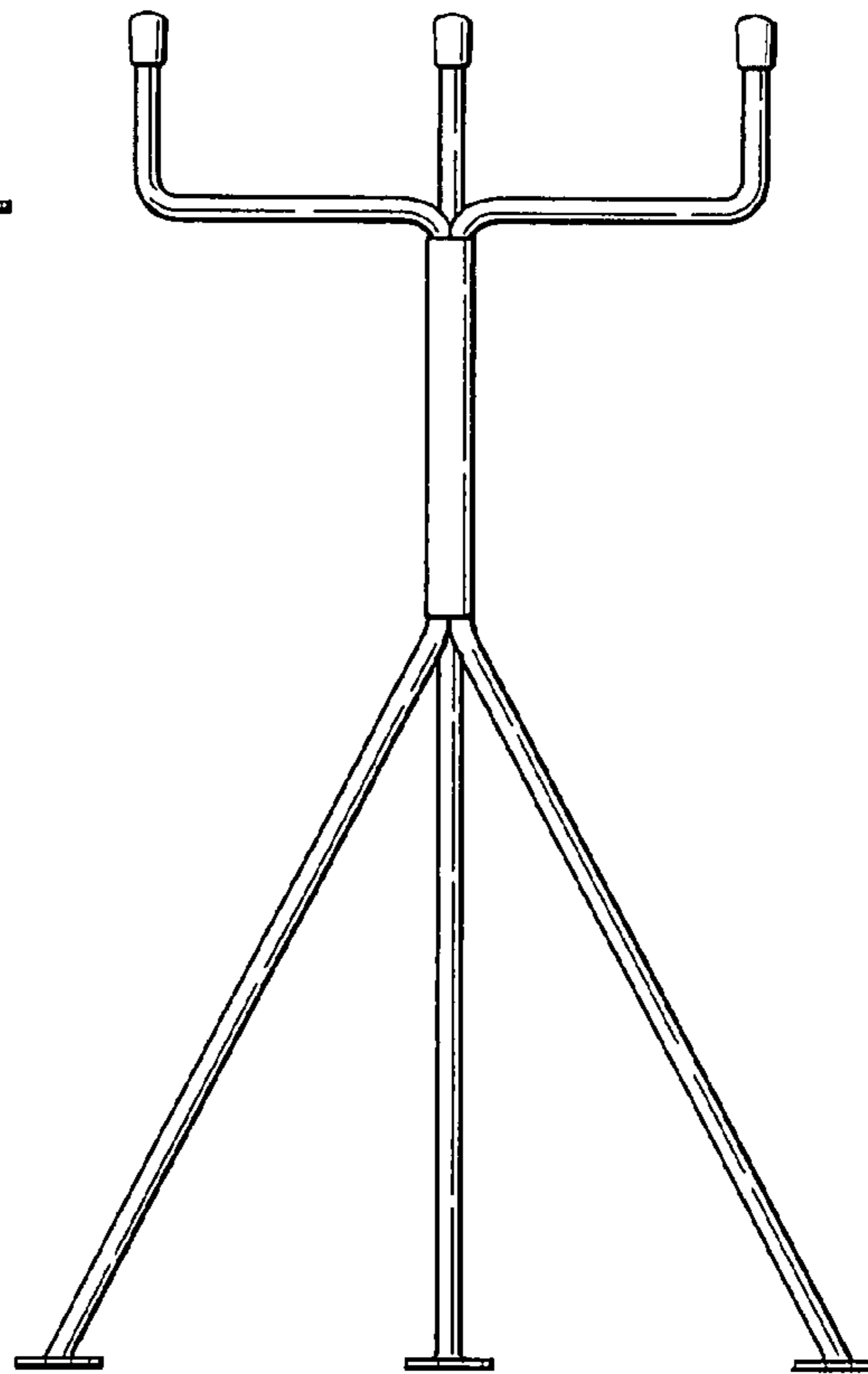


Fig. 4

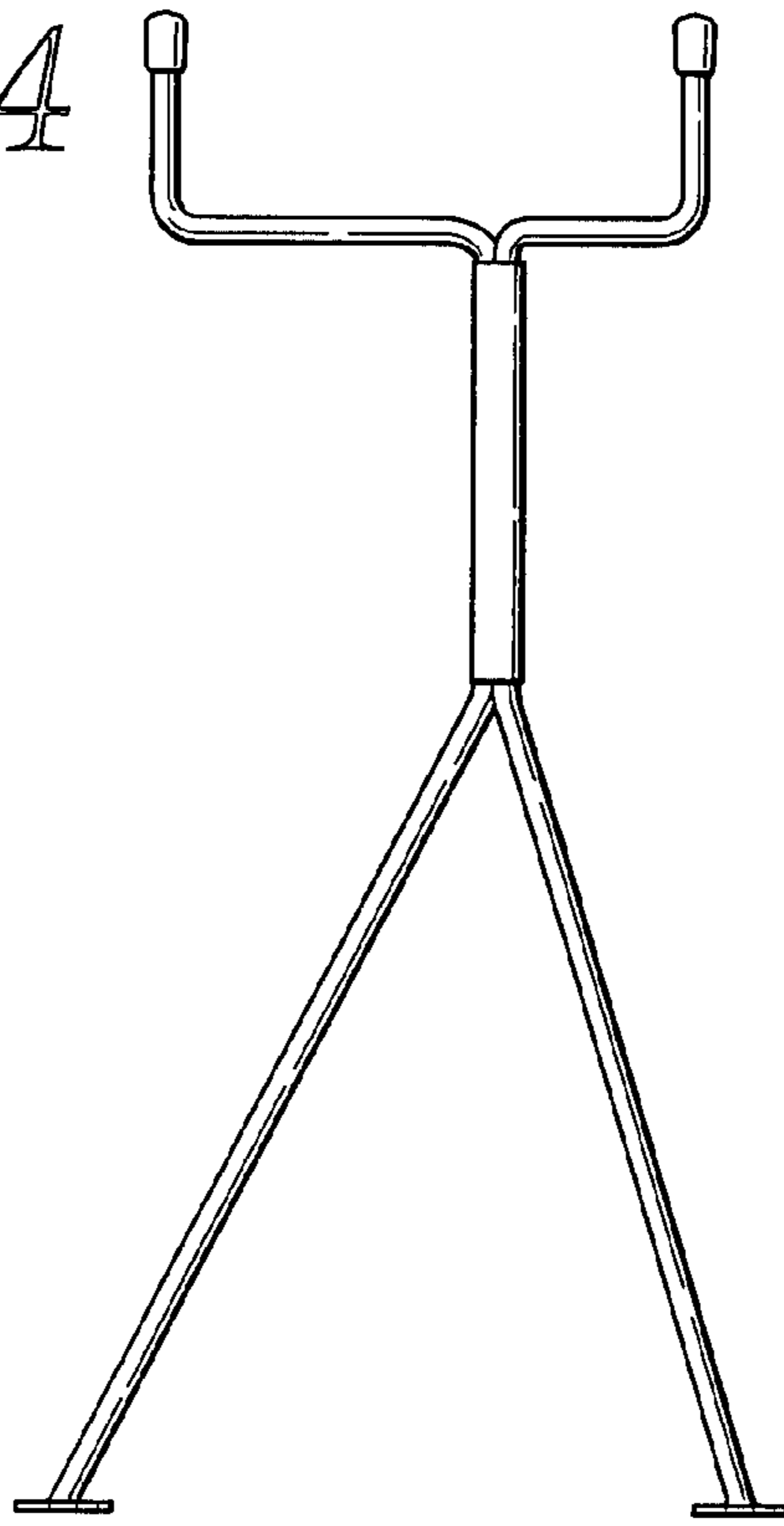


Fig. 5

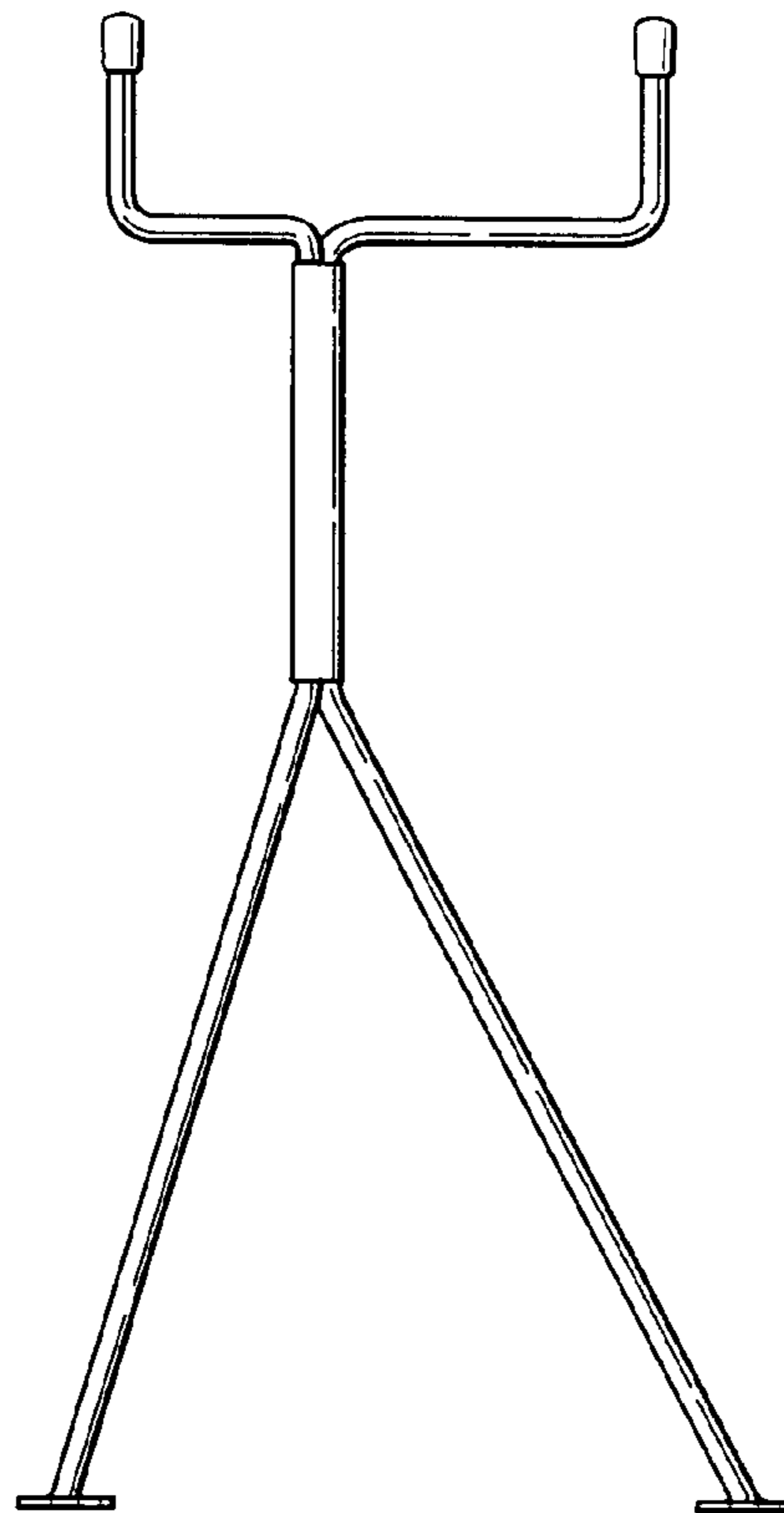


Fig. 6

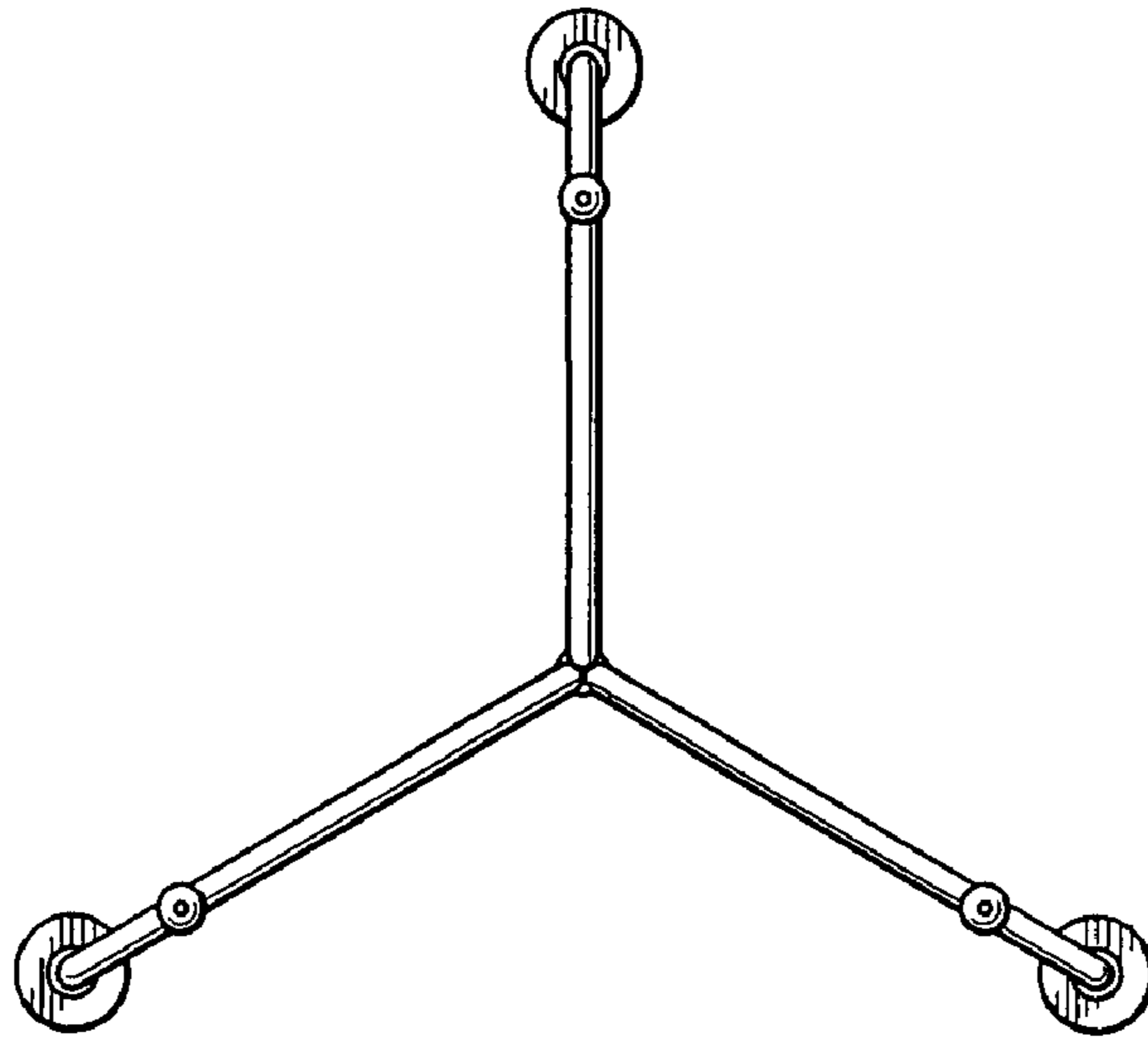


Fig. 7

