



US00D566978S

(12) **United States Design Patent**
Gonzalez

(10) **Patent No.:** **US D566,978 S**

(45) **Date of Patent:** **** Apr. 22, 2008**

(54) **STEP STOOL**

D244,494 S * 5/1977 Dottinger D6/350
D262,419 S * 12/1981 Cramer D6/350
D524,069 S * 7/2006 Lim D6/350

(75) Inventor: **Mario Gonzalez**, Lawrence, KS (US)

(73) Assignee: **Cramer Inc.**, North Kansas City, MO (US)

* cited by examiner

Primary Examiner—Sandra Snapp

(**) Term: **14 Years**

(74) *Attorney, Agent, or Firm*—Schwegman, Lundberg & Woessner P.A.

(21) Appl. No.: **29/246,292**

(57) **CLAIM**

(22) Filed: **Mar. 29, 2006**

The ornamental design for the step stool, as shown and described.

(51) **LOC (8) Cl.** **06-01**

(52) **U.S. Cl.** **D6/350**

(58) **Field of Classification Search** D6/349–355,
D6/363–364, 484, 495, 500–502; 297/195.1,
297/195.11, 16.1, 118, 16.2, 175, 187, 462,
297/215.16, 219.11, 423.1, 423.39, 423.41,
297/423.43, 461; 108/53.3, 115, 150
See application file for complete search history.

DESCRIPTION

FIG. 1 is a perspective view of the step stool, incorporating the new design;

FIG. 2 is a front elevational view, the rear elevational view being a mirror image;

FIG. 3 is a left side elevational view thereof; and

FIG. 4 is a right side elevational view thereof,

FIG. 5 is a top view of the step stool; and

FIG. 6 is a bottom view of the step stool; and,

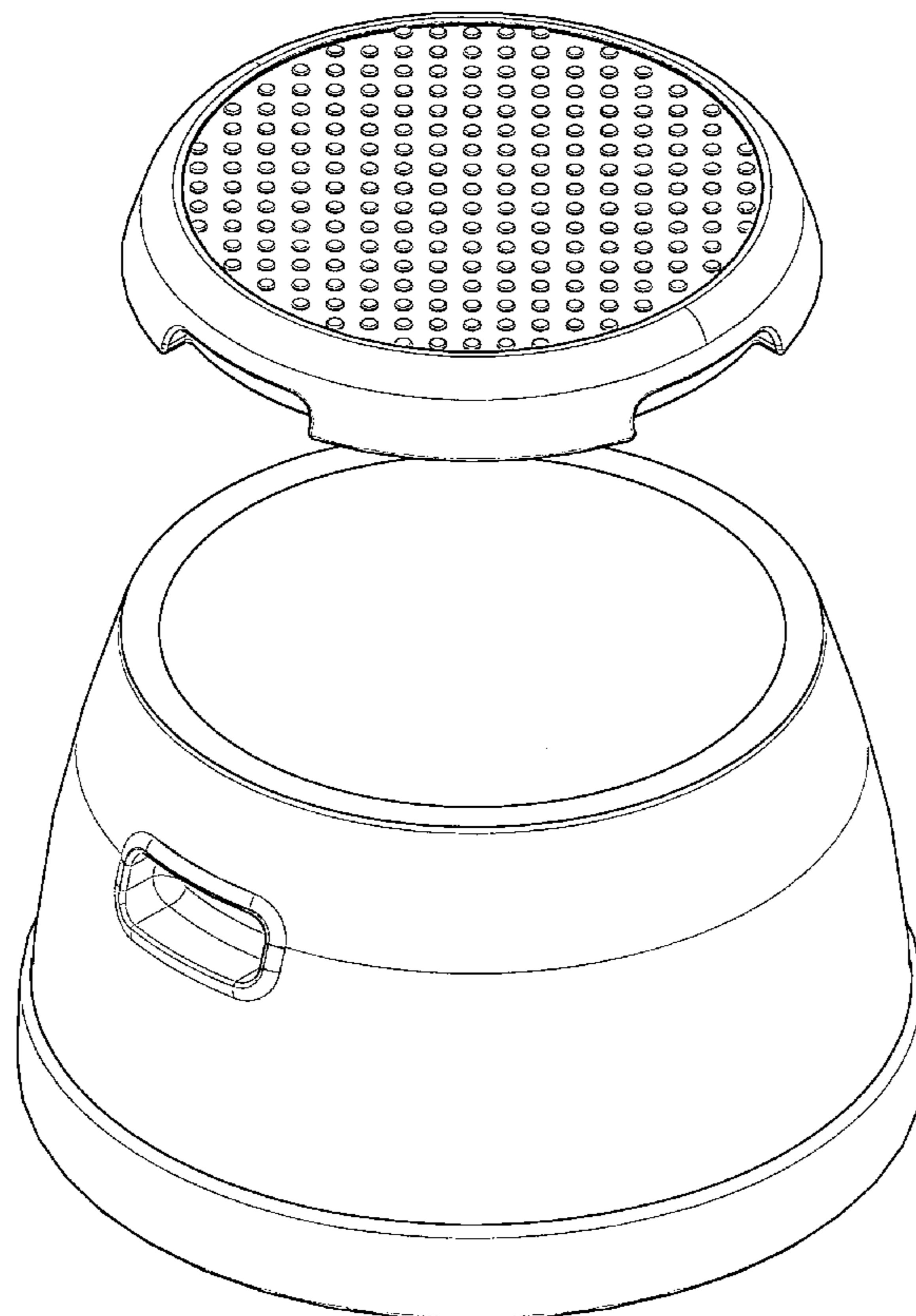
FIG. 7 is an exploded perspective view of the step stool.

(56) **References Cited**

U.S. PATENT DOCUMENTS

D184,390 S * 2/1959 Cramer D6/350
D197,842 S * 3/1964 Keller D6/350
D216,508 S * 1/1970 Dottinger D6/350
3,559,761 A * 2/1971 Wehner 182/15
3,599,750 A * 8/1971 Serwer 182/15

1 Claim, 7 Drawing Sheets



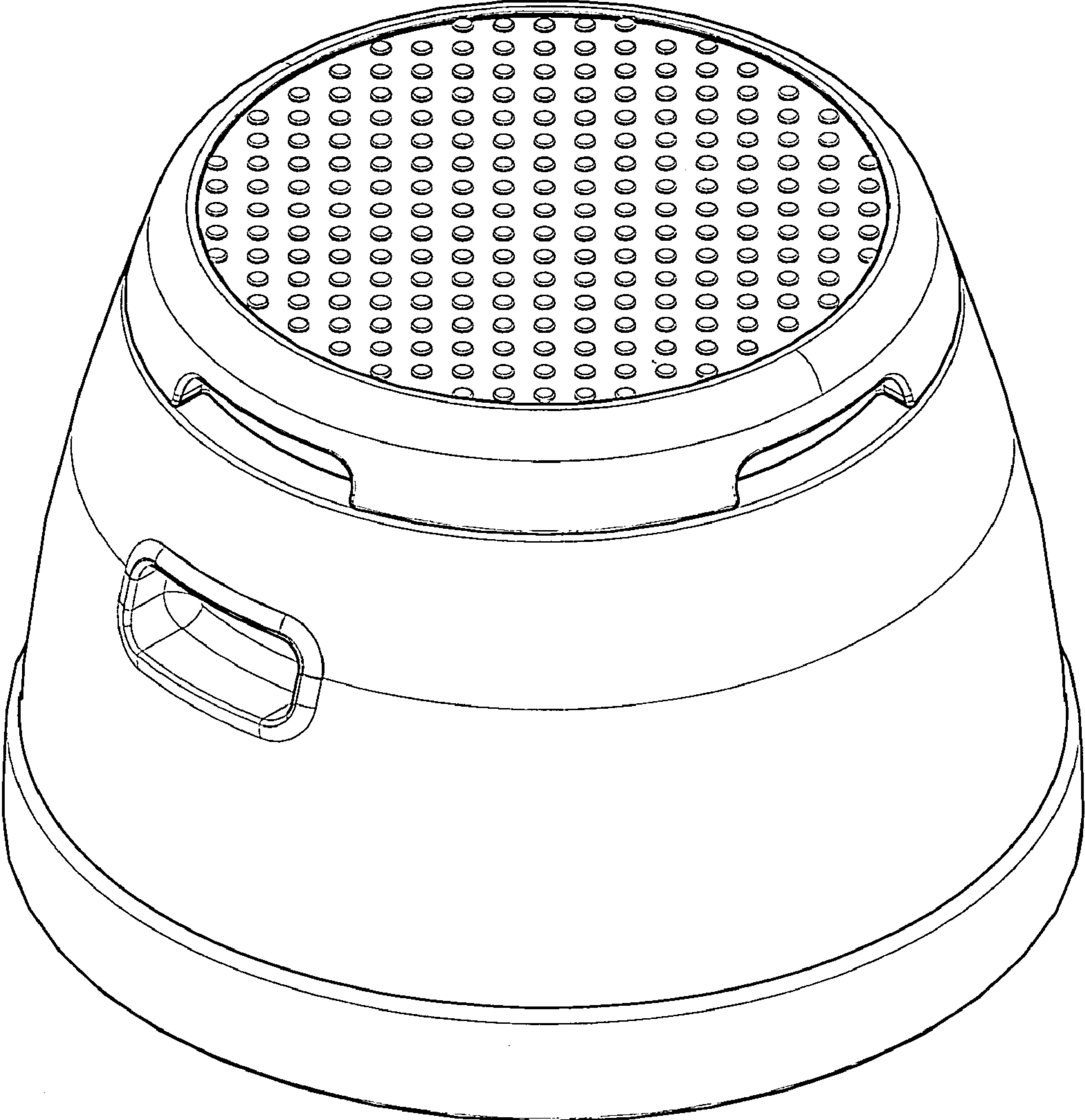


Fig. 1

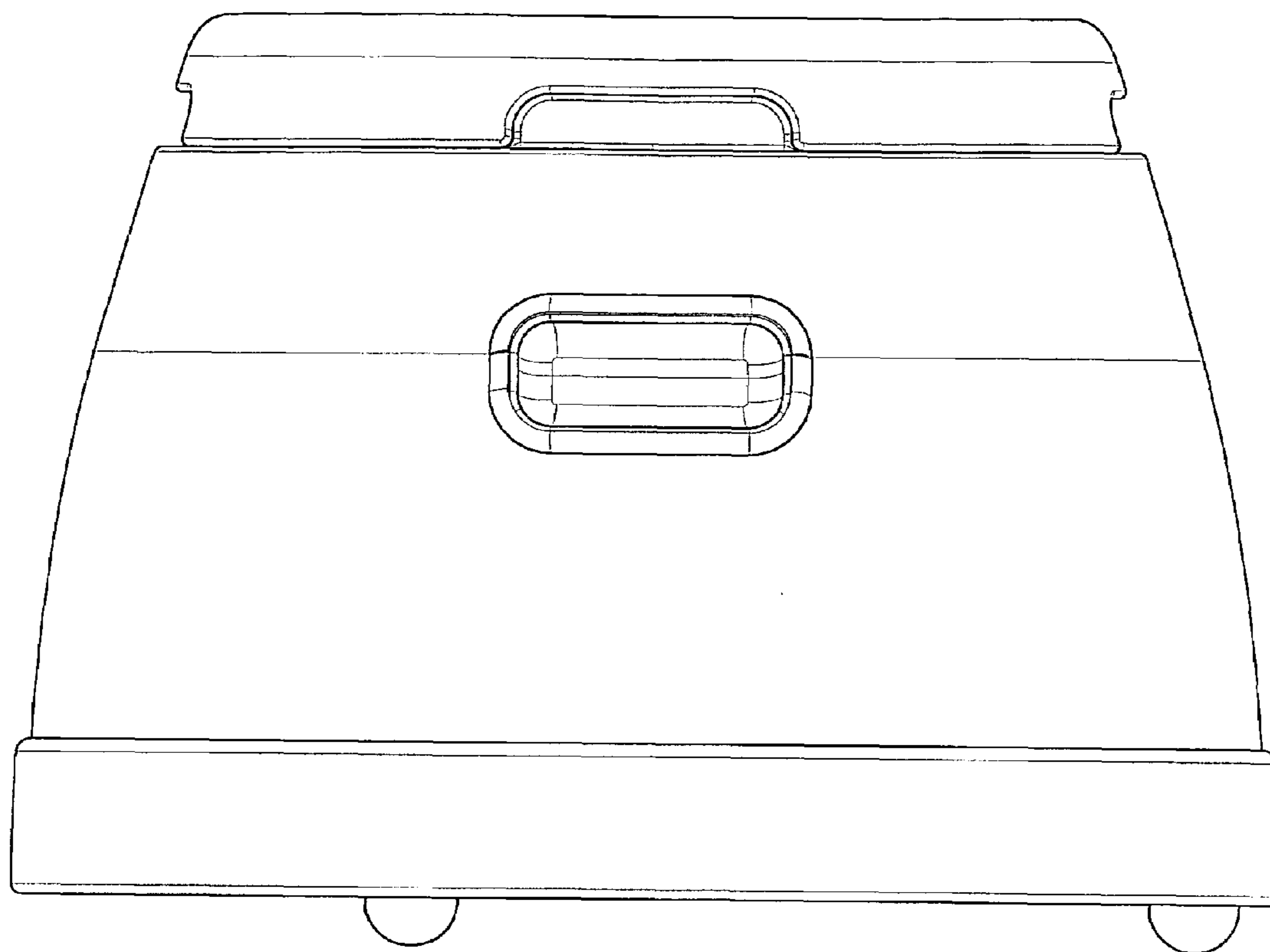


Fig. 2

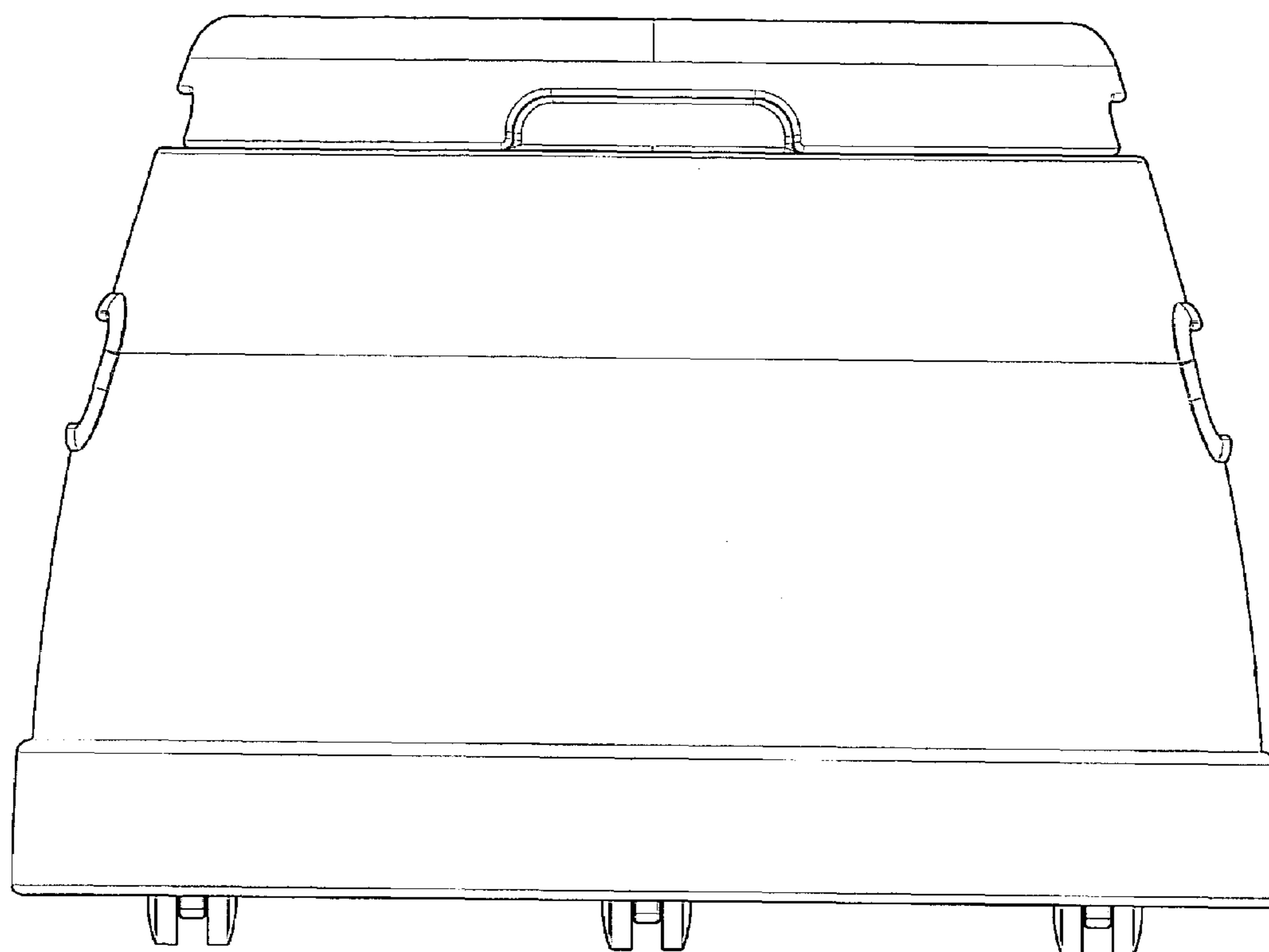


Fig. 3

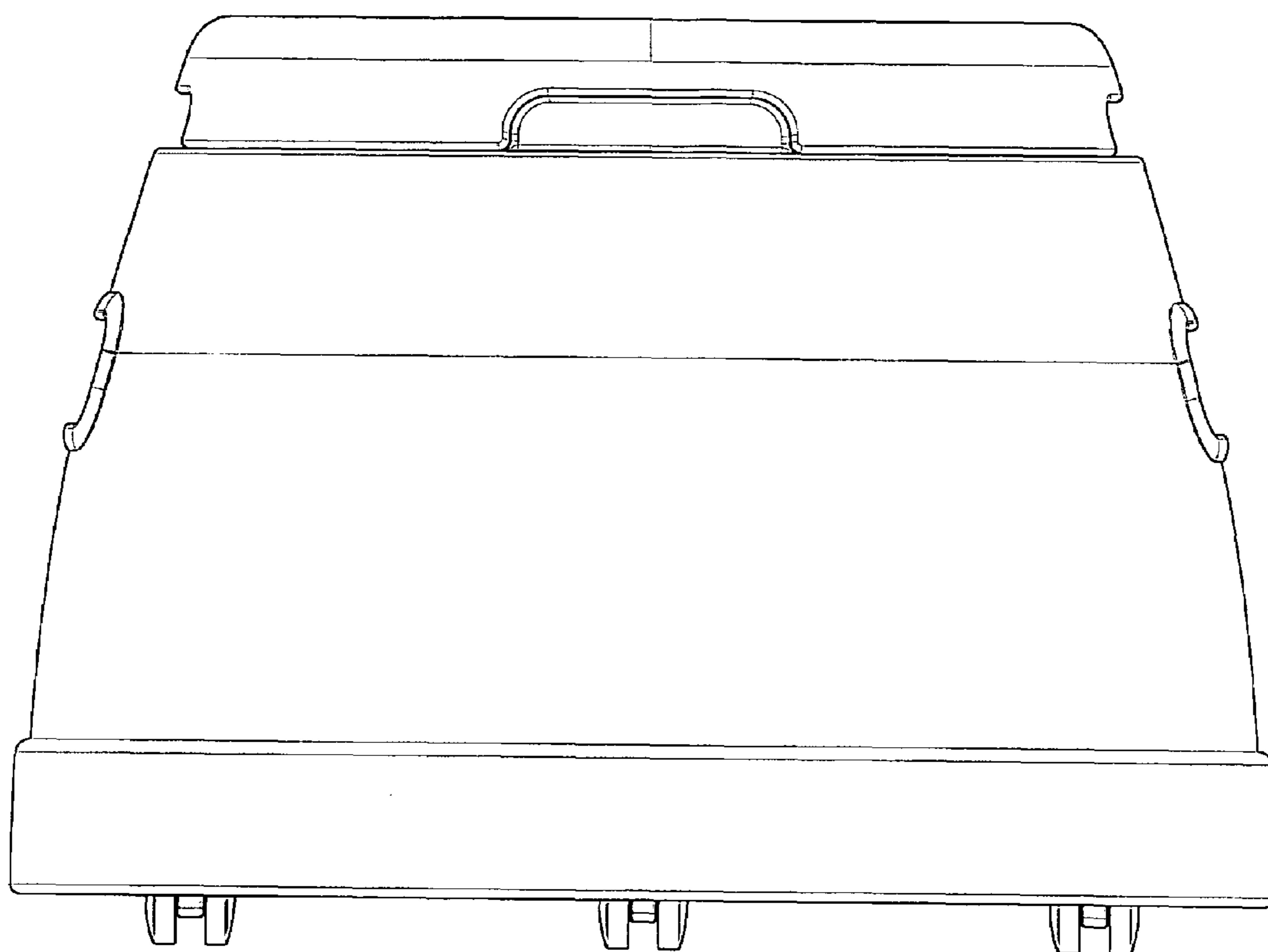


Fig. 4

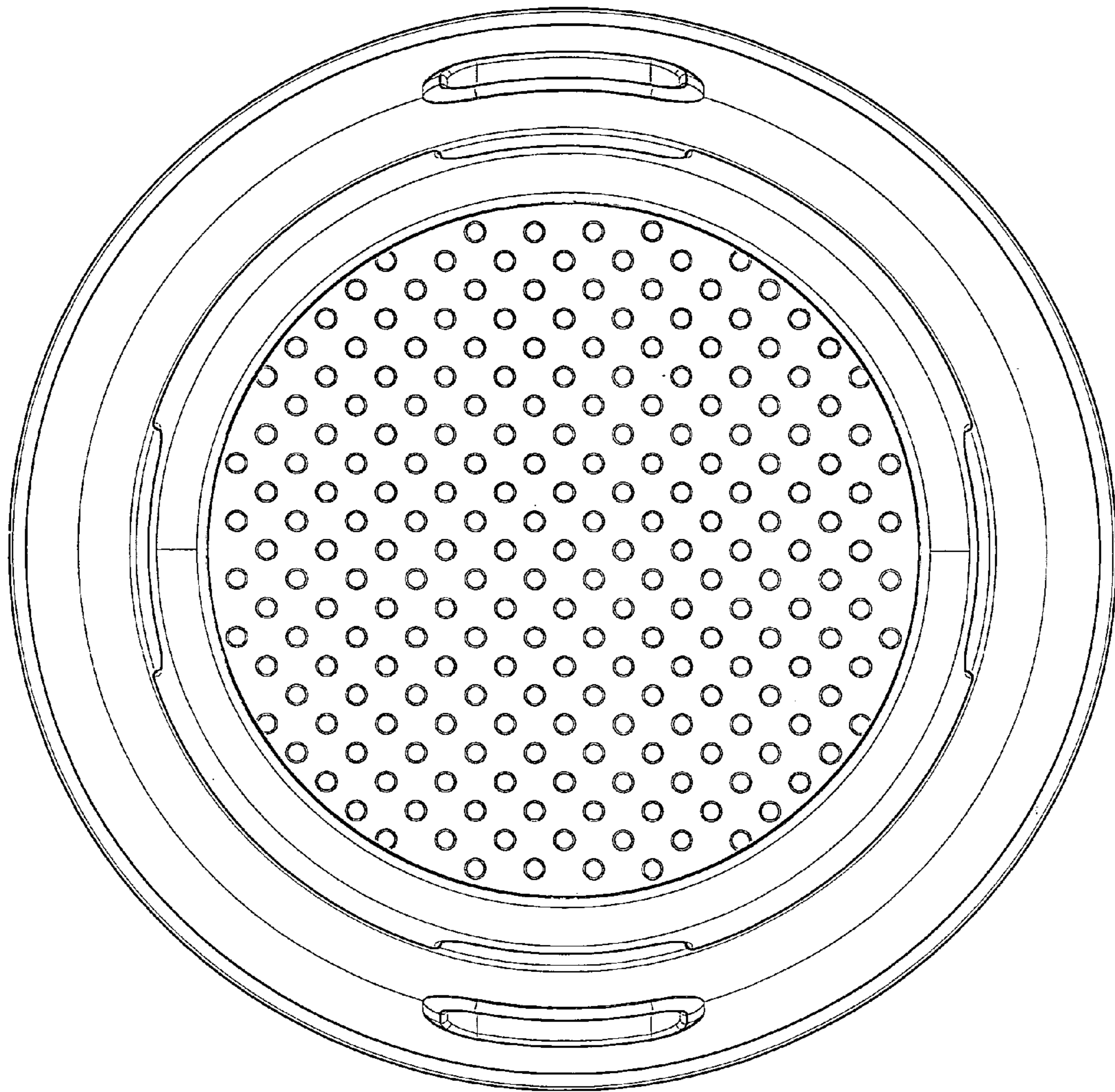


Fig. 5

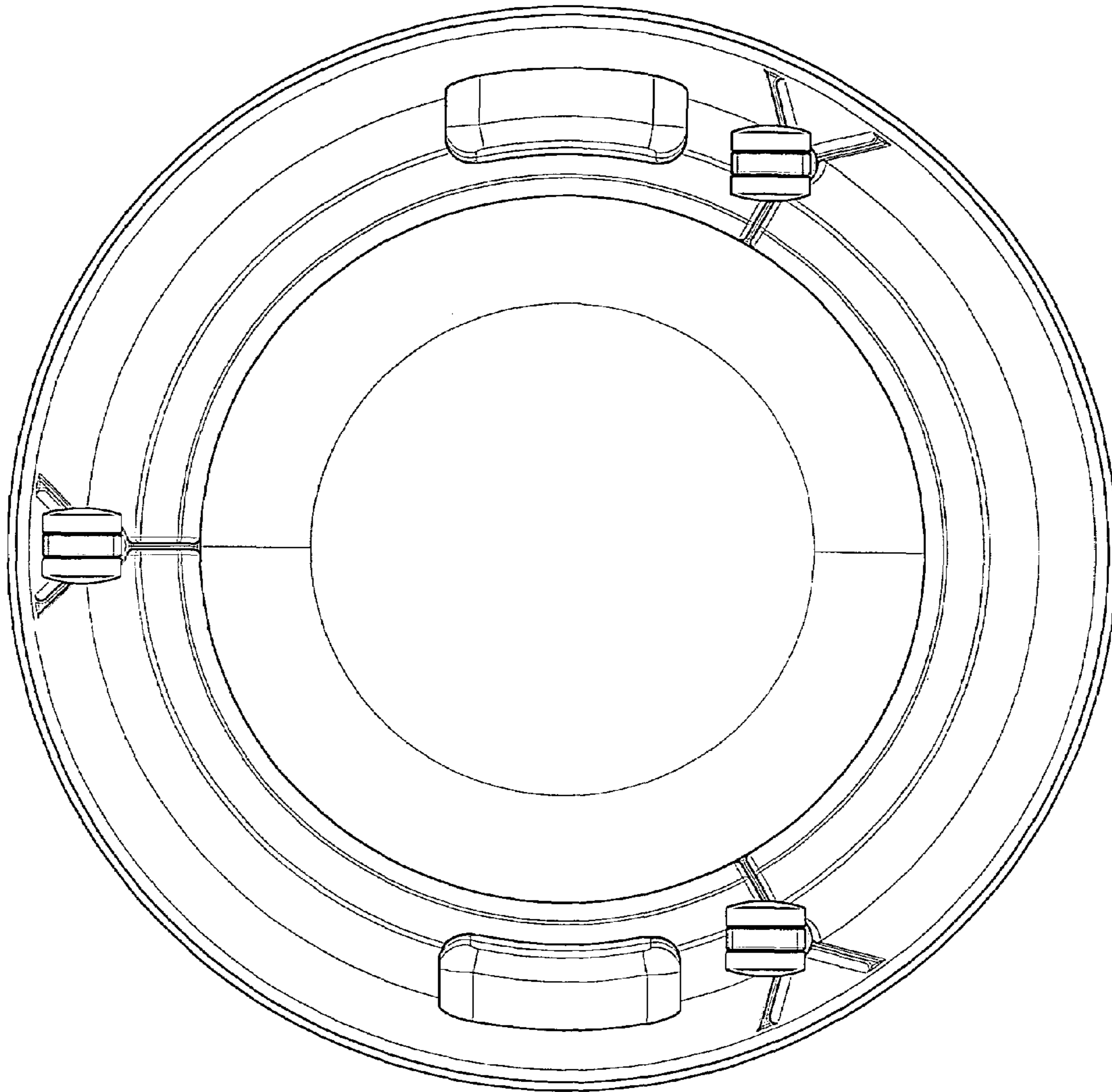


Fig. 6

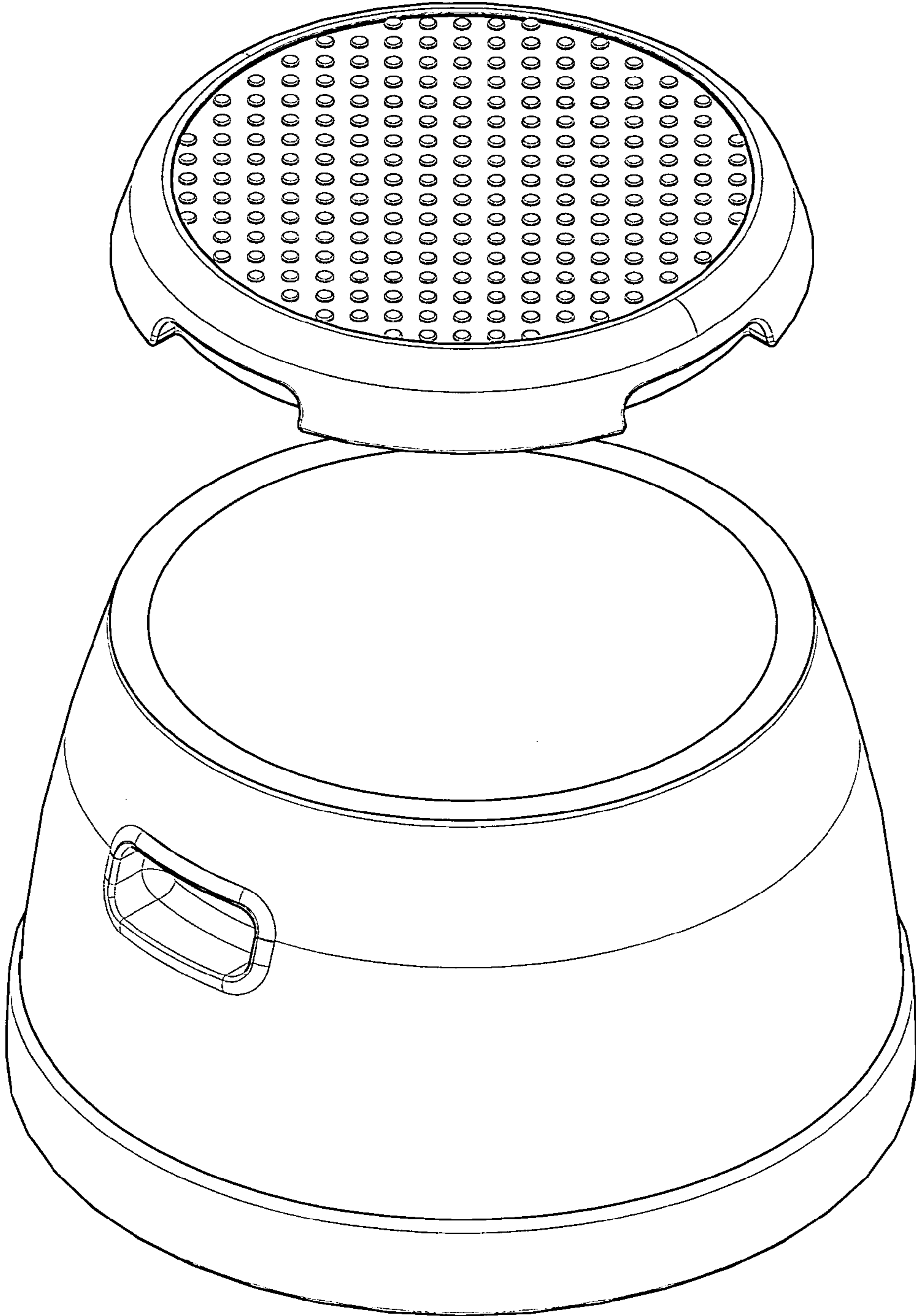


Fig. 7