



US00D566975S

(12) **United States Design Patent**  
**Lee**

(10) **Patent No.: US D566,975 S**  
(45) **Date of Patent: \*\* Apr. 22, 2008**

(54) **CHAIR**

(76) Inventor: **Lawrence K. Lee**, 9320 Harwin Dr.,  
Houston, TX (US) 77036

(\*\*) Term: **14 Years**

(21) Appl. No.: **29/281,673**

(22) Filed: **Jun. 28, 2007**

(51) **LOC (8) Cl. .... 06-01**

(52) **U.S. Cl. .... D6/348**

(58) **Field of Classification Search** ..... D6/334–336,  
D6/344, 347, 348, 369, 370, 374, 376, 379,  
D6/380, 381, 499, 500–502; 297/411.43,  
297/440.15, 445.1, 446.1, 452.63, 452.64,  
297/474.4, 271.5, 271.6, 272.1; D21/412  
See application file for complete search history.

(56) **References Cited**

**U.S. PATENT DOCUMENTS**

D11,514 S *	11/1879	Partridge	.....	D6/348
D31,875 S *	11/1899	Loring	.....	D6/348
D40,588 S *	3/1910	Voncanon	.....	D6/348
1,691,262 A *	11/1928	Wurdack	.....	297/411.43
D109,239 S *	4/1938	Wolpin	.....	D6/370
2,182,485 A *	12/1939	Murdock	.....	297/447.4
2,490,884 A *	12/1949	Rau	.....	297/440.15
3,873,154 A *	3/1975	Baker, Jr.	.....	297/447.4
D252,238 S *	7/1979	Van Sant	.....	D6/379
D319,355 S *	8/1991	Hess	.....	D6/379
D333,577 S *	3/1993	Danko	.....	D6/380
D359,169 S *	6/1995	Willens	.....	D6/348
D399,064 S *	10/1998	Noll	.....	D6/344

D399,065 S *	10/1998	Noll	.....	D6/344
D403,516 S *	1/1999	Noll	.....	D6/344
D420,824 S *	2/2000	Lin	.....	D6/370
D441,976 S *	5/2001	Cramer	.....	D6/380
D459,597 S *	7/2002	Calvey	.....	D6/348
D509,966 S *	9/2005	Katz et al.	.....	D6/348

\* cited by examiner

*Primary Examiner*—Mimosa De

(74) *Attorney, Agent, or Firm*—Egbert Law Offices

(57) **CLAIM**

The ornamental design for a chair, as shown and described.

**DESCRIPTION**

FIG. 1 is an upper perspective view of the chair showing my design.

FIG. 2 is a front view thereof;

FIG. 3 is a back view thereof;

FIG. 4 is a side view thereof;

FIG. 5 is an opposite side view thereof;

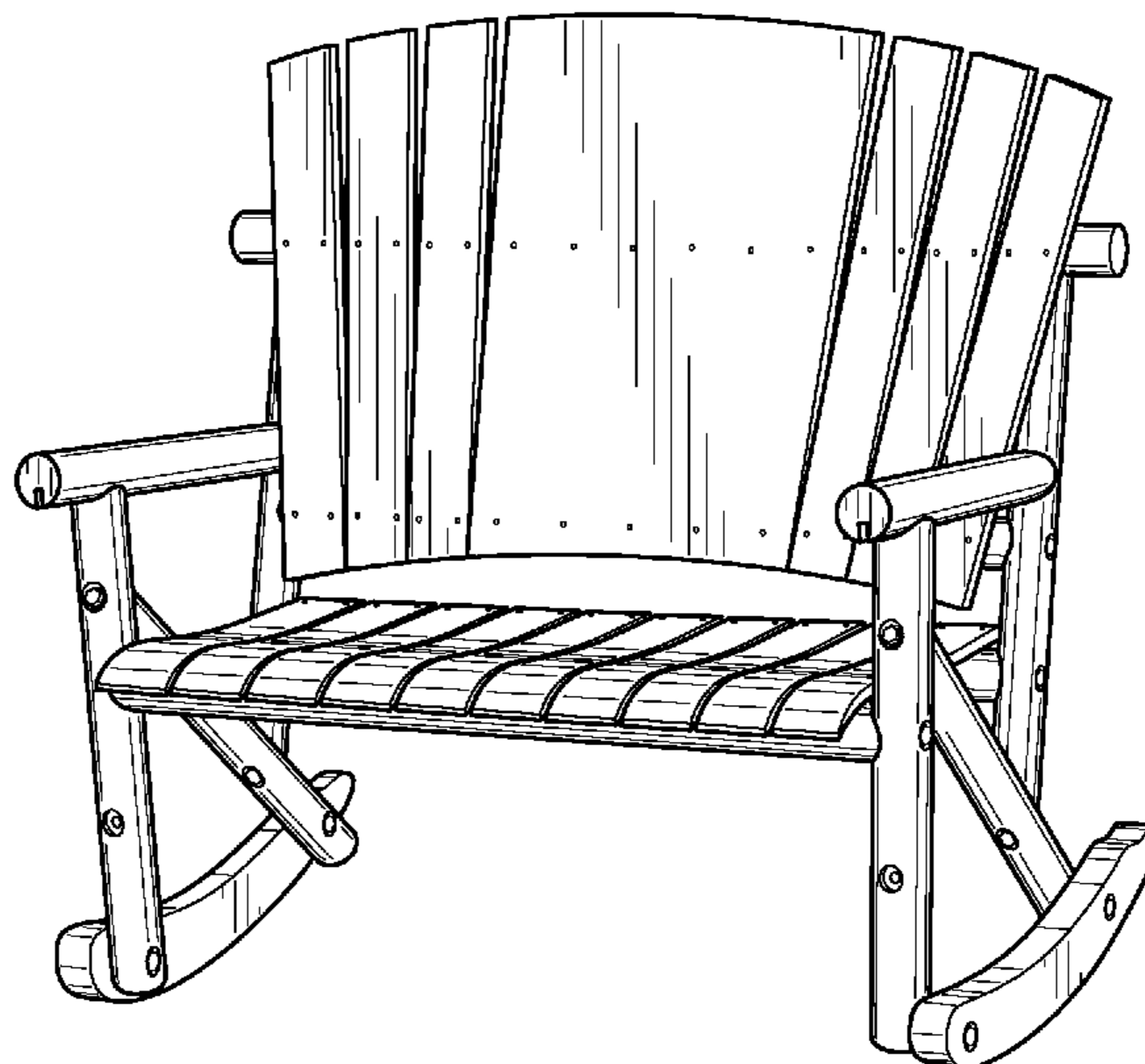
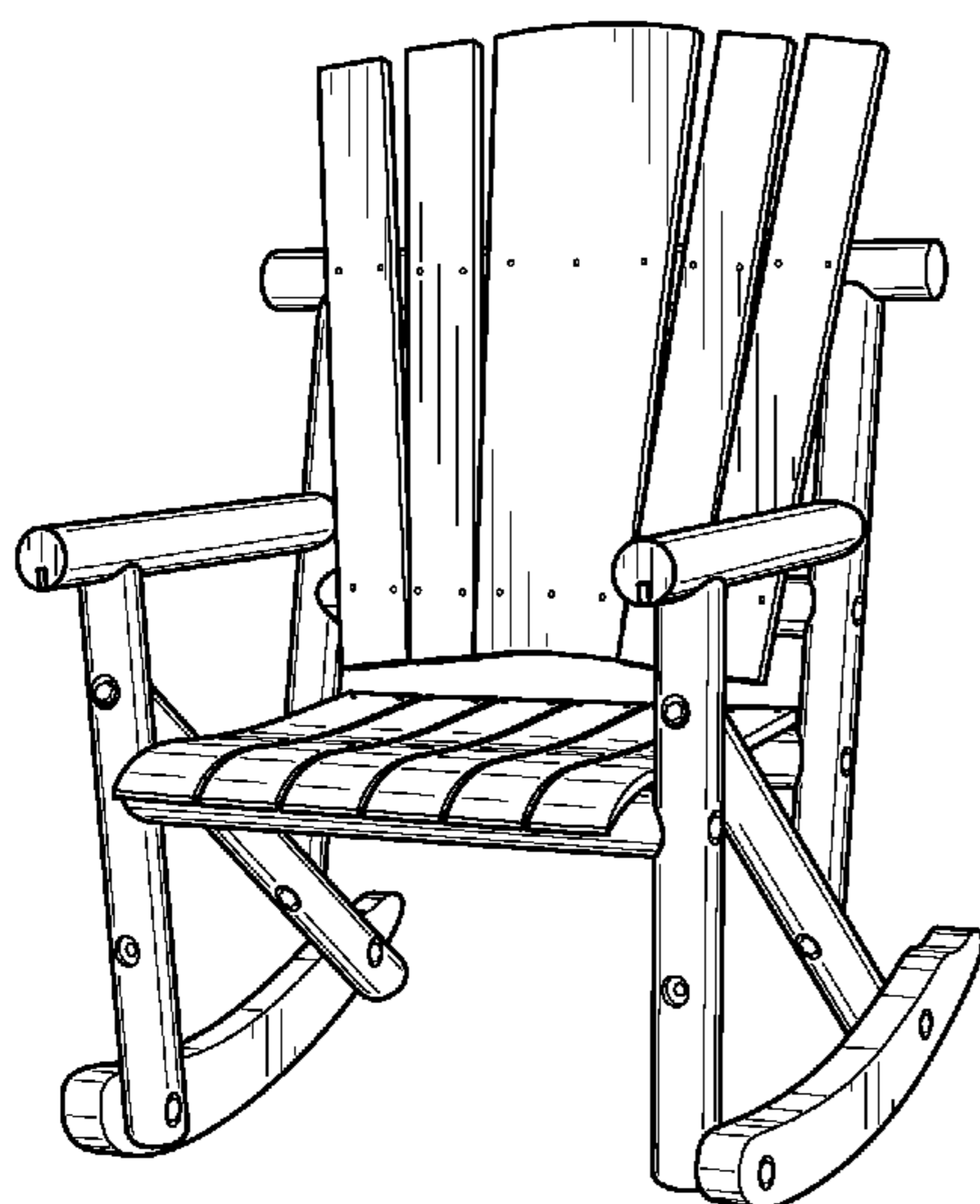
FIG. 6 is top view thereof;

FIG. 7 is a bottom view thereof; and,

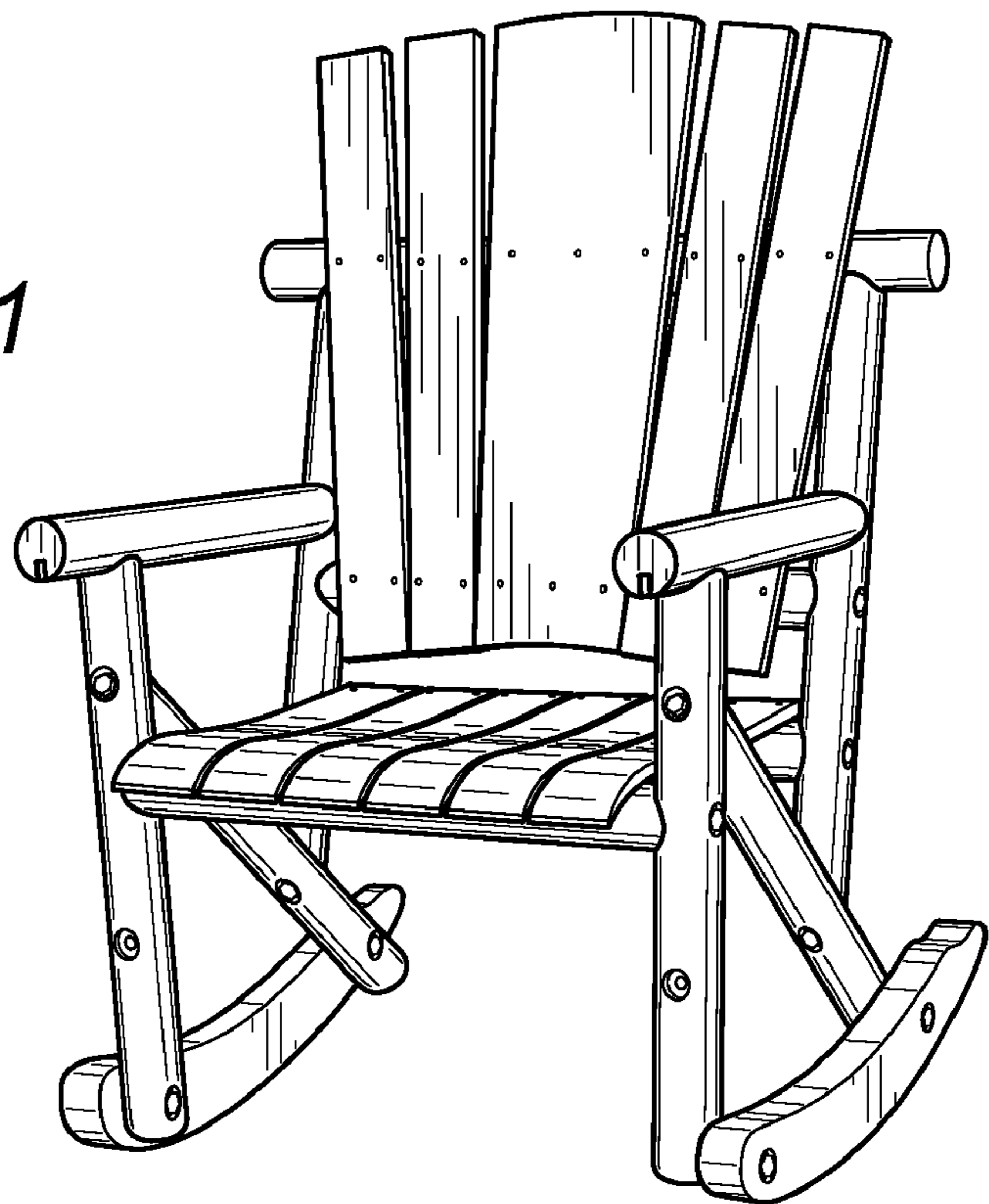
FIG. 8 is another upper perspective view of a second embodiment, the difference being a matter of length.

The chair is a piece of furniture for sitting. The chair in this design is a rocking chair. The embodiments have the same design features, the differences between embodiments being a matter of length.

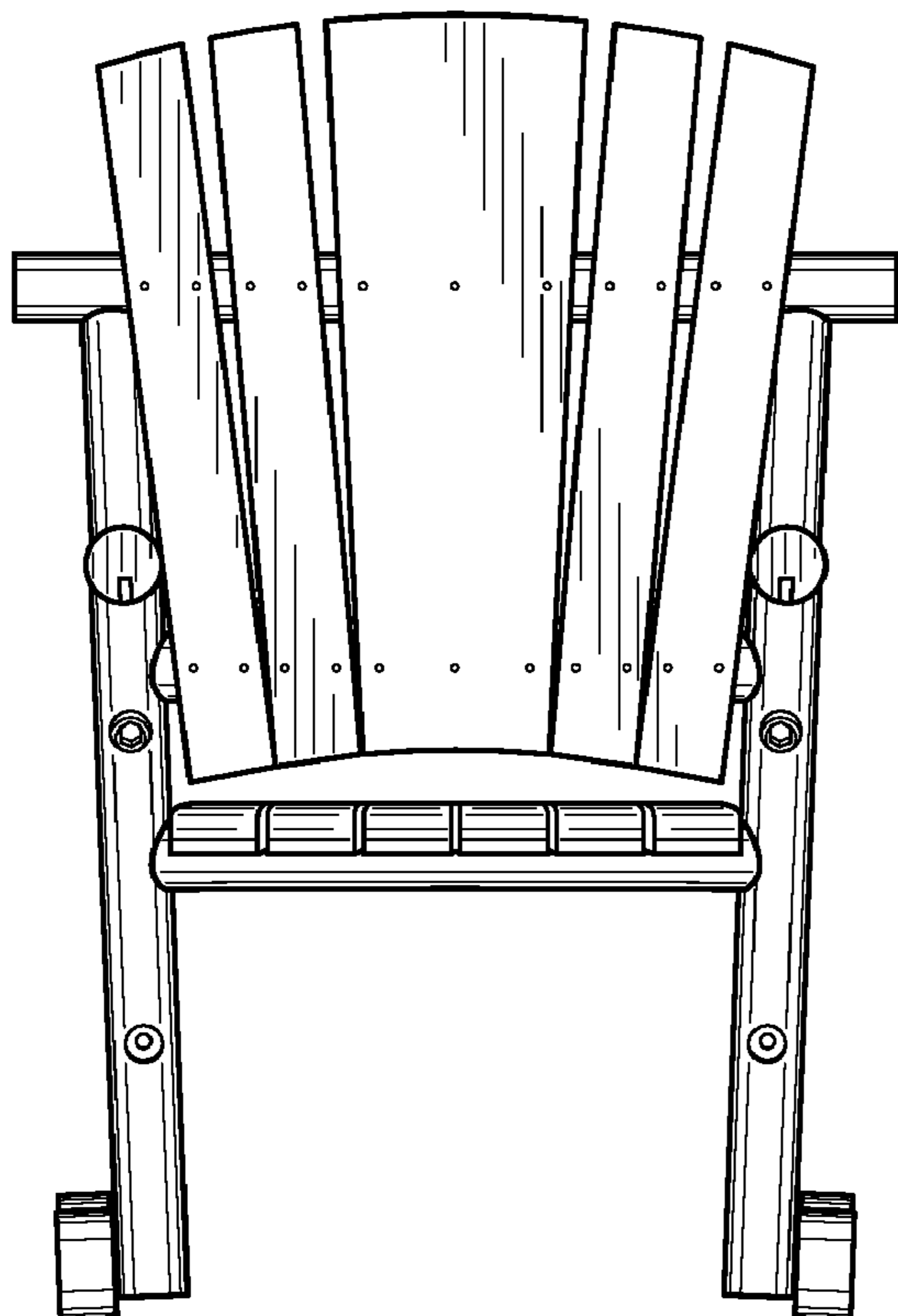
**1 Claim, 3 Drawing Sheets**

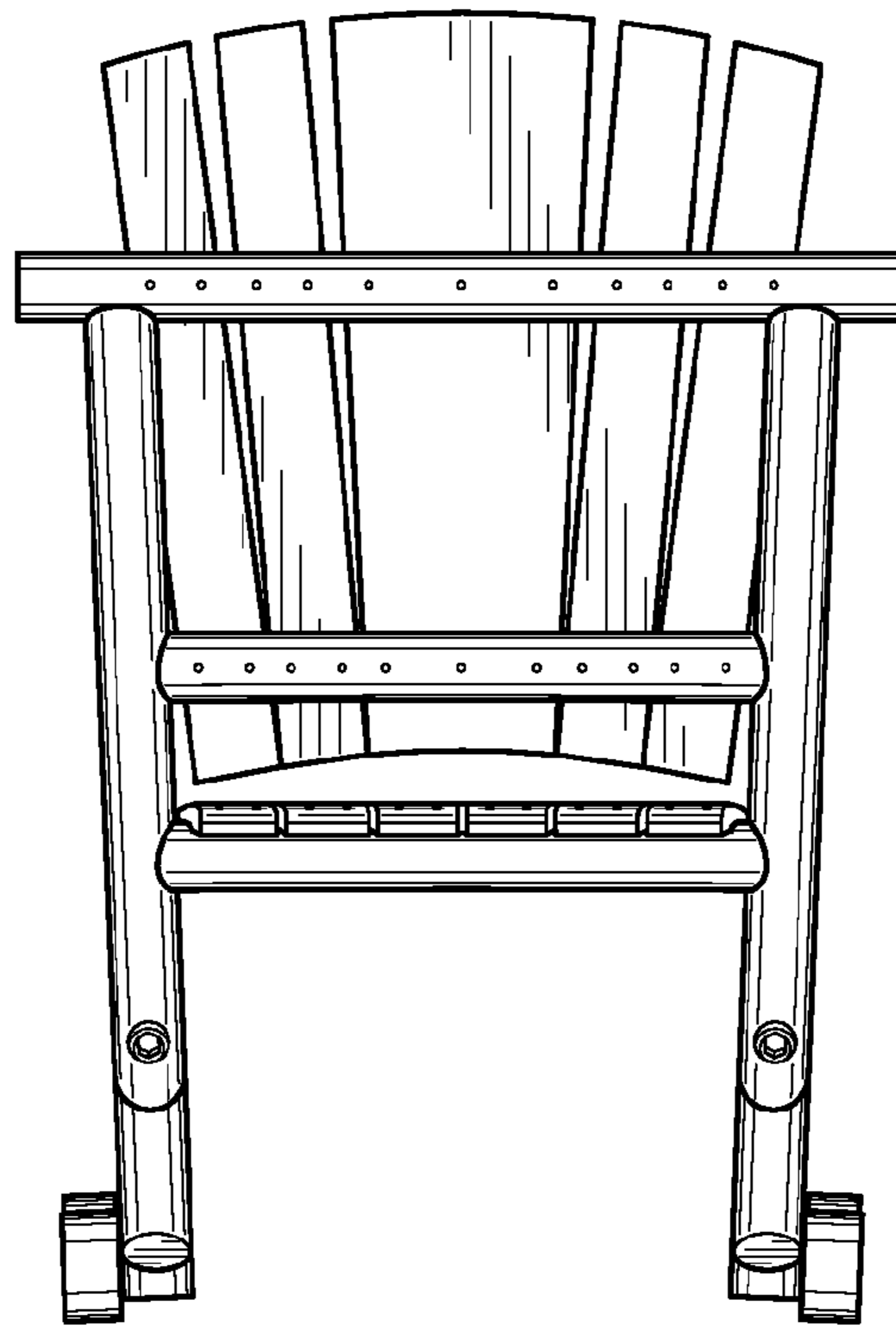


*FIG. 1*

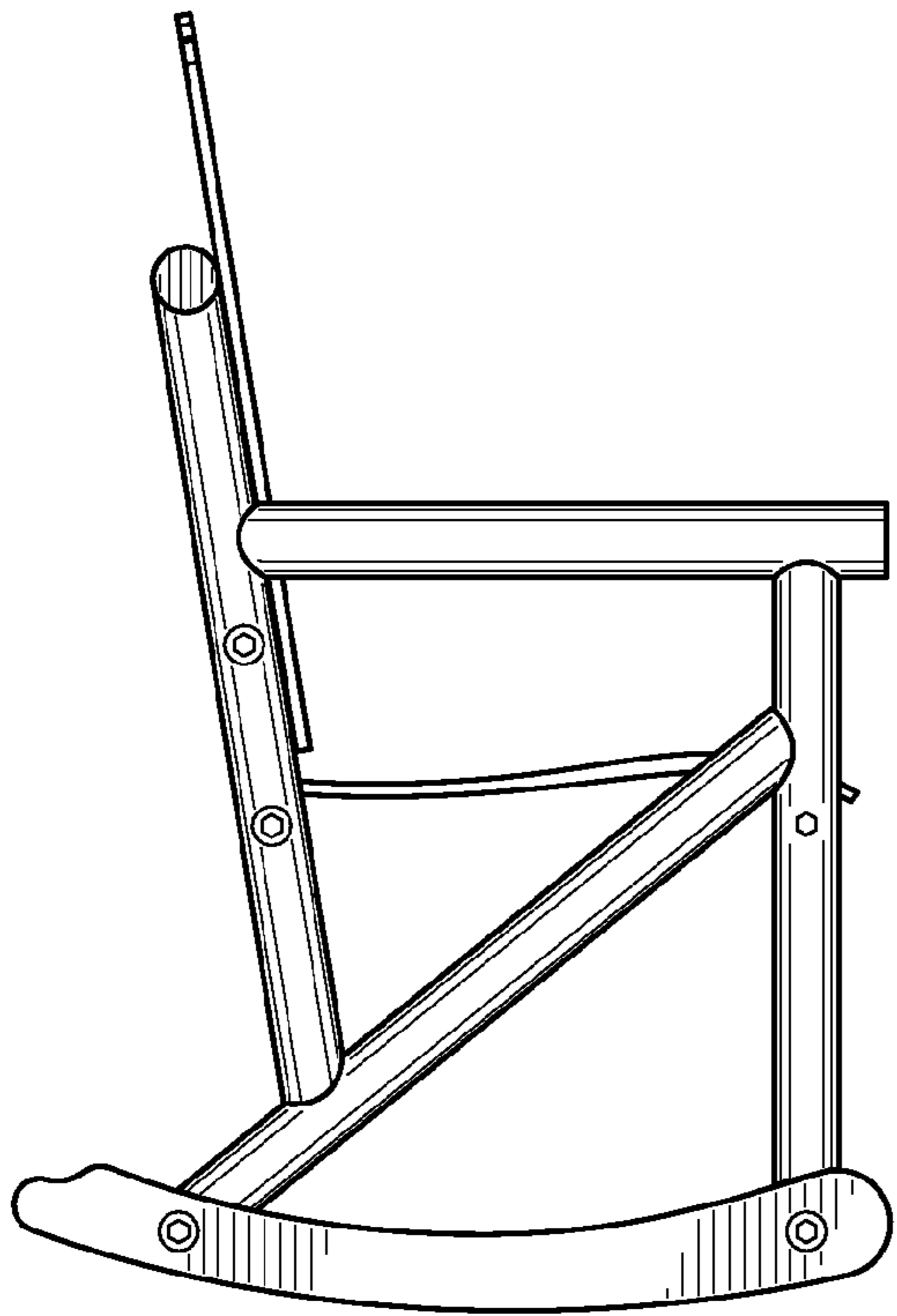


*FIG. 2*

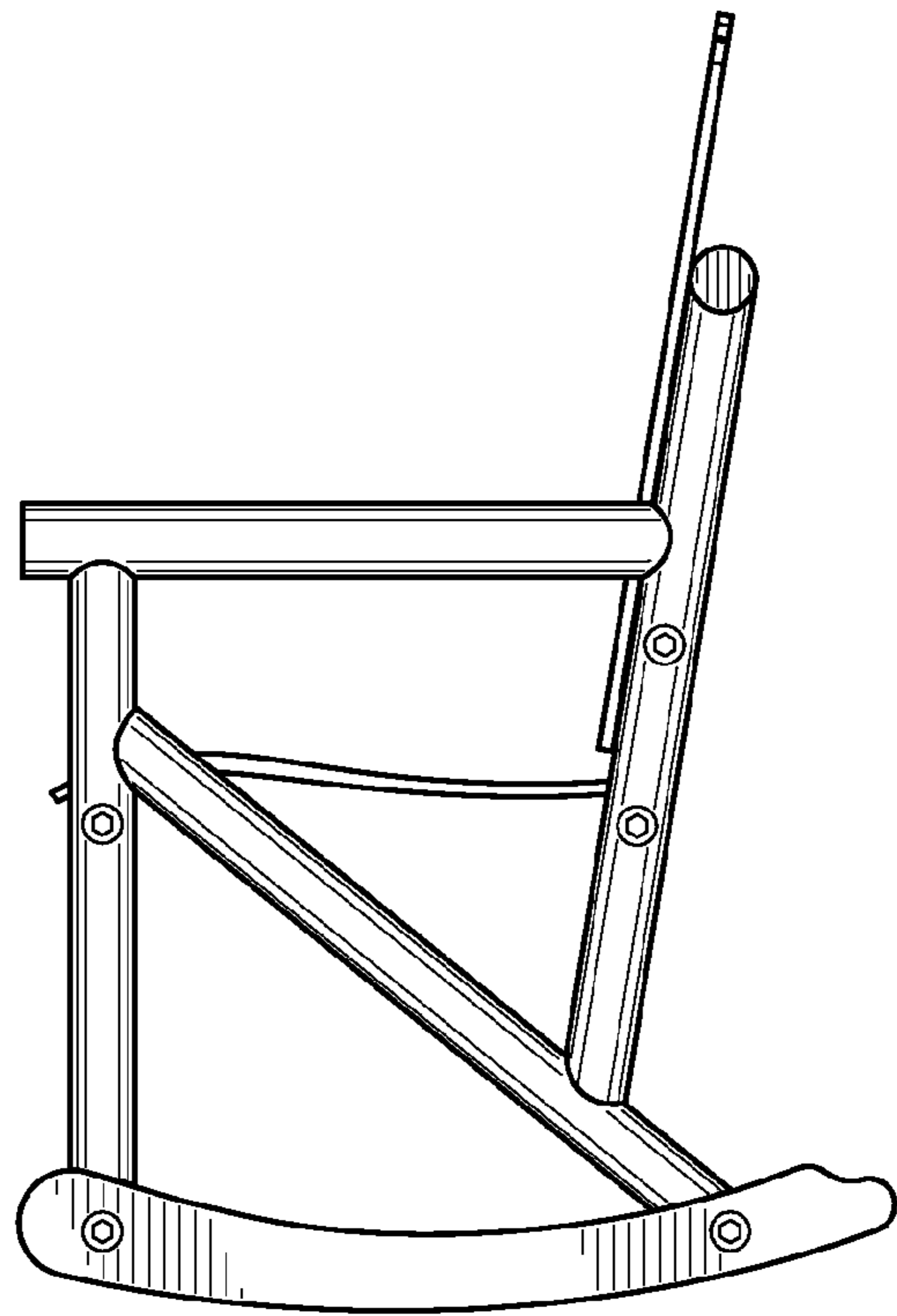




*FIG. 3*



*FIG. 4*



*FIG. 5*

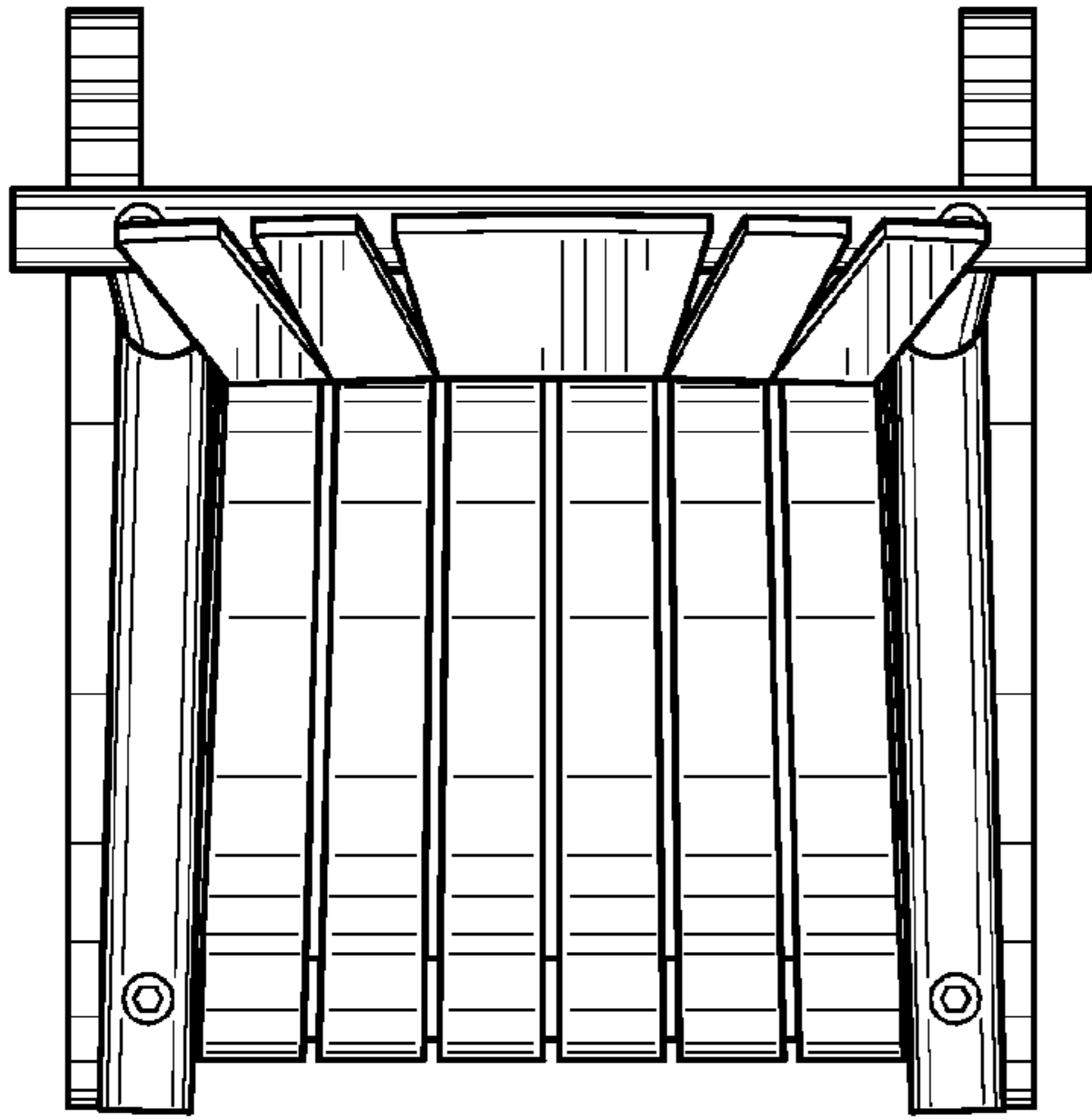


FIG. 6

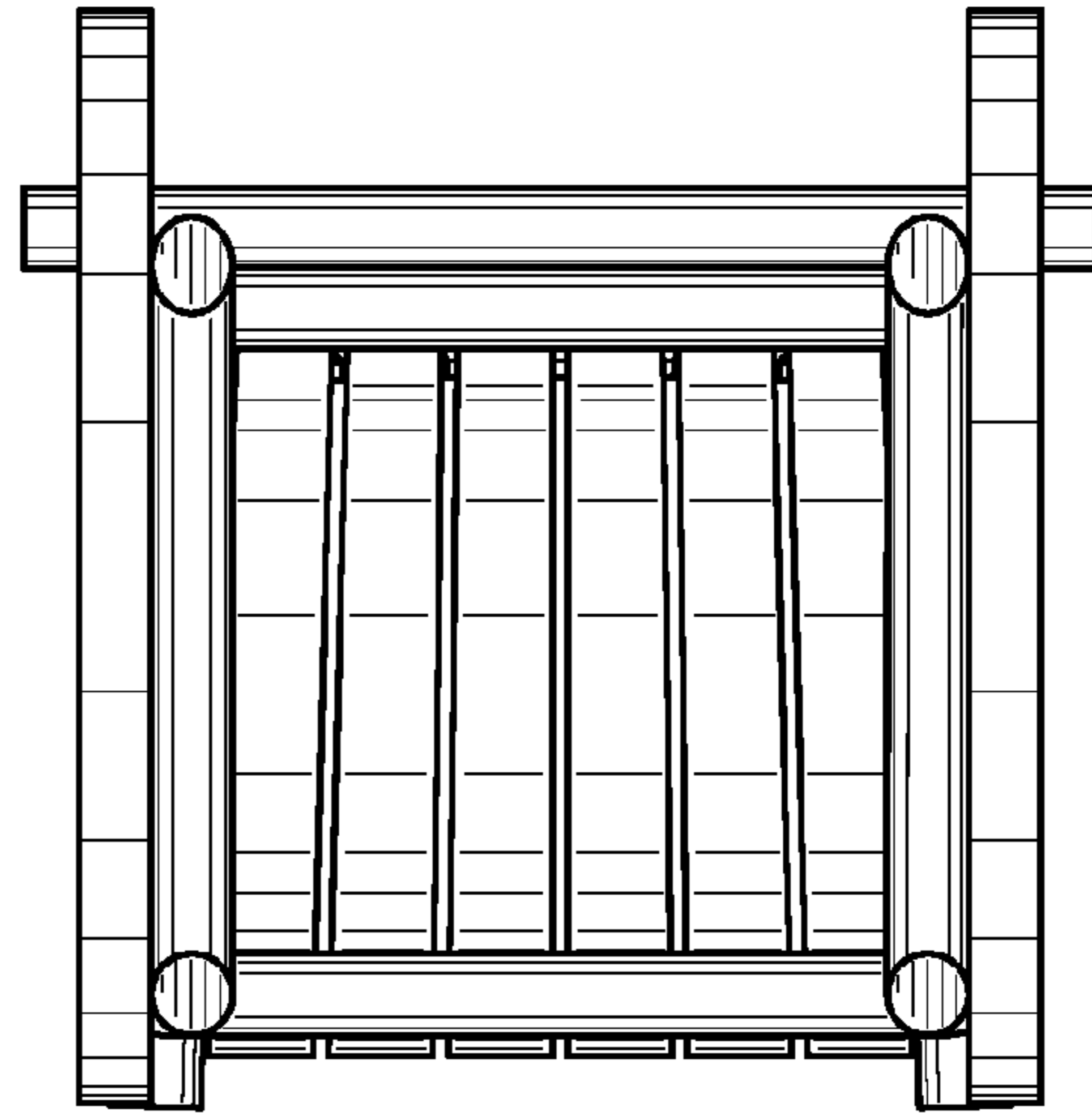


FIG. 7

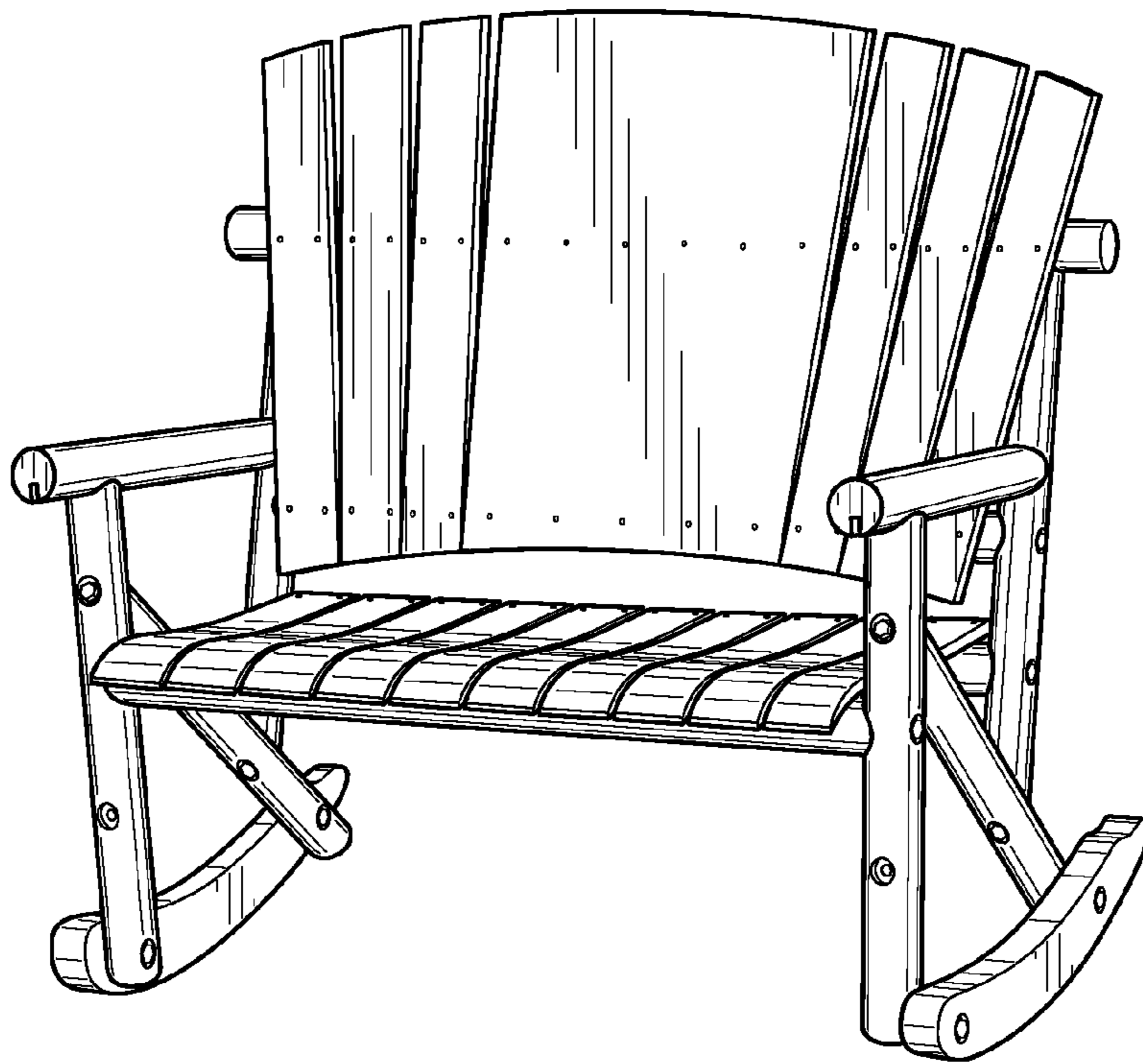


FIG. 8