

US00D566964S

(12) **United States Design Patent**
Greiner

(10) **Patent No.:** **US D566,964 S**

(45) **Date of Patent:** **** Apr. 22, 2008**

(54) **TRAVEL ORGANIZER**

(76) Inventor: **Lori Greiner**, 1301 Dearborn Pkwy.,
Suite 402, Chicago, IL (US) 60610

(**) Term: **14 Years**

(21) Appl. No.: **29/249,696**

(22) Filed: **Oct. 18, 2006**

5,676,223 A	10/1997	Cunningham	
D387,906 S *	12/1997	Petty	D3/299
5,967,270 A	10/1999	Shyr	
6,000,509 A	12/1999	Chisholm	
6,109,443 A *	8/2000	Dercole	206/581
6,196,718 B1 *	3/2001	DeChant	383/66
6,296,094 B1	10/2001	Knecht	
6,334,519 B1	1/2002	Tong	
6,883,635 B2	4/2005	Lynn et al.	
2004/0007433 A1	1/2004	Godshaw et al.	

* cited by examiner

Related U.S. Application Data

(60) Division of application No. 29/259,804, filed on May 16, 2006, which is a continuation-in-part of application No. 11/216,998, filed on Aug. 31, 2005.

(51) **LOC (8) Cl.** **03-01**

(52) **U.S. Cl.** **D3/293; D3/278**

(58) **Field of Classification Search** D3/273,
D3/276, 278, 279, 284, 285, 299, 303; 190/110,
190/109, 111, 112, 100; 383/110; 150/117
See application file for complete search history.

Primary Examiner—Philip S. Hyder

(74) *Attorney, Agent, or Firm*—Fredrikson & Byron, P.A.

(57) **CLAIM**

I claim the ornamental design for a travel organizer, as shown and described.

(56) **References Cited**

U.S. PATENT DOCUMENTS

2,254,578 A	9/1941	O'Brien	
3,294,134 A *	12/1966	Matross et al.	383/39
D303,177 S *	9/1989	Lehman	D3/274
4,966,260 A *	10/1990	Young	190/111
D312,727 S *	12/1990	Kunewalder	D3/303
5,117,974 A *	6/1992	Bieber	206/278
D333,913 S *	3/1993	Tuman	D3/285
5,207,254 A	5/1993	Fromm	
5,397,040 A	3/1995	Lee	
D362,748 S *	10/1995	Schildkraut	D3/303
5,575,362 A	11/1996	Franklin et al.	

DESCRIPTION

FIG. 1 is a perspective view of a travel organizer, showing my new design;

FIG. 2, is a front elevation view thereof;

FIG. 3 is a rear elevation view thereof;

FIG. 4 is a left side elevation view thereof;

FIG. 5 is a left side elevation view thereof;

FIG. 6 is a right side elevation view thereof; and,

FIG. 7 is a bottom plan view thereof.

The broken line portions of the travel organizer is included for the purpose of illustrating environmental structure and form no part of the claimed design.

1 Claim, 5 Drawing Sheets

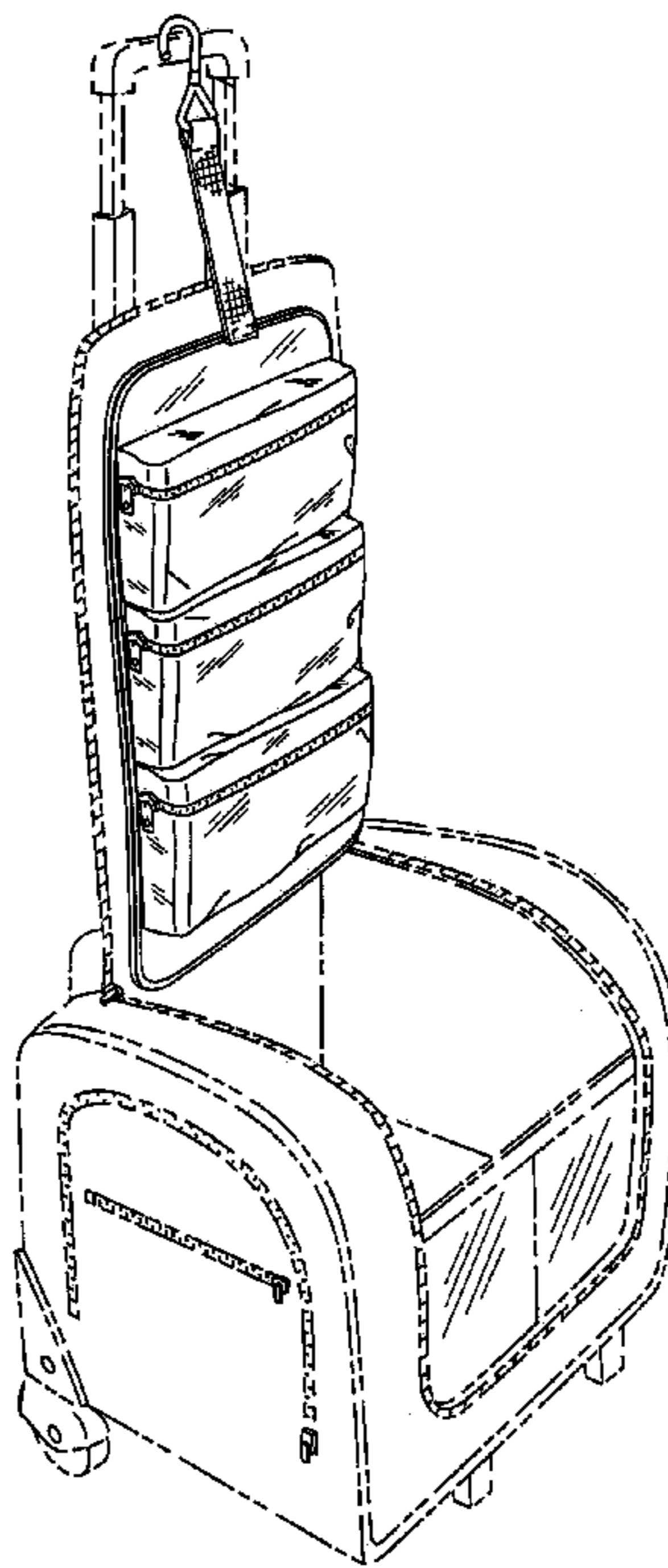


Fig. 1

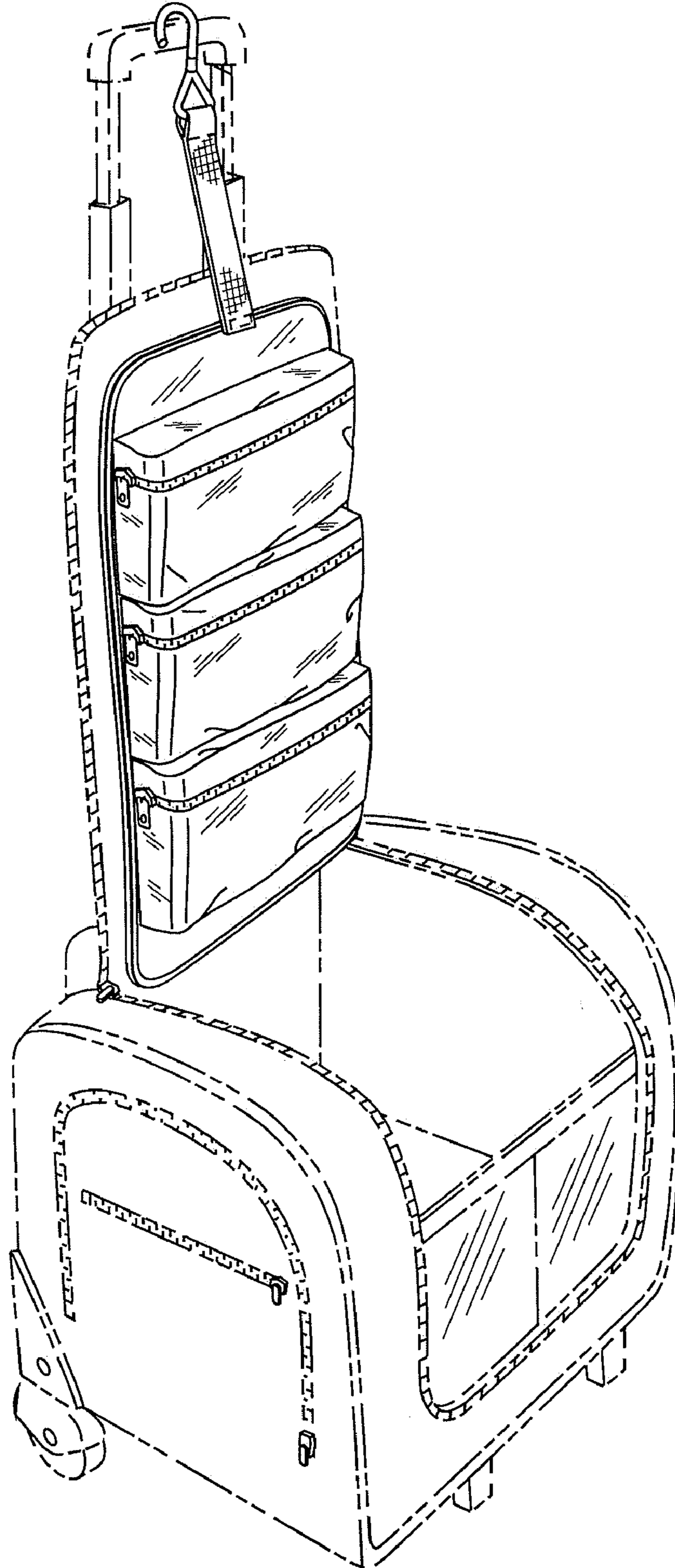


Fig. 2

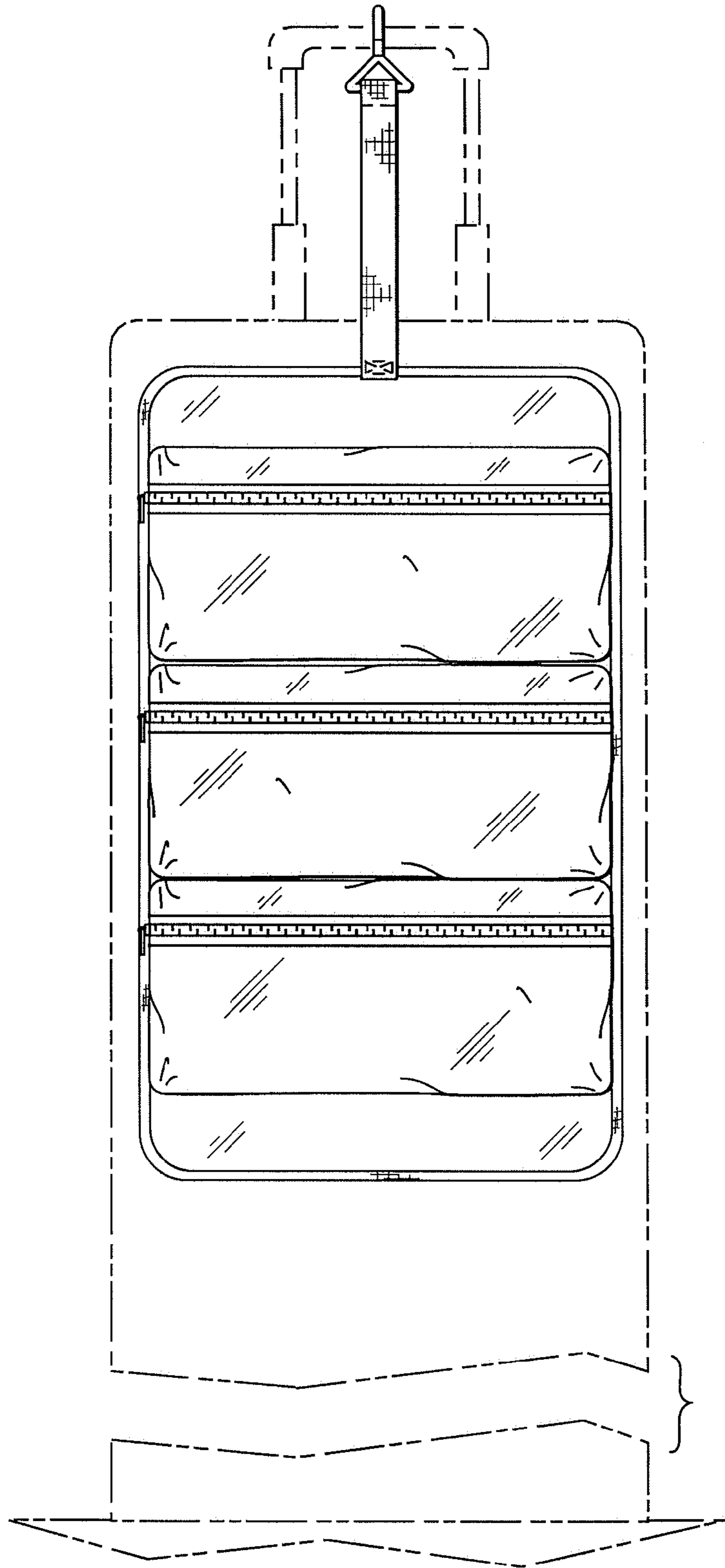


Fig. 3

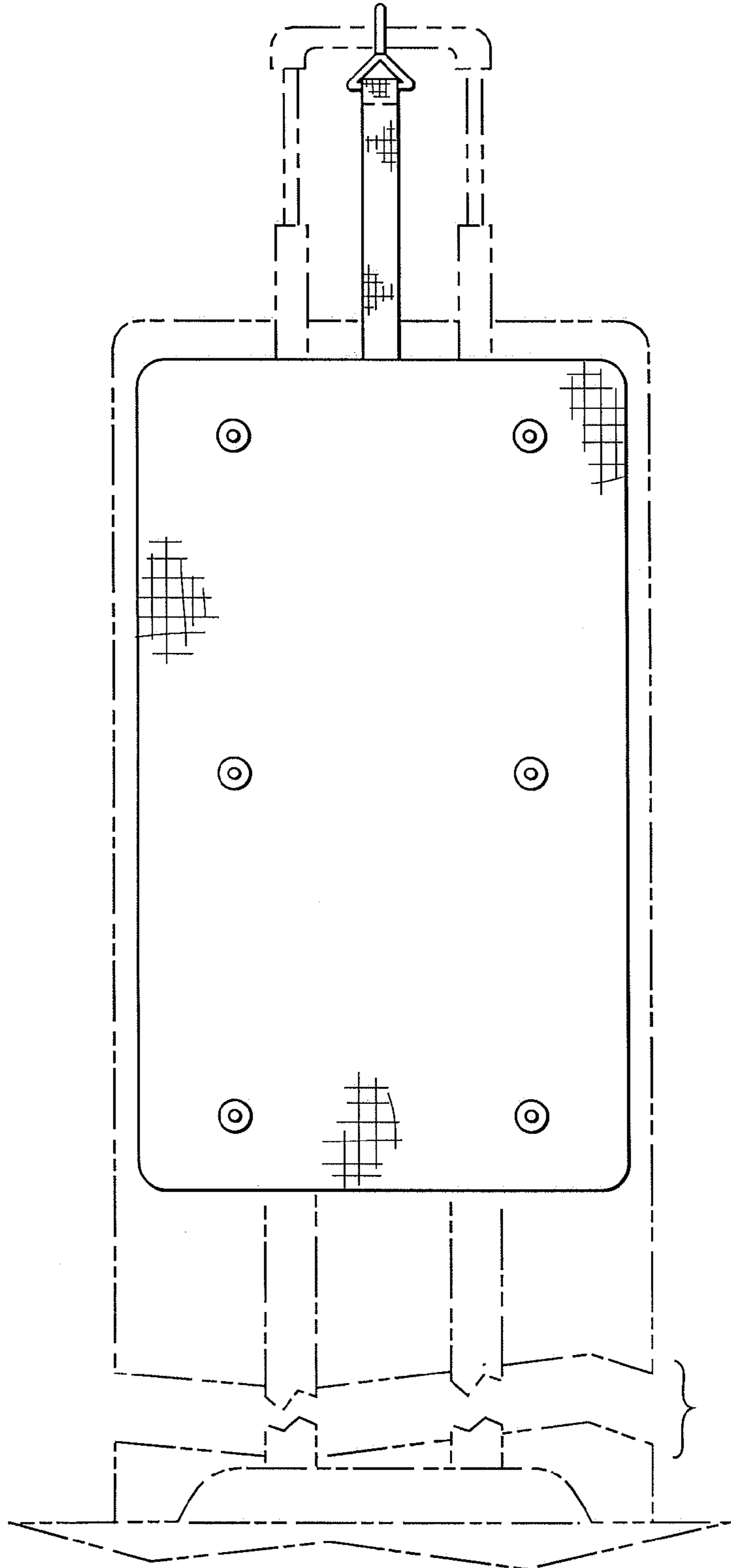


Fig. 4

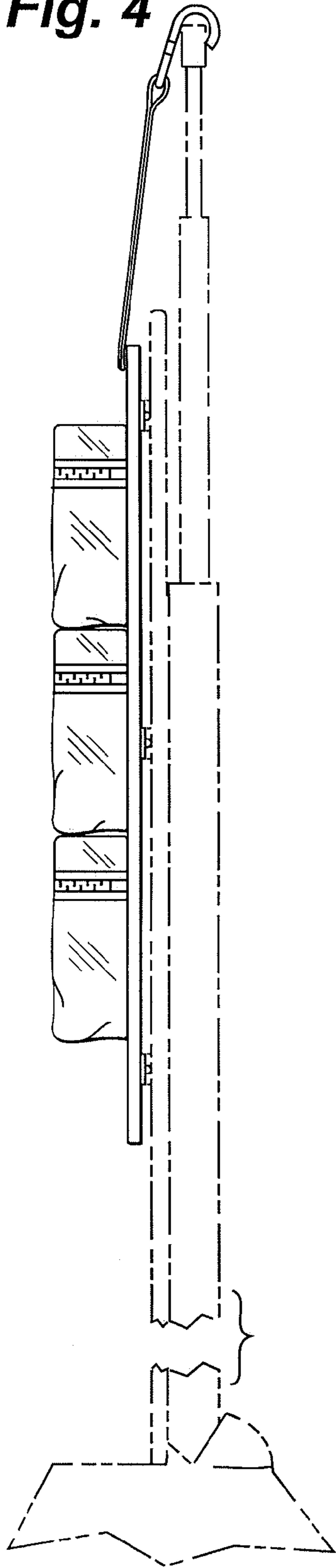


Fig. 5

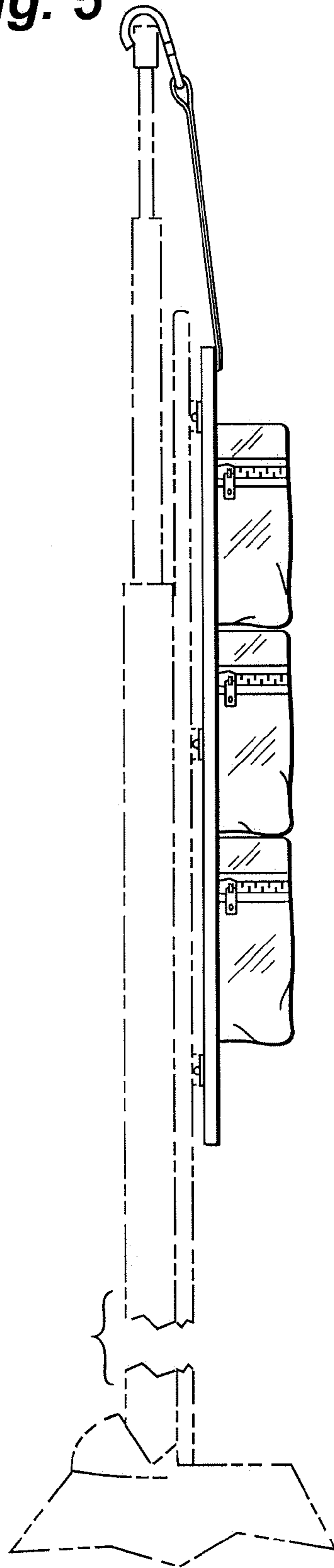


Fig. 6

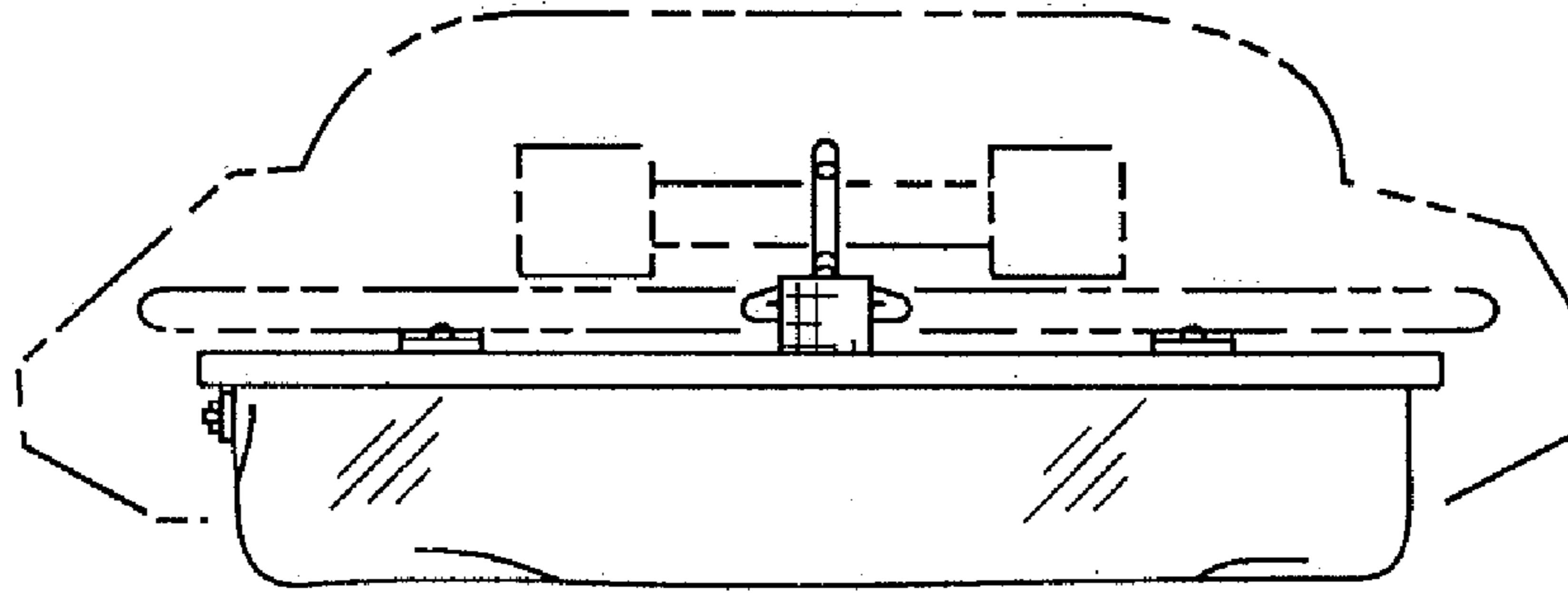


Fig. 7

