

US00D566962S

(12) **United States Design Patent**
Griffin et al.

(10) **Patent No.:** **US D566,962 S**
(45) **Date of Patent:** **** Apr. 22, 2008**

(54) **DECORATIVE CASE FOR AN MP3 PLAYER DEVICE**

(75) Inventors: **Paul Griffin**, Nashville, TN (US); **Dan Poon**, Hermitage, TN (US); **Jason Collins**, Franklin, TN (US); **John Alexander**, Franklin, TN (US)

(73) Assignee: **Griffin Technology, Inc.**, Nashville, TN (US)

(**) Term: **14 Years**

(21) Appl. No.: **29/271,531**

(22) Filed: **Jan. 22, 2007**

(51) **LOC (8) Cl.** **03-01**

(52) **U.S. Cl.** **D3/218**

(58) **Field of Classification Search** D3/218,
D3/201, 215, 226, 269, 272-273; 206/305,
206/320; 455/90, 92, 42; 379/455; 224/901,
224/904, 682-683, 666; D14/496, 156, 138
See application file for complete search history.

(56) **References Cited**

U.S. PATENT DOCUMENTS

D542,524 S *	5/2007	Richardson et al.	D3/218
D553,852 S *	10/2007	Brandenburg	D3/218
D556,448 S *	12/2007	Brandenburg	D3/218
D557,205 S *	12/2007	Kim	D3/218

* cited by examiner

Primary Examiner—Catherine R Oliver

(74) *Attorney, Agent, or Firm*—Michael E. McKee

(57) **CLAIM**

The ornamental design for a decorative case for an MP3 player device, as shown and described.

DESCRIPTION

FIG. 1 is a perspective view of the decorative case for an MP3 player device showing my new design;

FIG. 2 is front view thereof;

FIG. 3 is a rear view thereof;

FIG. 4 is a right side view thereof, the left side view thereof being a mirror image;

FIG. 5 is a top view thereof;

FIG. 6 is a bottom view thereof;

FIG. 7 is a perspective view of the decorative case illustrating in phantom optional lights and edges visible beneath the front surface of the decorative case; and,

FIG. 8 is a front view thereof.

The broken line showing of environment in the drawings is included for the purpose of illustrating only and forms no part of the claimed design.

1 Claim, 6 Drawing Sheets

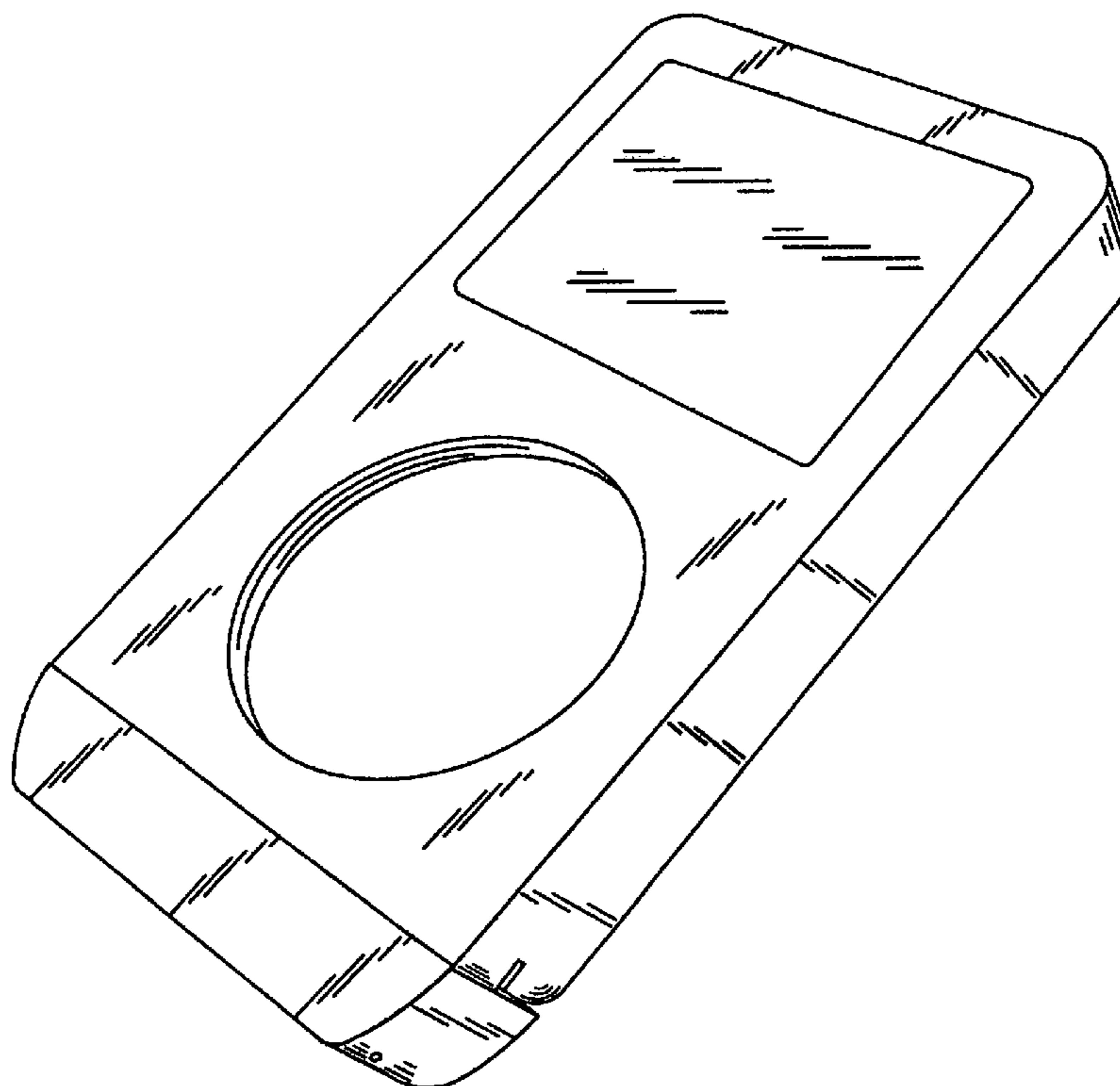


FIG. 1

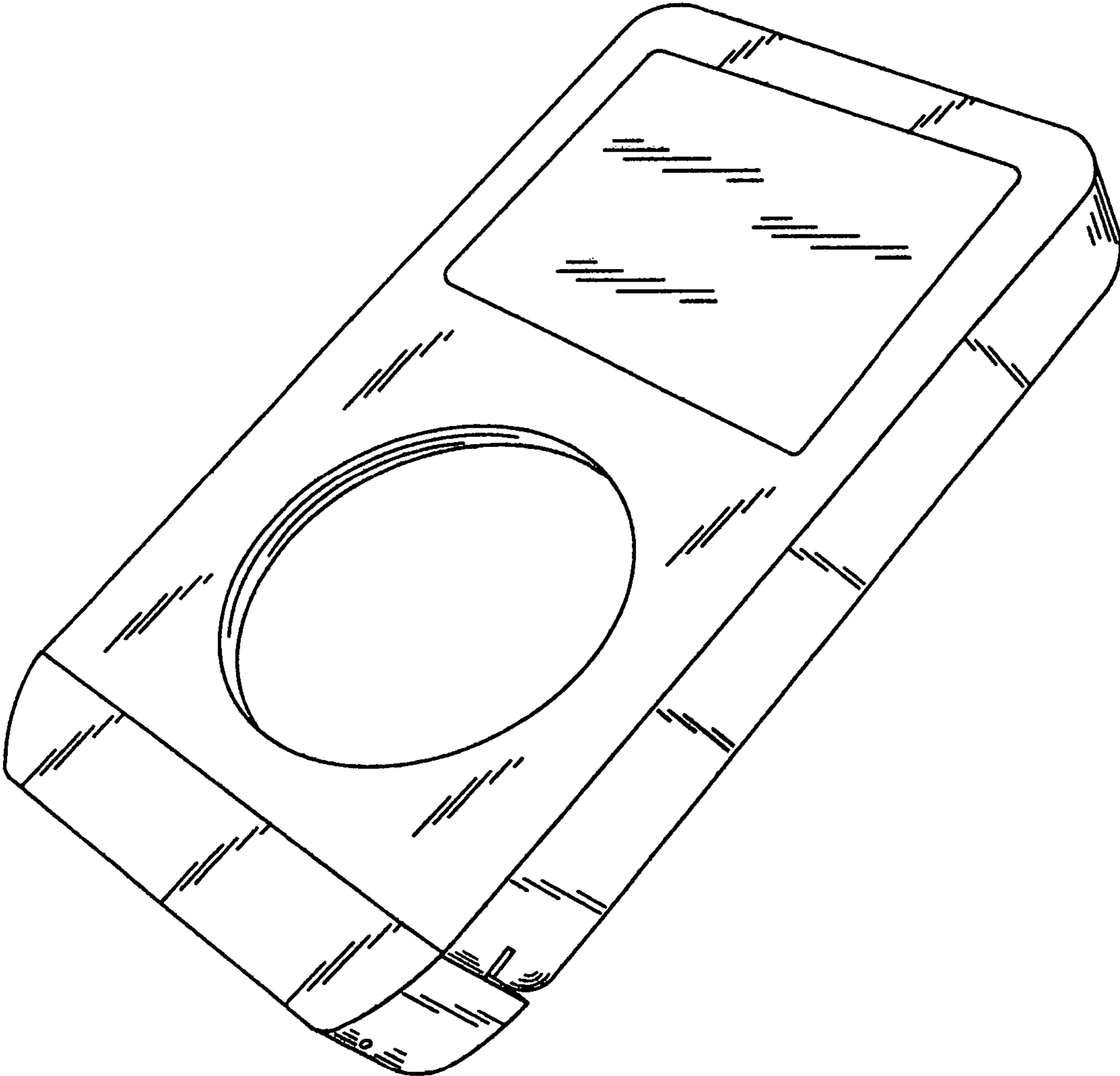


FIG. 2

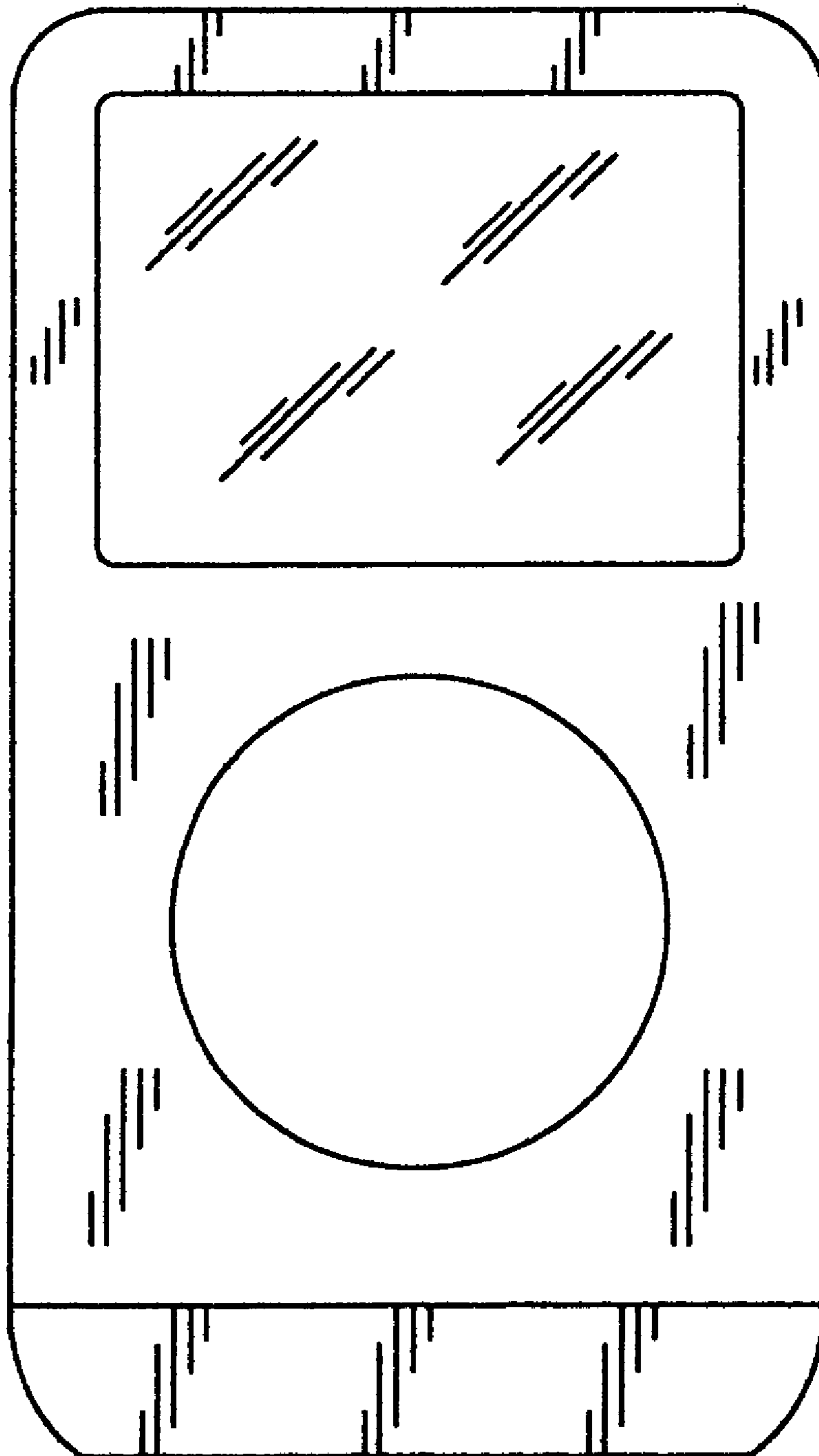
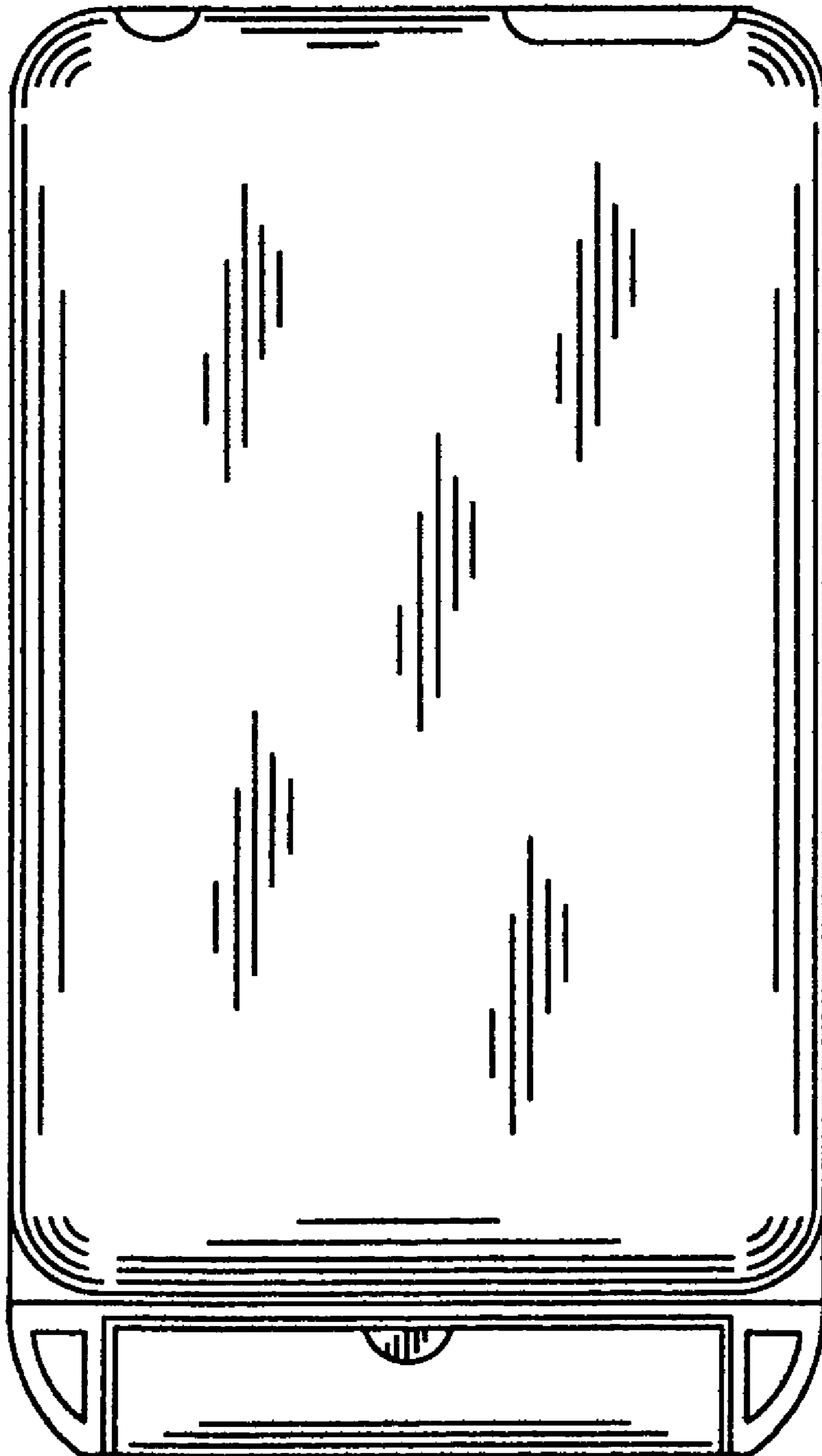


FIG. 3



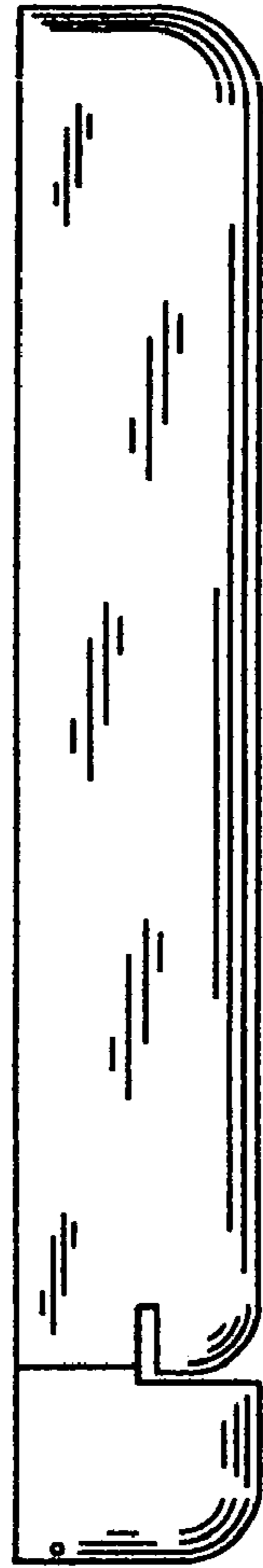


FIG. 4

FIG. 5



FIG. 6

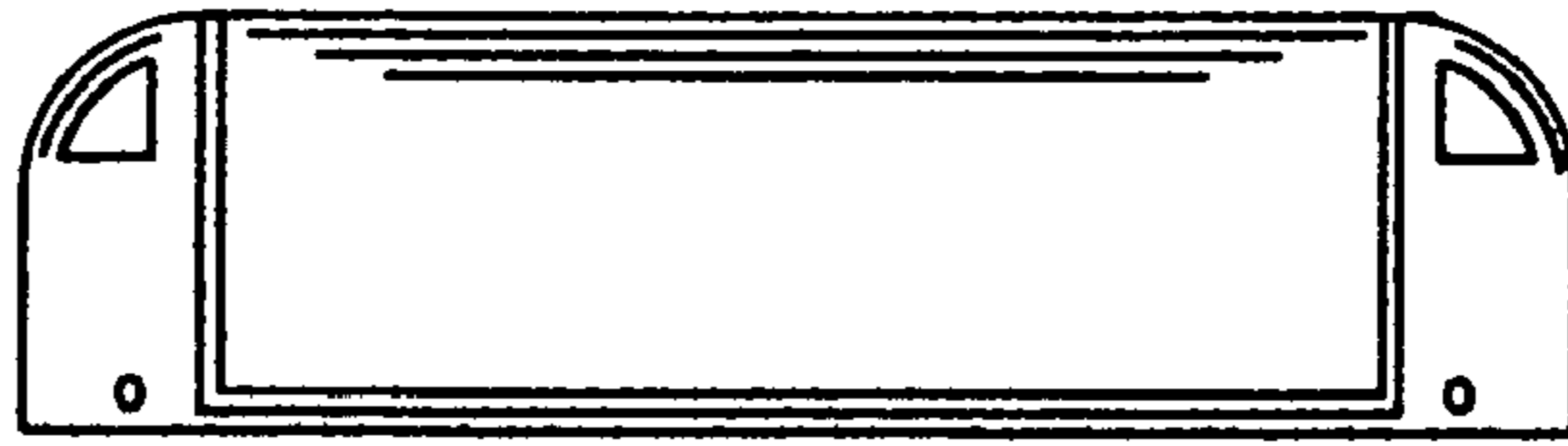


FIG. 7

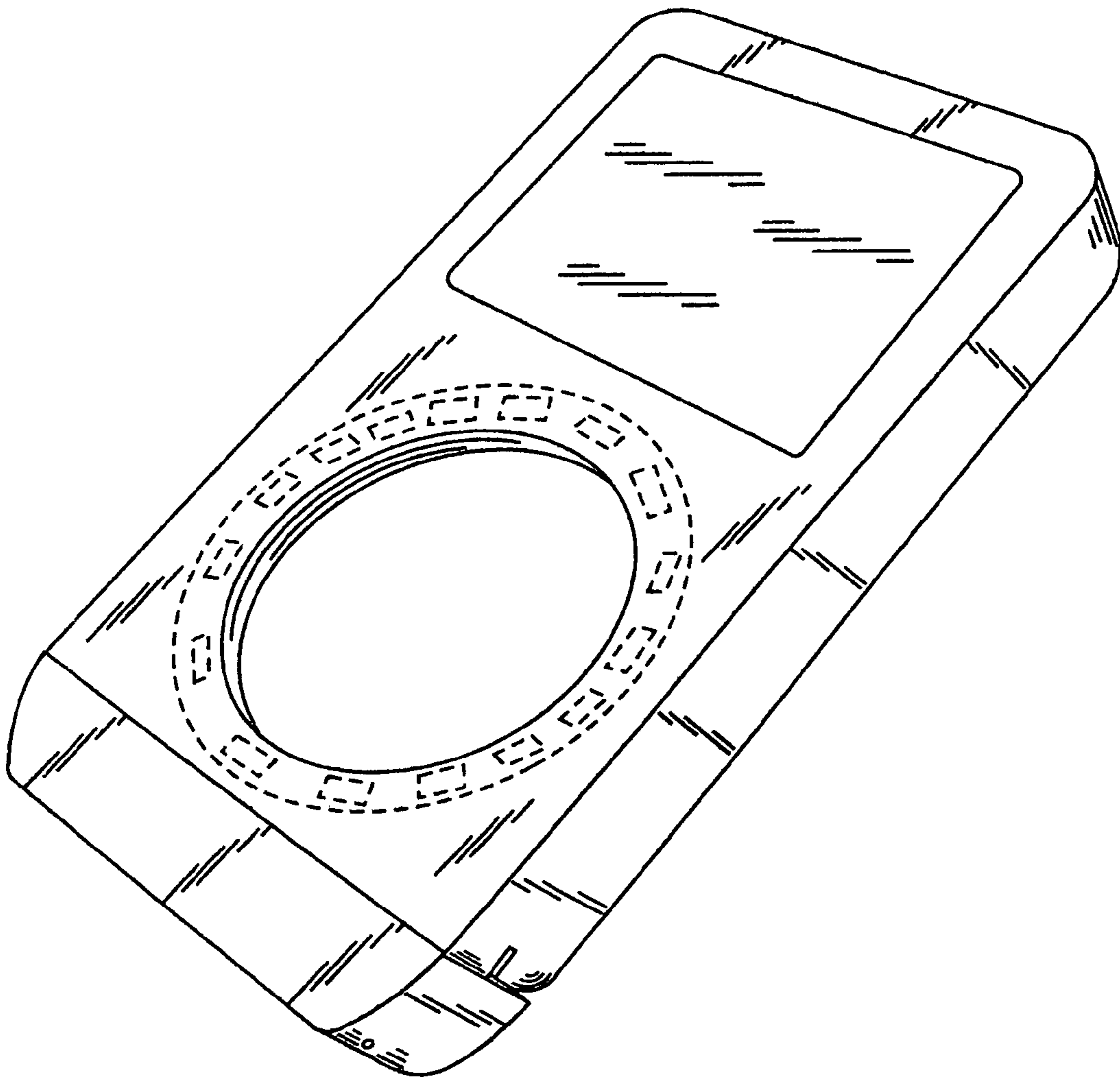


FIG. 8

