



US00D566927S

(12) **United States Design Patent**
Graham

(10) **Patent No.:** **US D566,927 S**

(45) **Date of Patent:** **** Apr. 22, 2008**

(54) **JACKET**

(76) **Inventor:** **Otto T. Graham**, 5063 Inaglen Way,
Los Angeles, CA (US) 90043

(**) **Term:** **14 Years**

(21) **Appl. No.:** **29/241,628**

(22) **Filed:** **Oct. 28, 2005**

(51) **LOC (8) Cl.** **02-02**

(52) **U.S. Cl.** **D2/828; D2/839**

(58) **Field of Classification Search** D2/717,
D2/718, 724, 725, 728, 749-751, 828-831,
D2/833, 834, 836, 837, 839, 840-842, 844-850,
D2/853, 857, 860-864; 2/455, 44-46, 459-462,
2/50, 51, 77, 84-87, 93-96, 100-102, 106,
2/108, 113-115, 121, 122, 247, 123; D3/215-217;
D29/100-101.4

See application file for complete search history.

(56) **References Cited**

U.S. PATENT DOCUMENTS

2,448,416	A *	8/1948	Carter	2/94
2,865,025	A *	12/1958	Hennessey	2/94
2,873,449	A *	2/1959	Herbert	2/94
2,919,443	A *	1/1960	Kashiyama	2/94
3,144,661	A *	8/1964	Buser	2/114
4,470,155	A *	9/1984	Maeshima	2/108
4,637,075	A *	1/1987	Ingrisano et al.	2/94
5,031,244	A *	7/1991	Inagaki	2/102
5,077,838	A *	1/1992	Senser	2/69
5,195,187	A *	3/1993	Yang	2/102
5,226,193	A *	7/1993	Chen	2/69.5
5,452,476	A *	9/1995	Jenks	2/46

5,570,473	A *	11/1996	Andries	2/93
D391,038	S *	2/1998	Thompson	D2/829
D414,013	S *	9/1999	Group	D2/828
6,105,170	A *	8/2000	Lisciandro et al.	2/102
D437,673	S *	2/2001	DesJardins et al.	D2/839
D439,029	S *	3/2001	Goldman	D2/831
6,263,510	B1 *	7/2001	Bay et al.	2/93
6,324,697	B1 *	12/2001	Shofner	2/102
D457,711	S *	5/2002	Mahabir et al.	D2/839
6,427,242	B1 *	8/2002	Bush et al.	2/69
2006/0096002	A1 *	5/2006	Lin	2/87

* cited by examiner

Primary Examiner—Ian Simmons

Assistant Examiner—R. Johnson

(74) *Attorney, Agent, or Firm*—Vernon R. Yancy, Esq.

(57) **CLAIM**

The new ornamental design for jacket, as shown and described.

DESCRIPTION

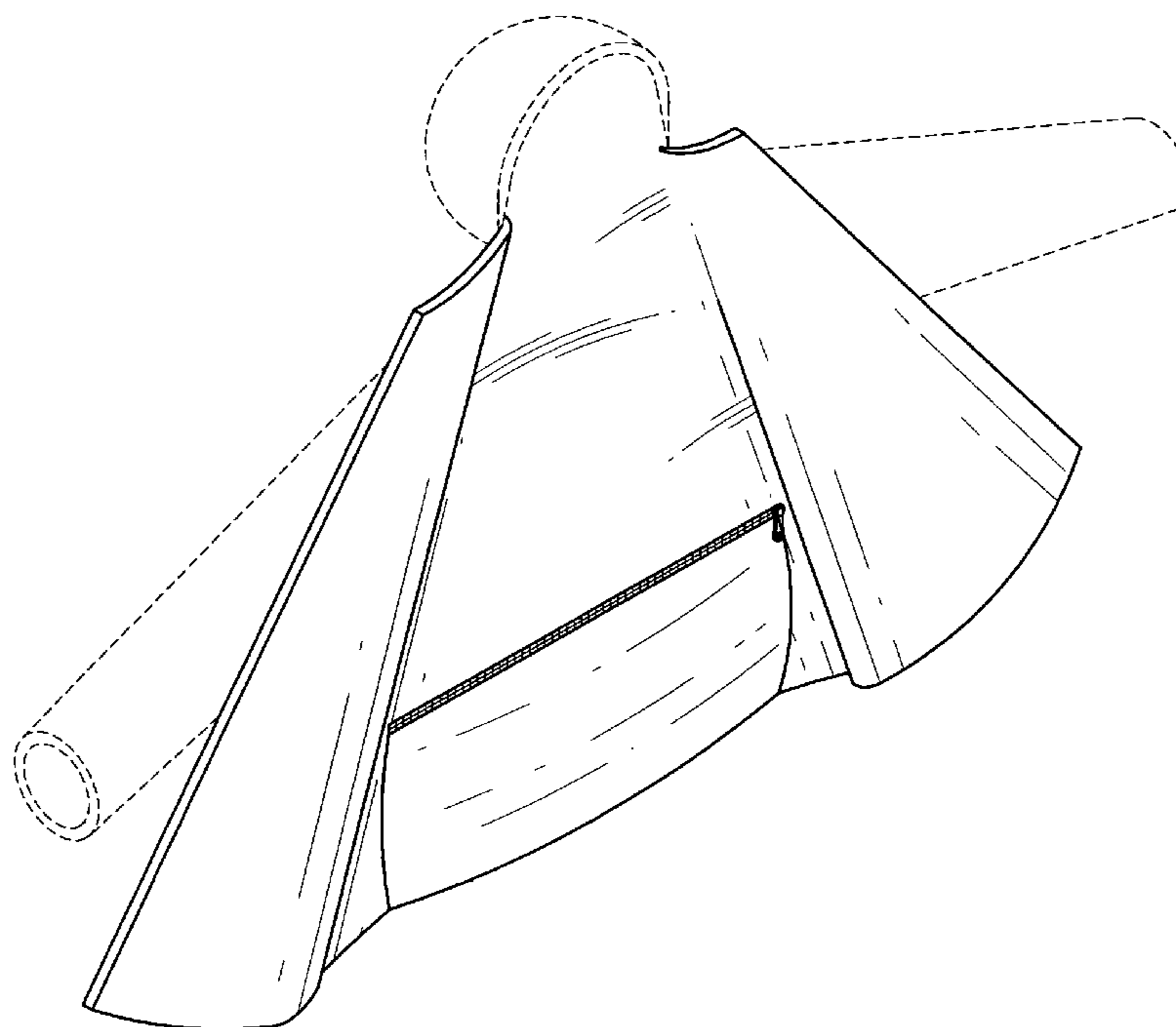
FIG. 1 is a front perspective view of a jacket showing my new design; and,

FIG. 2 is another front perspective view thereof, showing pants within the opened pocket.

The broken lines are for illustrative purposes only and form no part of the claimed design.

The jacket of the present invention is characterized by a standard jacket having an inner pocket enclosing all-weather pants.

1 Claim, 2 Drawing Sheets



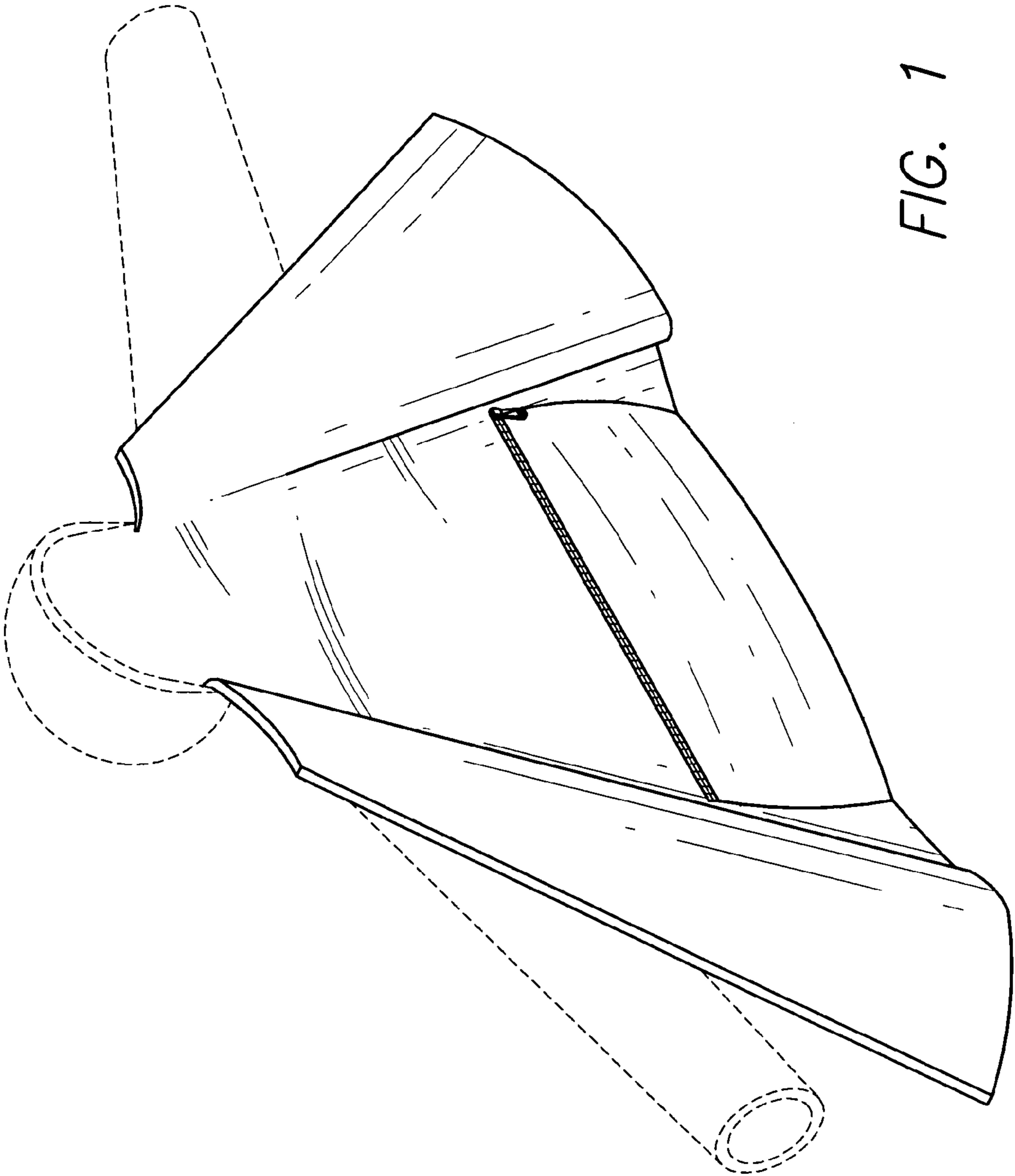


FIG. 1

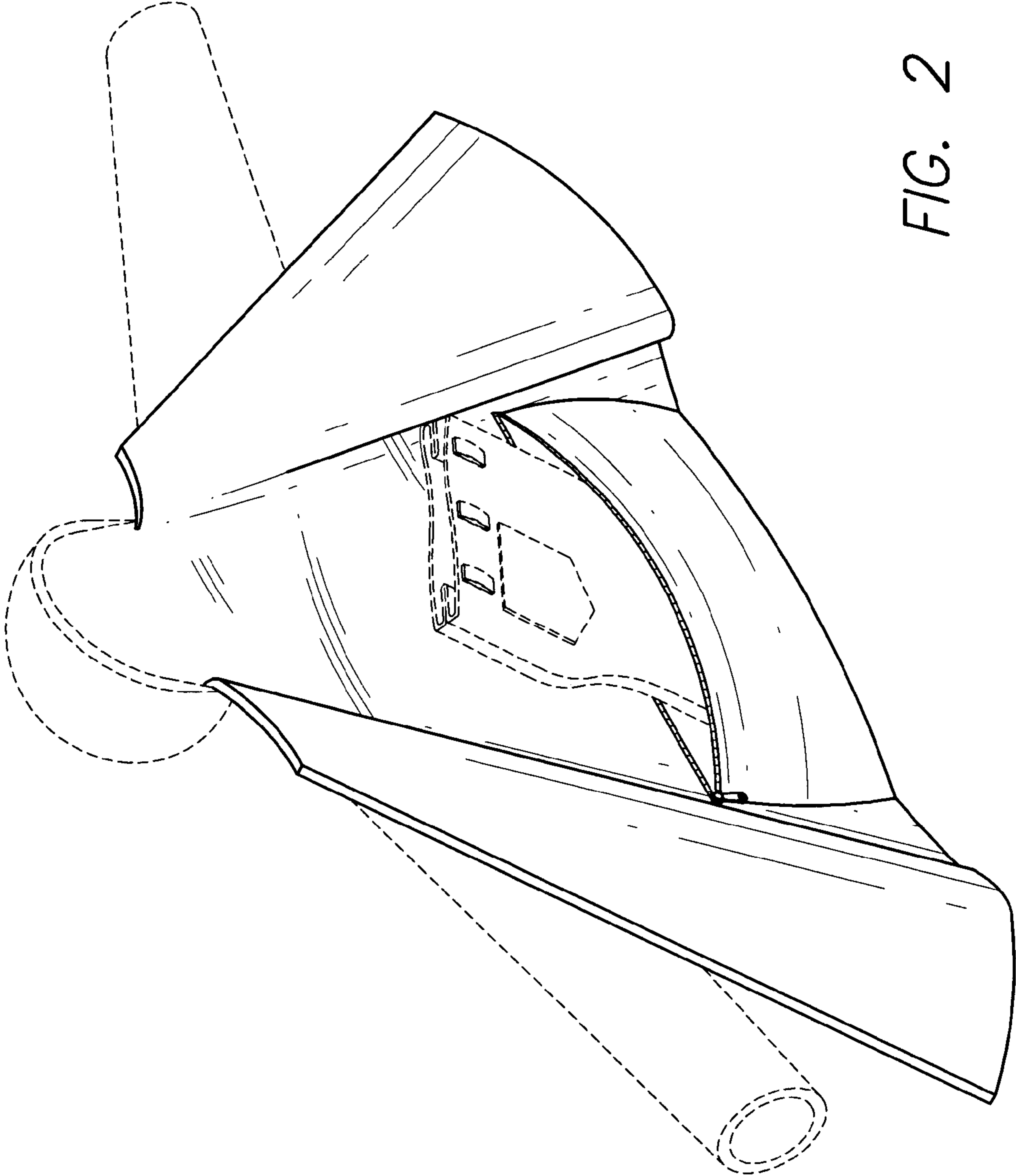


FIG. 2