



US00D566925S

(12) **United States Design Patent**
Wu

(10) **Patent No.:** **US D566,925 S**

(45) **Date of Patent:** **** Apr. 15, 2008**

(54) **PUSHCART**

D410,577 S * 6/1999 Ciphers, Sr. D34/17
6,860,493 B2 * 3/2005 Orozco 280/33.991
6,877,764 B2 * 4/2005 Sagol 280/655.1

(75) Inventor: **Chang-Yao Wu**, Taipei (TW)

(73) Assignee: **Test Rite International Company, Ltd.**, Taipei (TW)

(**) Term: **14 Years**

(21) Appl. No.: **29/277,948**

(22) Filed: **Mar. 14, 2007**

(30) **Foreign Application Priority Data**

Feb. 1, 2007 (TW) 96300623

(51) **LOC (8) Cl.** **12-02**

(52) **U.S. Cl.** **D34/17; D34/12**

(58) **Field of Classification Search** D34/12-27;
280/47.2, 47.18, 47.27, 47.24, 47.34, 651,
280/33.996, 33.991, 33.994

See application file for complete search history.

(56) **References Cited**

U.S. PATENT DOCUMENTS

D219,649 S * 1/1971 Salcman et al. D34/17
D396,918 S * 8/1998 Golichowski et al. D34/12
D404,871 S * 1/1999 Golichowski et al. D34/17

* cited by examiner

Primary Examiner—Cynthia E Ramirez

(74) *Attorney, Agent, or Firm*—Venable LLP; Raymond J. Ho

(57) **CLAIM**

I claim the ornamental design for a pushcart, as shown and described.

DESCRIPTION

FIG. 1 shows a perspective view of a pushcart showing my design;

FIG. 2 is a front elevational view thereof;

FIG. 3 is a rear elevational view thereof;

FIG. 4 is a left side view thereof;

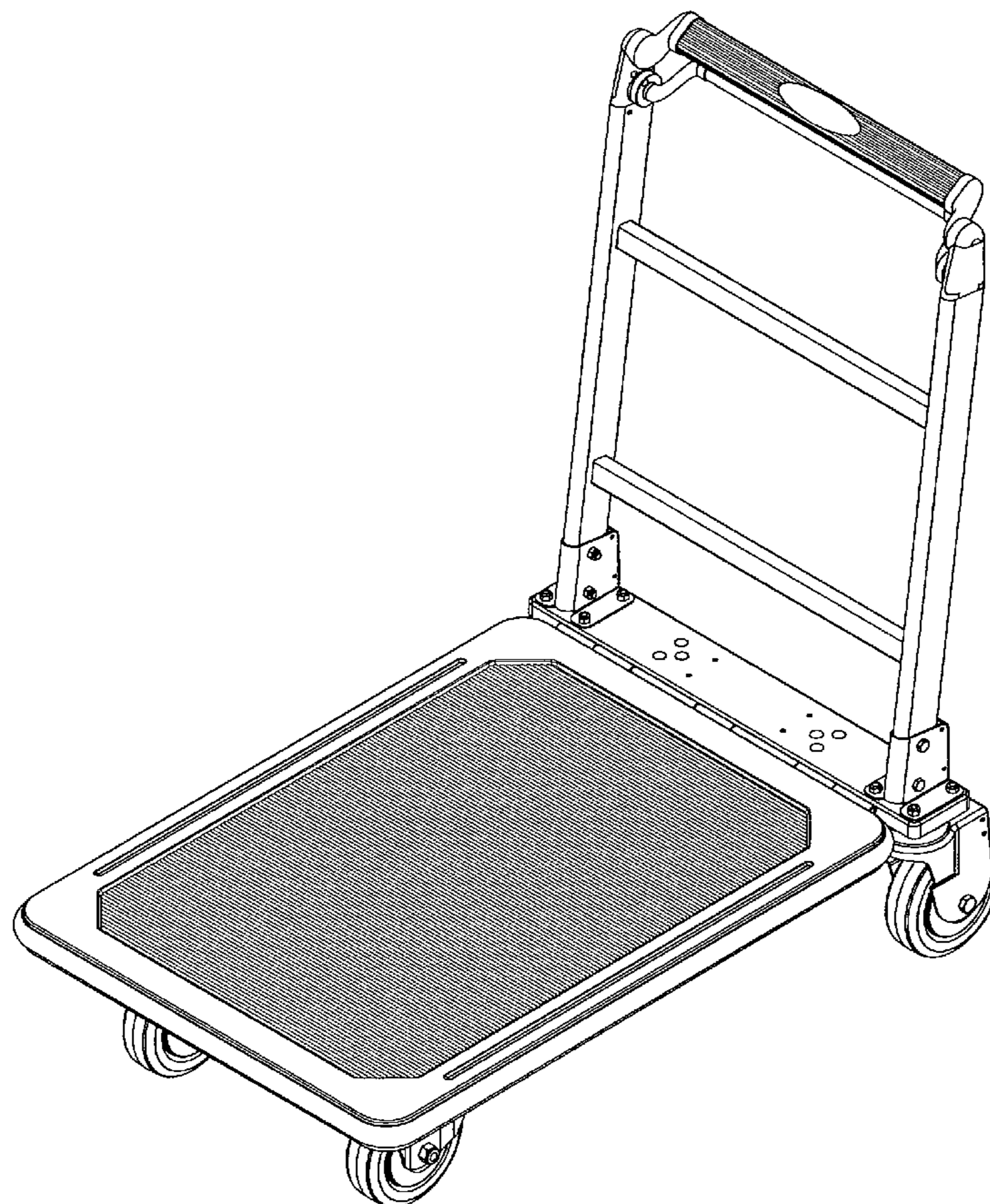
FIG. 5 is a right side view thereof;

FIG. 6 is a top plan view thereof;

FIG. 7 is a bottom plan view thereof; and,

FIG. 8 is a perspective view of the pushcart at a folded state.

1 Claim, 8 Drawing Sheets



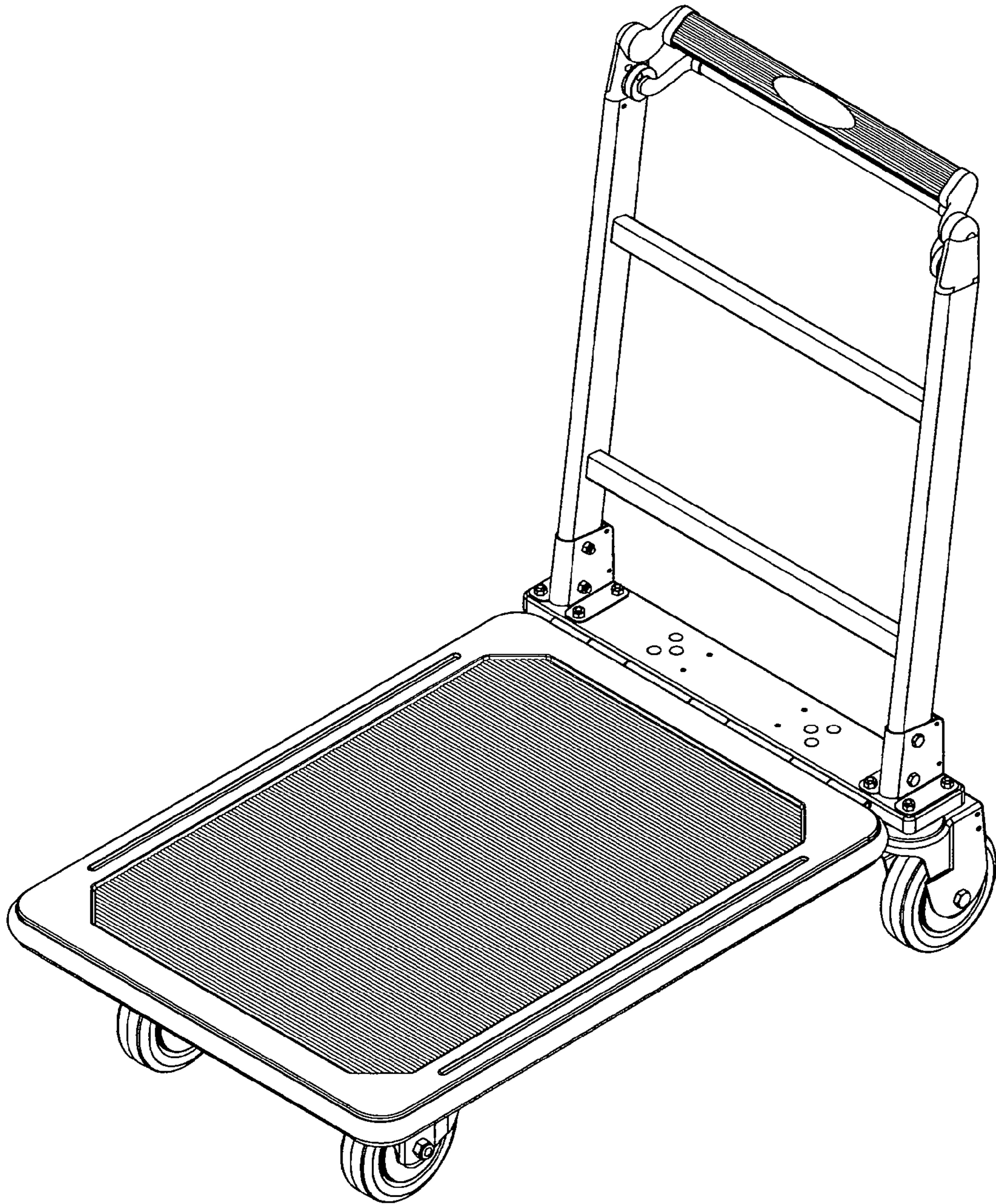


Fig. 1

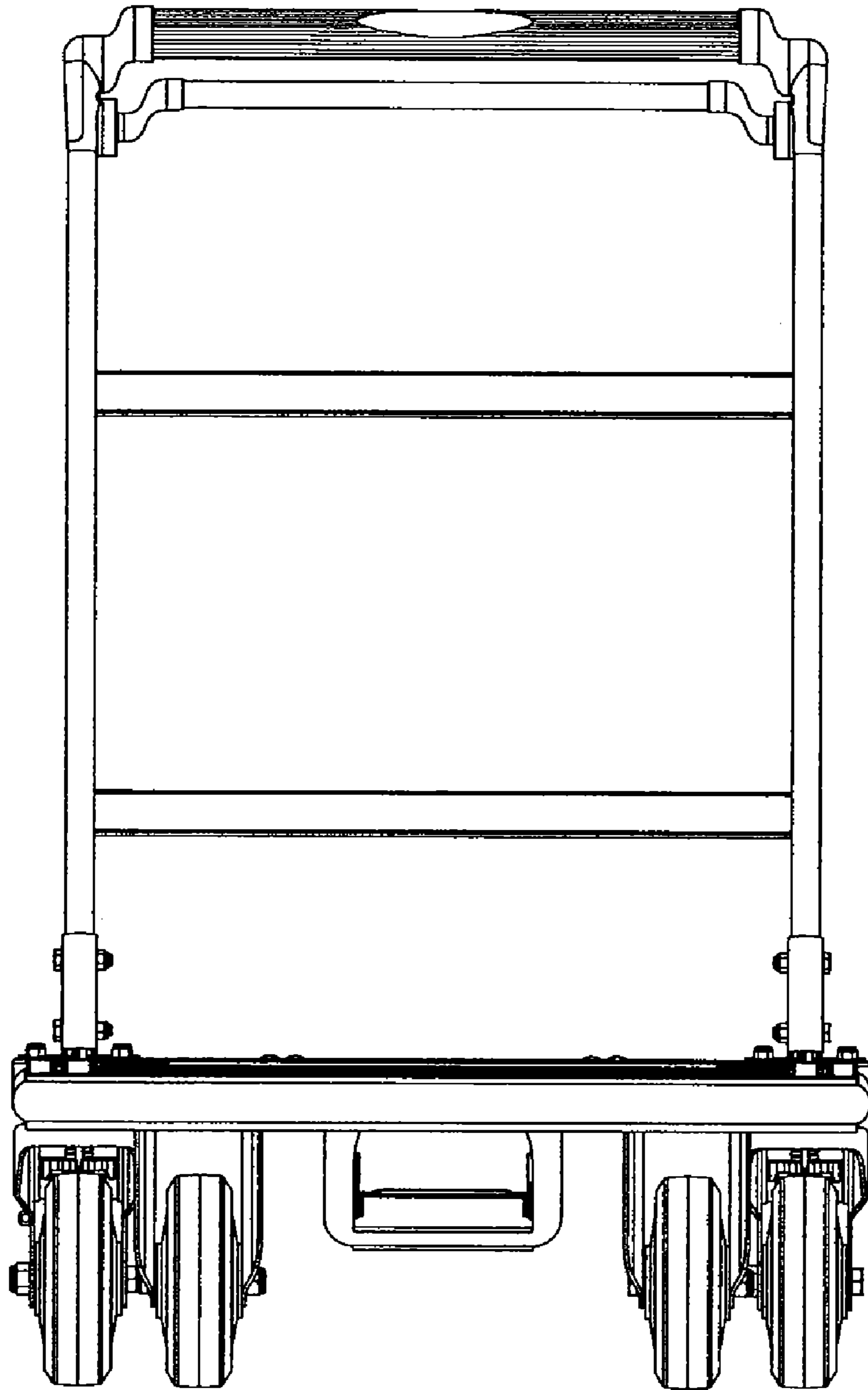


Fig. 2

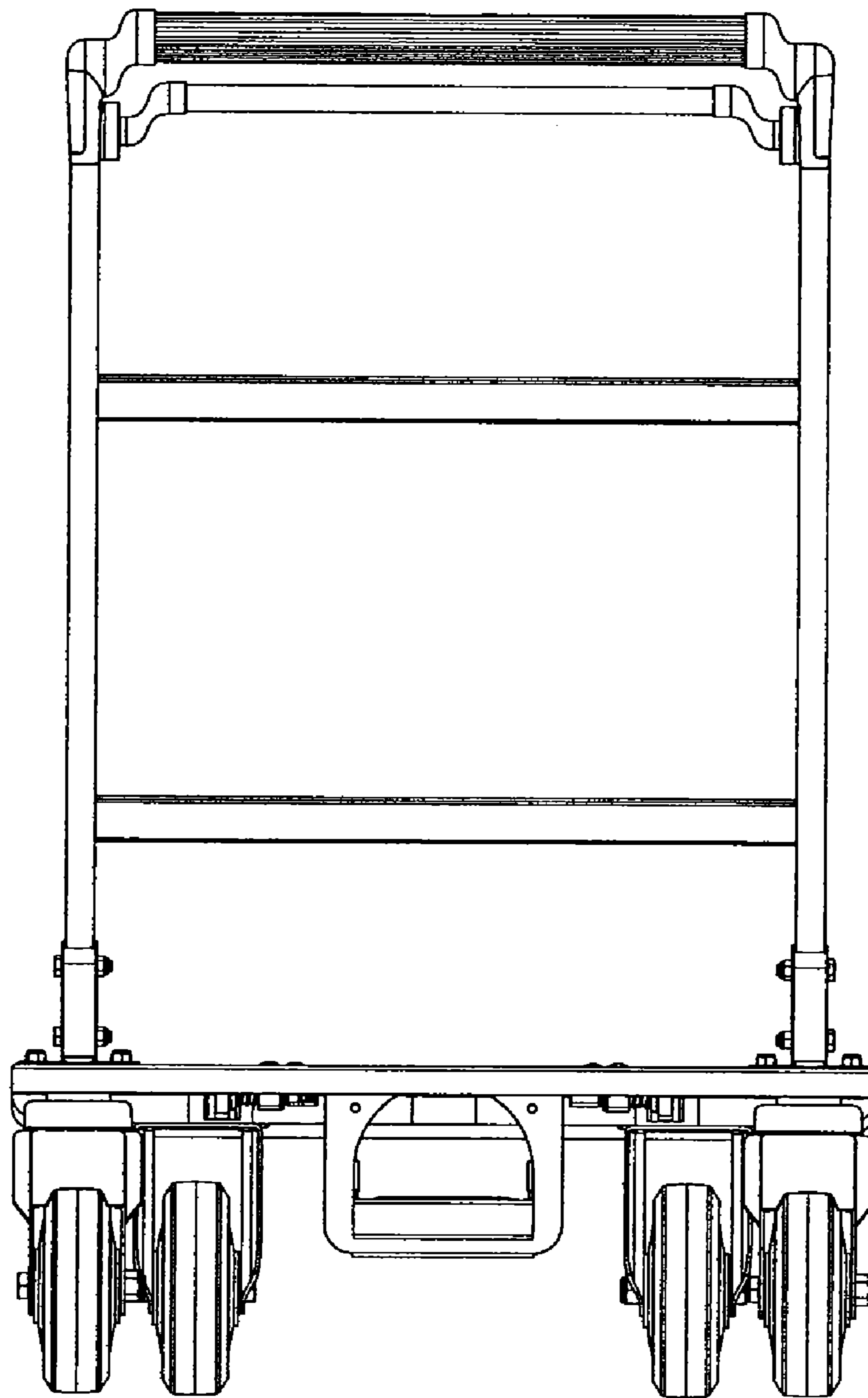


Fig. 3

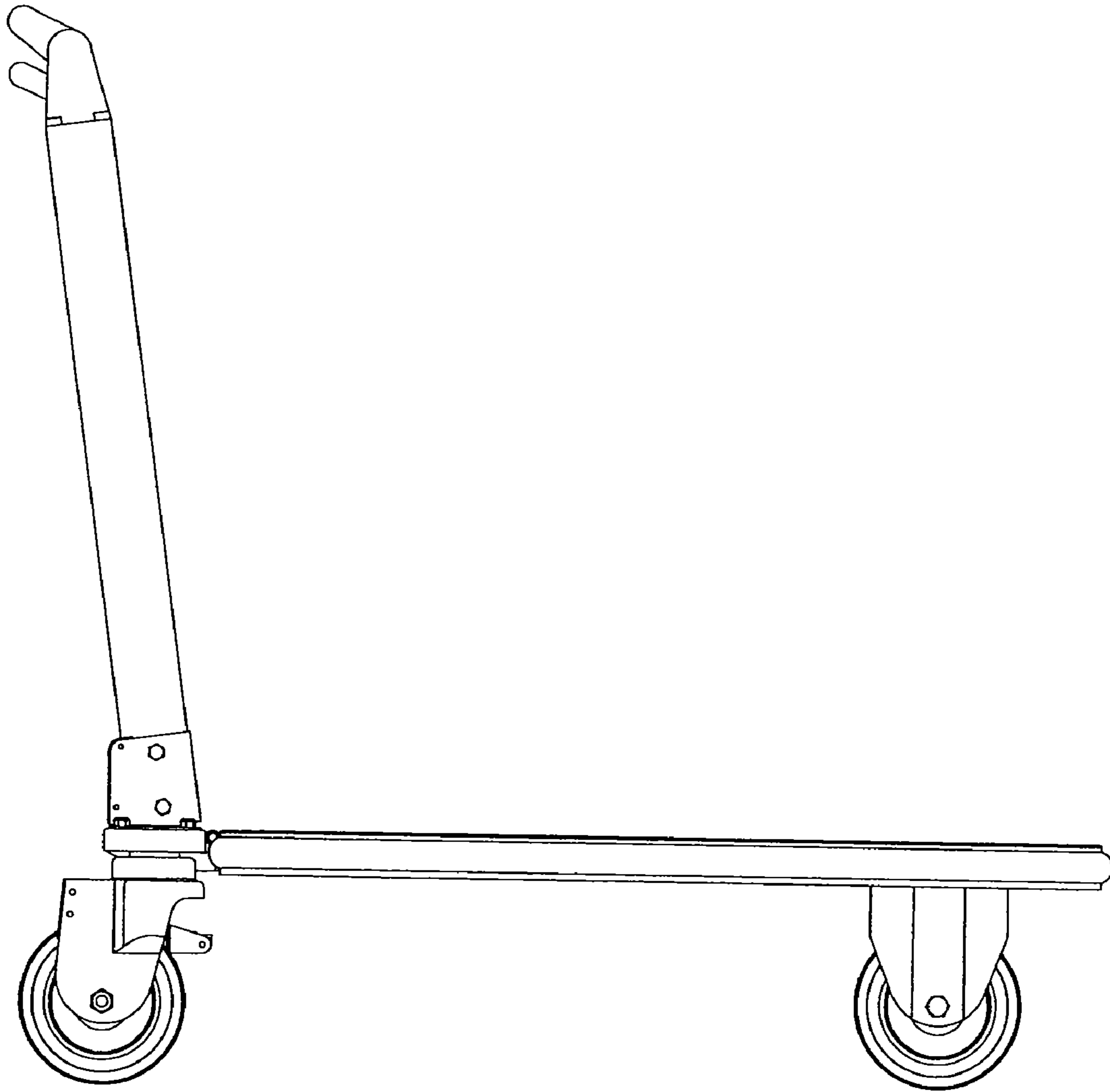


Fig. 4

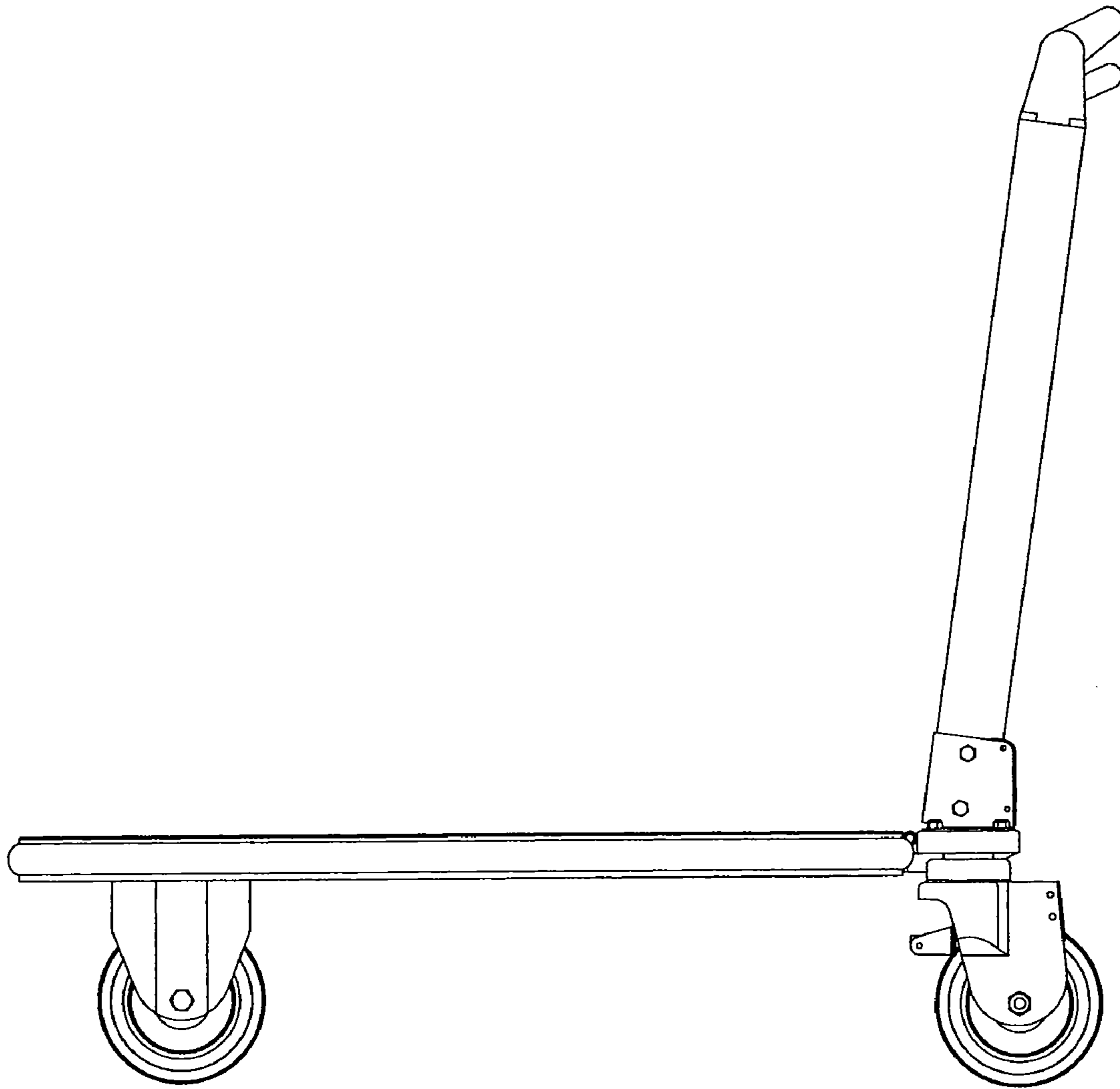


Fig. 5

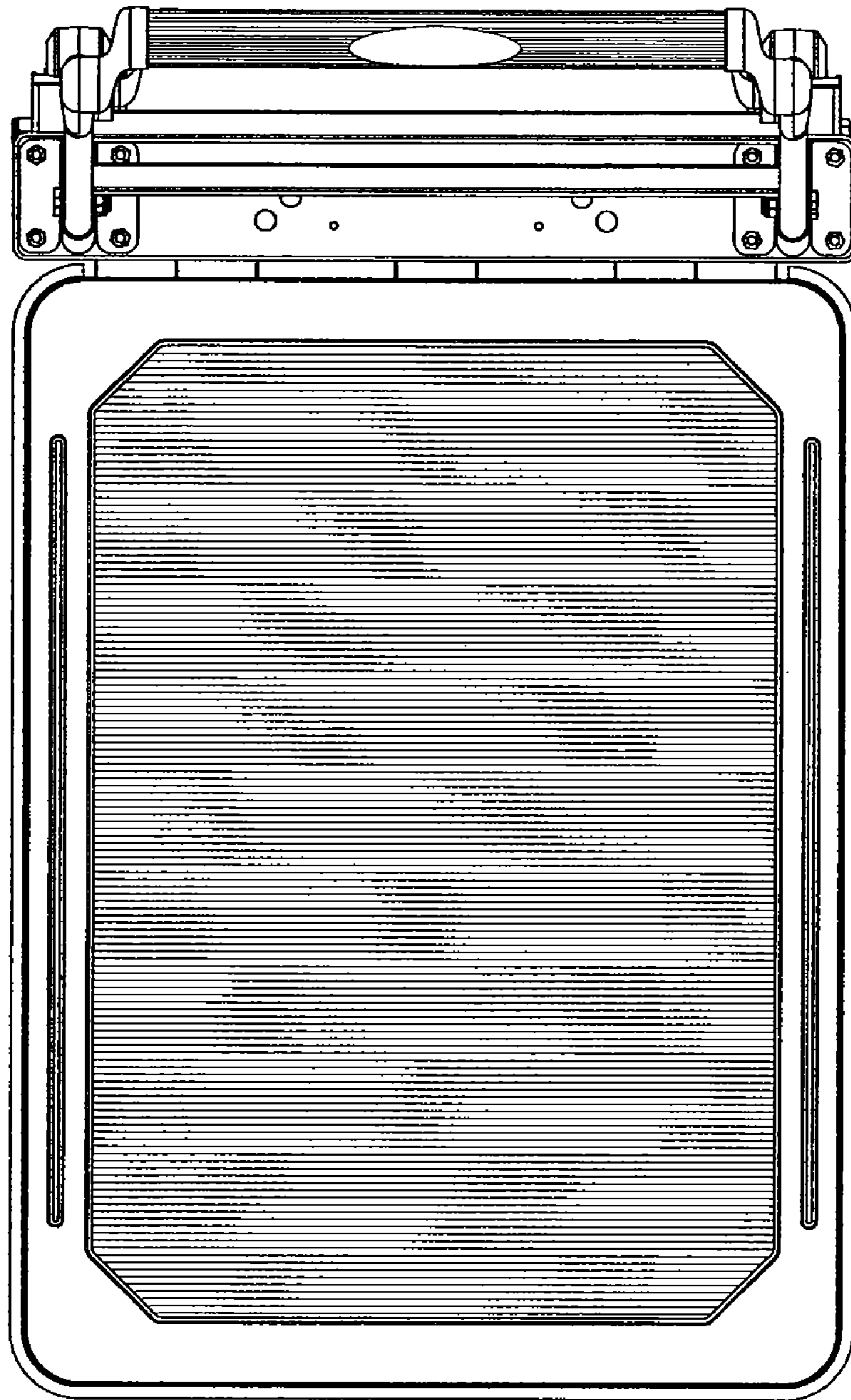


Fig. 6

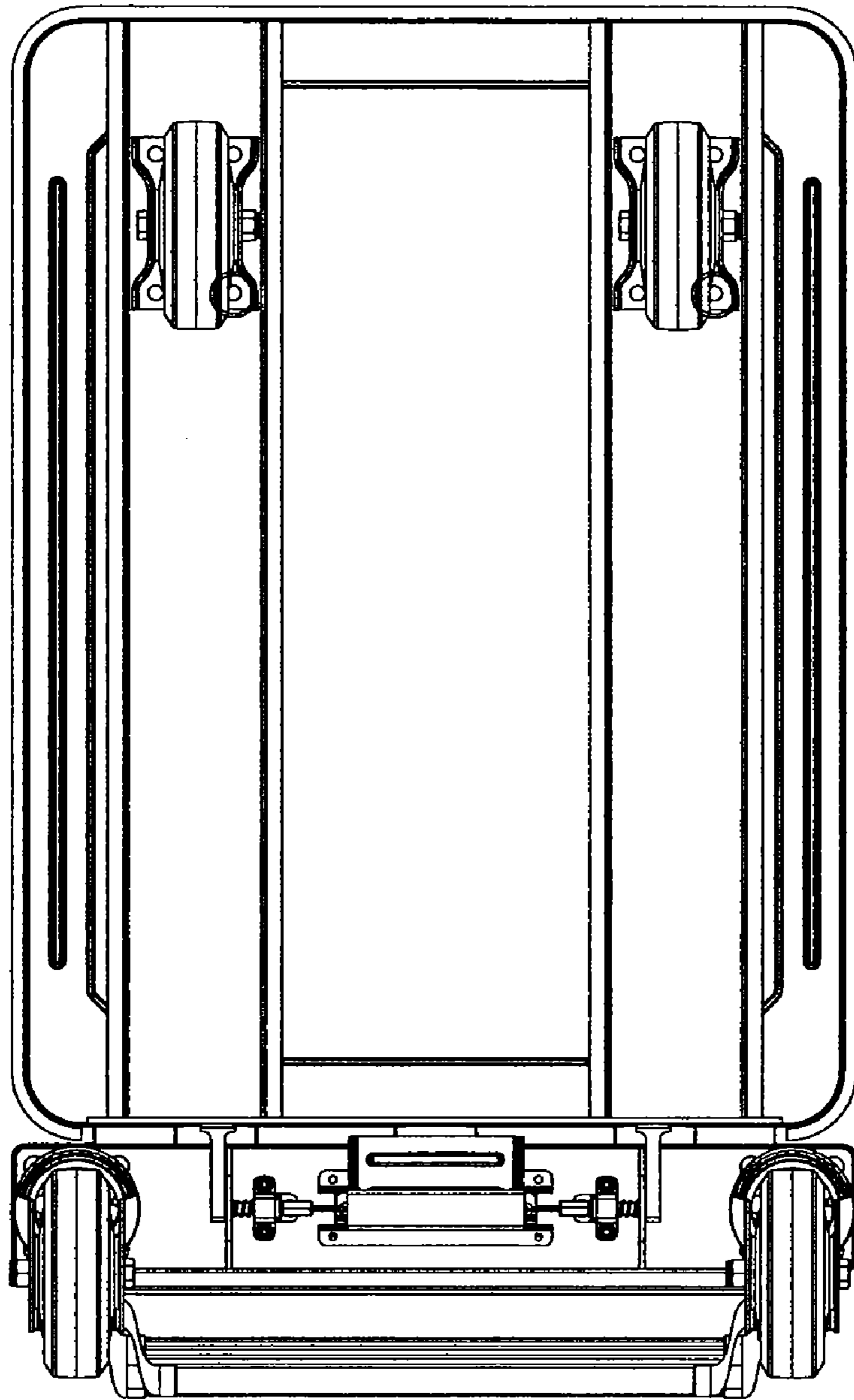


Fig. 7

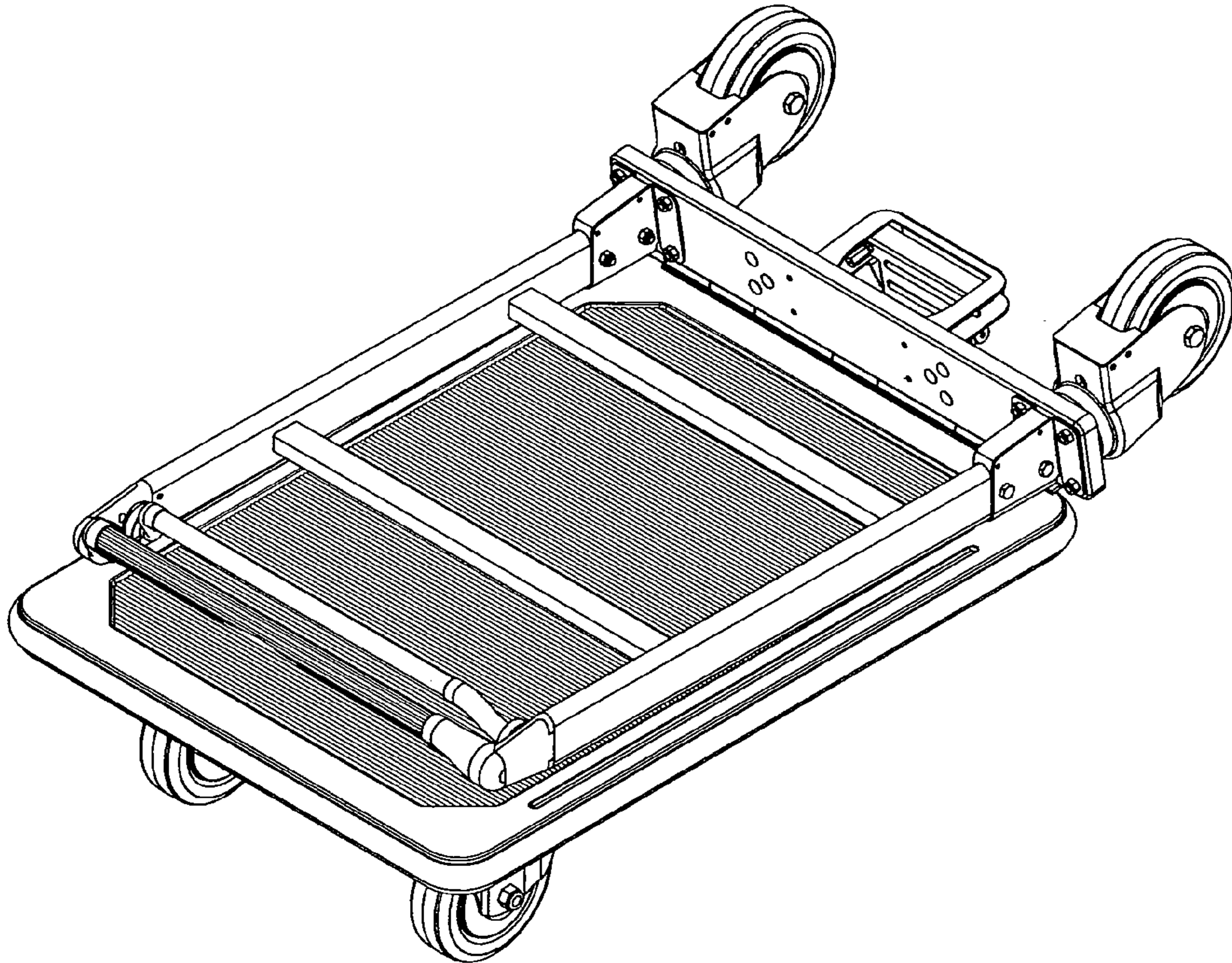


Fig. 8