

US00D566922S

(12) **United States Design Patent**
Lee

(10) **Patent No.:** **US D566,922 S**

(45) **Date of Patent:** **** Apr. 15, 2008**

(54) **GARBAGE DISPOSAL**

(75) Inventor: **Hee Ja Lee**, Seoul (KR)

(73) Assignee: **Loofenlee Co., Ltd.**, Seoul (KR)

(**) Term: **14 Years**

(21) Appl. No.: **29/278,423**

(22) Filed: **Mar. 29, 2007**

(30) **Foreign Application Priority Data**

Sep. 29, 2006 (KR) 30-2006-0040027

(51) **LOC (8) Cl.** **09-09**

(52) **U.S. Cl.** **D34/7**

(58) **Field of Classification Search** D34/1,
D34/5, 6, 7, 8, 9, 10, 11; 220/908-913, 262-264
See application file for complete search history.

(56) **References Cited**

U.S. PATENT DOCUMENTS

- 4,697,771 A * 10/1987 Majors 248/97
- D307,344 S * 4/1990 Massonnet D34/7
- D488,902 S * 4/2004 Yang et al. D34/8

- D537,223 S * 2/2007 Lin D34/7
- D551,415 S * 9/2007 Memari et al. D34/7
- D552,321 S * 10/2007 Yang et al. D34/9
- D555,320 S * 11/2007 Yang et al. D34/9

* cited by examiner

Primary Examiner—Cynthia E Ramirez

(74) *Attorney, Agent, or Firm*—Darby & Darby P.C.

(57) **CLAIM**

The ornamental design for a garbage disposal, as shown and described.

DESCRIPTION

FIG. 1 is a perspective view of garbage disposal showing the new design:

FIG. 2 is a front view thereof;

FIG. 3 is a rear view thereof;

FIG. 4 is a left view thereof;

FIG. 5 is a right view thereof;

FIG. 6 is a top view thereof; and,

FIG. 7 is a bottom view thereof.

1 Claim, 6 Drawing Sheets

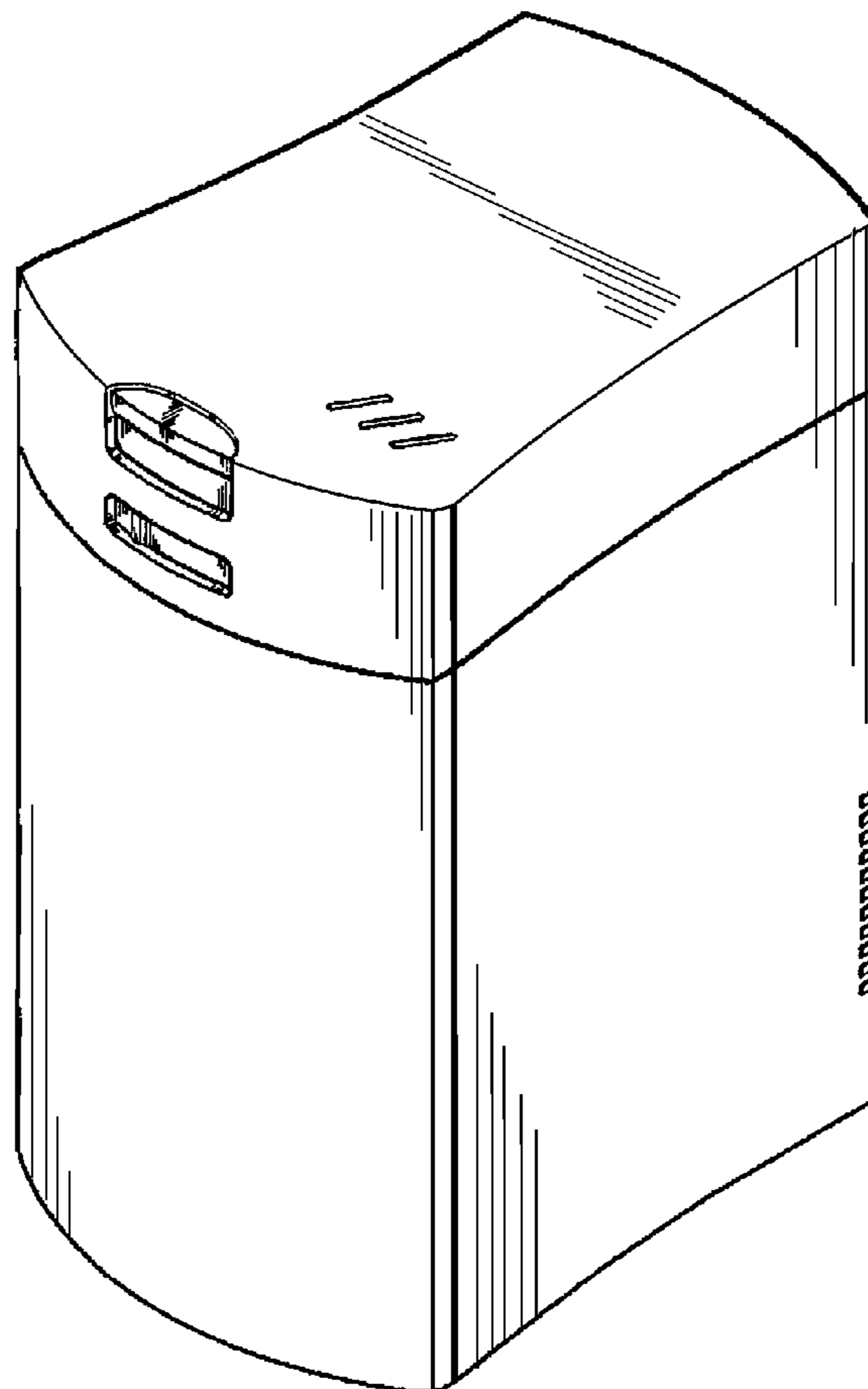


FIG. 1

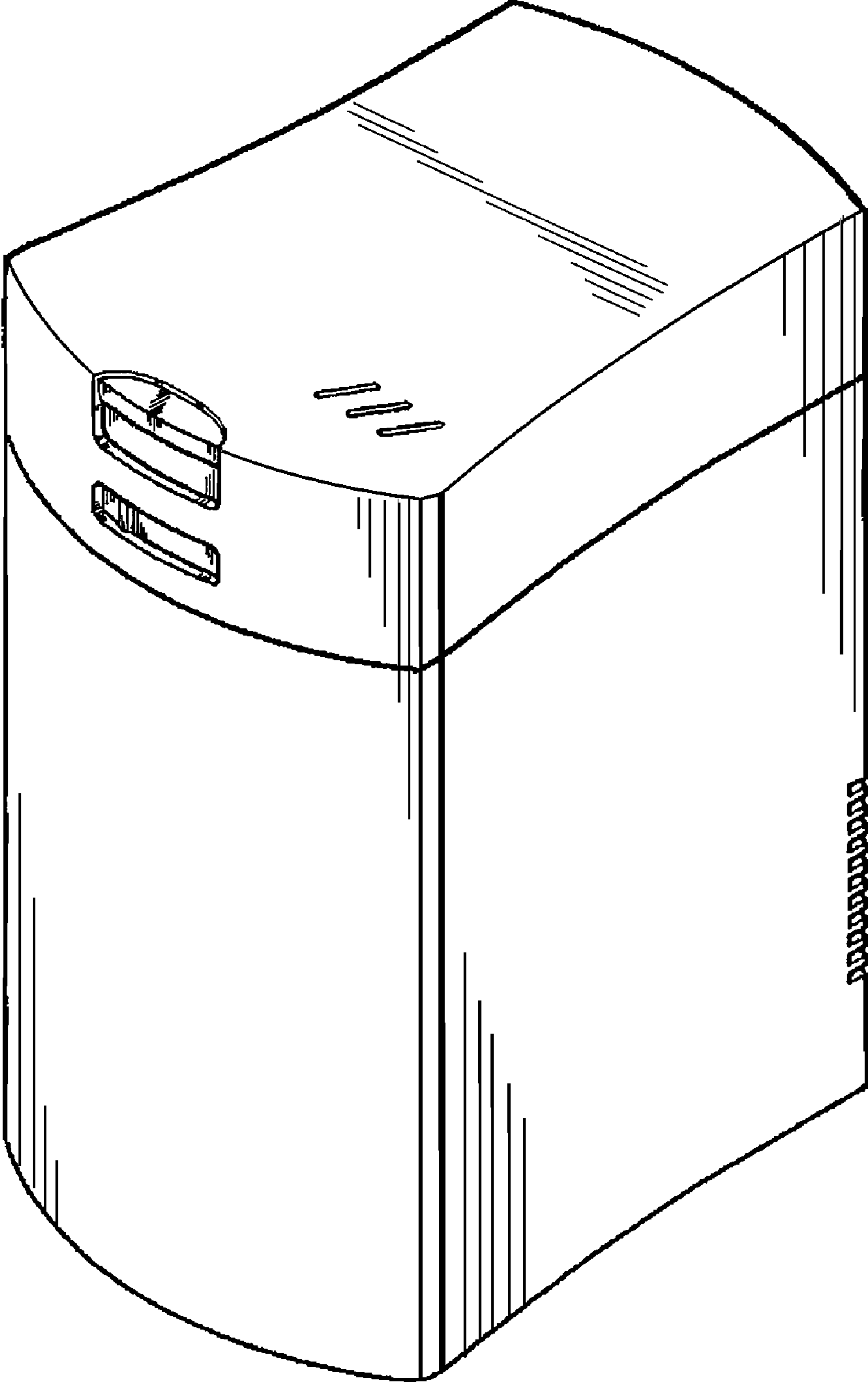


FIG. 2

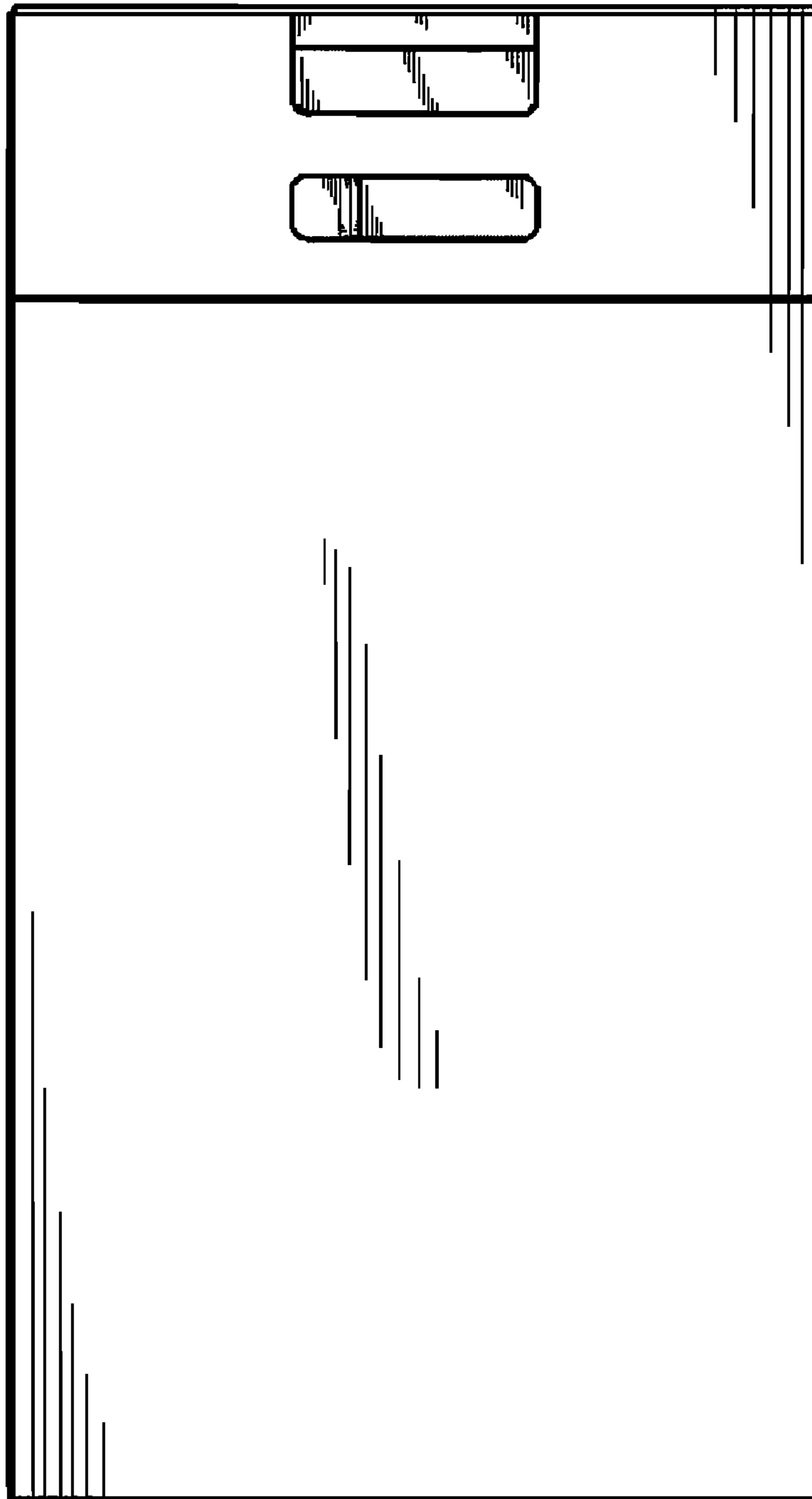


FIG. 3

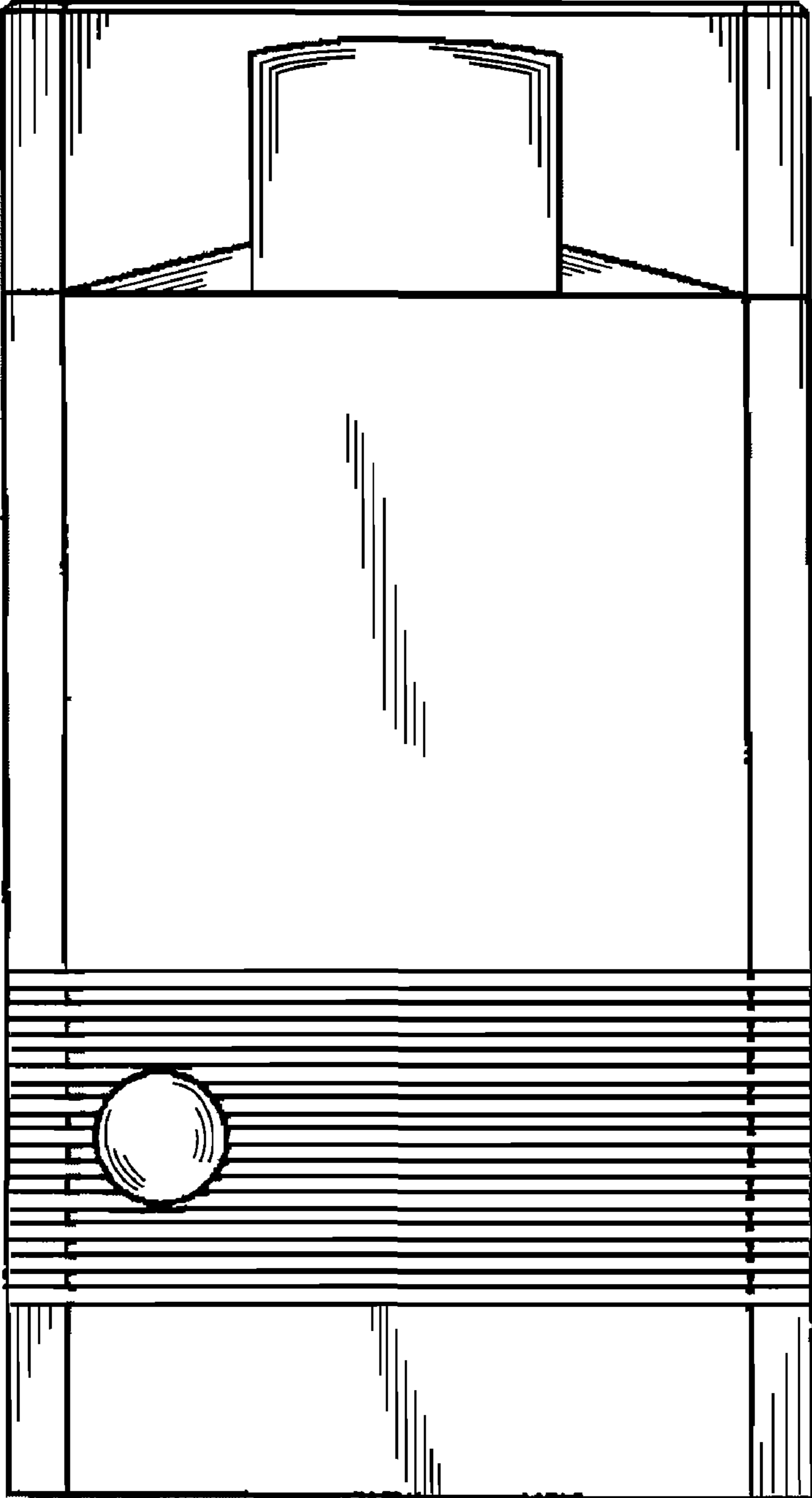


FIG. 4



FIG. 5

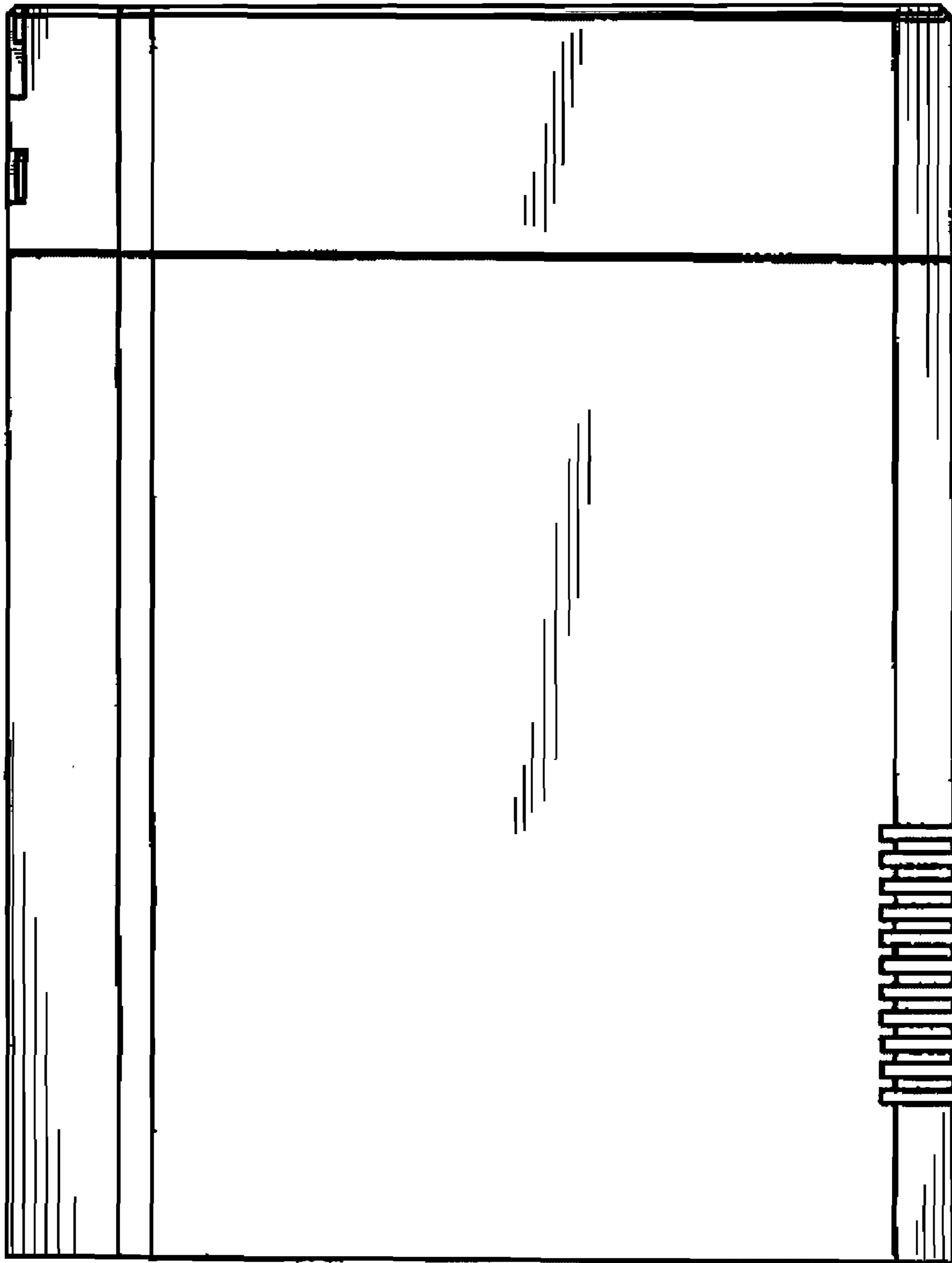


FIG. 6

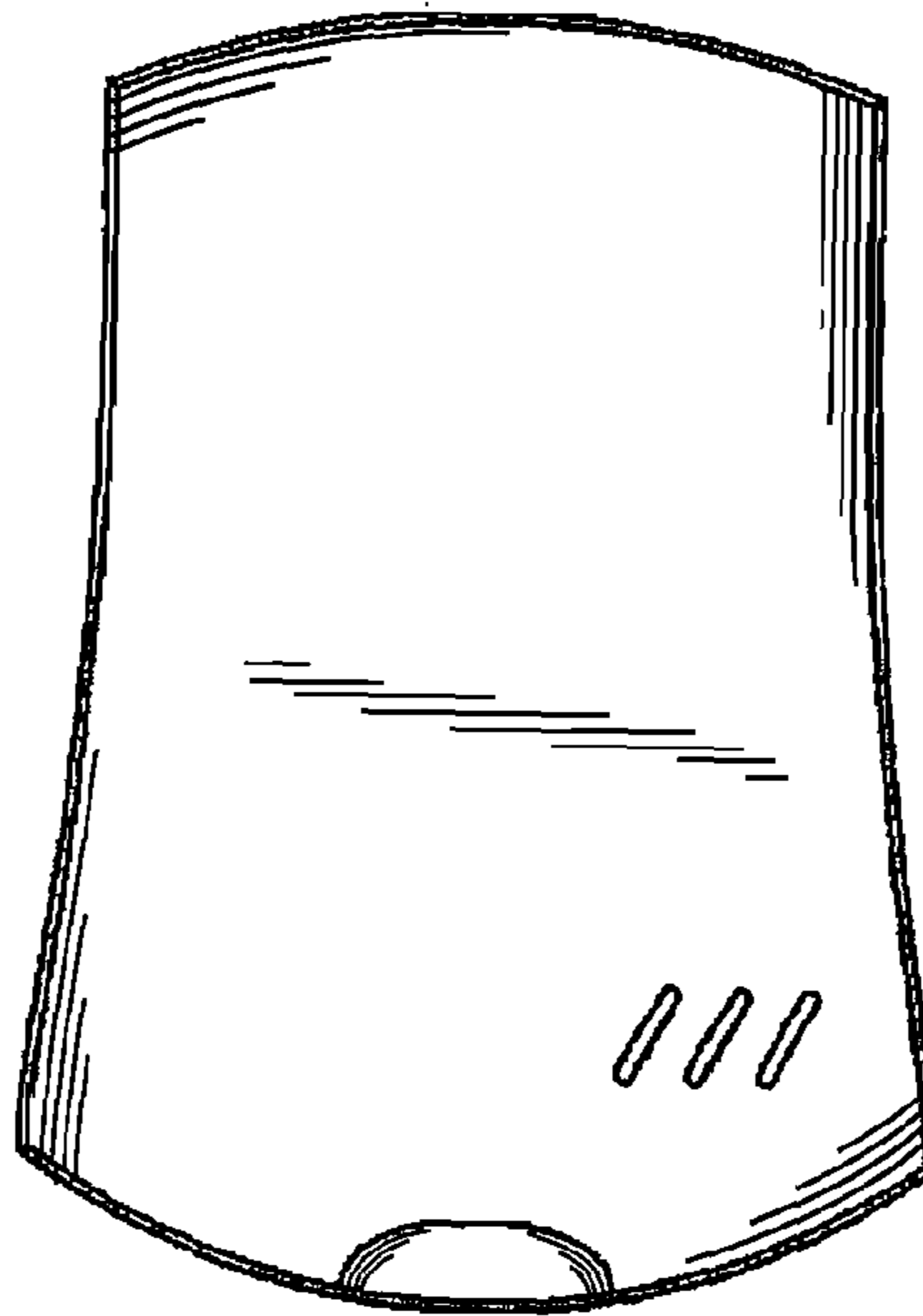


FIG. 7

