



US00D566921S

(12) **United States Design Patent**
Skalka

(10) **Patent No.:** **US D566,921 S**

(45) **Date of Patent:** **** Apr. 15, 2008**

(54) **RECYCLING BIN**

(75) Inventor: **Gerald P. Skalka**, Potomac, MD (US)

(73) Assignee: **Victor Stanley Inc.**, Potomac, MD (US)

(**) Term: **14 Years**

(21) Appl. No.: **29/287,018**

(22) Filed: **Jun. 19, 2007**

D390,265 S	2/1998	Cheris et al.
5,967,355 A	10/1999	Ragot
D428,229 S	7/2000	Olivetti
6,193,091 B1	2/2001	Olivetti
D441,934 S	5/2001	Leess
D458,049 S	6/2002	Prins et al.
D461,649 S	8/2002	Prins et al.
D492,827 S	7/2004	Amato et al.
D493,591 S	7/2004	Skalka
D507,089 S	7/2005	Enayati et al.
D536,853 S	2/2007	Presnell
D537,222 S	2/2007	Presnell
D543,331 S	5/2007	Jackson et al.

Related U.S. Application Data

(60) Division of application No. 29/259,109, filed on May 3, 2006, which is a continuation-in-part of application No. 29/253,823, filed on Feb. 14, 2006, now Pat. No. Des. 549,916.

(51) **LOC (8) Cl.** **09-09**

(52) **U.S. Cl.** **D34/1**

(58) **Field of Classification Search** D34/1, D34/5, 6, 7, 8, 9, 10, 11; 220/908-913
See application file for complete search history.

(56) **References Cited**

U.S. PATENT DOCUMENTS

1,203,056 A	10/1916	Schilling
3,394,832 A	7/1968	McAllister et al.
D229,279 S	11/1973	Kay
3,793,756 A	2/1974	Kay et al.
3,803,738 A	4/1974	Weiss
4,335,828 A	6/1982	Robinson et al.
D327,152 S	6/1992	Rose et al.
D327,756 S	7/1992	Klein et al.
5,183,175 A	2/1993	Brown
D335,730 S	5/1993	Tessner et al.
5,218,782 A	6/1993	Null et al.
D344,381 S	2/1994	Martin et al.
D349,380 S	8/1994	Maturino
D349,381 S	8/1994	Fennell
D356,419 S	3/1995	Kamm
D381,156 S	7/1997	Kent
D381,157 S	7/1997	Kane
D389,631 S	1/1998	Peters

Primary Examiner—Cynthia E Ramirez

(74) *Attorney, Agent, or Firm*—Jacobson Holman PLLC

(57) **CLAIM**

The ornamental design for a recycling bin, as shown and described.

DESCRIPTION

FIG. 1 is a front perspective view showing a first embodiment of my design for a recycling bin, showing the left side door open.

FIG. 2 is a rear perspective view of the recycling bin of FIG. 1, showing the left side door open and the right side door closed.

FIG. 3 is a front elevational view of the recycling bin of FIG. 1, the rear elevational view being a mirror image thereof.

FIG. 4 is a top plan view of the recycling bin of FIG. 1.

FIG. 5 is a bottom plan view of the recycling bin of FIG. 1.

FIG. 6 is a right side elevational view of the recycling bin of FIG. 1.

FIG. 7 is a left side elevational view of the recycling bin of FIG. 1.

FIG. 8 is a front perspective view showing a second embodiment of my design for a recycling bin, showing the left side door open.

FIG. 9 is a rear perspective view of the recycling bin of FIG. 8, showing the left side door open and the right side door closed.

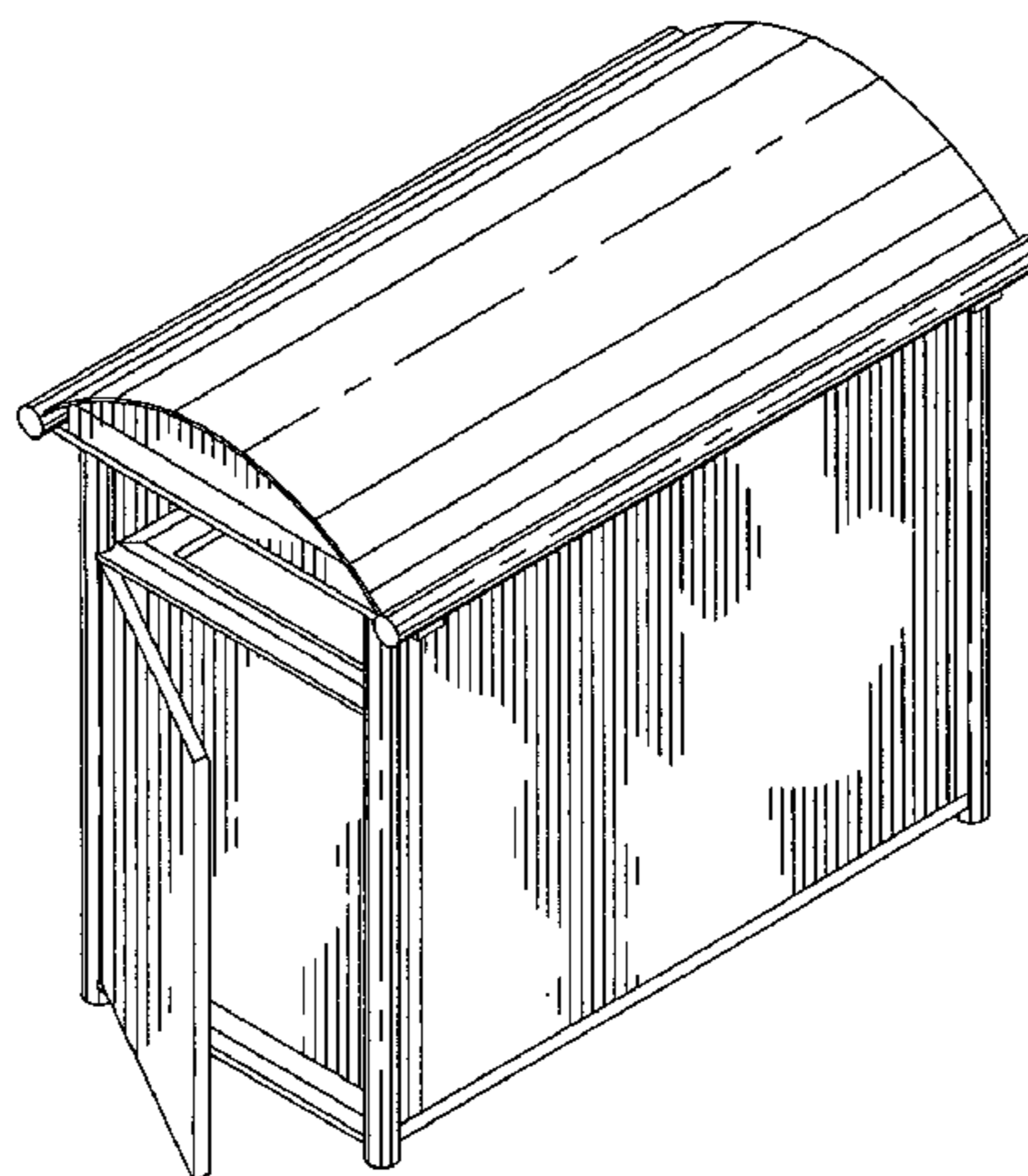


FIG. 10 is a front elevational view of the recycling bin of FIG. 8, the rear elevational view being a mirror image thereof.

FIG. 11 is a top plan view of the recycling bin of FIG. 8.

FIG. 12 is a bottom plan view of the recycling bin of FIG. 8.

FIG. 13 is a right side elevational view of the recycling bin of FIG. 8.

FIG. 14 is a left side elevational view of the recycling bin of FIG. 8.

FIG. 15 is a front perspective view showing a third embodiment of my design for a recycling bin, showing the left side door open.

FIG. 16 is a rear perspective view of the recycling bin of FIG. 15, showing the left side door open and the right side door closed.

FIG. 17 is a front elevational view of the recycling bin of FIG. 15, the rear elevational view being a mirror image thereof.

FIG. 18 is a top plan view of the recycling bin of FIG. 15.

FIG. 19 is a bottom plan view of the recycling bin of FIG. 15.

FIG. 20 is a right side elevational view of the recycling bin of FIG. 15.

FIG. 21 is a left side elevational view of the recycling bin of FIG. 15.

FIG. 22 is a front perspective view showing a fourth embodiment of my design for a recycling bin, showing the left side door open.

FIG. 23 is a rear perspective view of the recycling bin of FIG. 22, showing the left side door open and the right side door closed.

FIG. 24 is a front elevational view of the recycling bin of FIG. 22, the rear elevational view being a mirror image thereof.

FIG. 25 is a top plan view of the recycling bin of FIG. 22.

FIG. 26 is a bottom plan view of the recycling bin of FIG. 22.

FIG. 27 is a right side elevational view of the recycling bin of FIG. 22.

FIG. 28 is a left side elevational view of the recycling bin of FIG. 22.

FIG. 29 is a front perspective view showing a fifth embodiment of my design for a recycling bin, showing the left side door open.

FIG. 30 is a rear perspective view of the recycling bin of FIG. 29, showing the left side door open and the right side door closed.

FIG. 31 is a front elevational view of the recycling bin of FIG. 29, the rear elevational view being a mirror image thereof.

FIG. 32 is a top plan view of the recycling bin of FIG. 29.

FIG. 33 is a bottom plan view of the recycling bin of FIG. 29.

FIG. 34 is a right side elevational view of the recycling bin of FIG. 29; and,

FIG. 35 is a left side elevational view of the recycling bin of FIG. 29.

The recycling bins of FIGS. 8–14 are shown in the views with a portion broken-away to indicate indeterminate height.

The recycling bins of FIGS. 22–28 are shown in the views with a portion broken-away to indicate indeterminate width.

The recycling bins of FIGS. 29–35 are shown in the views with a portion broken-away to indicate indeterminate length and width.

The recycling bins of FIGS. 15–21 are shown in the views with a portion broken-away to indicate indeterminate length.

1 Claim, 15 Drawing Sheets

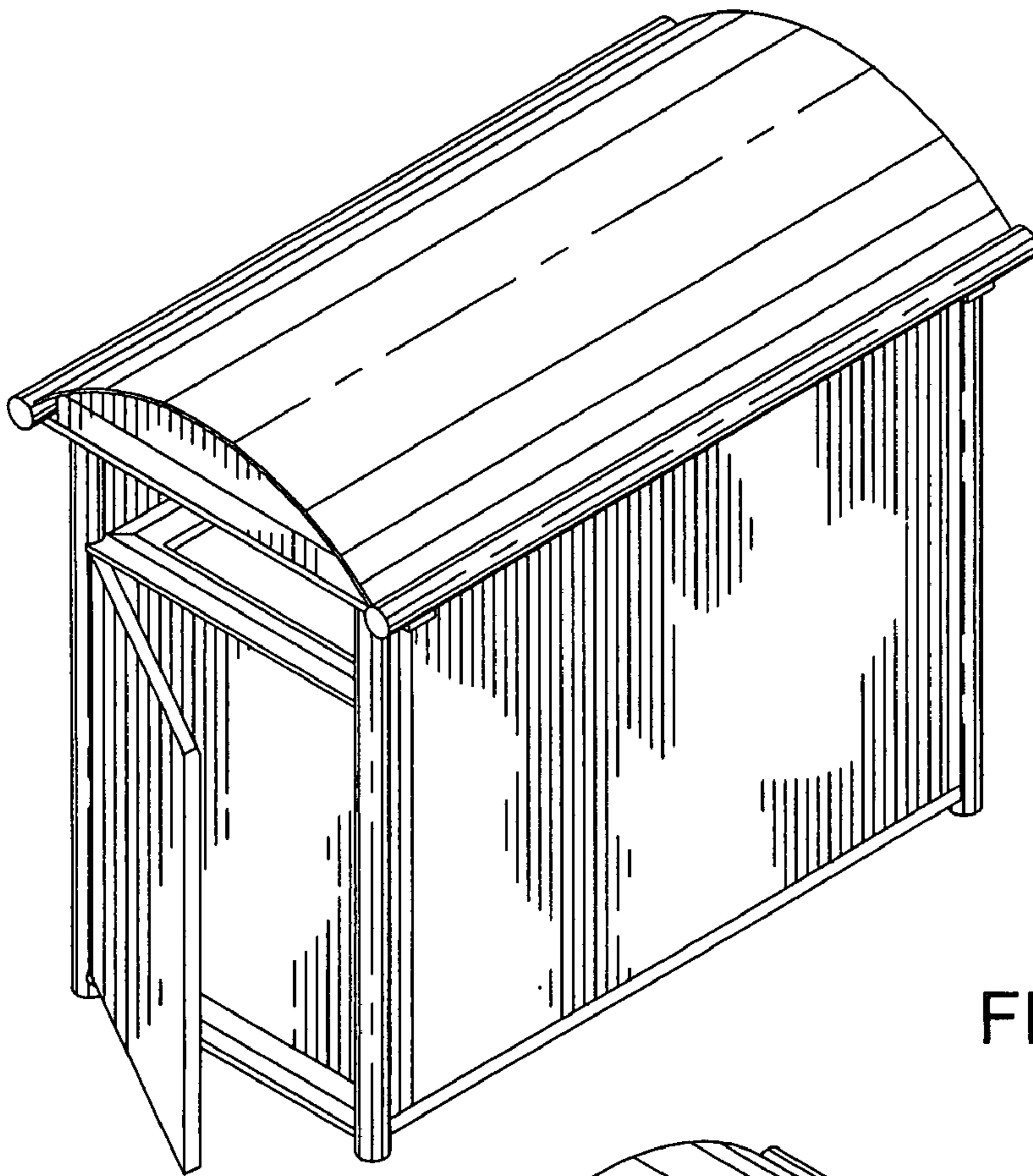


FIG. 1

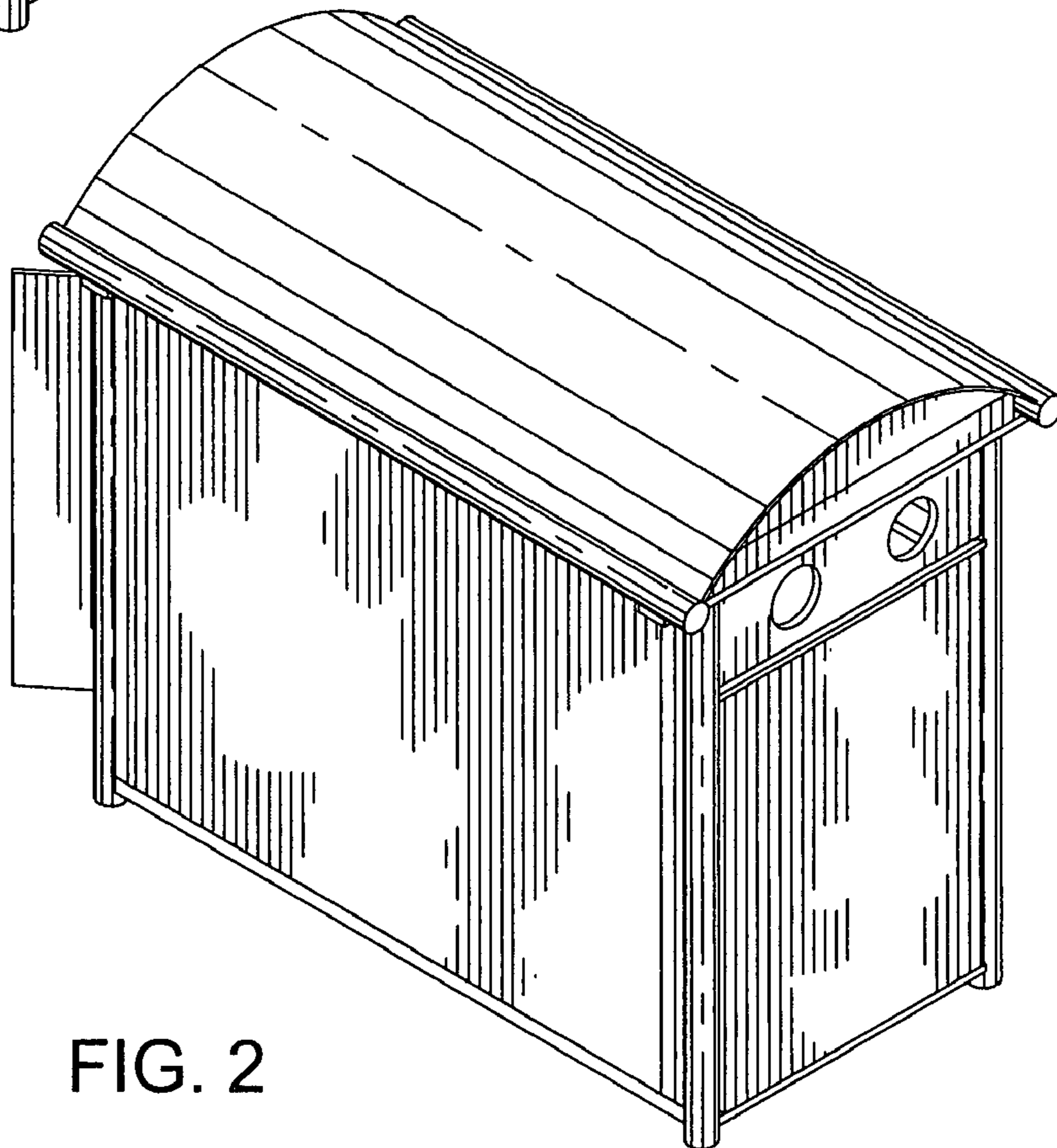


FIG. 2

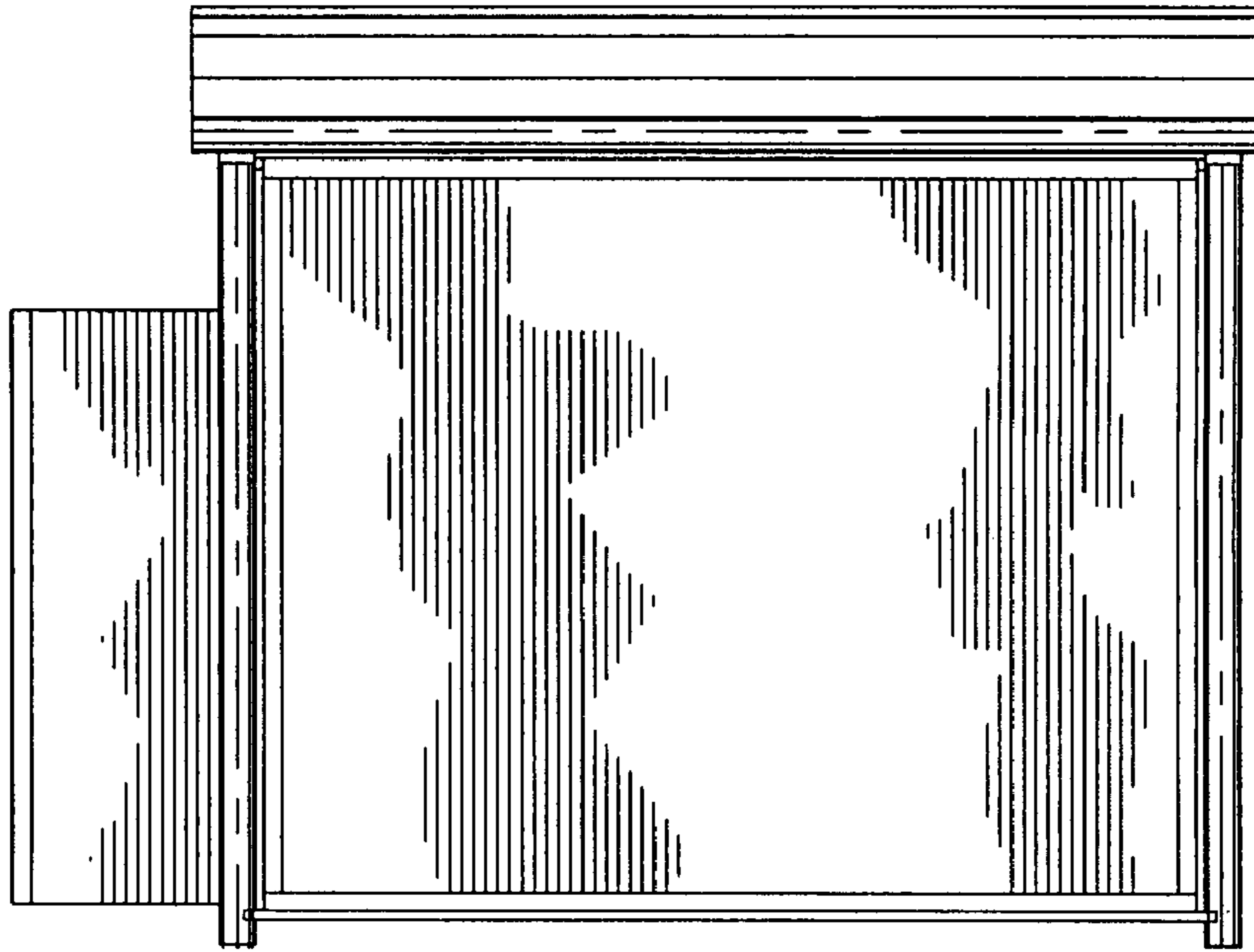


FIG. 3

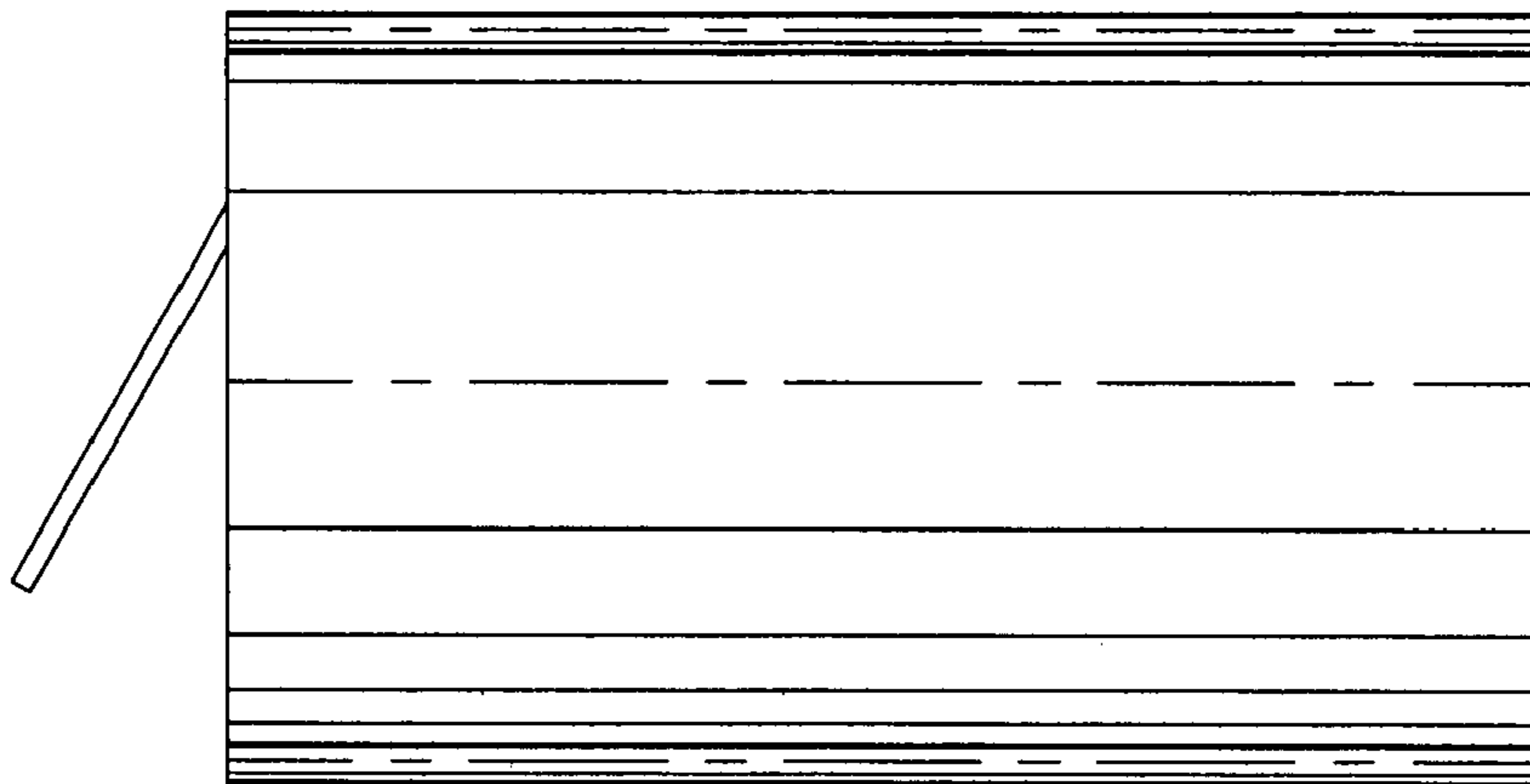


FIG. 4

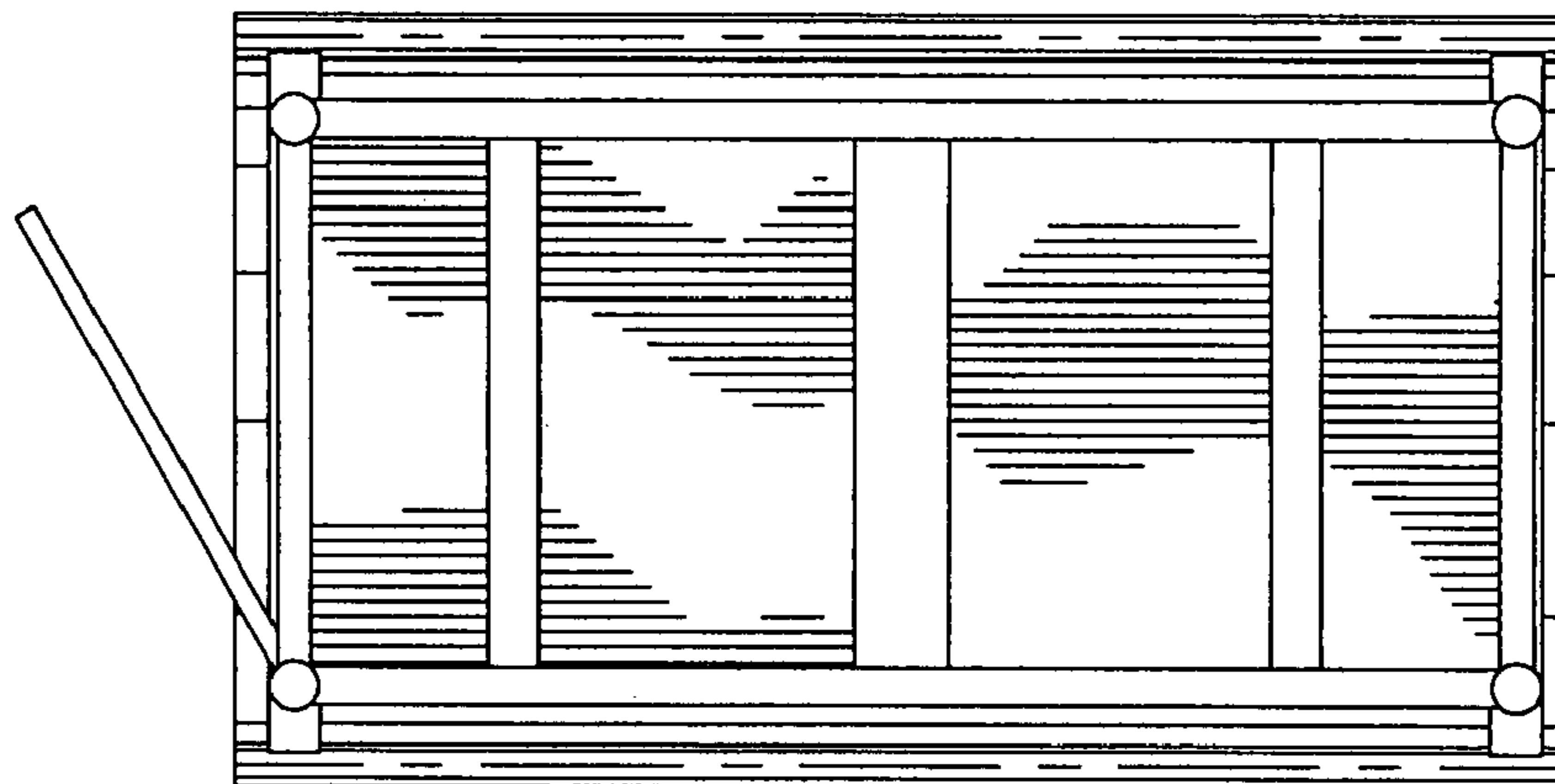


FIG. 5

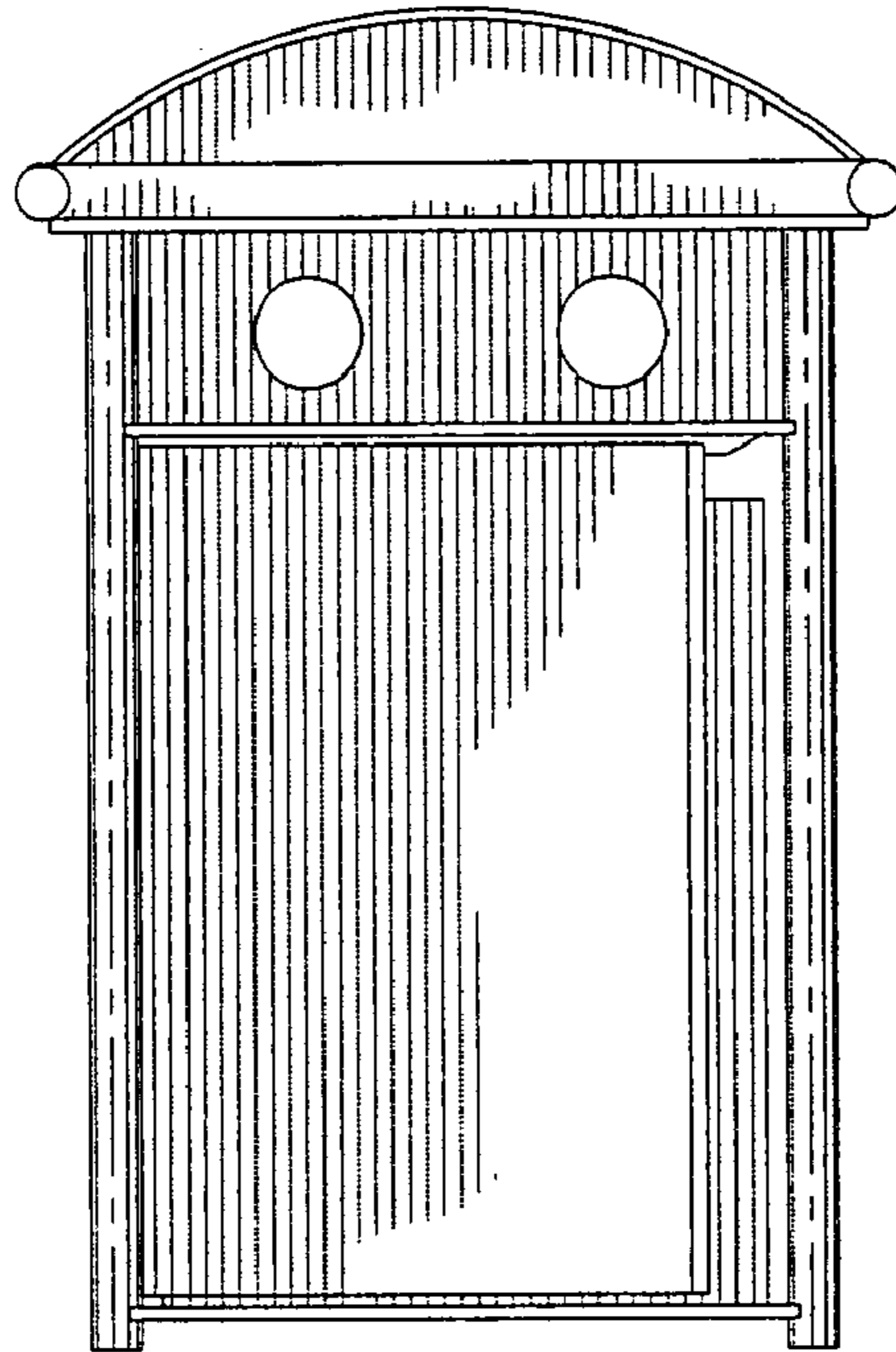


FIG. 6

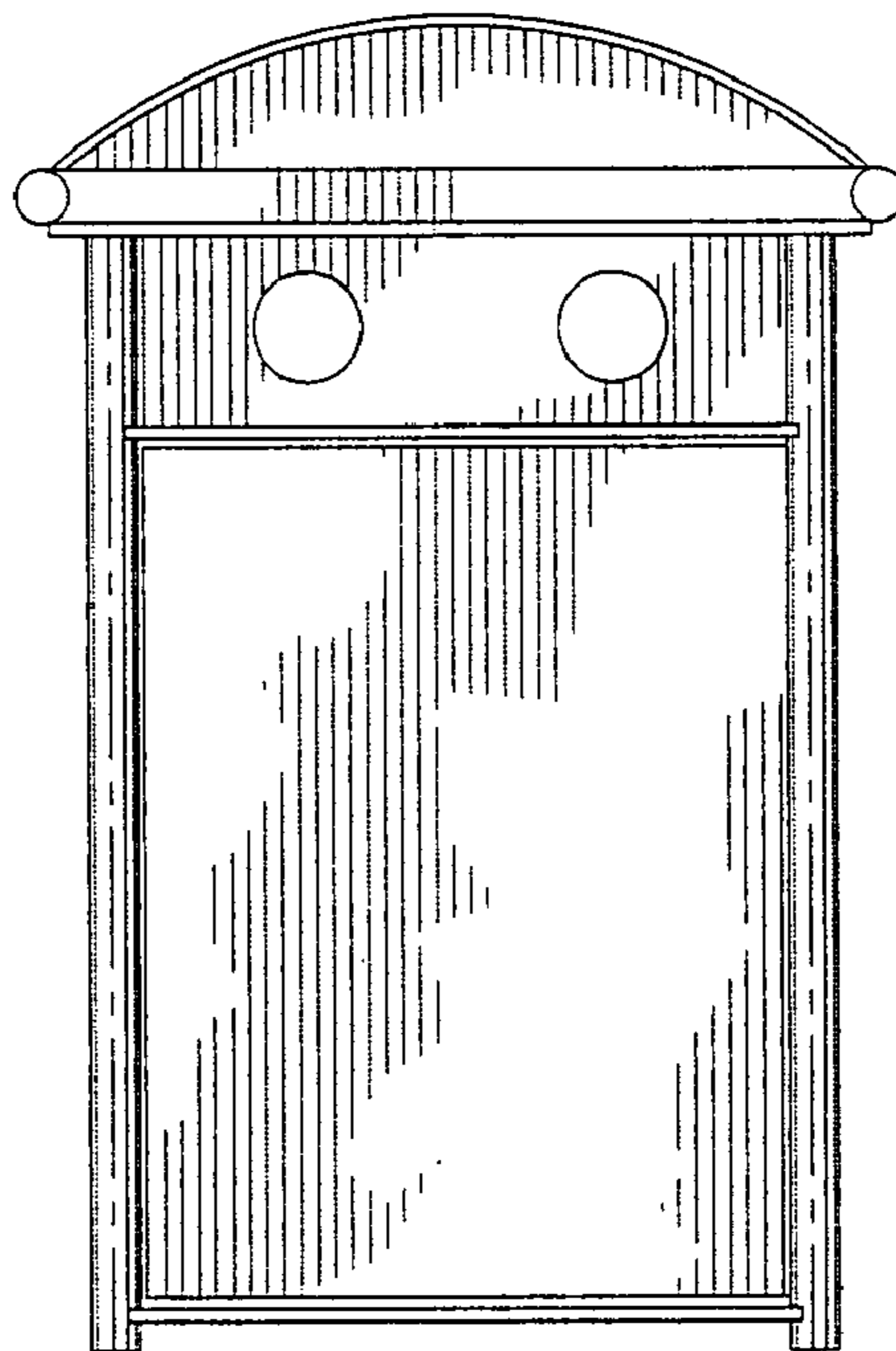


FIG. 7

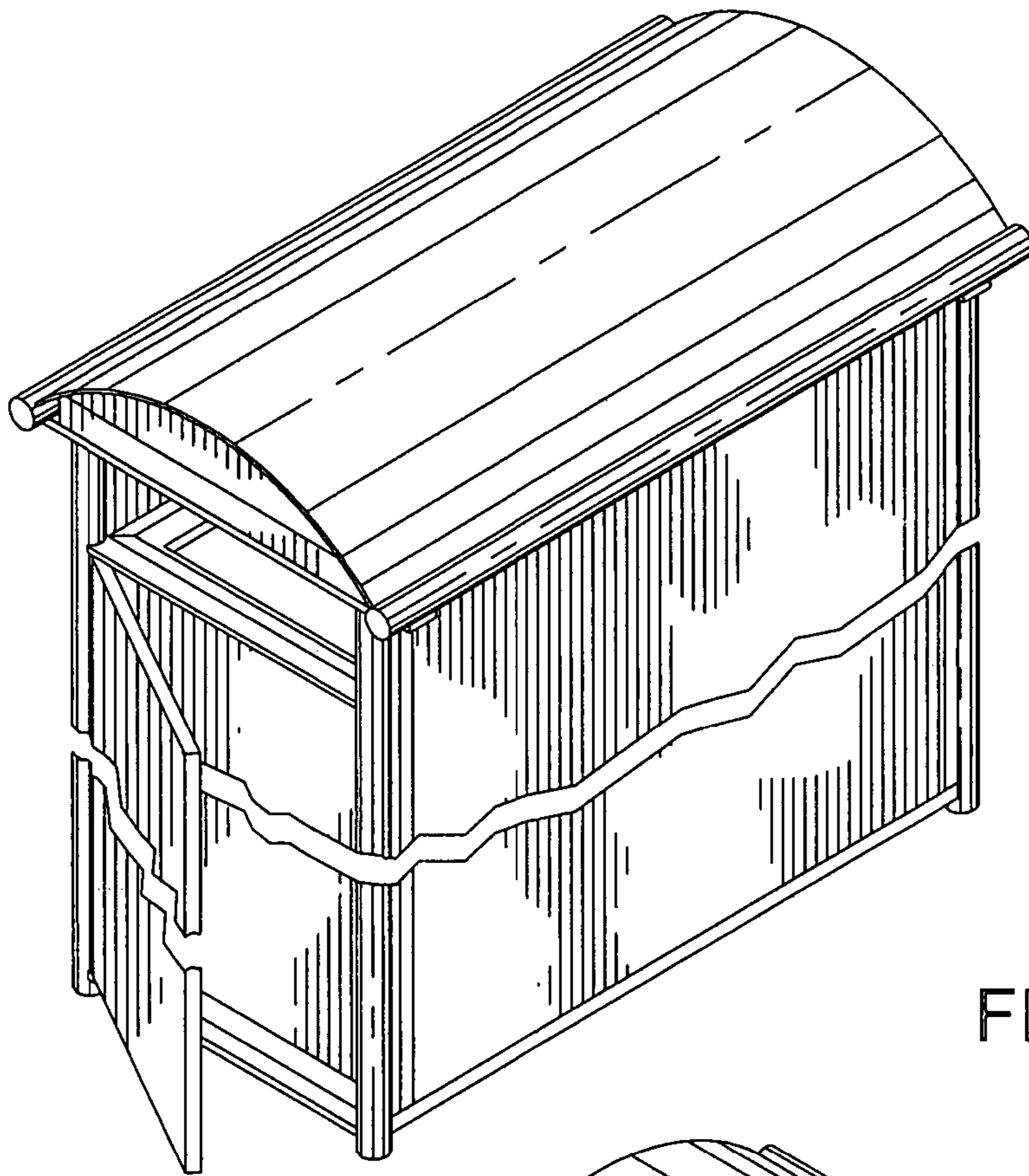


FIG. 8

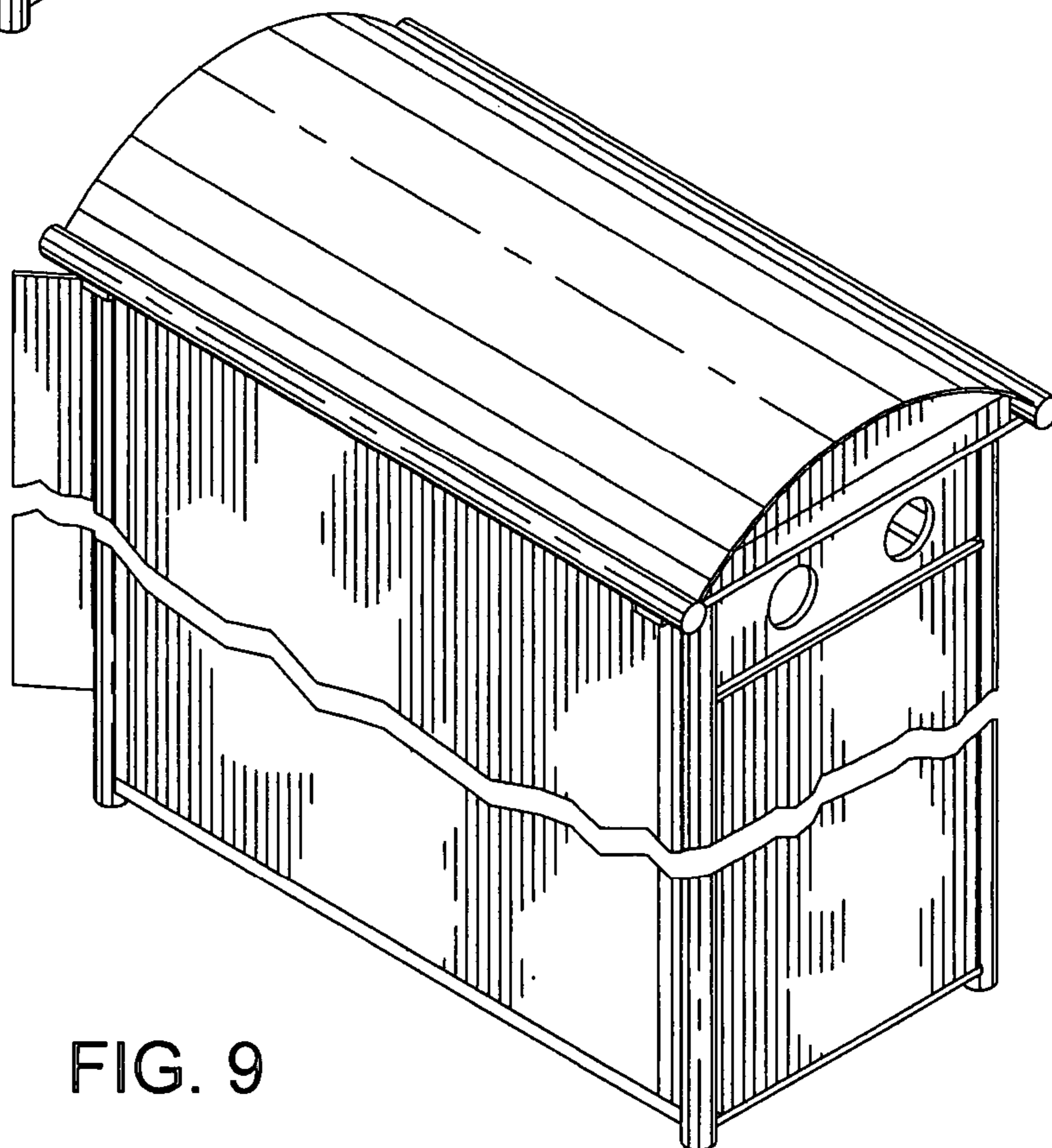


FIG. 9

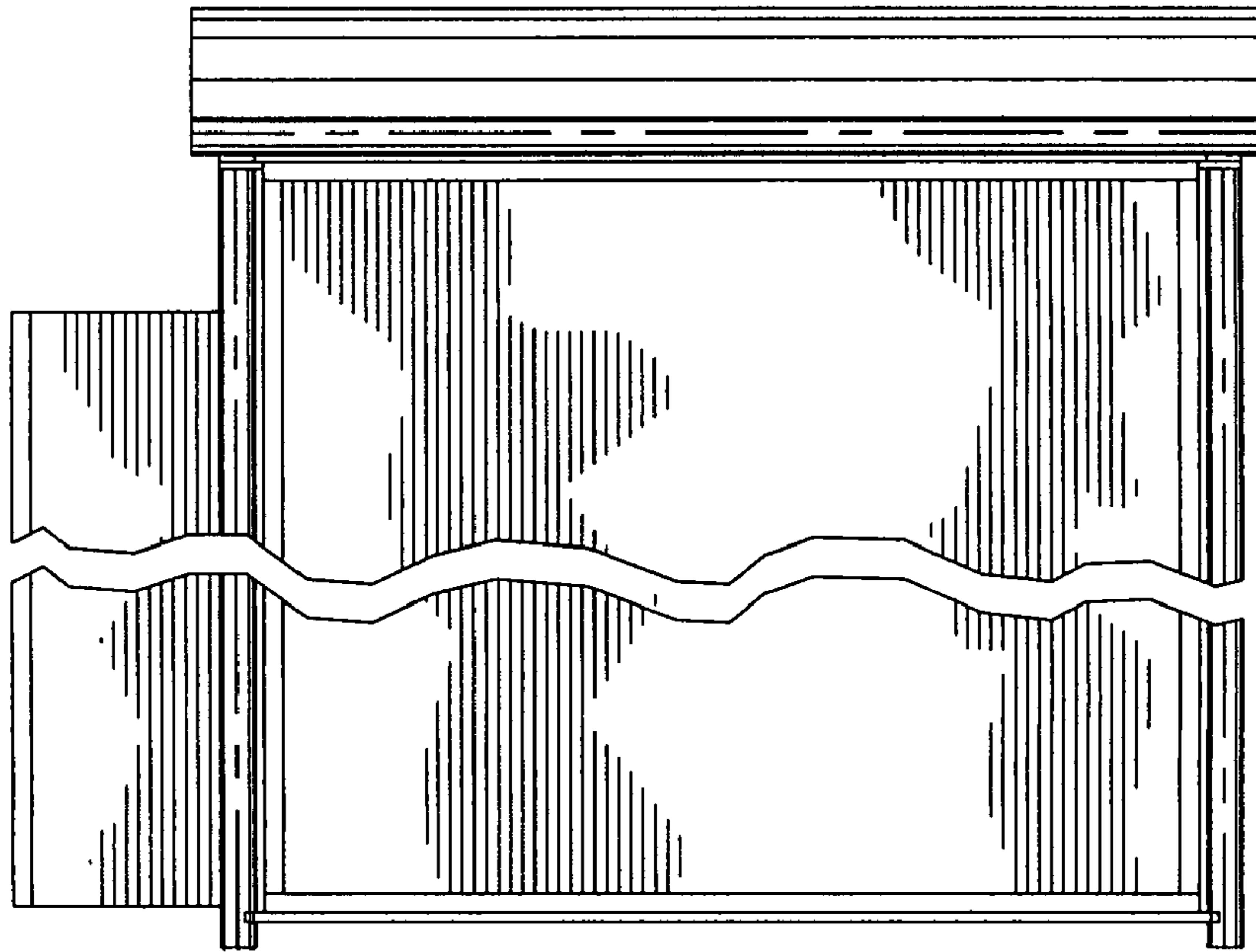


FIG. 10

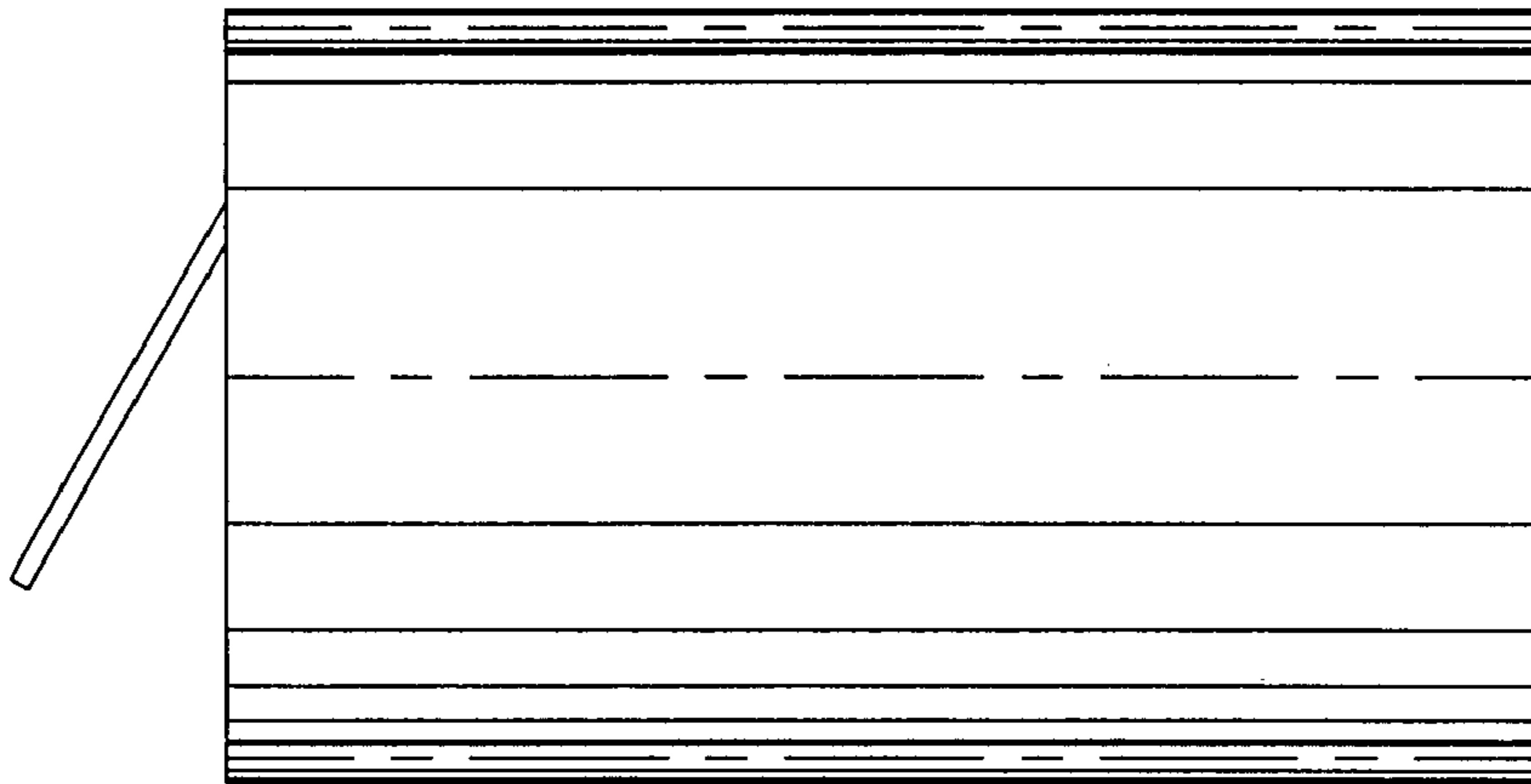


FIG. 11

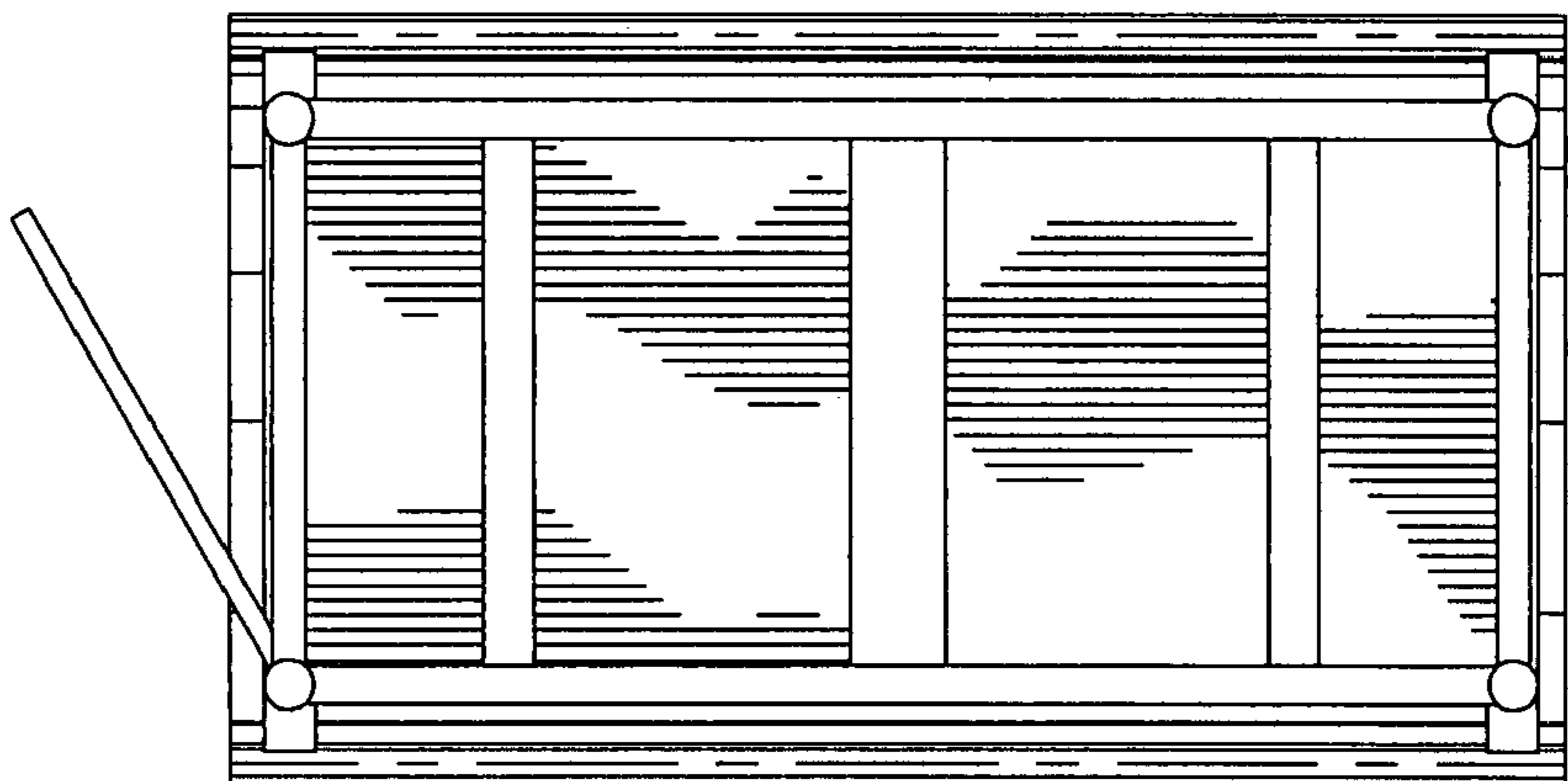


FIG. 12

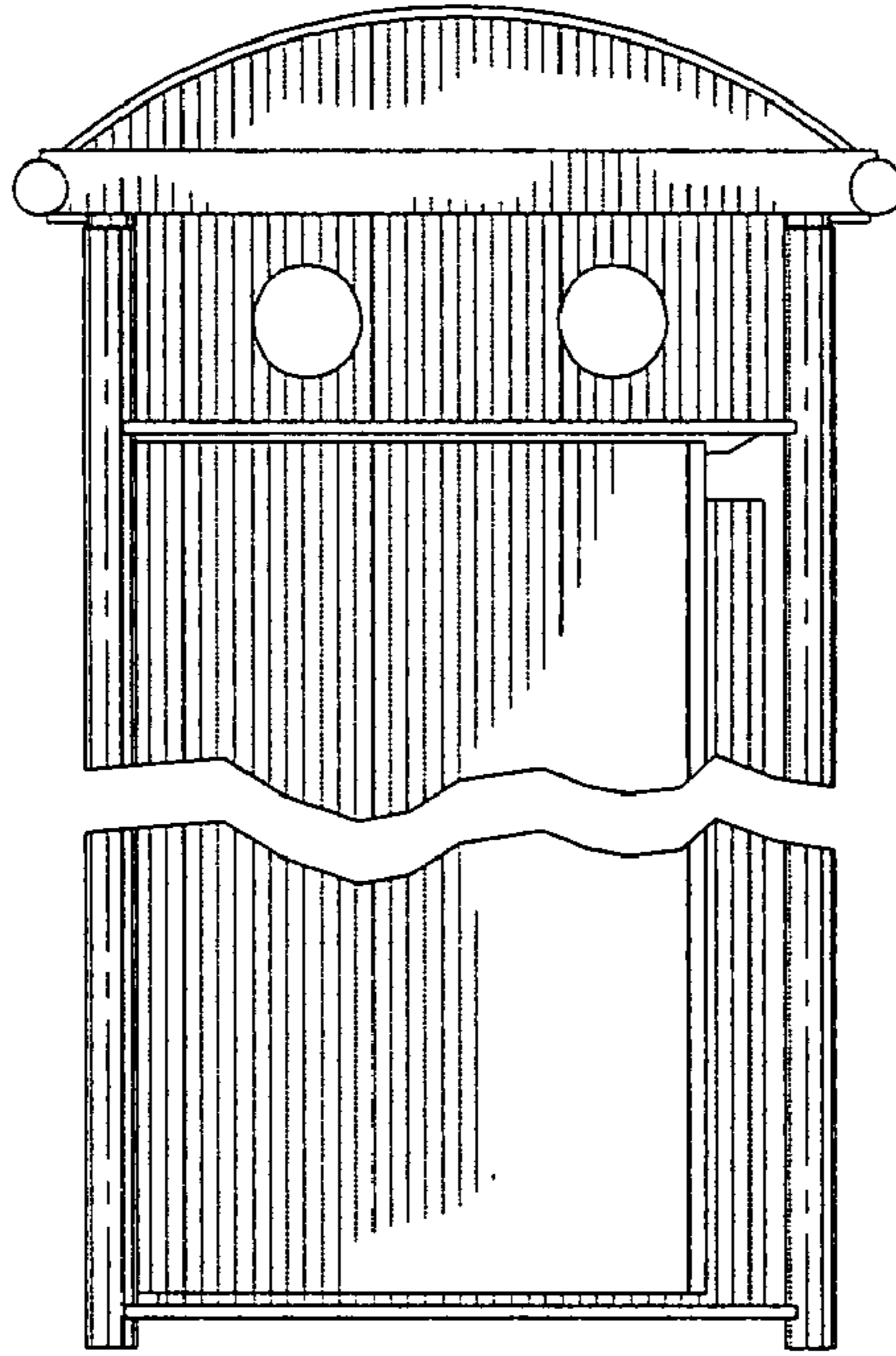


FIG. 13

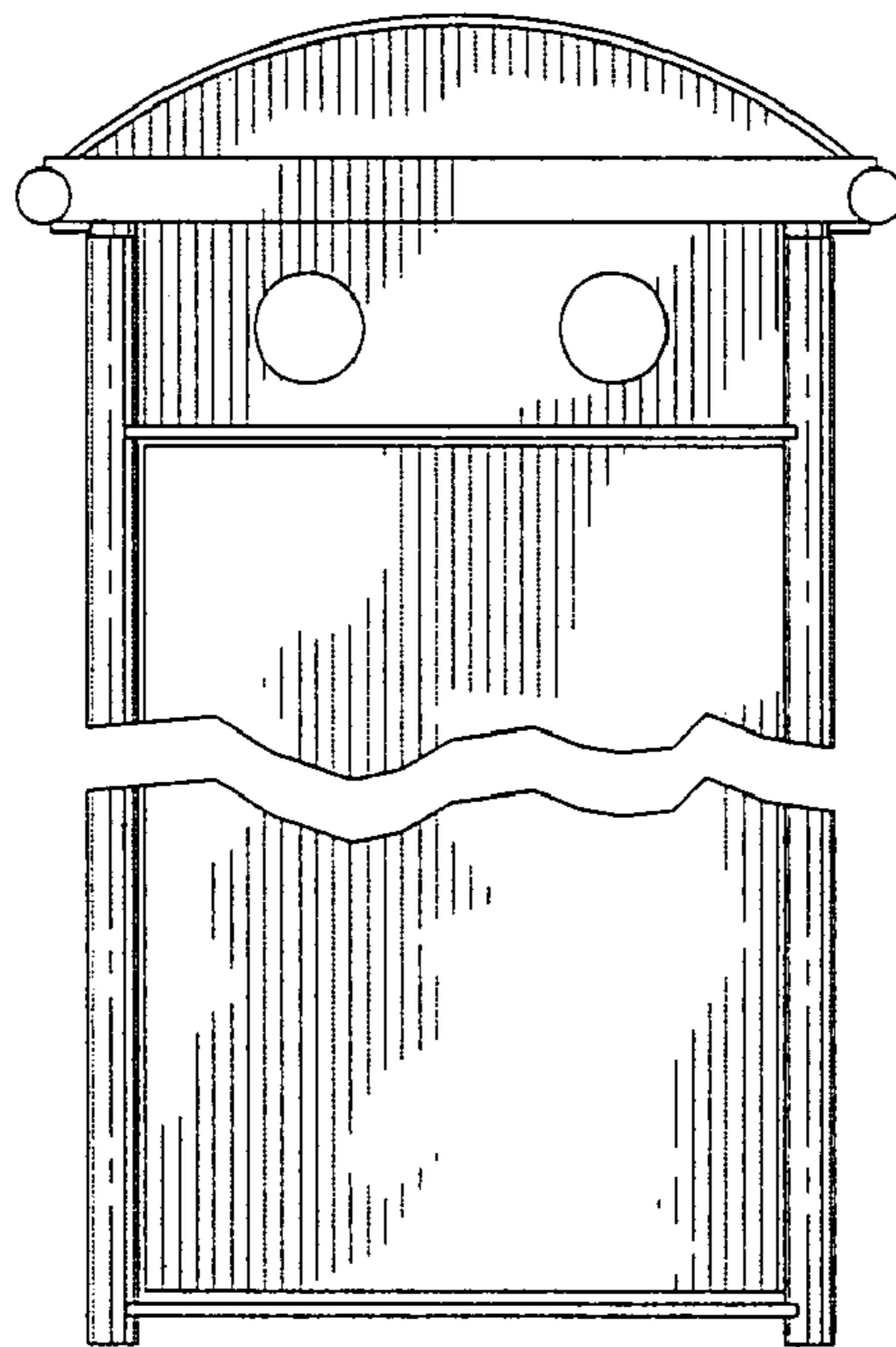


FIG. 14

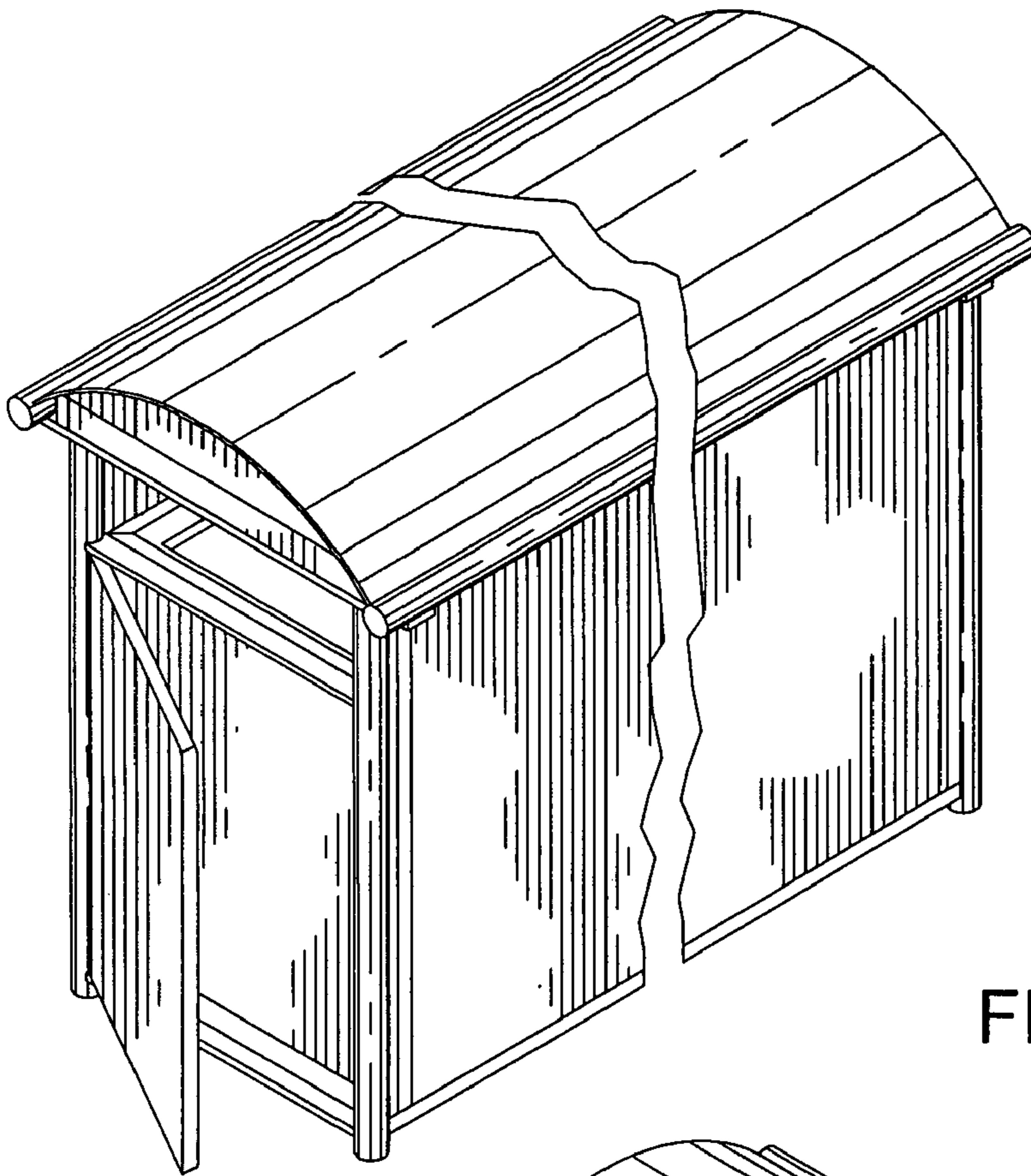


FIG. 15

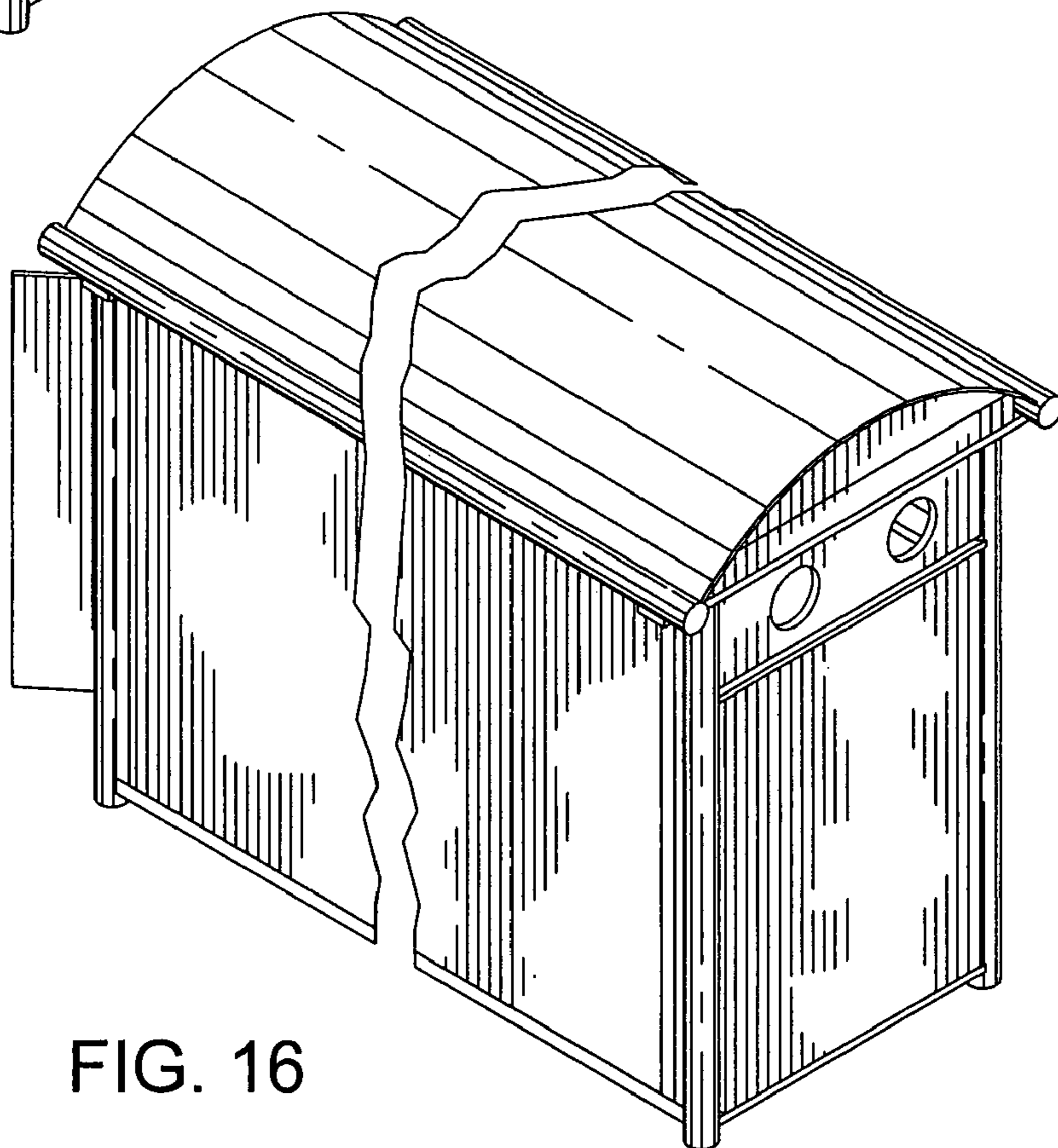


FIG. 16

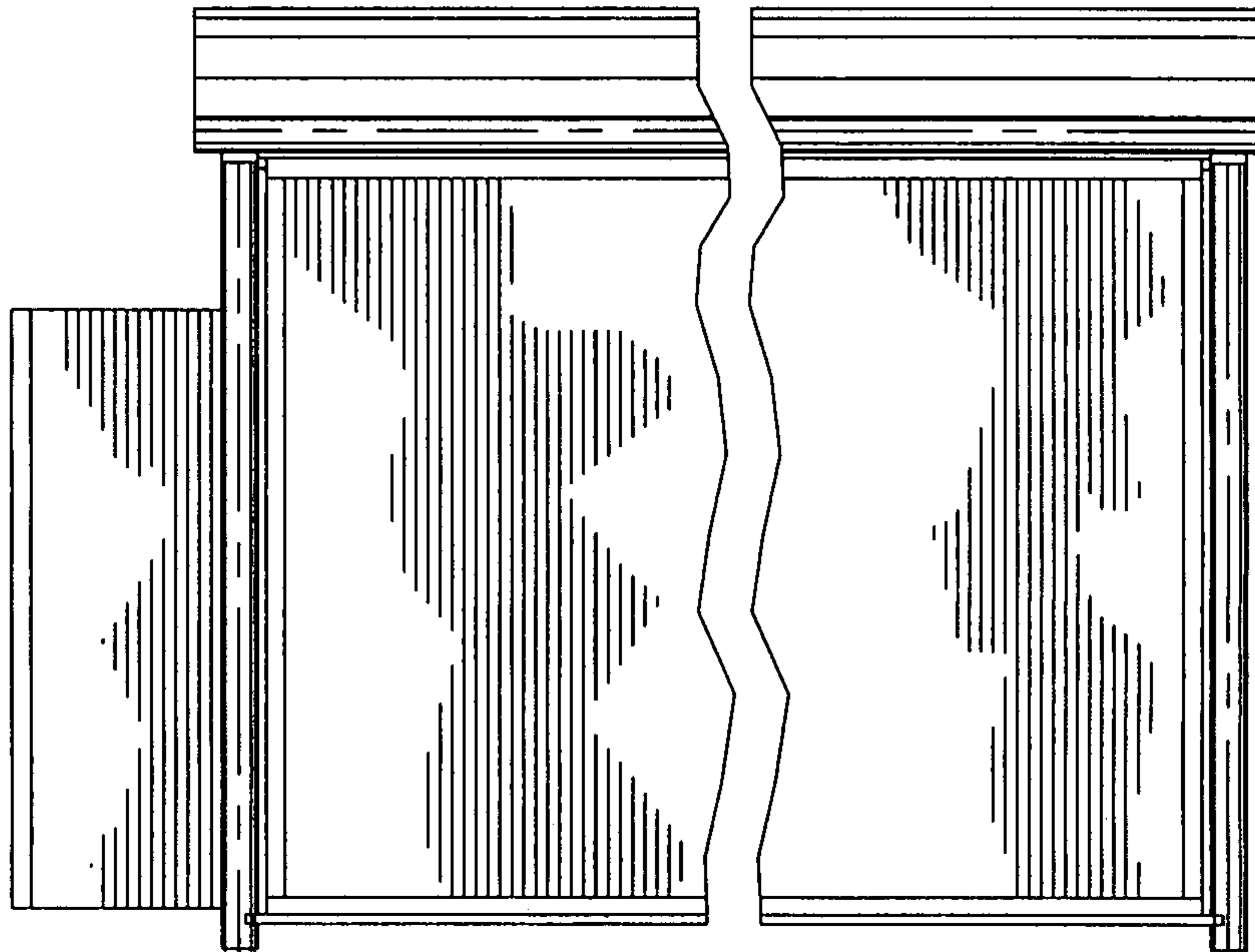


FIG. 17

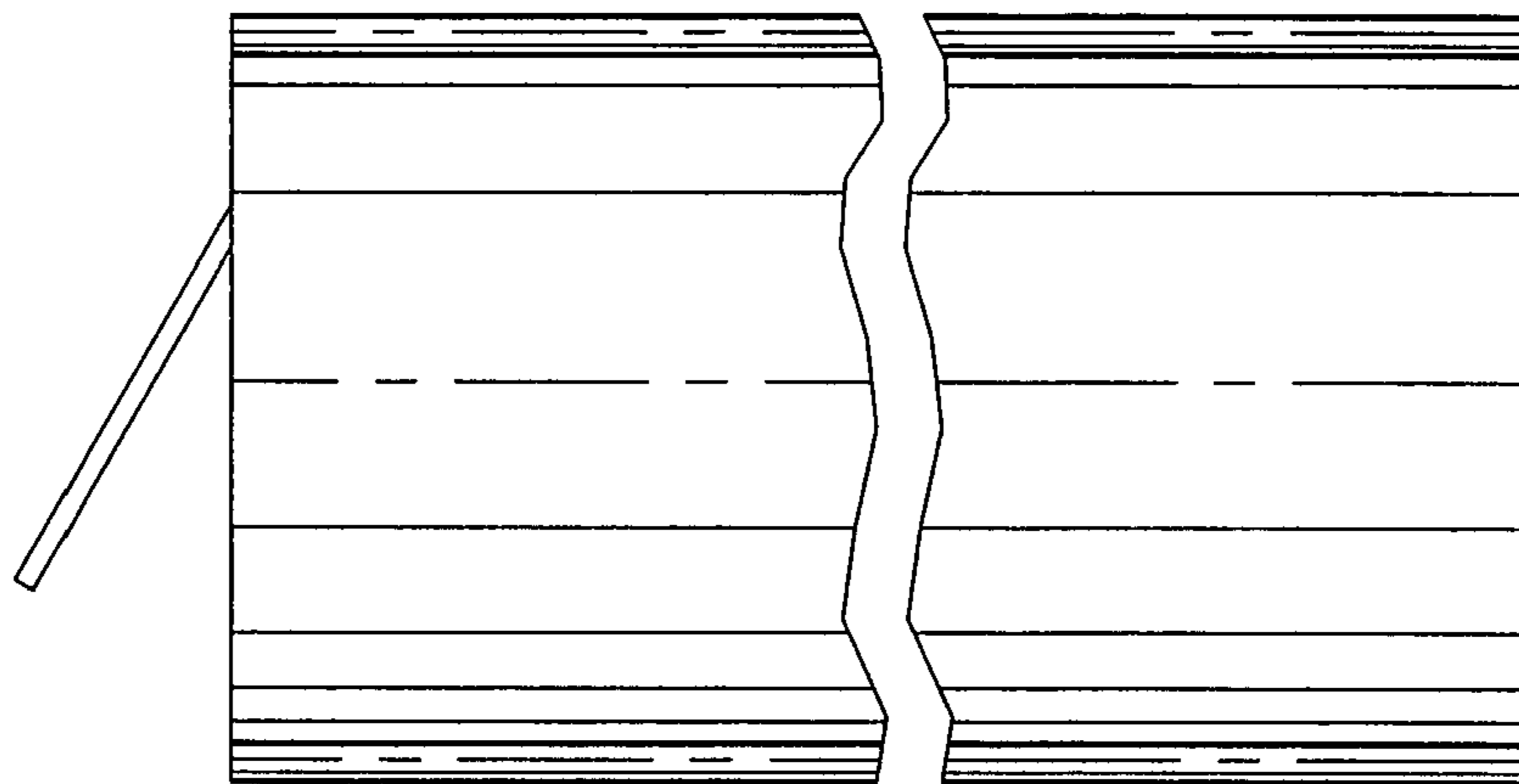


FIG. 18

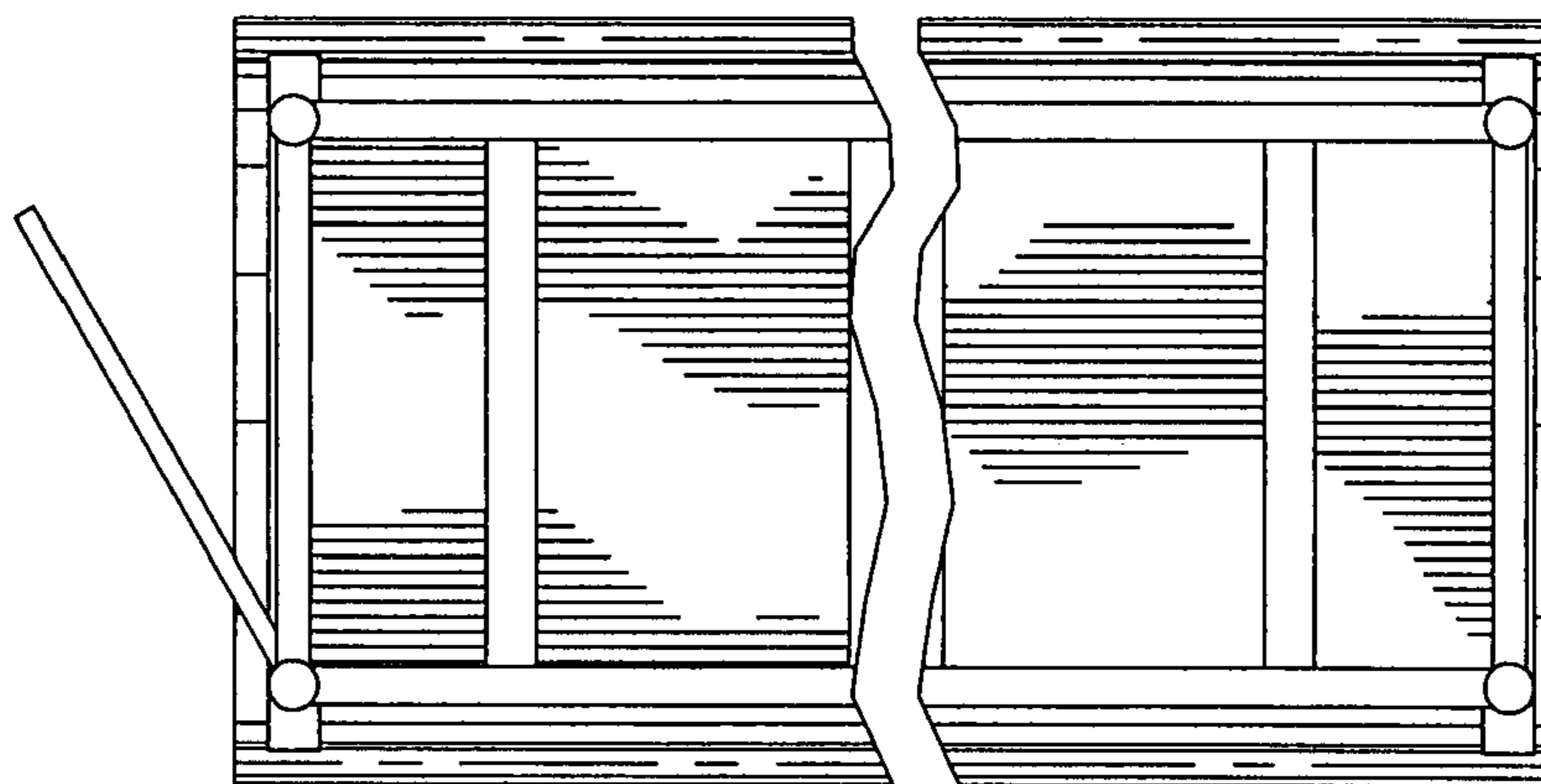


FIG. 19

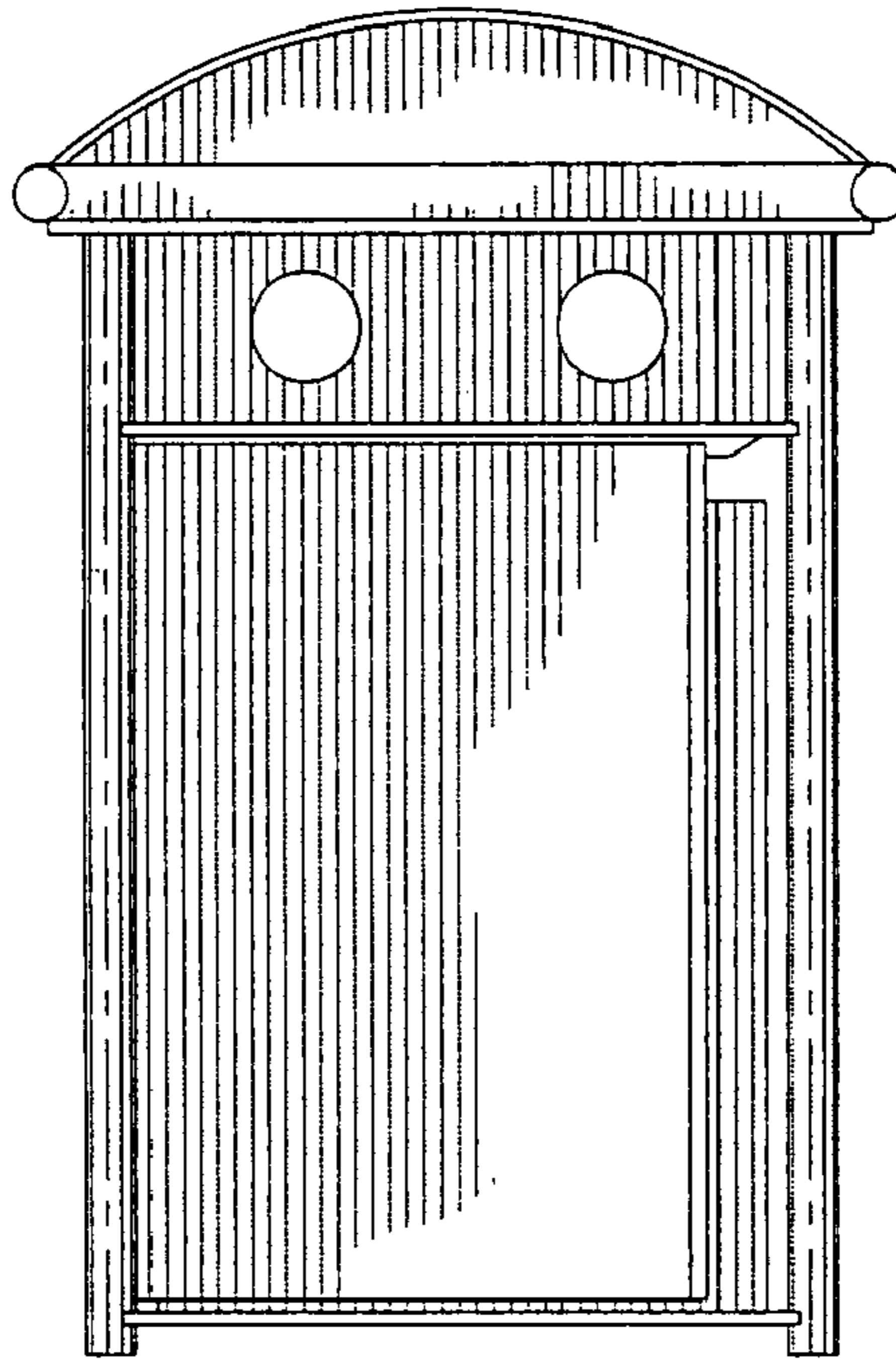


FIG. 20

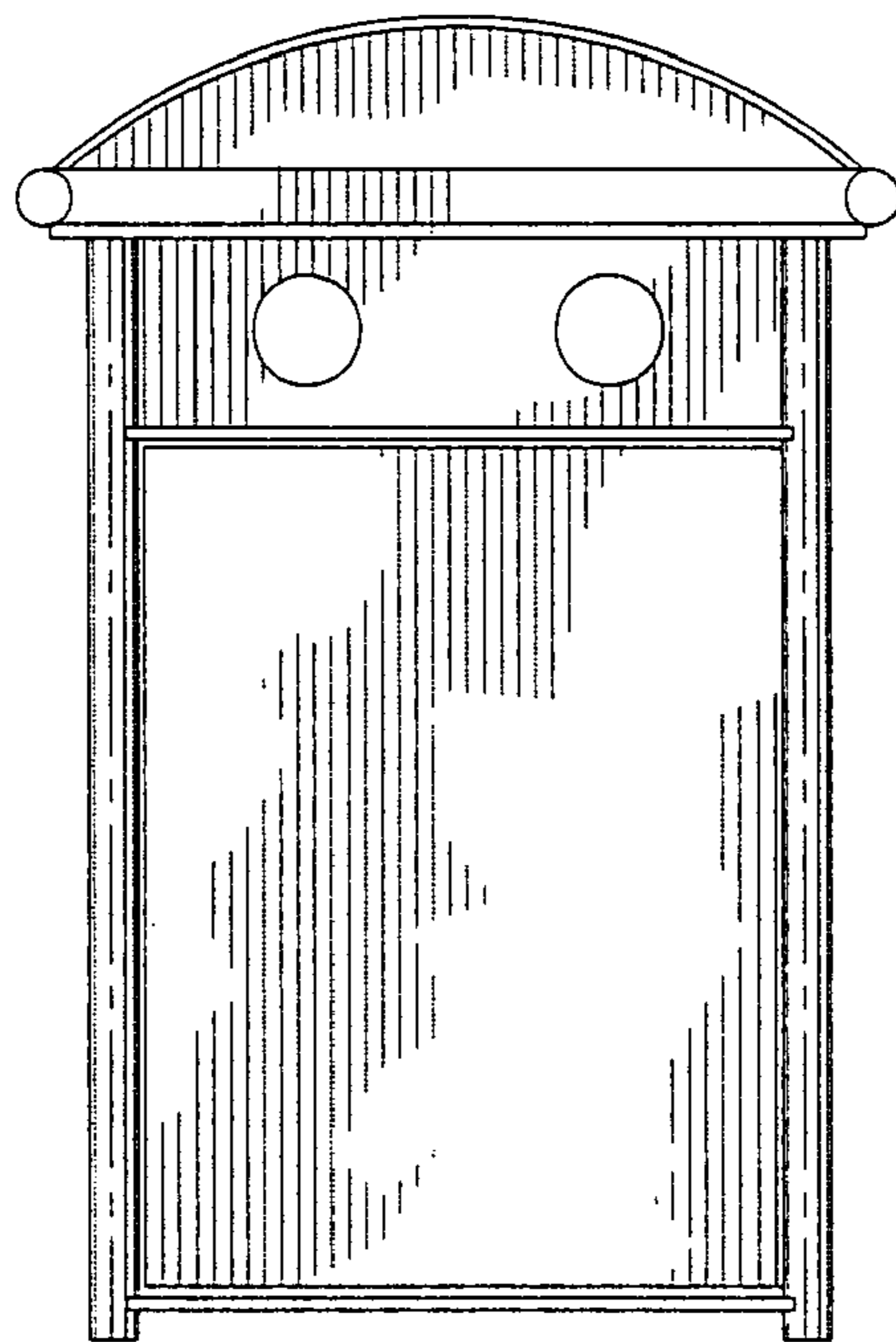


FIG. 21

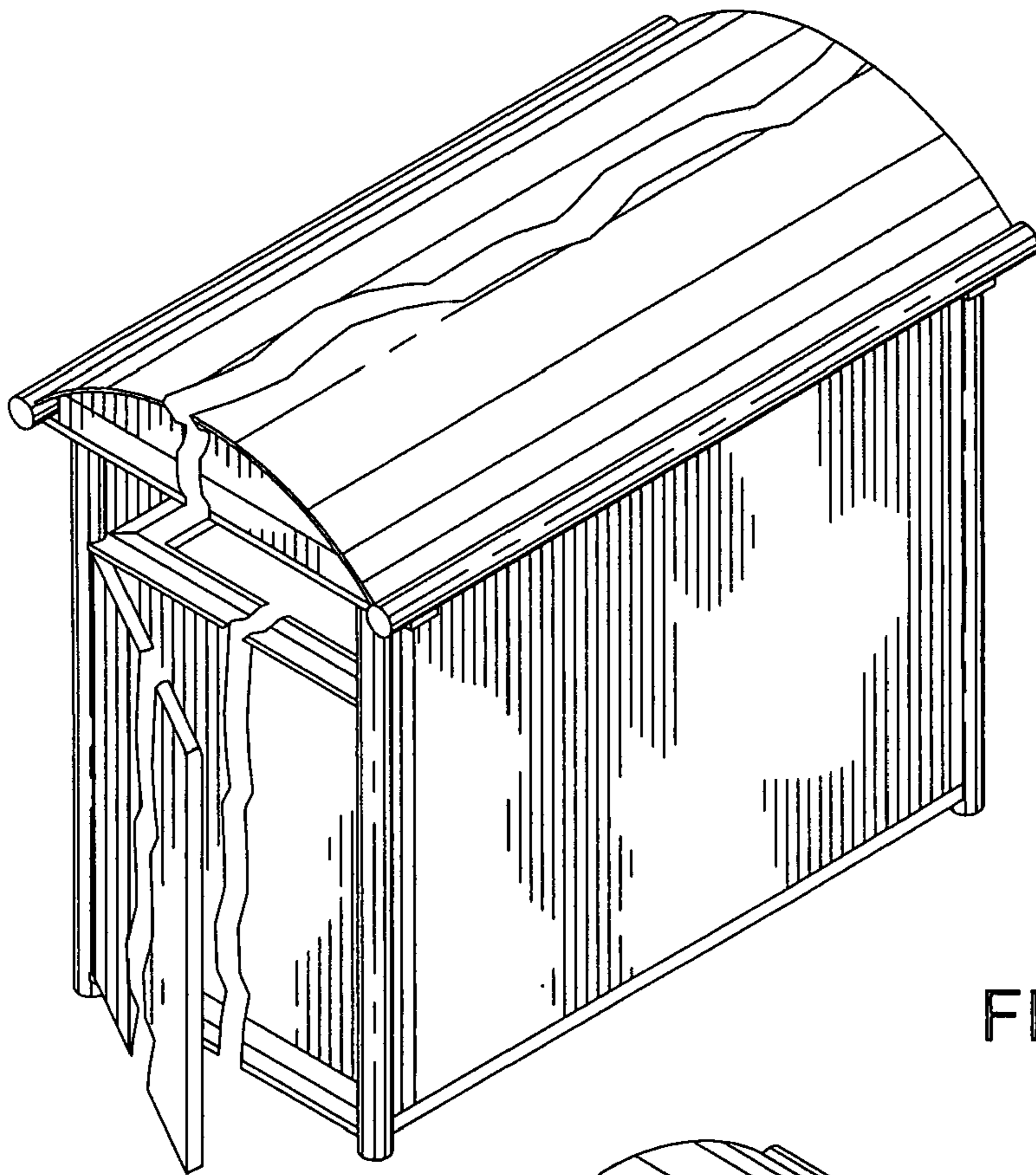


FIG. 22

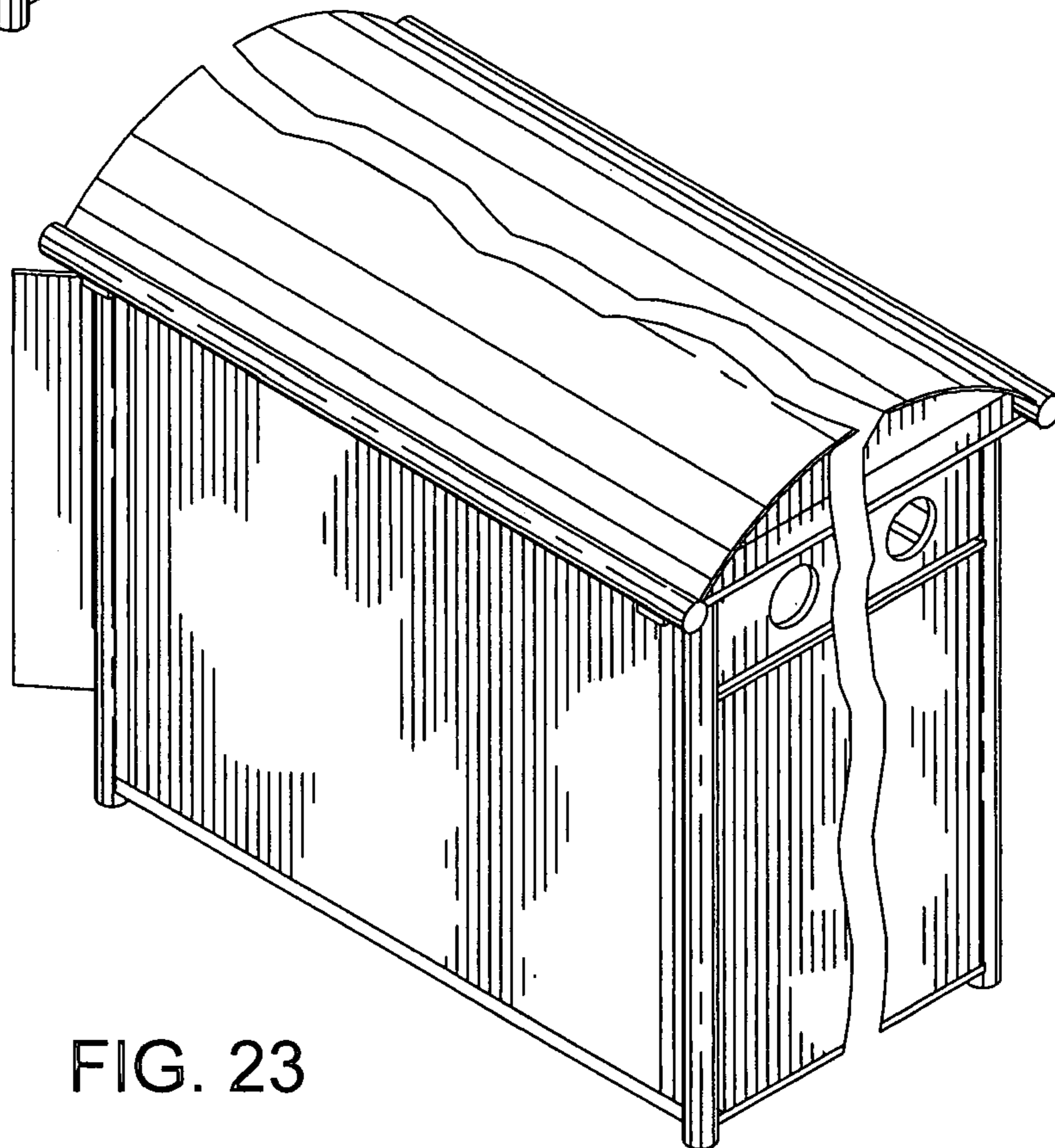


FIG. 23

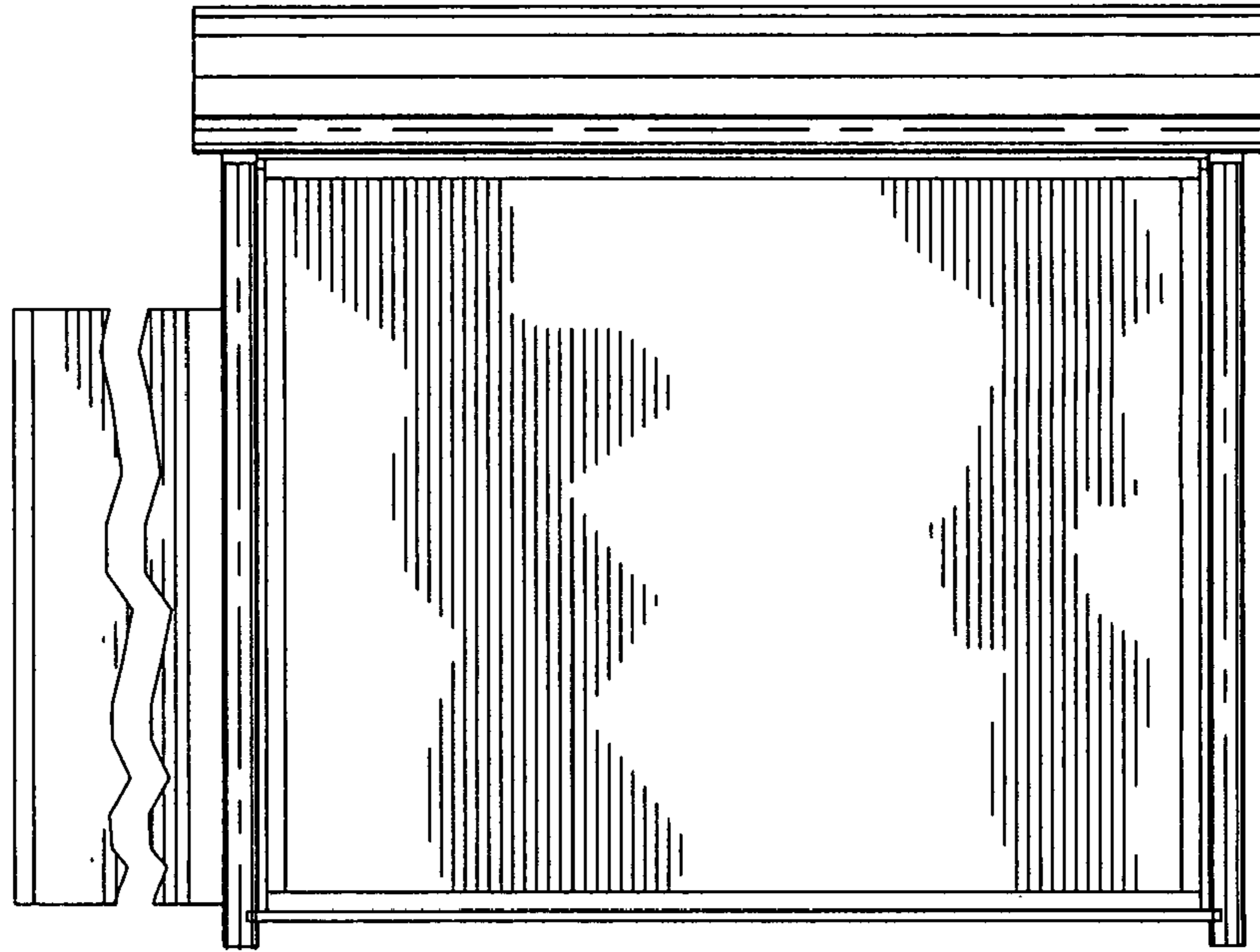


FIG. 24

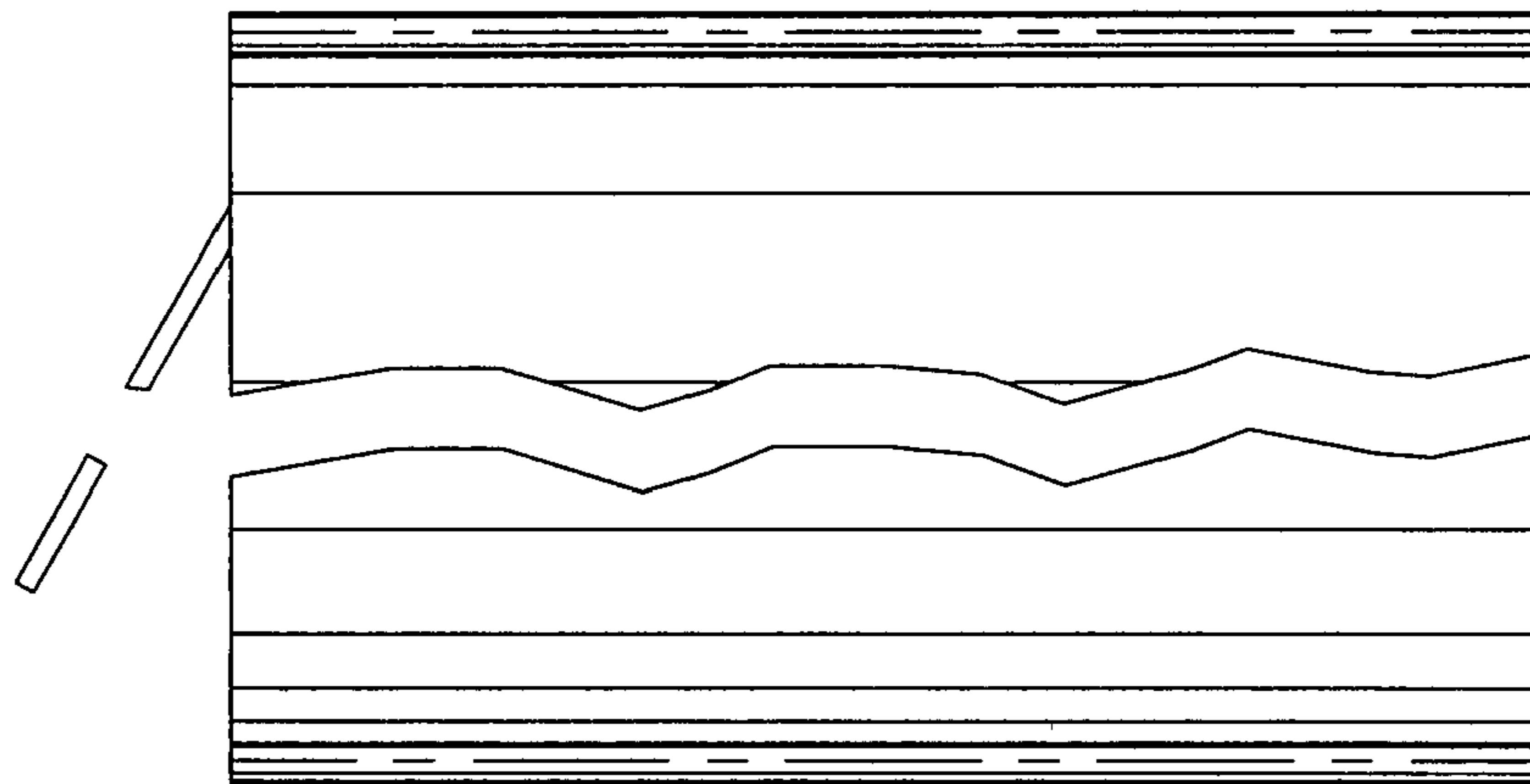


FIG. 25

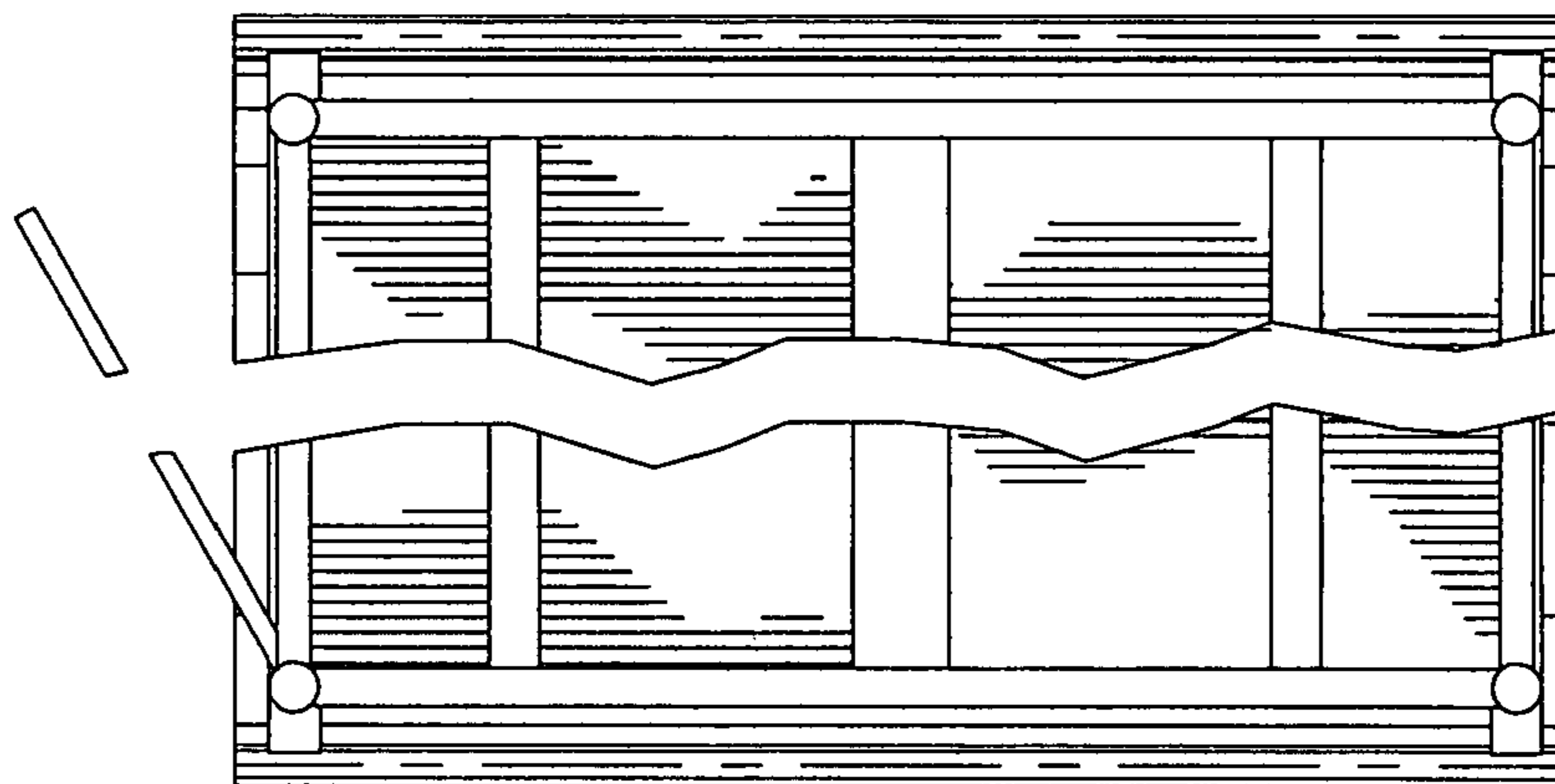


FIG. 26

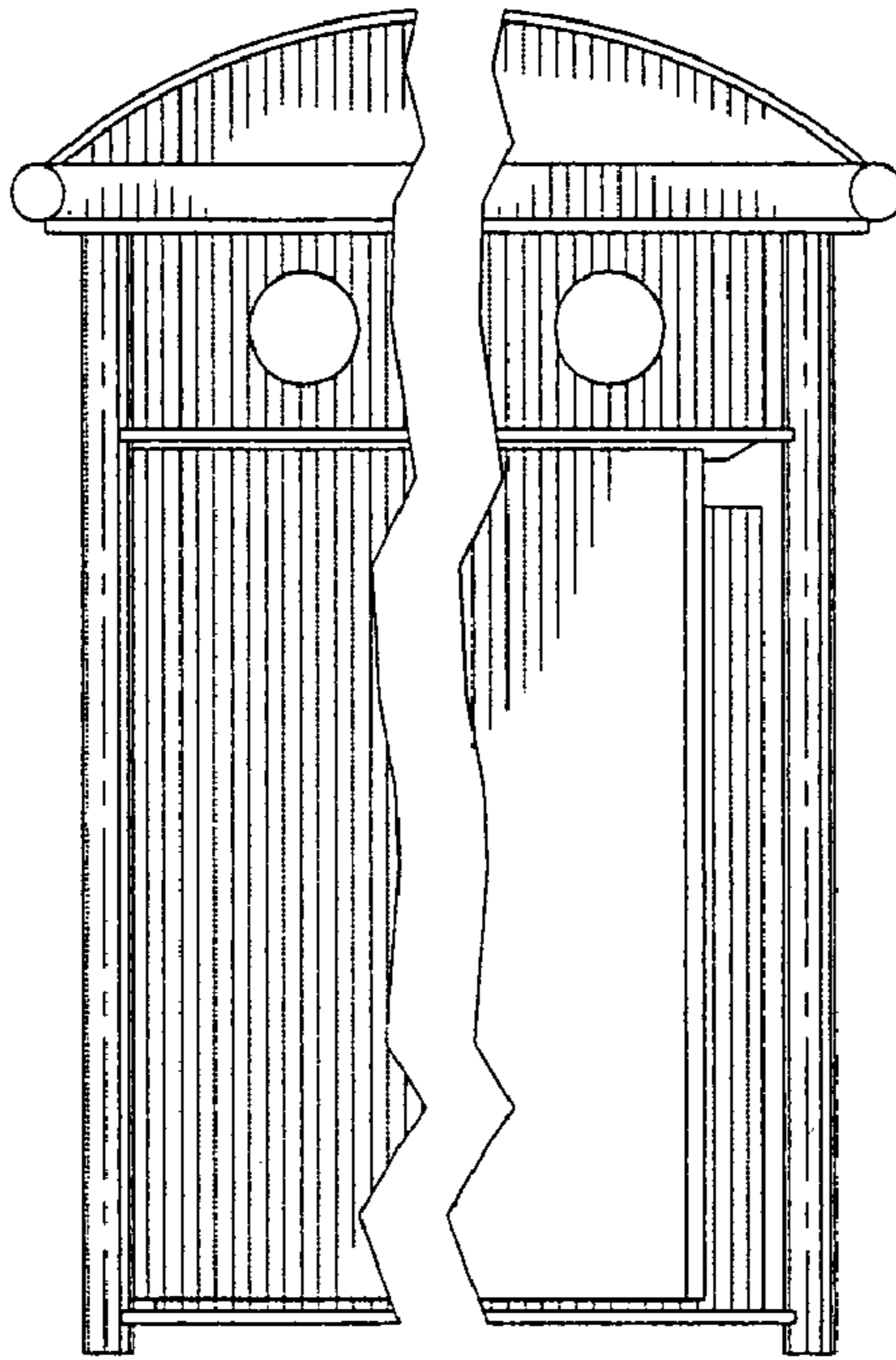


FIG. 27

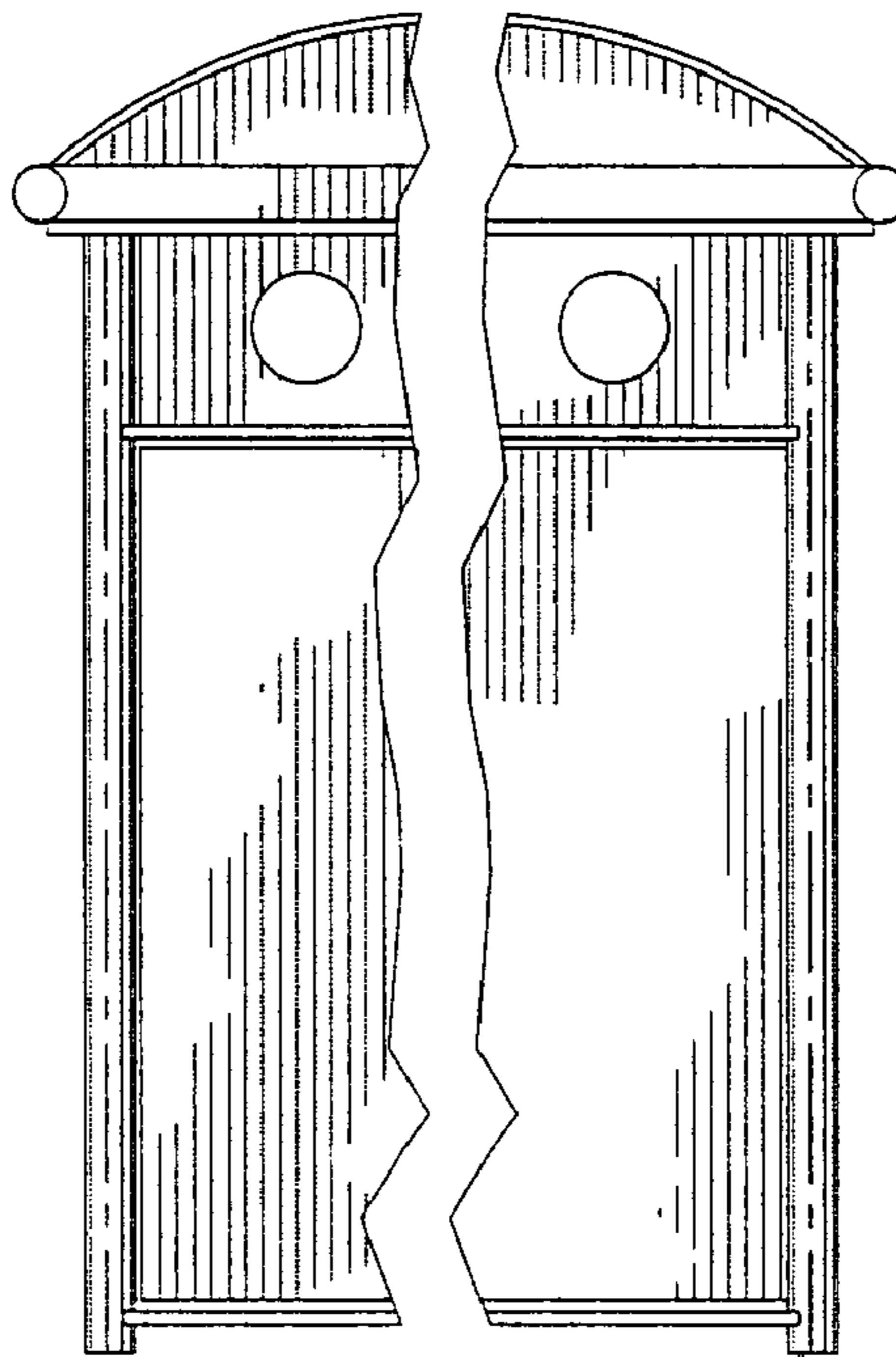


FIG. 28

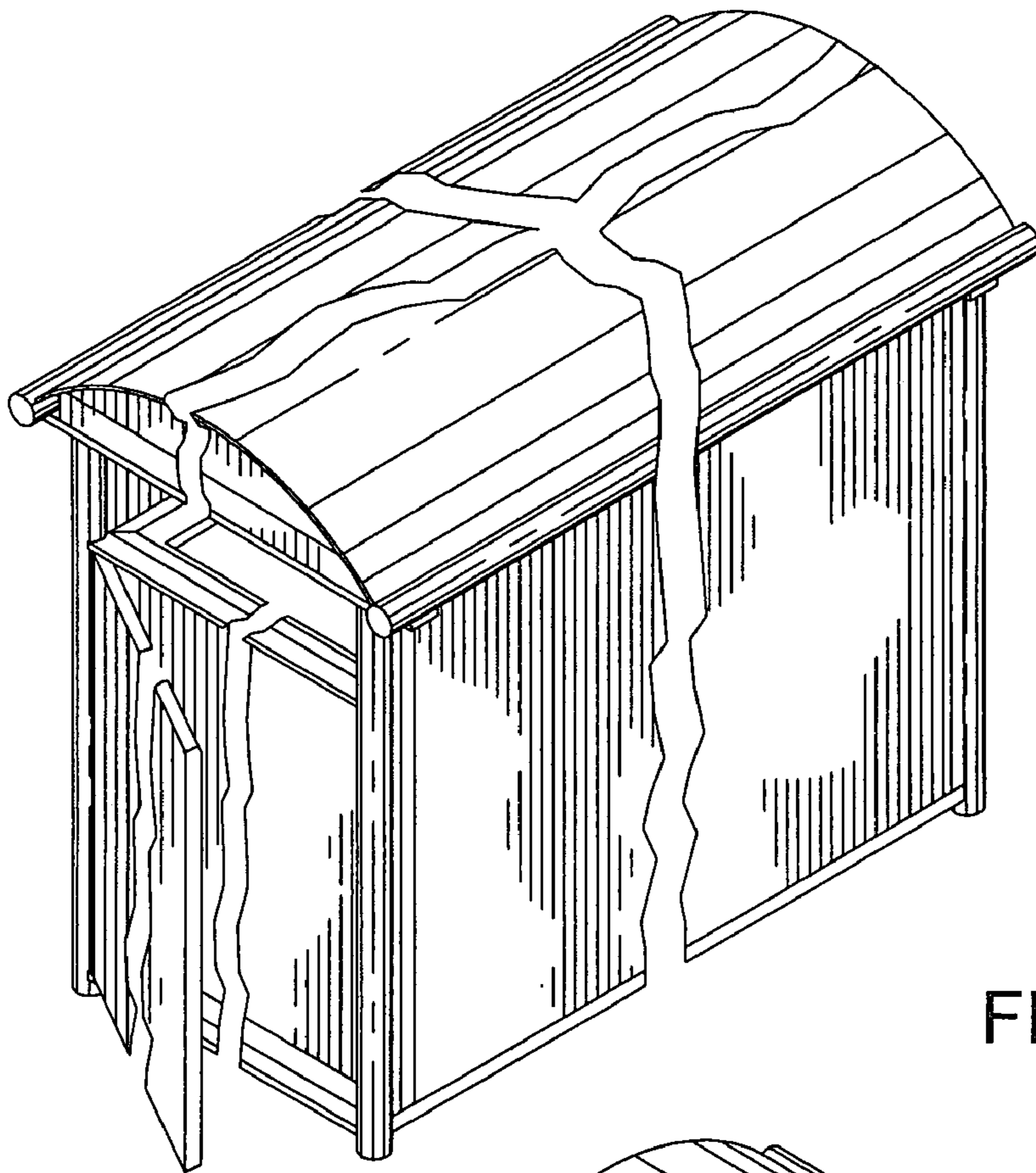


FIG. 29

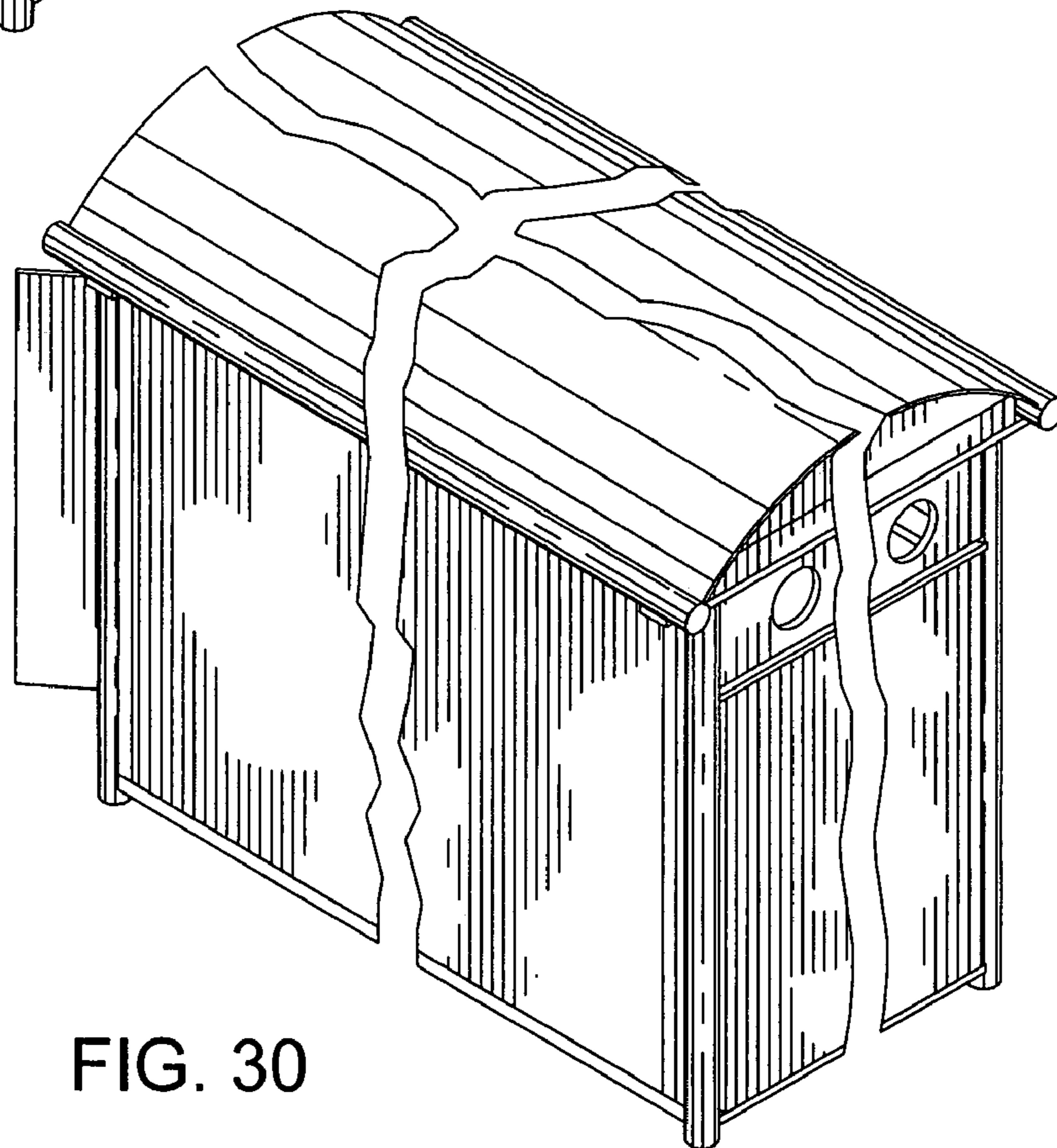


FIG. 30

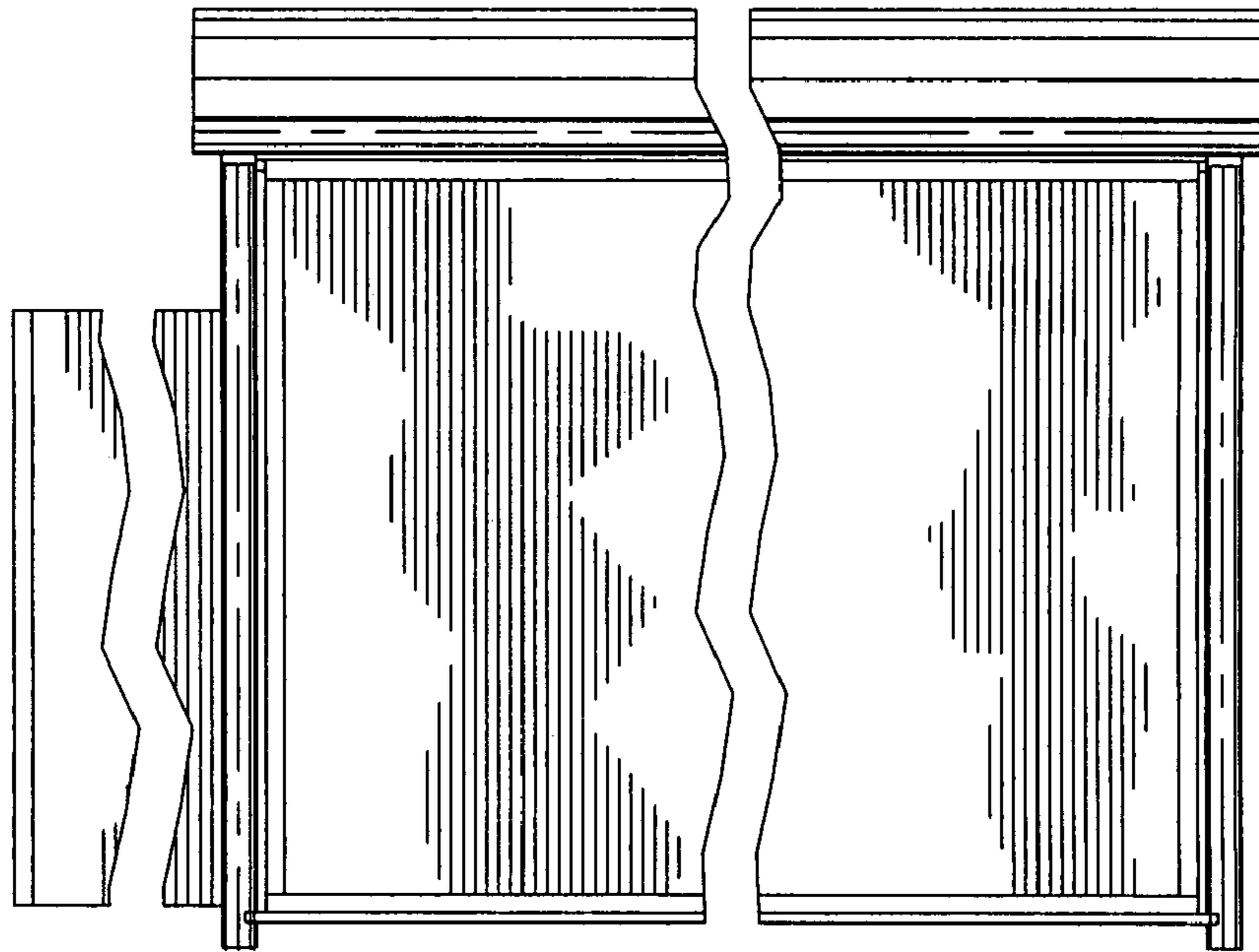


FIG. 31

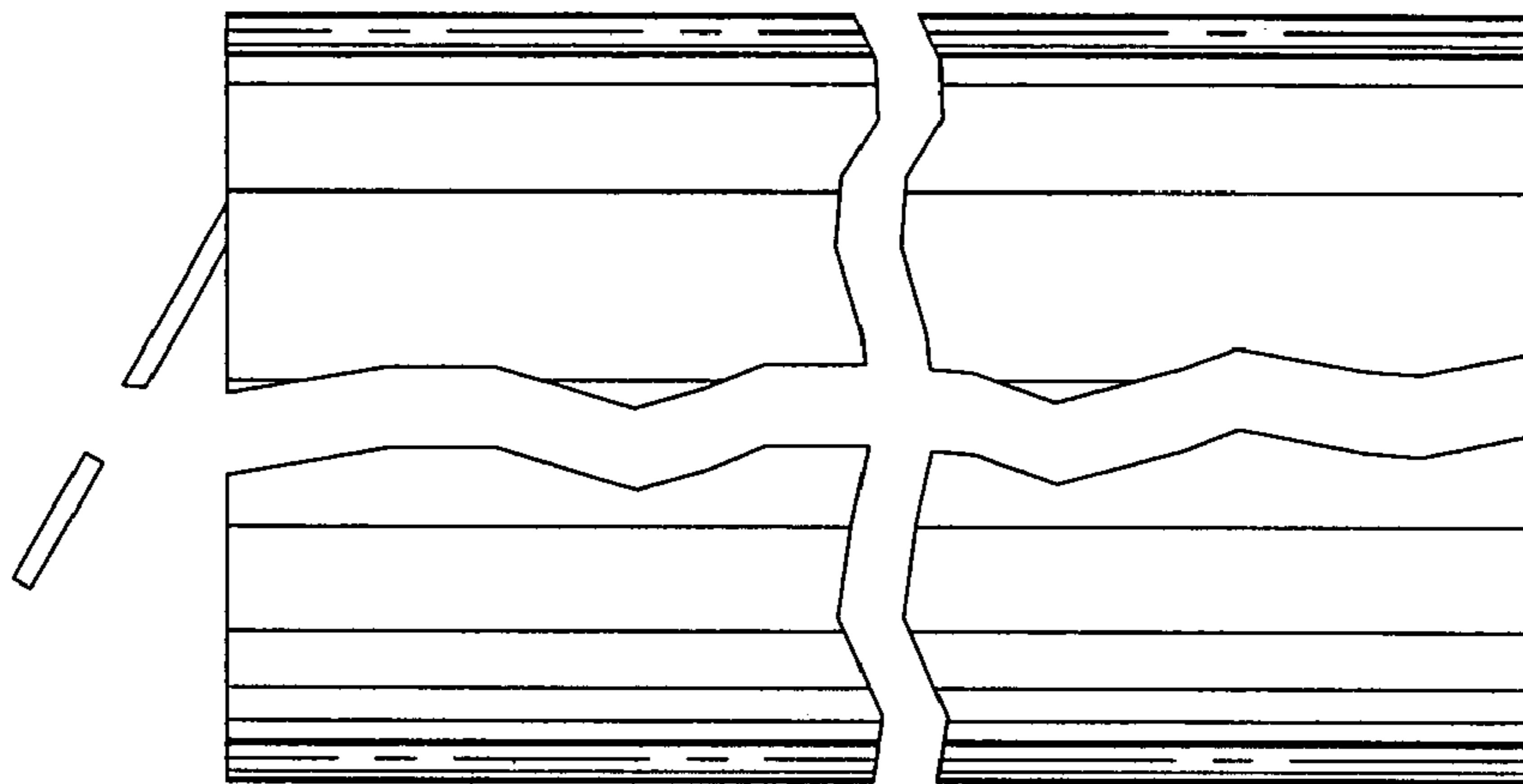


FIG. 32

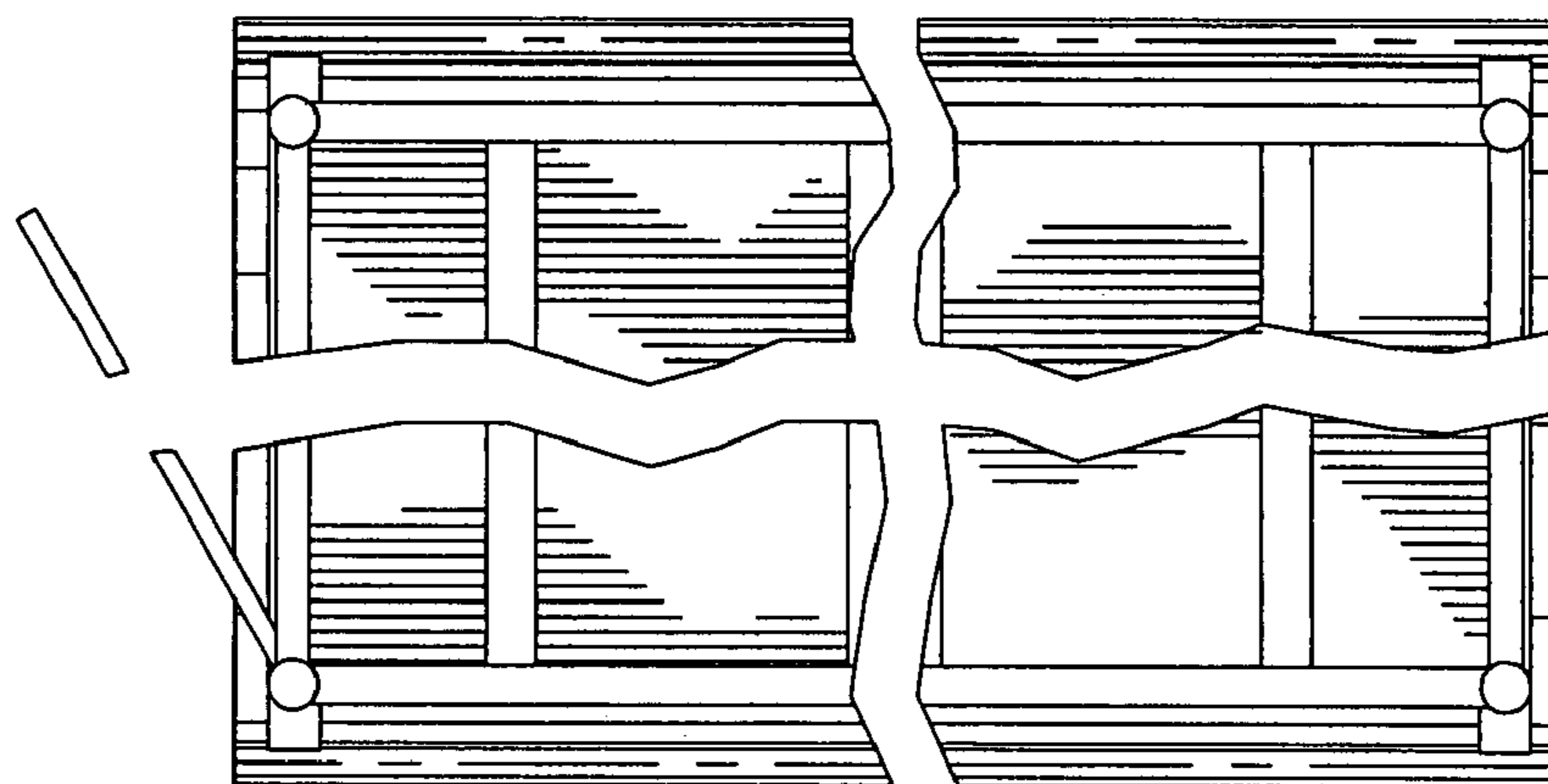


FIG. 33

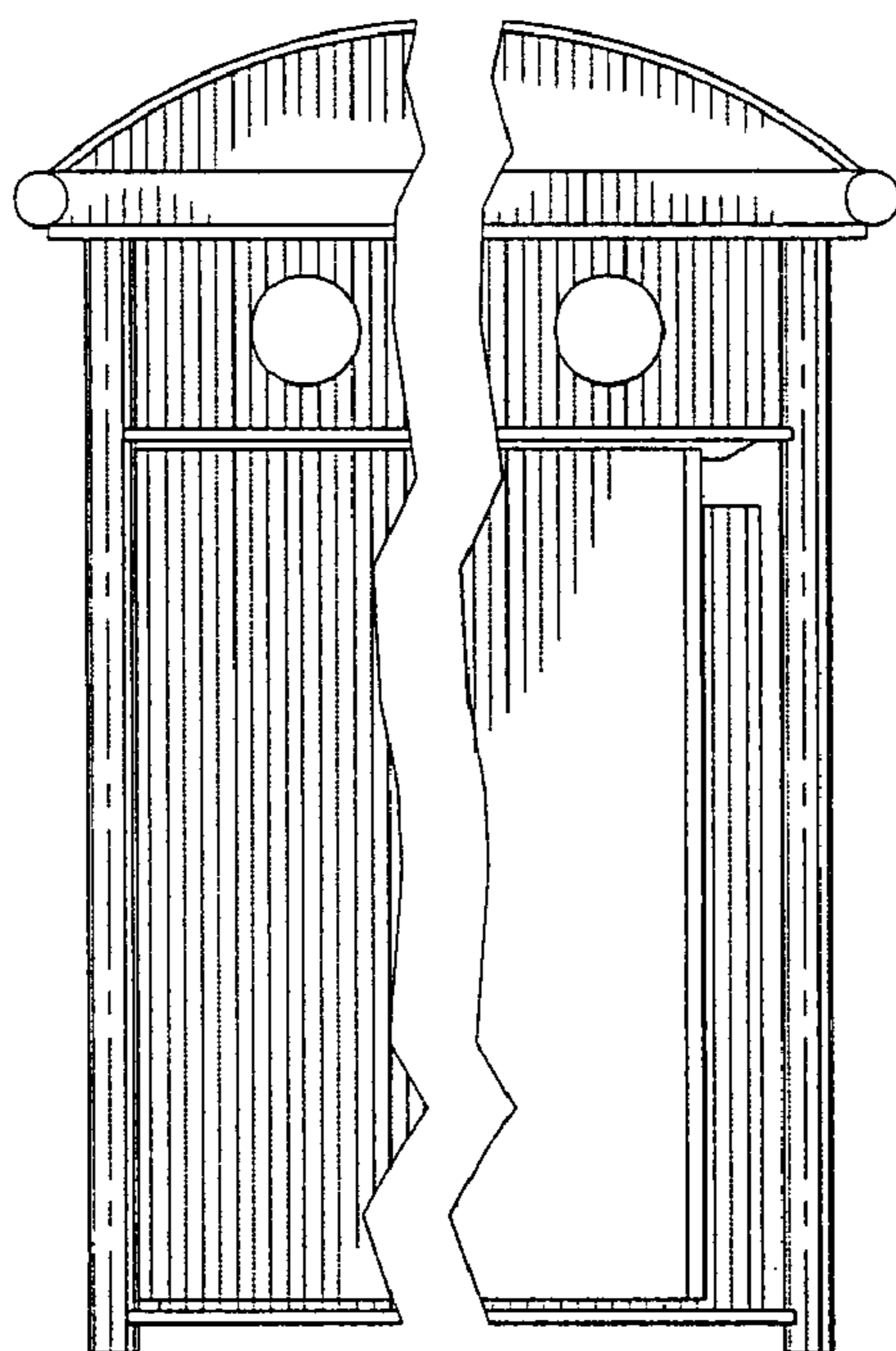


FIG. 34

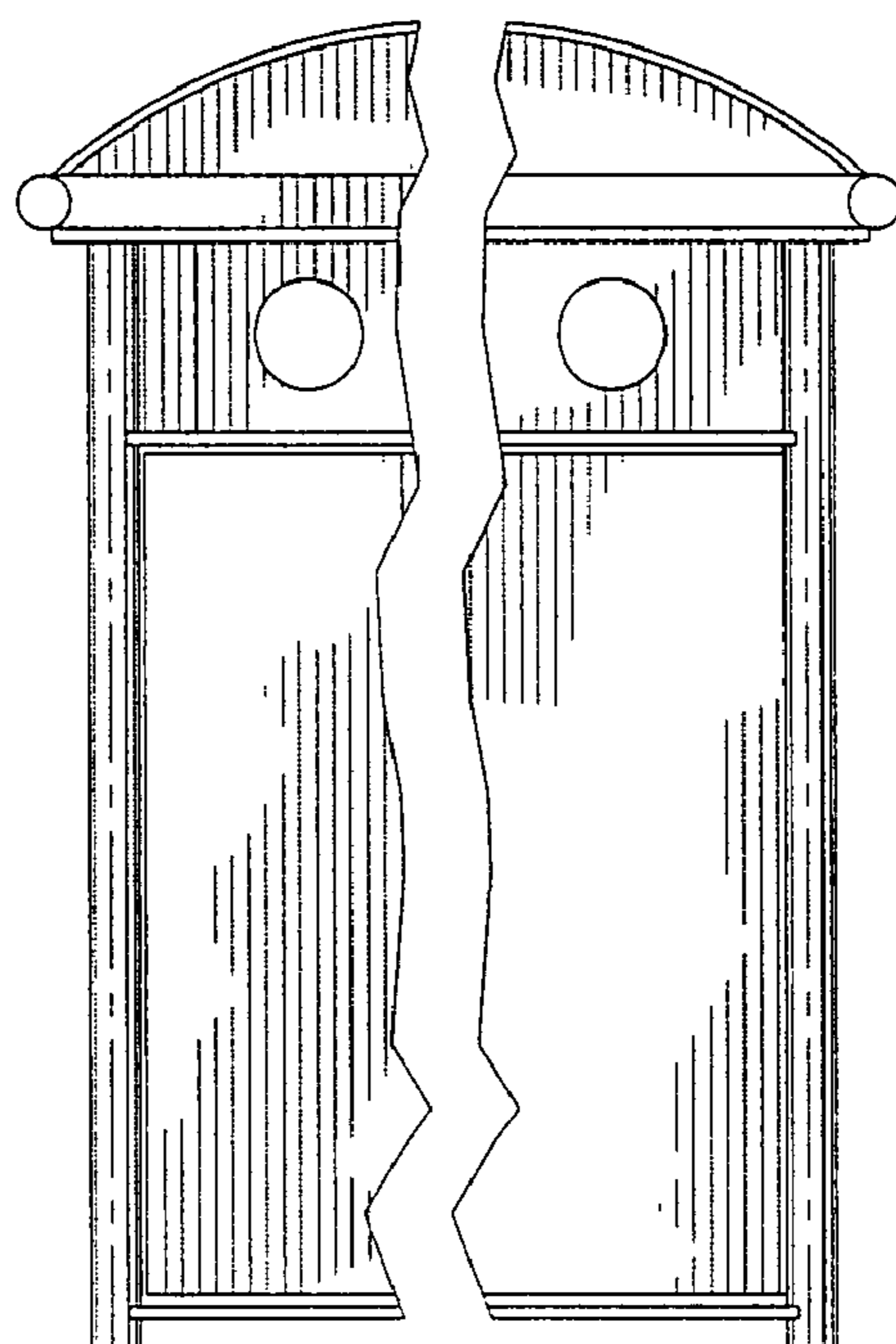


FIG. 35