

US00D566916S

(12) **United States Design Patent**
Nobile et al.

(10) **Patent No.:** **US D566,916 S**
(45) **Date of Patent:** **** Apr. 15, 2008**

(54) **MOP HEAD**

(75) Inventors: **David P. Nobile**, Alta Loma, CA (US);
Jackson S. Burnett, III, Spartanburg,
SC (US)

(73) Assignee: **Contec, Inc.**, Spartanburg, SC (US)

(**) Term: **14 Years**

(21) Appl. No.: **29/286,028**

(22) Filed: **Apr. 20, 2007**

(51) **LOC (8) Cl.** **07-05**

(52) **U.S. Cl.** **D32/40; D32/50**

(58) **Field of Classification Search** D32/40,
D32/35, 50; 15/223–224, 231, 247, 229.11,
15/209.1, 228, 244.1–244.3; 401/138–140,
401/132

See application file for complete search history.

(56) **References Cited**

U.S. PATENT DOCUMENTS

3,795,933	A	3/1974	Seufert	15/114
3,945,736	A	3/1976	Rittenbaum et al.	401/289
4,216,562	A	8/1980	Strahs	15/119
4,852,210	A *	8/1989	Krajicek	15/228
D304,630	S *	11/1989	Jones et al.	D32/40
5,419,015	A *	5/1995	Garcia	15/228
5,507,065	A *	4/1996	McBride et al.	15/228
5,678,278	A	10/1997	McBride et al.	15/228
D386,851	S *	11/1997	Levine	D32/40
D403,820	S	1/1999	Chang	32/50
D423,157	S *	4/2000	Hodges	D32/40

6,058,552	A	5/2000	Hanan	15/228
6,148,465	A	11/2000	Hsich et al.	13/257
6,305,046	B1 *	10/2001	Kingry et al.	15/231
D457,994	S *	5/2002	Gomez et al.	D32/40
D461,028	S *	7/2002	Ng	D32/40
6,651,290	B2 *	11/2003	Kingry et al.	15/231
2006/0248673	A1	11/2006	Piscane	15/228
2006/0248674	A1	11/2006	Piscane	15/244.3

* cited by examiner

Primary Examiner—Pamela J. Burgess

(74) *Attorney, Agent, or Firm*—Leydig, Voit & Mayer, Ltd.

(57) **CLAIM**

An ornamental design for a mop head, as shown and described.

DESCRIPTION

FIG. 1 is a perspective view of the mop head illustrating top, side and end surfaces;

FIG. 2 is a top plan view of the mop head;

FIG. 3 is a view illustrating a lateral side of the mop head;

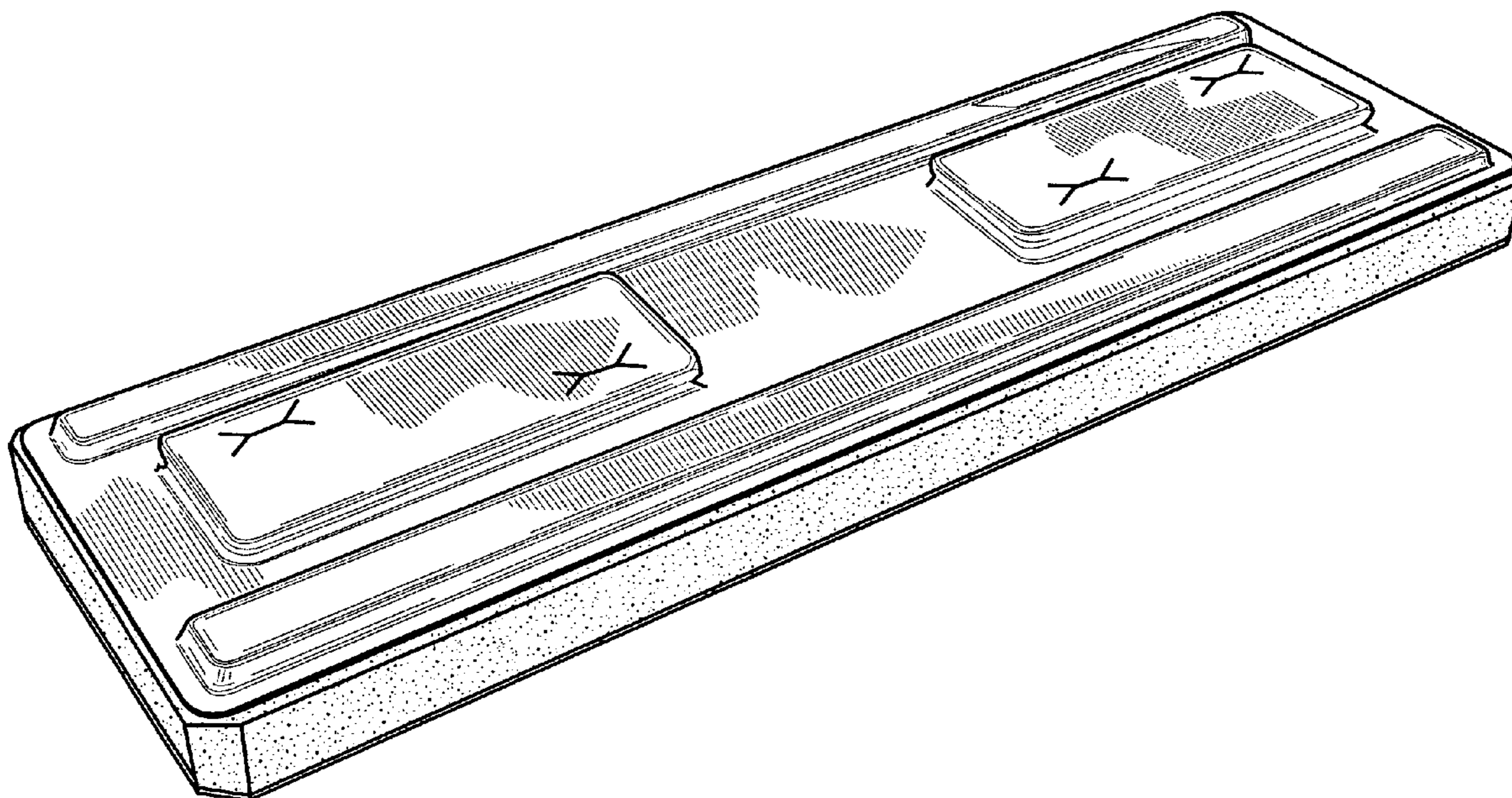
FIG. 4 is a bottom plan view of the mop head;

FIG. 5 is a view illustrating a lateral side of the mop head opposing the lateral side of FIG. 3;

FIG. 6 is a view illustrating one end surface of the mop head; and,

FIG. 7 is a view illustrating the end surface opposing the end surface of FIG. 6.

1 Claim, 4 Drawing Sheets



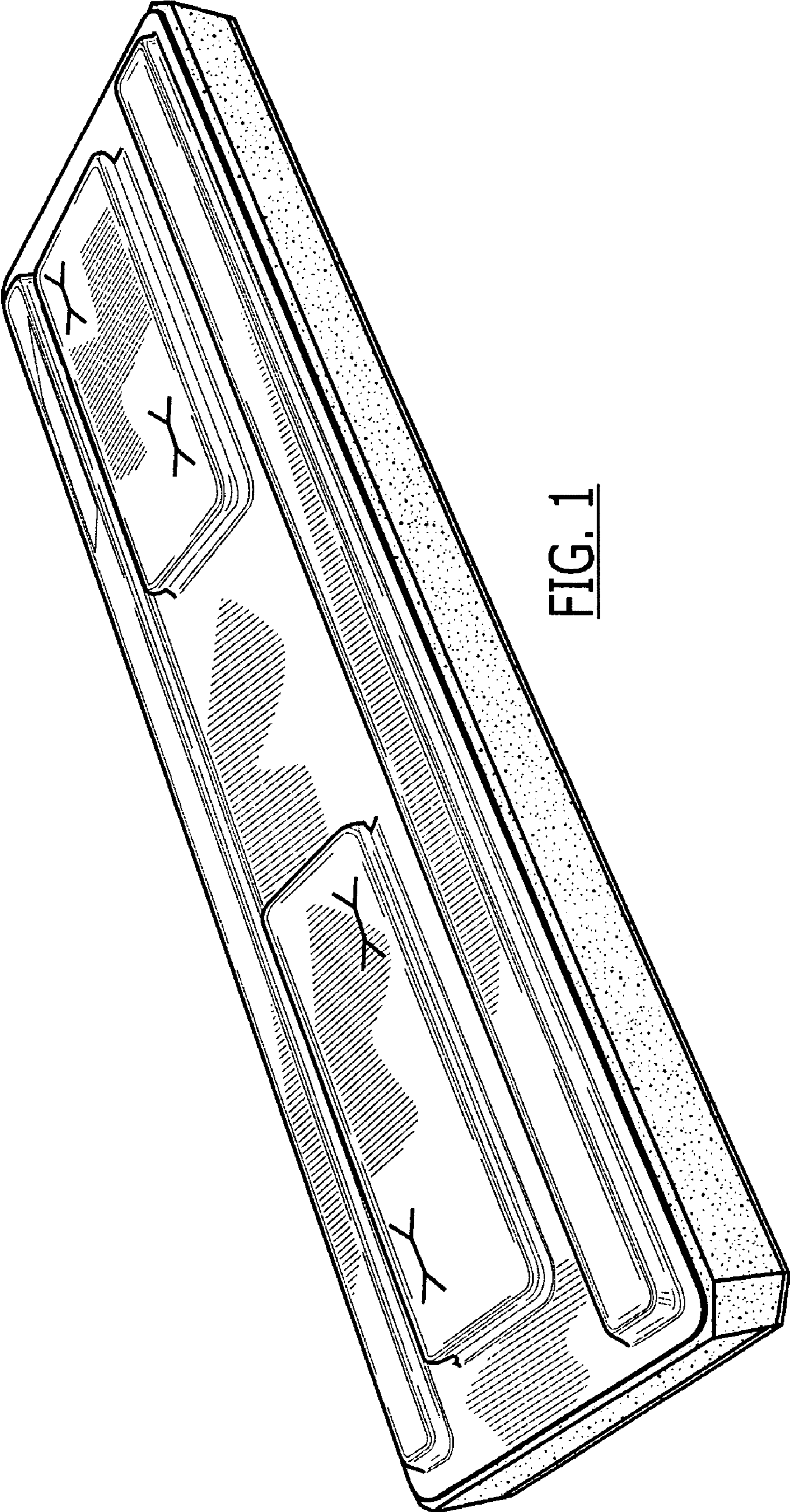


FIG. 1

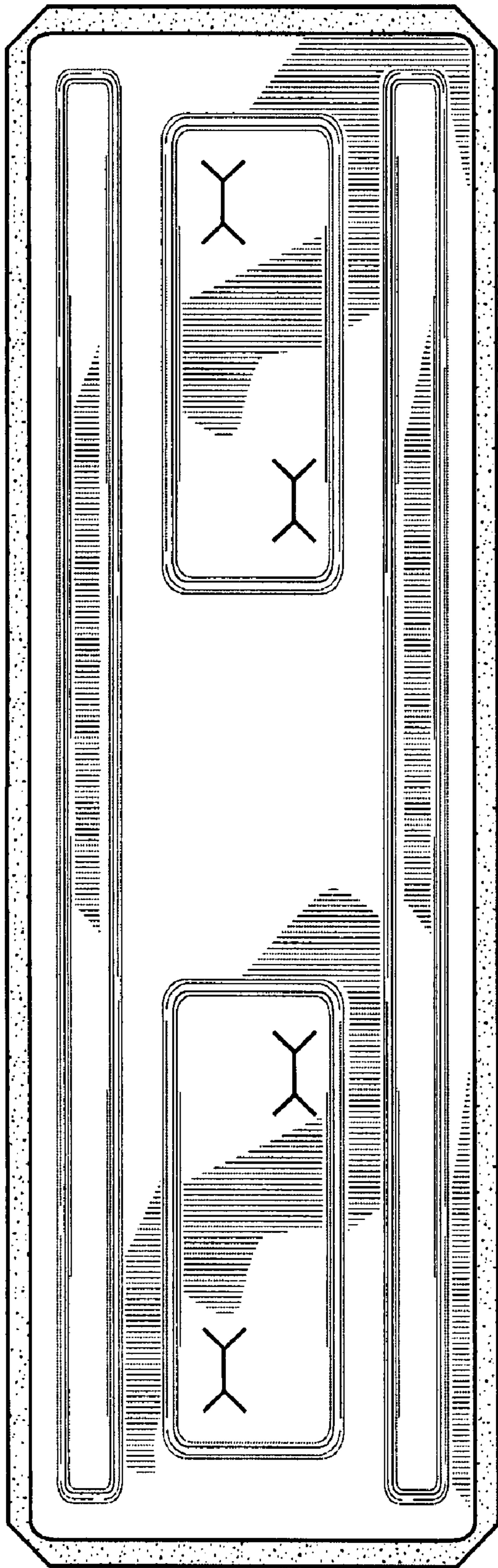


FIG. 2

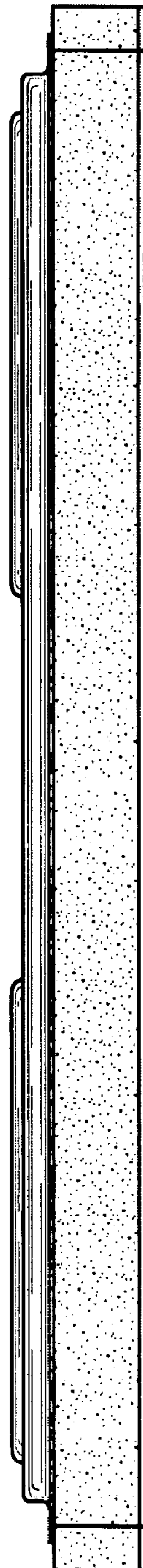


FIG. 3

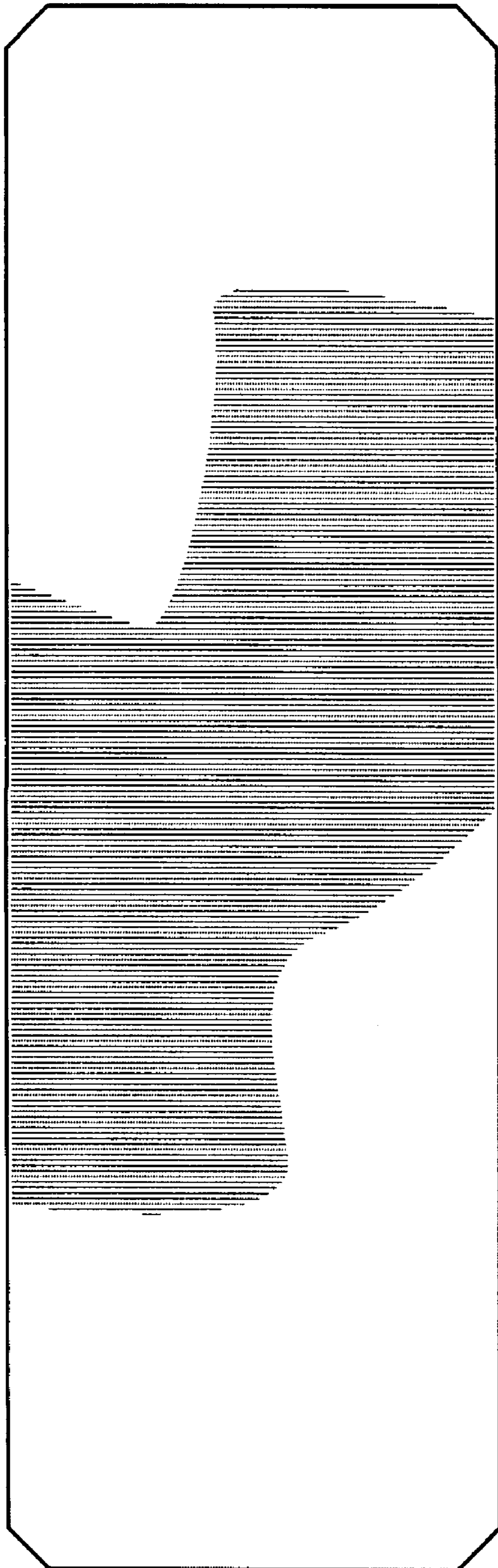


FIG. 4

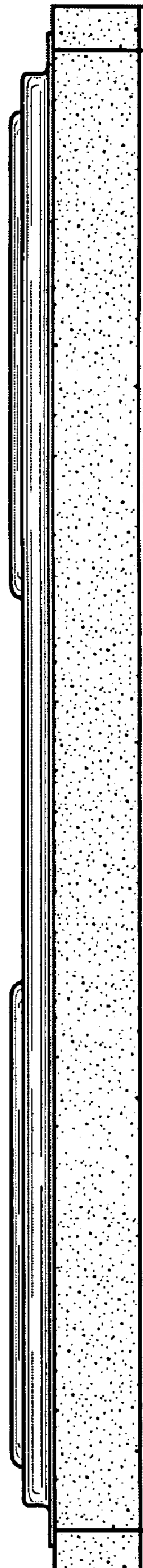


FIG. 5

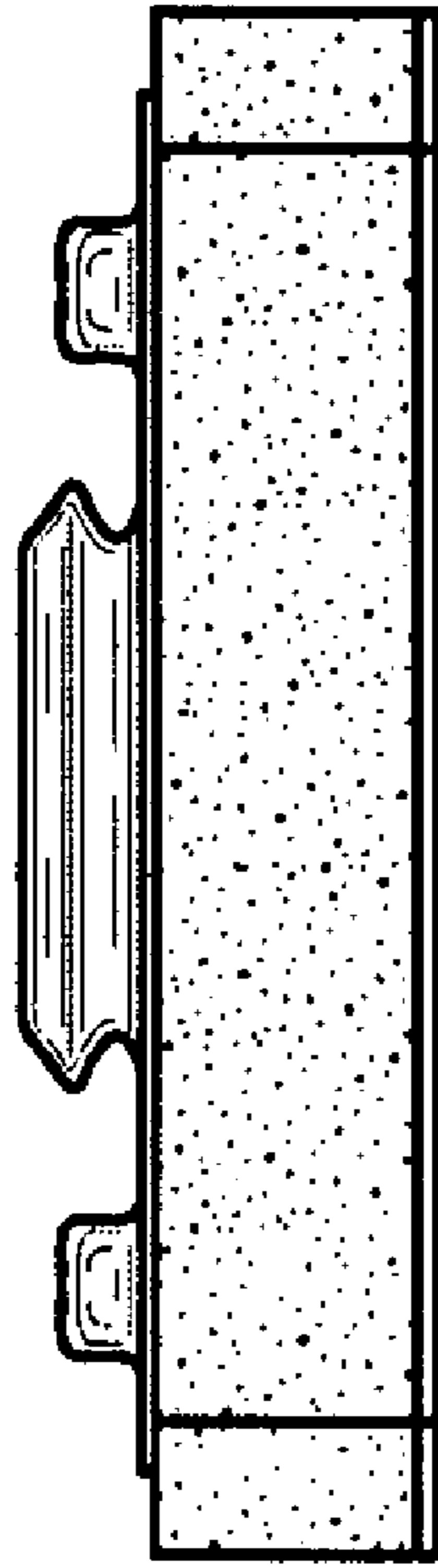


FIG. 6

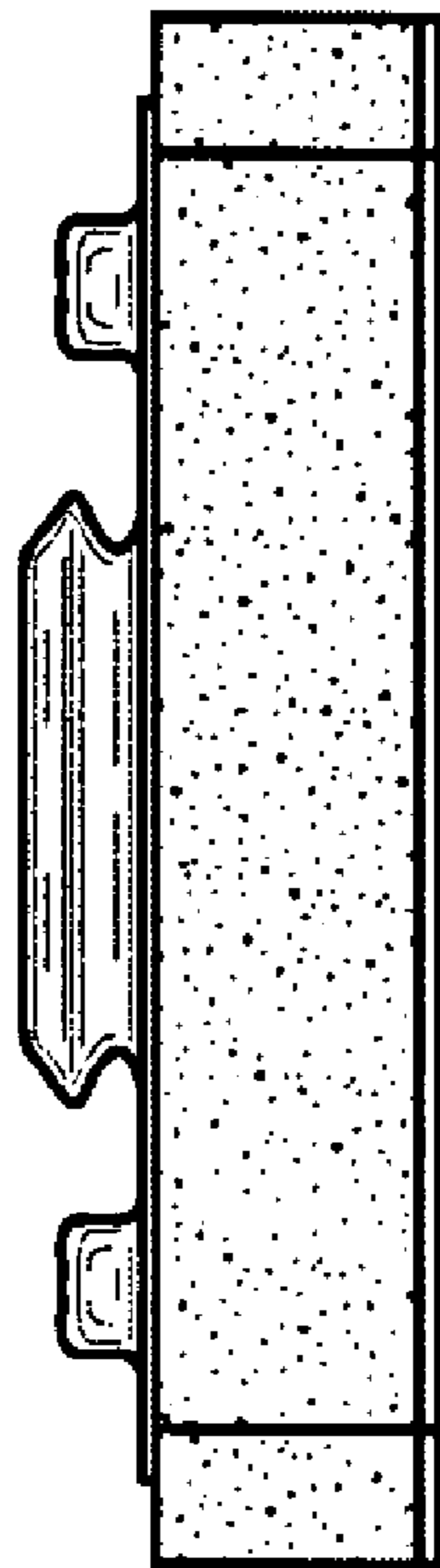


FIG. 7