



US00D566915S

(12) **United States Design Patent**
Konno et al.

(10) **Patent No.:** **US D566,915 S**
(45) **Date of Patent:** **** Apr. 15, 2008**

(54) **NOZZLE FOR ELECTRIC VACUUM CLEANER**

(75) Inventors: **Kiyooki Konno**, Osaka (JP); **Masakazu Umeda**, Osaka (JP); **Syuuichi Hosoda**, Osaka (JP); **Taro Iike**, Osaka (JP); **Morgan Brown**, Danville, KY (US)

(73) Assignee: **Matsushita Electric Industrial Co., Ltd.**, Kadoma-shi (JP)

(**) Term: **14 Years**

(21) Appl. No.: **29/277,480**

(22) Filed: **Feb. 27, 2007**

(51) **LOC (8) Cl.** **15-05**

(52) **U.S. Cl.** **D32/32**

(58) **Field of Classification Search** 15/321-322, 15/325, 329, 340.3, 89, 340.4, 90, 344, 361, 15/350-351, 362, 412, 246.2, 250; D32/21-23, D32/31-34, 38-39

See application file for complete search history.

(56) **References Cited**

U.S. PATENT DOCUMENTS

5,551,120	A *	9/1996	Cipolla et al.	15/333
D423,741	S	4/2000	Sato	
D431,698	S	10/2000	Hoshide	
D462,816	S	9/2002	Rosa	
6,571,425	B2 *	6/2003	Vystrcil et al.	15/412
D485,026	S	1/2004	Brown	
D487,827	S	3/2004	Iike	
D487,828	S	3/2004	Iike	
D487,948	S	3/2004	Kent	
D498,029	S	11/2004	Downey	
D499,850	S	12/2004	Leyden	

D506,047	S	6/2005	Alford	
D506,048	S	6/2005	Downey	
D508,153	S *	8/2005	Alford et al.	D32/32
D510,465	S *	10/2005	Takahashi et al.	D32/22
D515,757	S *	2/2006	Leyden	D32/32
D516,760	S *	3/2006	Choi	D32/22
D519,250	S *	4/2006	Leyden	D32/22
D521,199	S	5/2006	Leyden	
D533,697	S *	12/2006	Ikeno et al.	D32/22
D535,071	S *	1/2007	Choi	D32/22
D541,498	S *	4/2007	Moine et al.	D32/32
D544,663	S *	6/2007	Medema et al.	D32/32
D553,314	S *	10/2007	Parr et al.	D32/32

* cited by examiner

Primary Examiner—Sandra Snapp

(74) *Attorney, Agent, or Firm*—Christensen O'Connor Johnson Kindness PLLC

(57) **CLAIM**

The ornamental design for a nozzle for electric vacuum cleaner, as shown and described.

DESCRIPTION

FIG. 1 is a perspective view of the top, front and right side of a nozzle for electric vacuum cleaner showing our new design;

FIG. 2 is a front view thereof;

FIG. 3 is a top plan view thereof;

FIG. 4 is a left side view thereof;

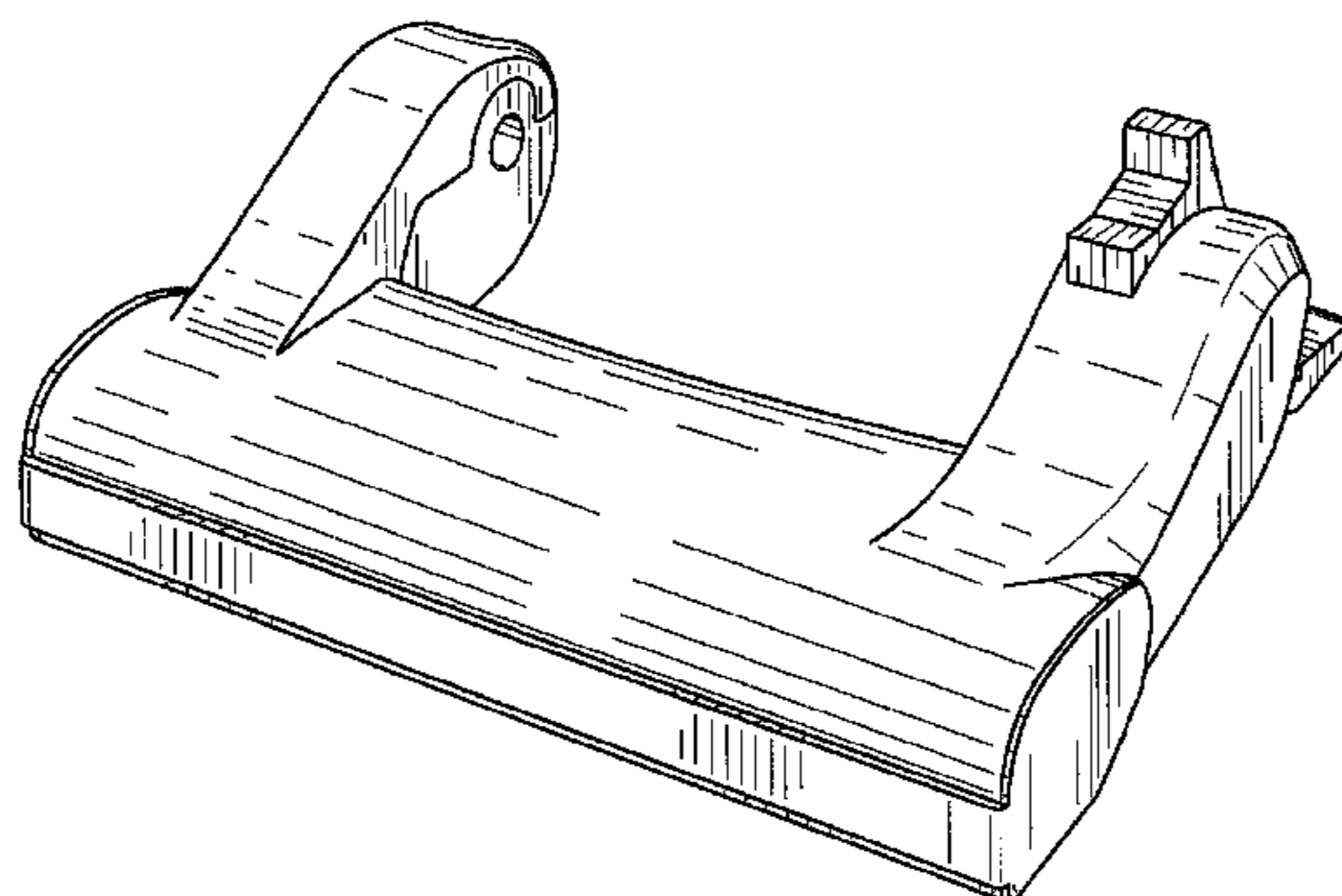
FIG. 5 is a right side view thereof;

FIG. 6 is a rear view thereof; and,

FIG. 7 is a bottom view thereof.

1 Claim, 4 Drawing Sheets

斜視圖
Reference View



斜視図
Reference View

FIG.1

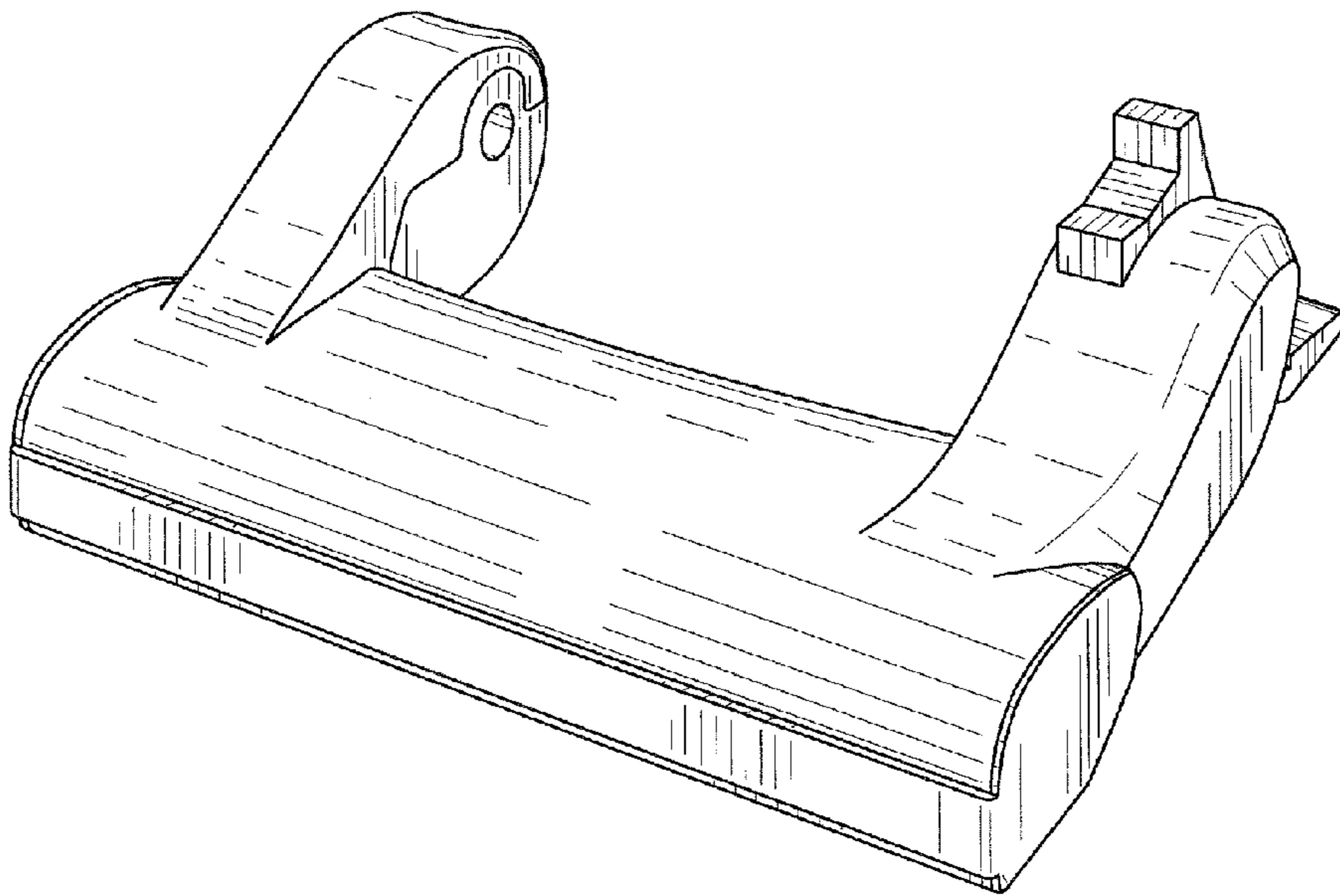


FIG.2

正面図
Front View

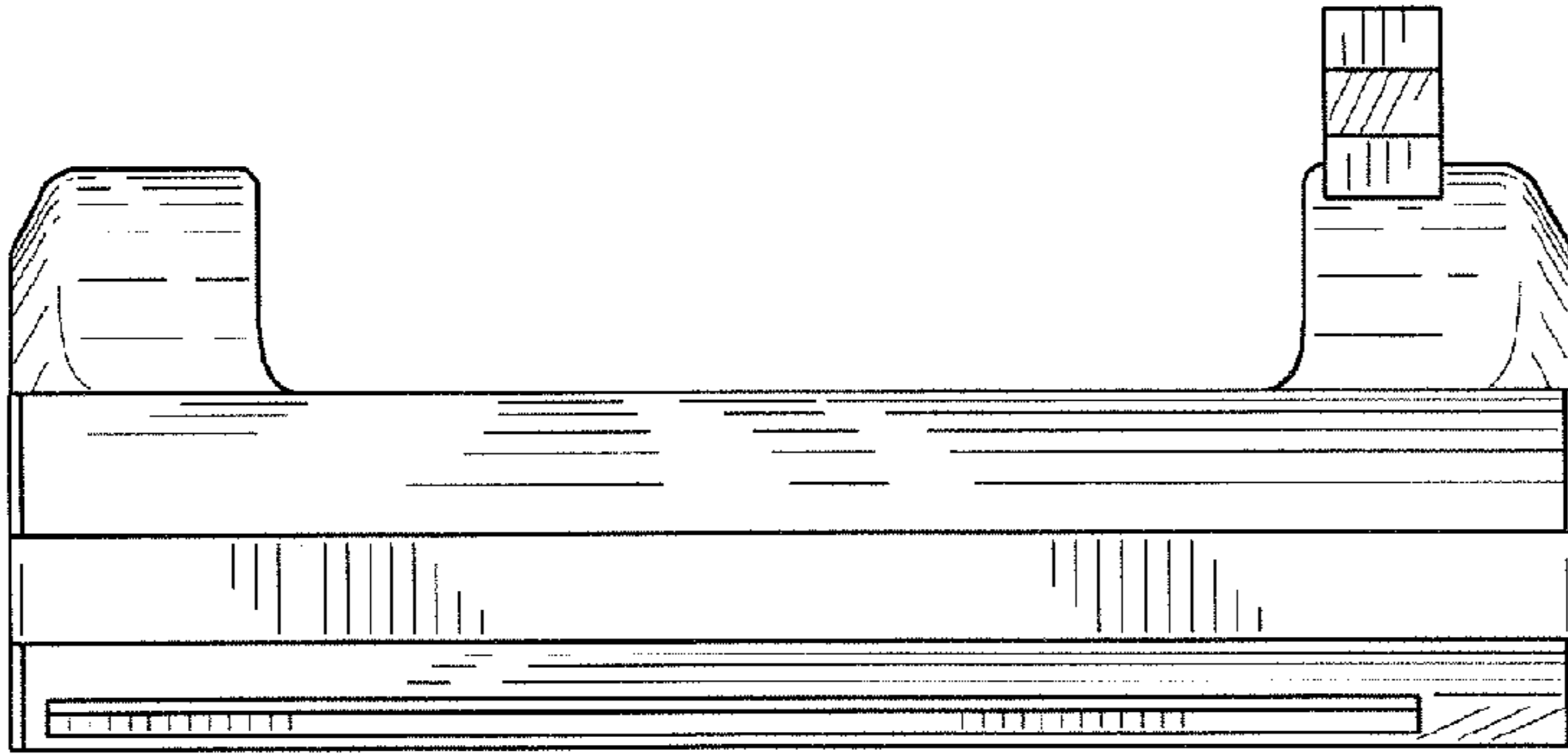


FIG.3

平面図
Top View

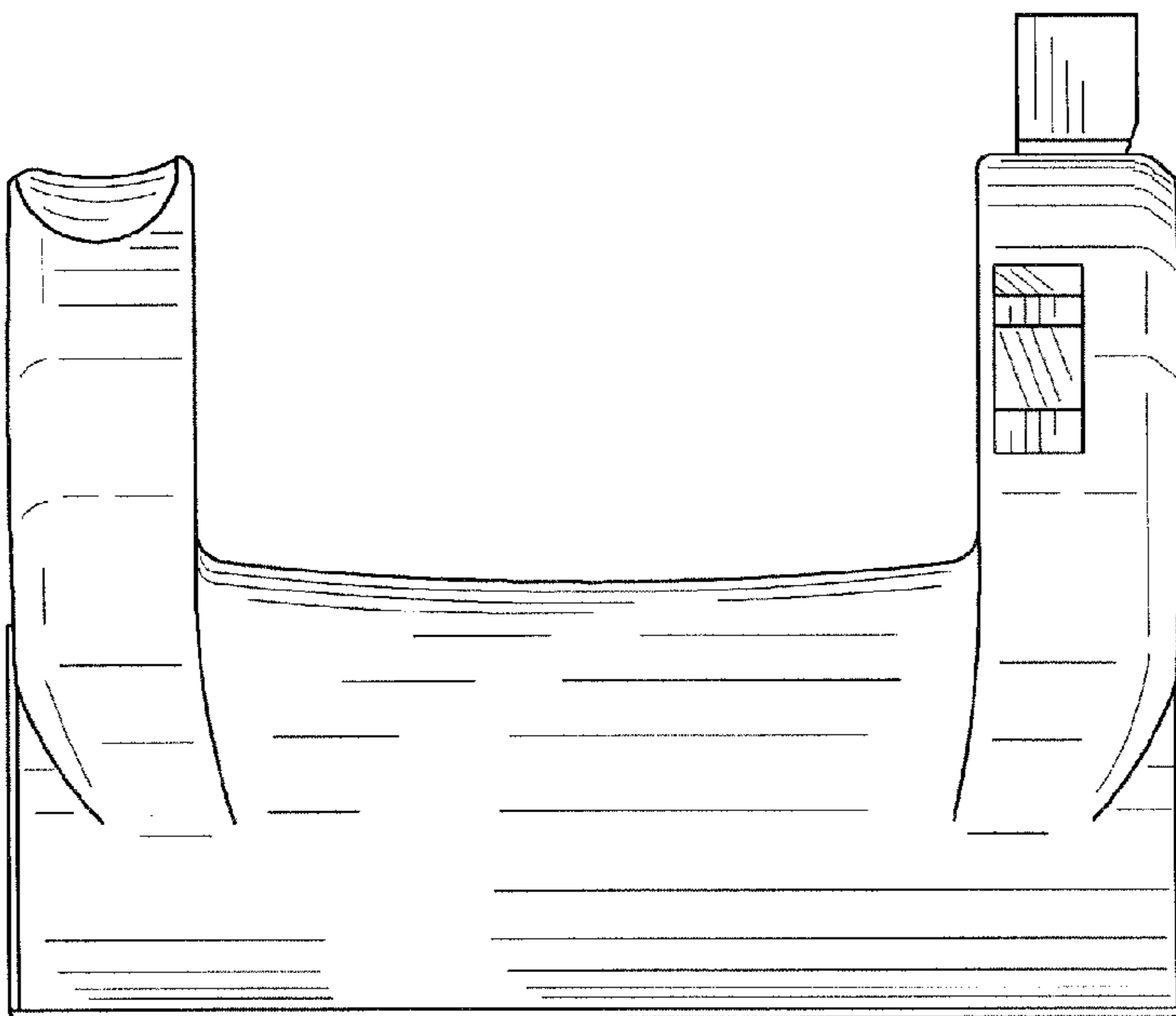


FIG.4

左側面図
Left Side View

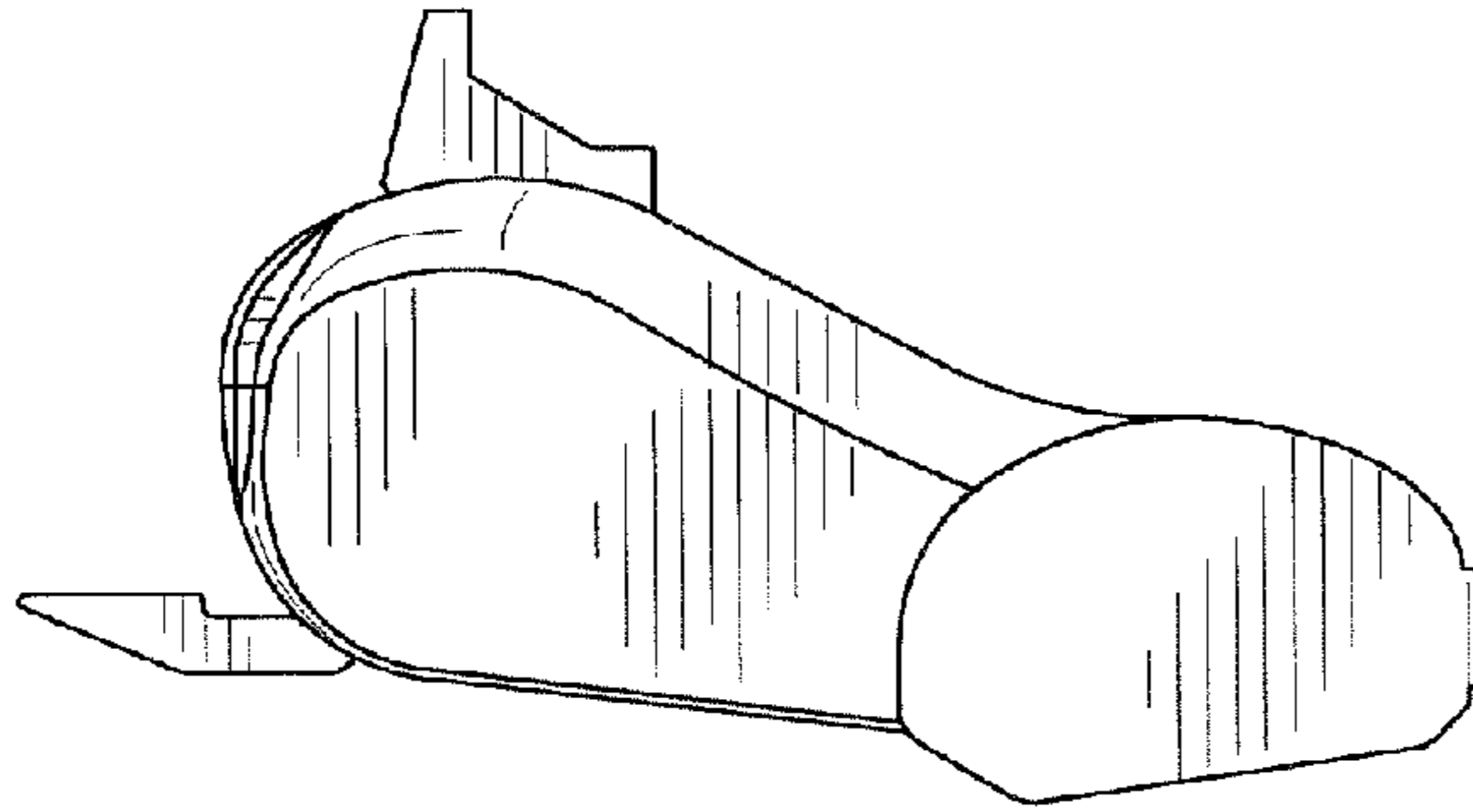


FIG.5

右側面図
Right Side View

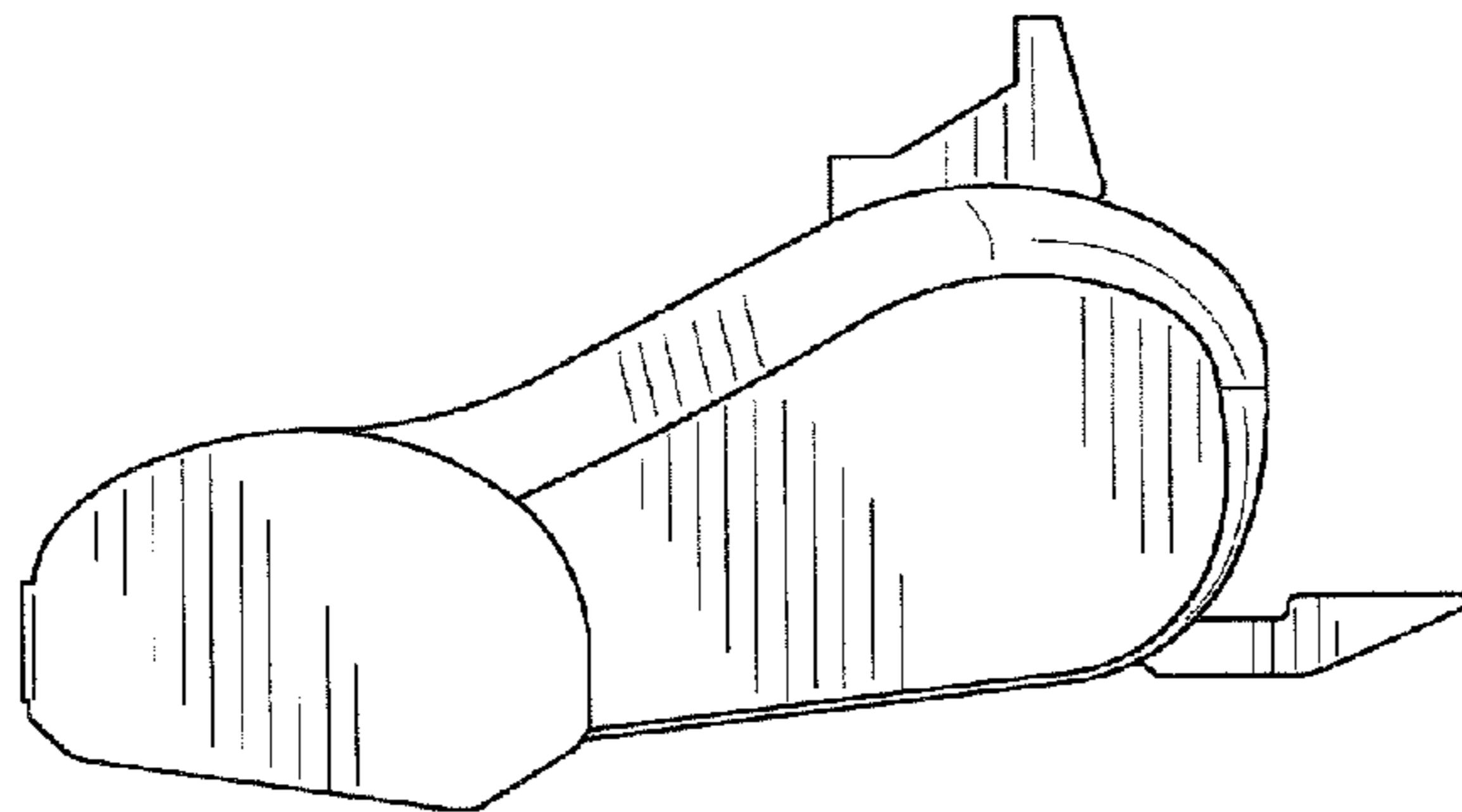


FIG.6

背面図
Rear View

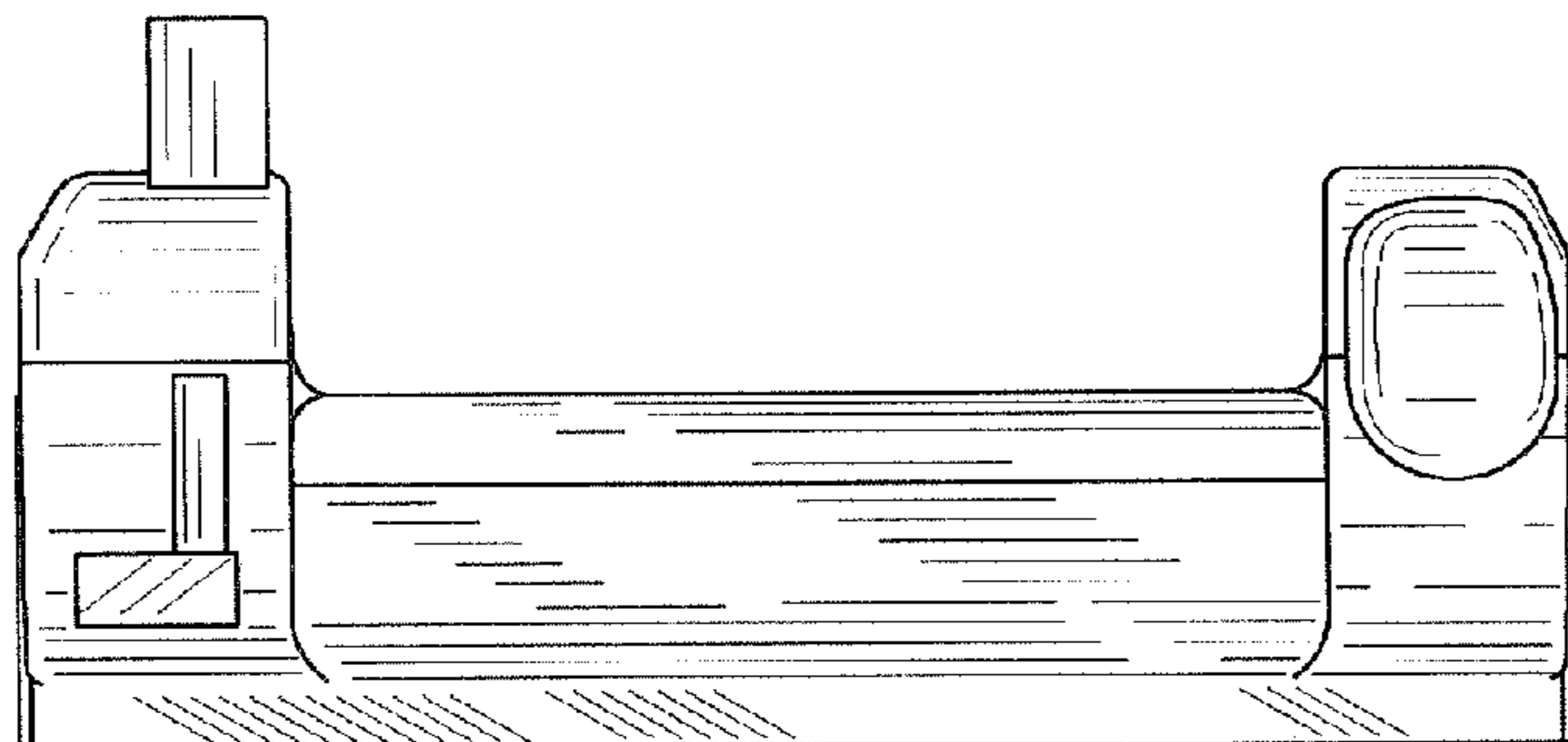


FIG. 7

底面図
Bottom View

