



US00D566912S

(12) **United States Design Patent**
Reick-Mitrisin et al.

(10) **Patent No.: US D566,912 S**
(45) **Date of Patent: ** Apr. 15, 2008**

(54) **VACUUM SYSTEM**

(75) Inventors: **Christian Reick-Mitrisin**, Liberty Township, OH (US); **Robert K. Hasty**, Union, KY (US); **Tom Remm**, Milford, OH (US); **Gordon Thomas**, Mason, OH (US)

(73) Assignee: **Broan-NuTone LLC**, Hartford, WI (US)

(**) Term: **14 Years**

(21) Appl. No.: **29/269,658**

(22) Filed: **Dec. 6, 2006**

Related U.S. Application Data

(63) Continuation of application No. 29/221,057, filed on Jan. 10, 2005, now Pat. No. Des. 534,697.

(51) **LOC (8) Cl. 15-05**

(52) **U.S. Cl. D32/21**

(58) **Field of Classification Search** D32/21-23, D32/31, 34; 15/320-321, 327.1, 327.2, 323, 15/329, 334-335, 347, 350, 351, 353, 361, 15/410-411, DIG. 10, 326, 314, 412; 55/346, 55/DIG. 3, 459.1, 337, 429; 95/271

See application file for complete search history.

(56) **References Cited**

U.S. PATENT DOCUMENTS

2,253,310 A	8/1941	Smellie	
2,884,185 A	4/1959	Dolan	
D205,759 S *	9/1966	Mers D32/21
3,358,316 A	12/1967	Okun	
3,570,809 A	3/1971	Stuy	
3,882,961 A	5/1975	Cannan et al.	
4,015,683 A	4/1977	Williams	
4,114,231 A	9/1978	Nauta	
4,231,133 A	11/1980	Probost	
4,241,720 A	12/1980	Kitchen	
4,280,245 A	7/1981	Hiester	
4,330,899 A	5/1982	Miller et al.	

4,356,591 A	11/1982	Lude	
4,361,928 A	12/1982	Schulz	
4,435,877 A	3/1984	Berfield	
4,651,380 A	3/1987	Ogden	
4,662,910 A	5/1987	Lieb	
4,665,581 A	5/1987	Oberdorfer	
4,718,924 A	1/1988	DeMarco	
D294,187 S *	2/1988	Bertuzzo D32/21
4,759,422 A	7/1988	Belley	
4,786,299 A	11/1988	DeMarco	
4,938,309 A	7/1990	Emdy	
5,035,586 A	7/1991	Sadler et al.	
5,267,371 A *	12/1993	Soler et al. 15/327.5

(Continued)

FOREIGN PATENT DOCUMENTS

CA 1285886 7/1991

(Continued)

OTHER PUBLICATIONS

Website advertisement entitled "Central Vacuum Stores", visited Mar. 22, 2004.

Primary Examiner—Ruth McInroy

(74) *Attorney, Agent, or Firm*—Michael Best & Friedrich LLP

(57) **CLAIM**

The ornamental design for a vacuum system, as shown and described.

DESCRIPTION

FIG. 1 is a perspective view of a vacuum system showing our new design;

FIG. 2 is a front view thereof;

FIG. 3 is a rear view thereof;

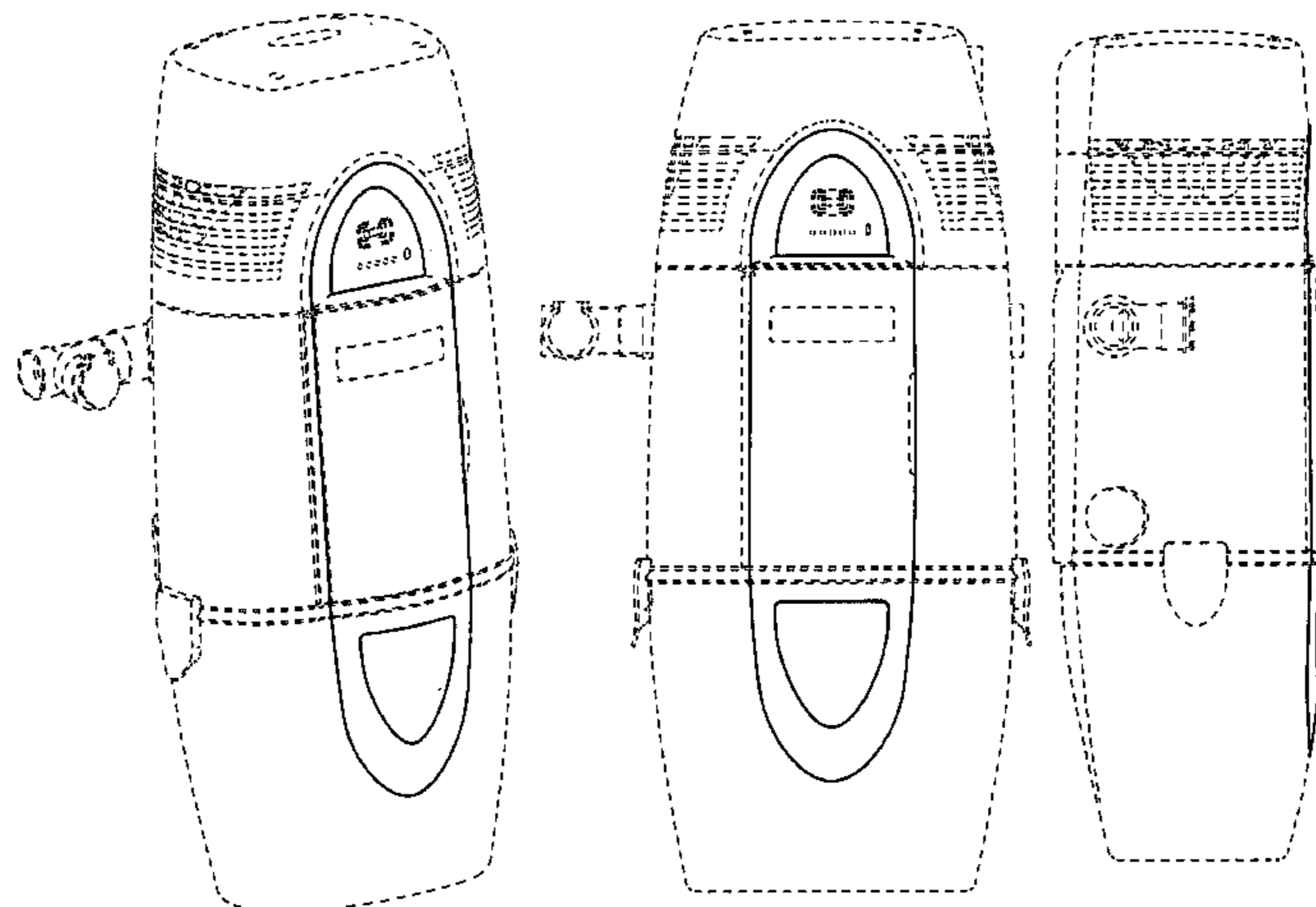
FIG. 4 is a left side view thereof;

FIG. 5 is a right side view thereof;

FIG. 6 is a top view thereof; and,

FIG. 7 is a bottom view thereof.

1 Claim, 5 Drawing Sheets



US D566,912 S

Page 2

U.S. PATENT DOCUMENTS

D349,369 S 8/1994 Adams
5,353,469 A 10/1994 Fellhauer
5,400,463 A 3/1995 Attard et al.
5,471,707 A 12/1995 Kang
5,720,074 A 2/1998 Lee
5,737,797 A 4/1998 Rittmueller et al.
5,774,930 A 7/1998 Sommer et al.
D398,426 S * 9/1998 Bisson D32/21
5,813,085 A 9/1998 Fritz et al.
5,926,908 A 7/1999 Lindsay, Jr.
6,014,791 A 1/2000 Nosenchuck
6,052,863 A 4/2000 Rittmueller et al.
6,077,032 A 6/2000 Wolfe, Jr. et al.
6,094,774 A 8/2000 Larsen et al.
D446,365 S * 8/2001 Bisson D32/21
6,363,574 B2 4/2002 Worden et al.

D459,039 S * 6/2002 Bisson D32/21
D506,298 S * 6/2005 Schmitt D32/21
D518,927 S * 4/2006 Rupp et al. D32/21
D534,697 S * 1/2007 Reick-Mitrisin et al. D32/21
D537,580 S * 2/2007 Zimmerle et al. D32/21
D537,582 S * 2/2007 Zimmerle et al. D32/21
D537,583 S * 2/2007 Crevling et al. D32/21
2002/0178531 A1 12/2002 Plomteux et al.
2003/0132634 A1 7/2003 Biere et al.
2006/0150360 A1 * 7/2006 Reick-Mitrisin et al. 15/314

FOREIGN PATENT DOCUMENTS

DE 19739613 3/1998
GB 2312159 10/1997
WO 9939621 8/1999

* cited by examiner

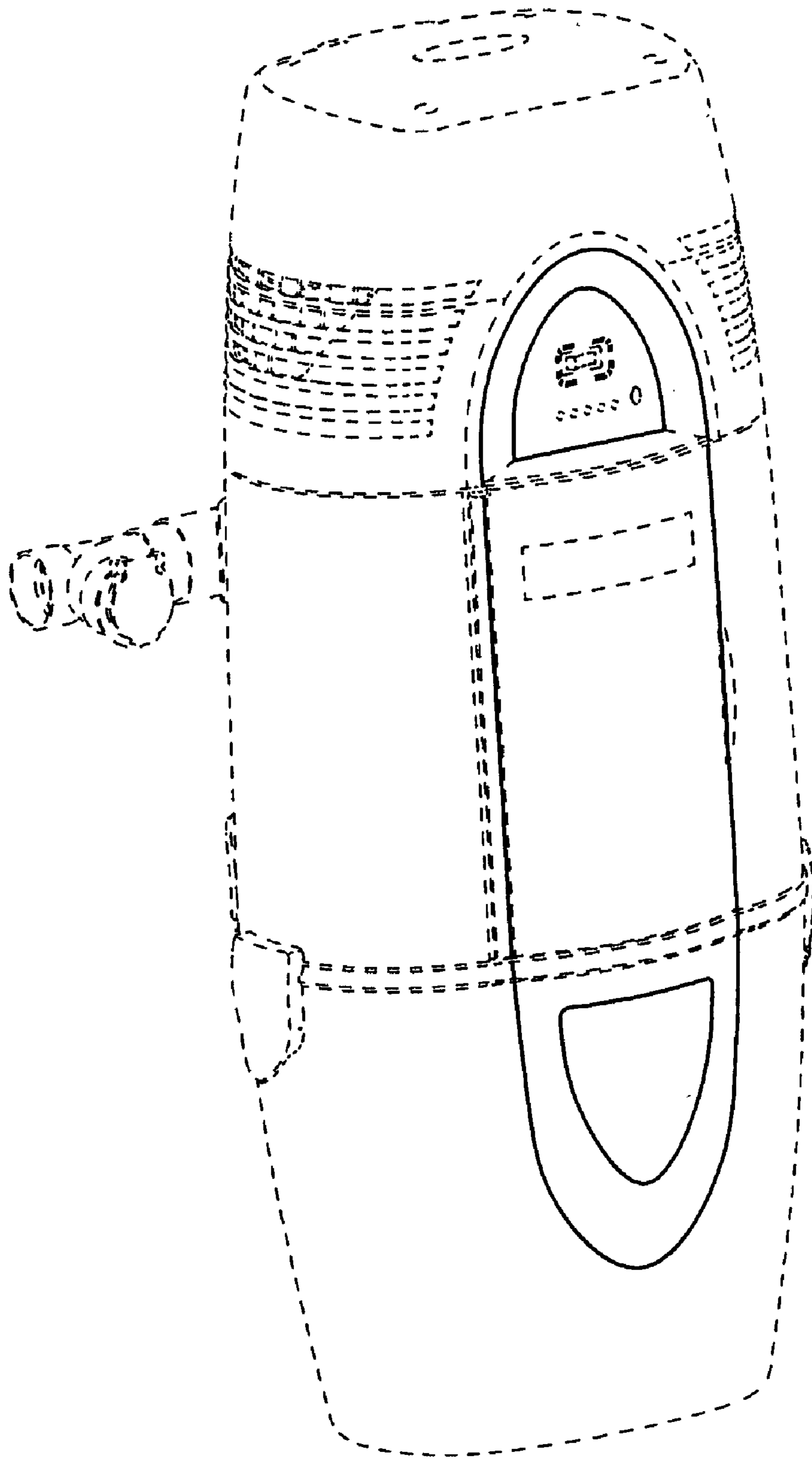


FIG. 1

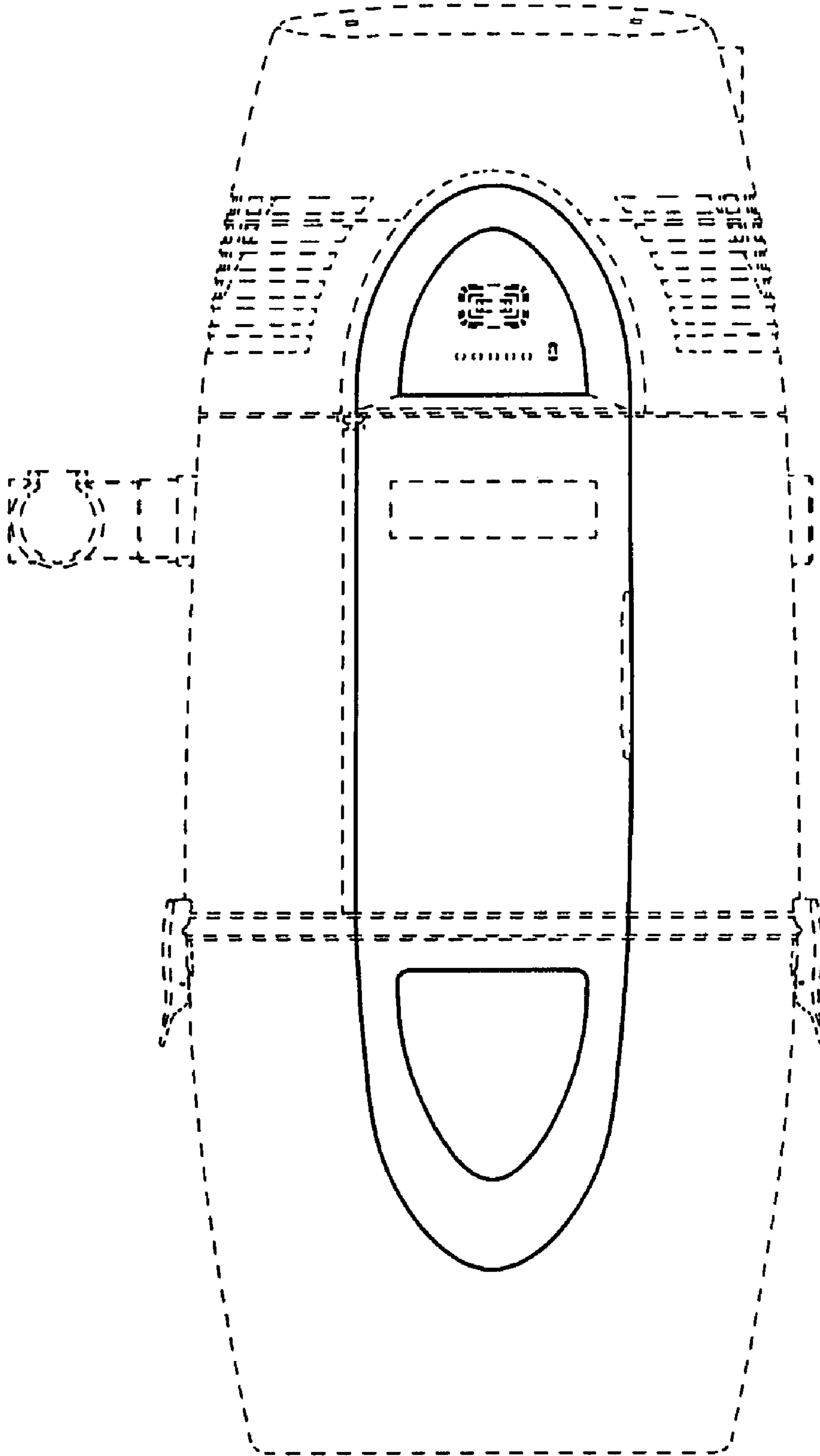


FIG. 2

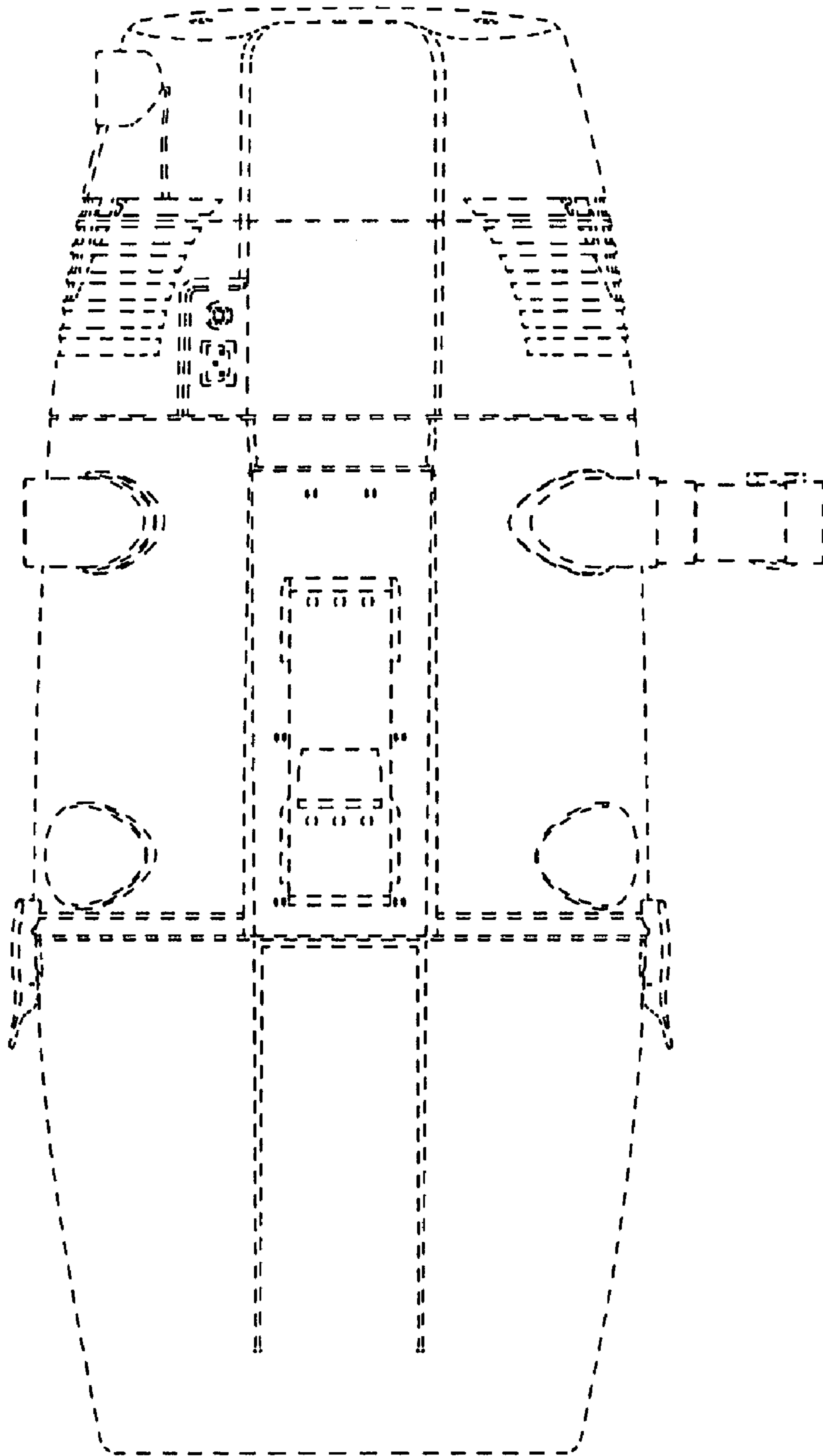


FIG. 3

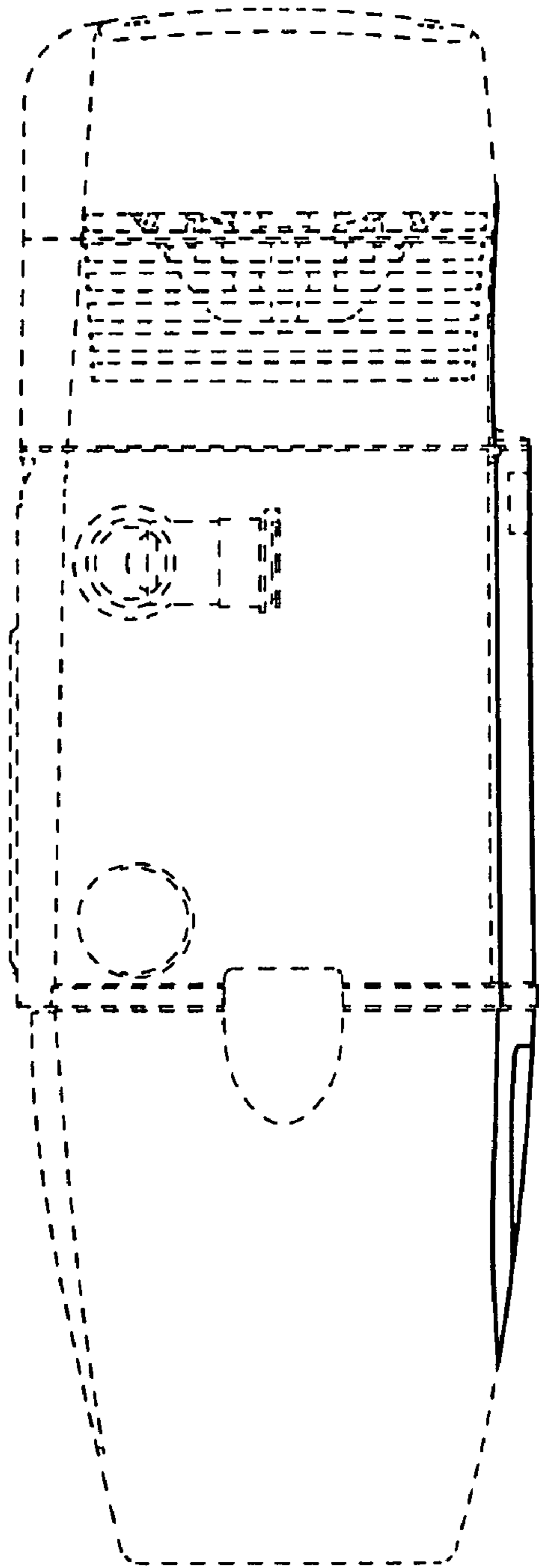


FIG. 4

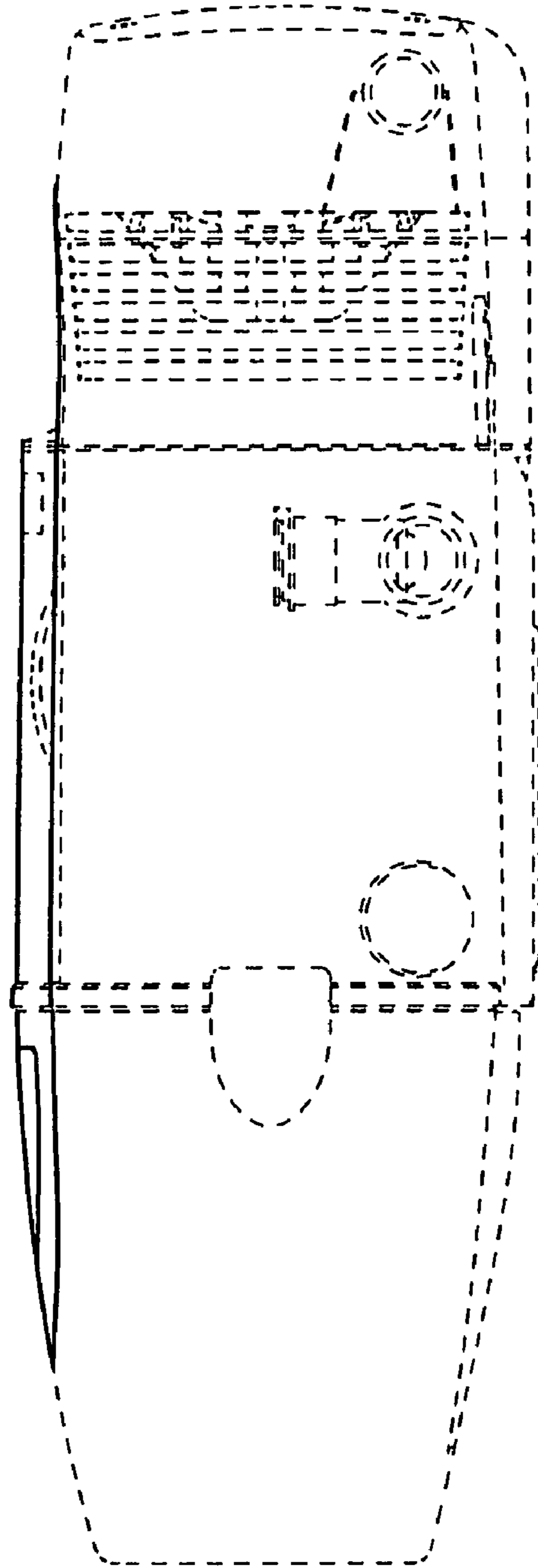


FIG. 5

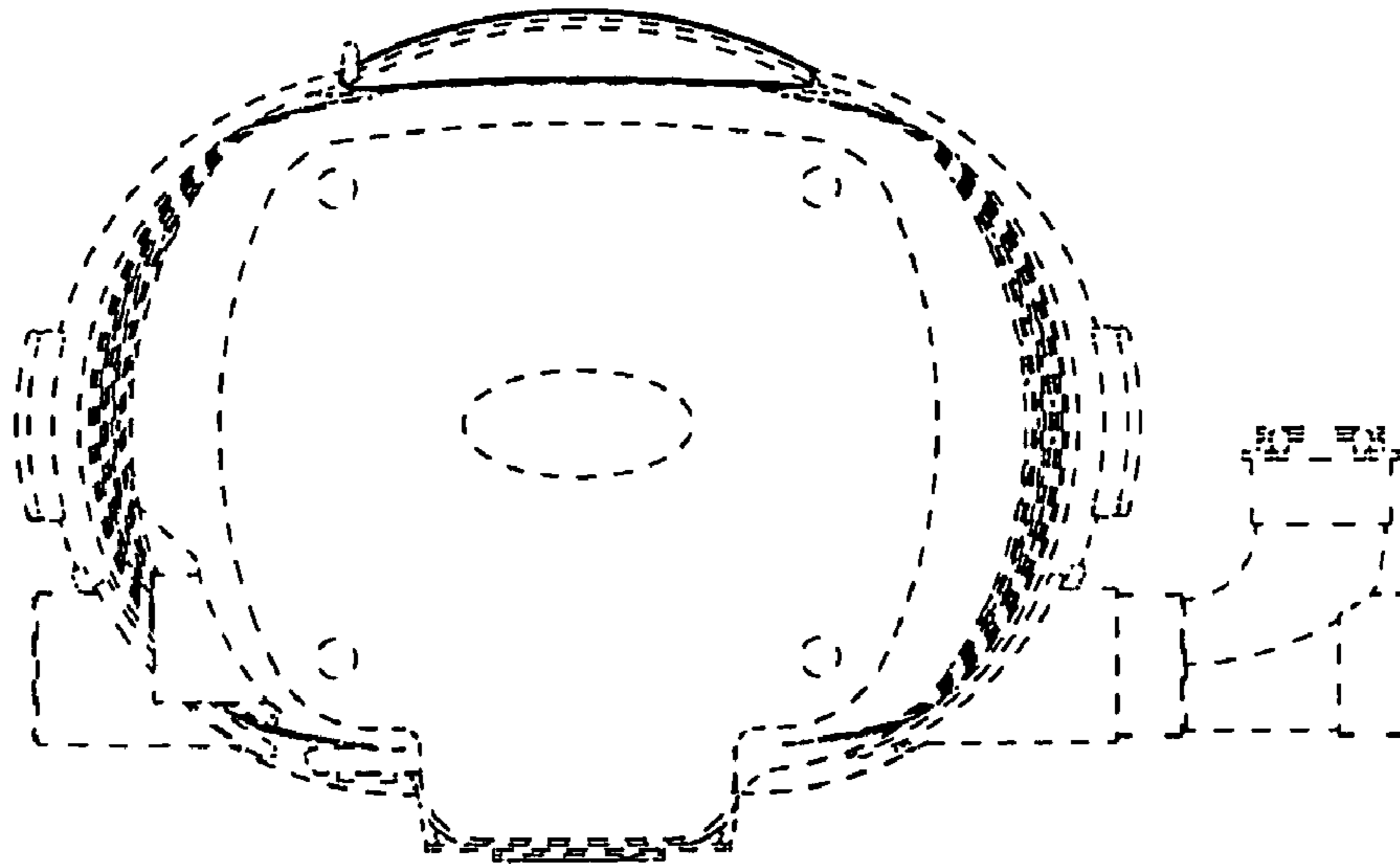


FIG. 6

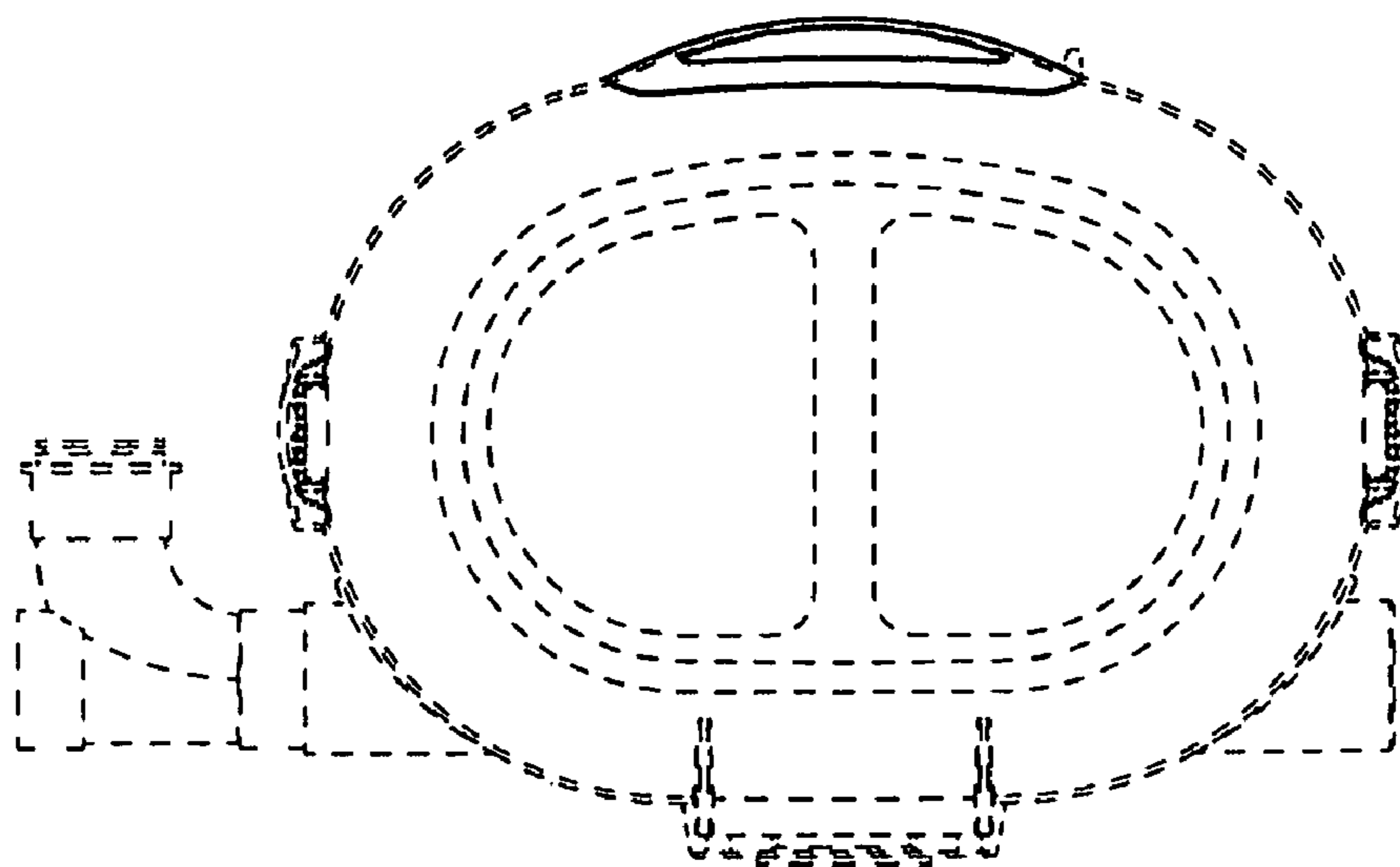


FIG. 7