



US00D566911S

(12) **United States Design Patent**  
**Wissmann**

(10) **Patent No.:** **US D566,911 S**

(45) **Date of Patent:** **\*\* Apr. 15, 2008**

(54) **DEVICE FOR REMOVING WALLPAPER**

(75) Inventor: **Günter Wissmann**, Schenefeld (DE)

(73) Assignee: **J. Wagner GmbH**, Markdorf (DE)

(\*\*) Term: **14 Years**

(21) Appl. No.: **29/240,756**

(22) Filed: **Oct. 18, 2005**

(30) **Foreign Application Priority Data**

Apr. 18, 2005 (EM) ..... 000329933

(51) **LOC (8) Cl.** ..... **15-05**

(52) **U.S. Cl.** ..... **D32/15**

(58) **Field of Classification Search** ..... D32/1,  
D32/15, 16, 17; 15/321, 332; 134/198;  
392/384, 404; 219/227, 245, 258; 126/271.1,  
126/226; 38/77.6; 34/90-91  
See application file for complete search history.

(56) **References Cited**

**U.S. PATENT DOCUMENTS**

1,428,442	A *	9/1922	Lancaster	.....	126/271.1
4,855,568	A *	8/1989	Wilkins	.....	392/404
5,305,415	A *	4/1994	Stevens	.....	392/403
5,447,597	A *	9/1995	Zimmermann et al.	.....	156/584
D371,648	S *	7/1996	Zimmermann et al.	.....	D32/15
5,917,992	A *	6/1999	Zimmermann et al.	.....	392/404
D463,889	S *	10/2002	Buzzi	.....	D32/17
D496,504	S *	9/2004	Peters	.....	D32/24
2004/0111822	A1 *	6/2004	Syu	.....	15/321
2006/0272120	A1 *	12/2006	Barrick et al.	.....	15/321

\* cited by examiner

*Primary Examiner*—Louis S. Zarfes

*Assistant Examiner*—Kathleen Sims

(74) *Attorney, Agent, or Firm*—Pandiscio & Pandiscio

(57) **CLAIM**

The ornamental design for a device for removing wallpaper, as shown.

**DESCRIPTION**

FIG. 1 is a perspective view of a device for removing wallpaper, showing my new design;

FIG. 2 is a perspective view of a body portion of the device;

FIG. 3 is a right side elevational view of the body portion;

FIG. 4 is a left side elevational view of the body portion;

FIG. 5 is a front elevational view of the body portion;

FIG. 6 is a rear elevational view of the body portion;

FIG. 7 is a top plan view of the body portion;

FIG. 8 is a bottom plan view of the body portion;

FIG. 9 is a perspective view of a head portion of the device;

FIG. 10 is a right side elevational view of the head portion;

FIG. 11 is a left side elevational view of the head portion.

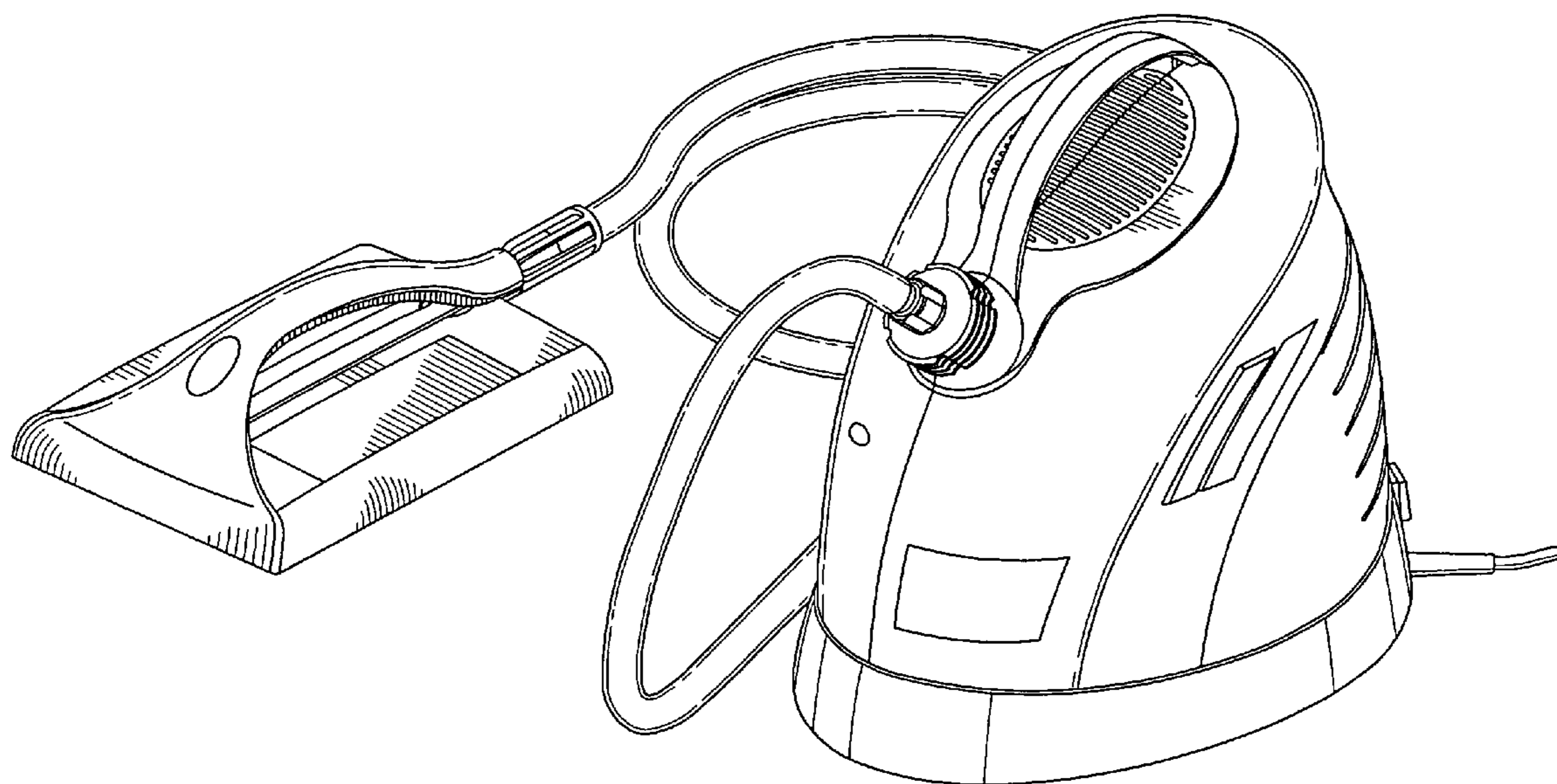
FIG. 12 is a front elevational view of the head portion;

FIG. 13 is a rear elevational view of the head portion;

FIG. 14 is a top plan view of the head portion; and,

FIG. 15 is a bottom plan view of the head portion.

**1 Claim, 15 Drawing Sheets**



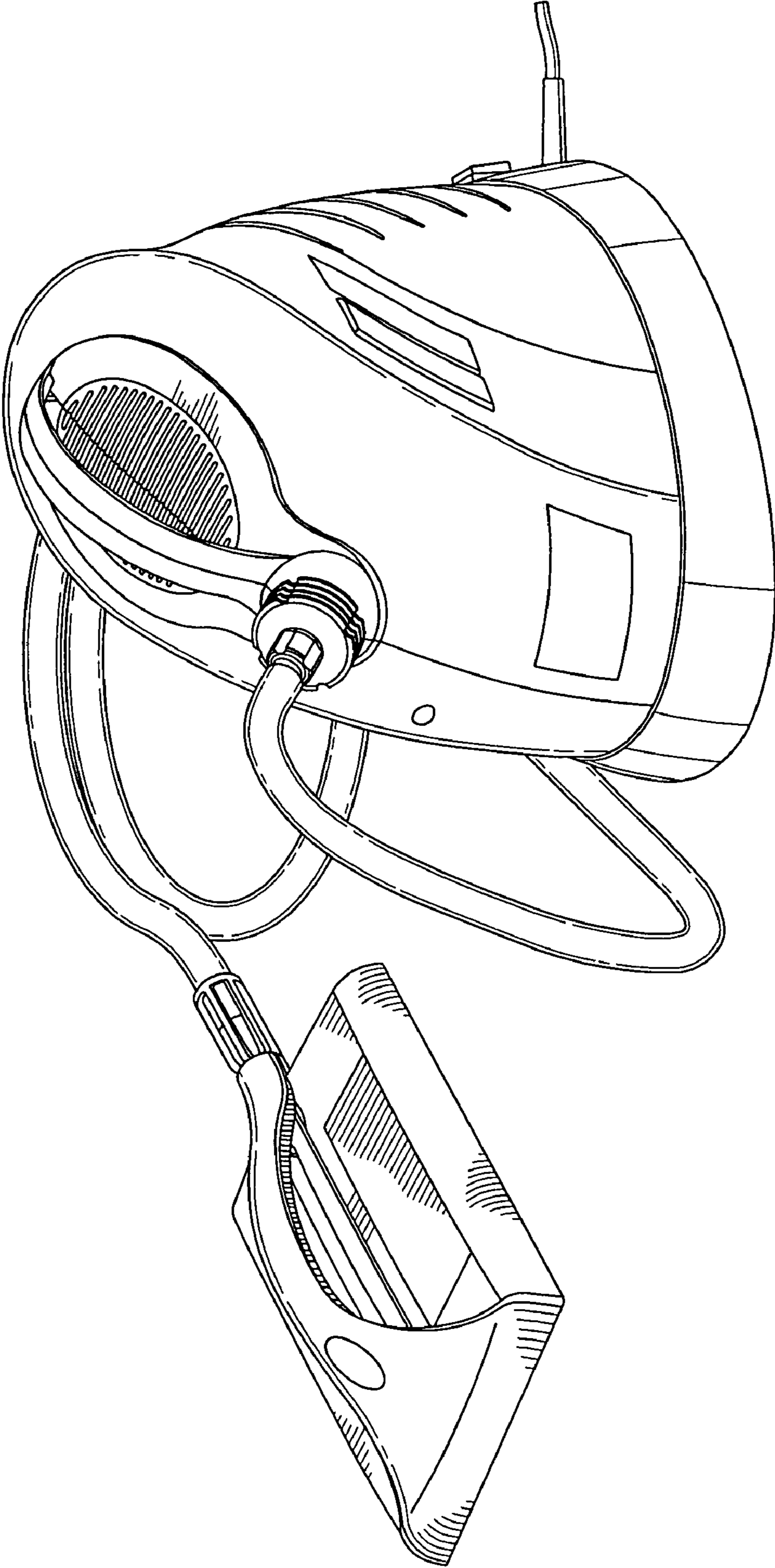


FIG. 1

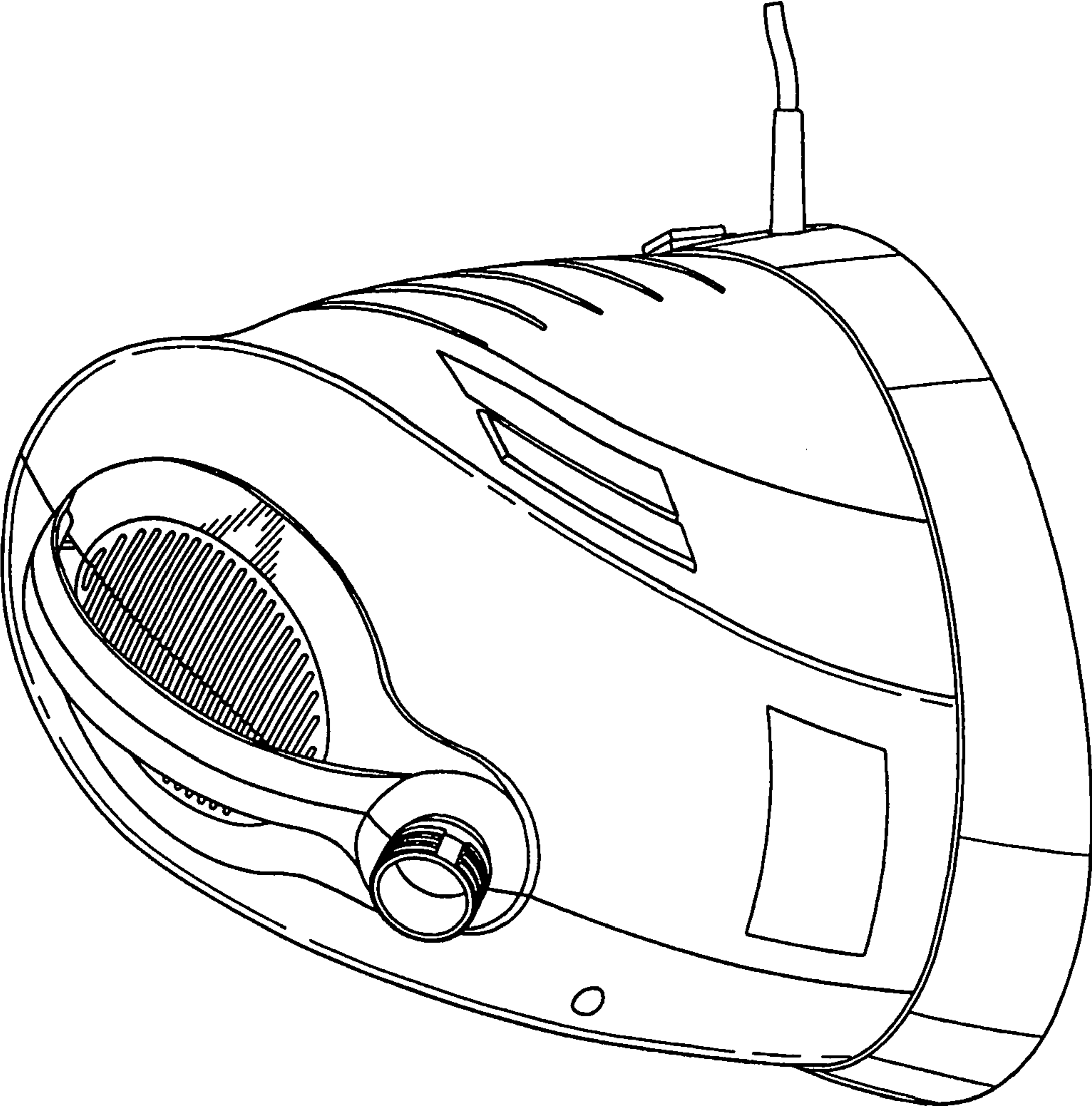


FIG. 2

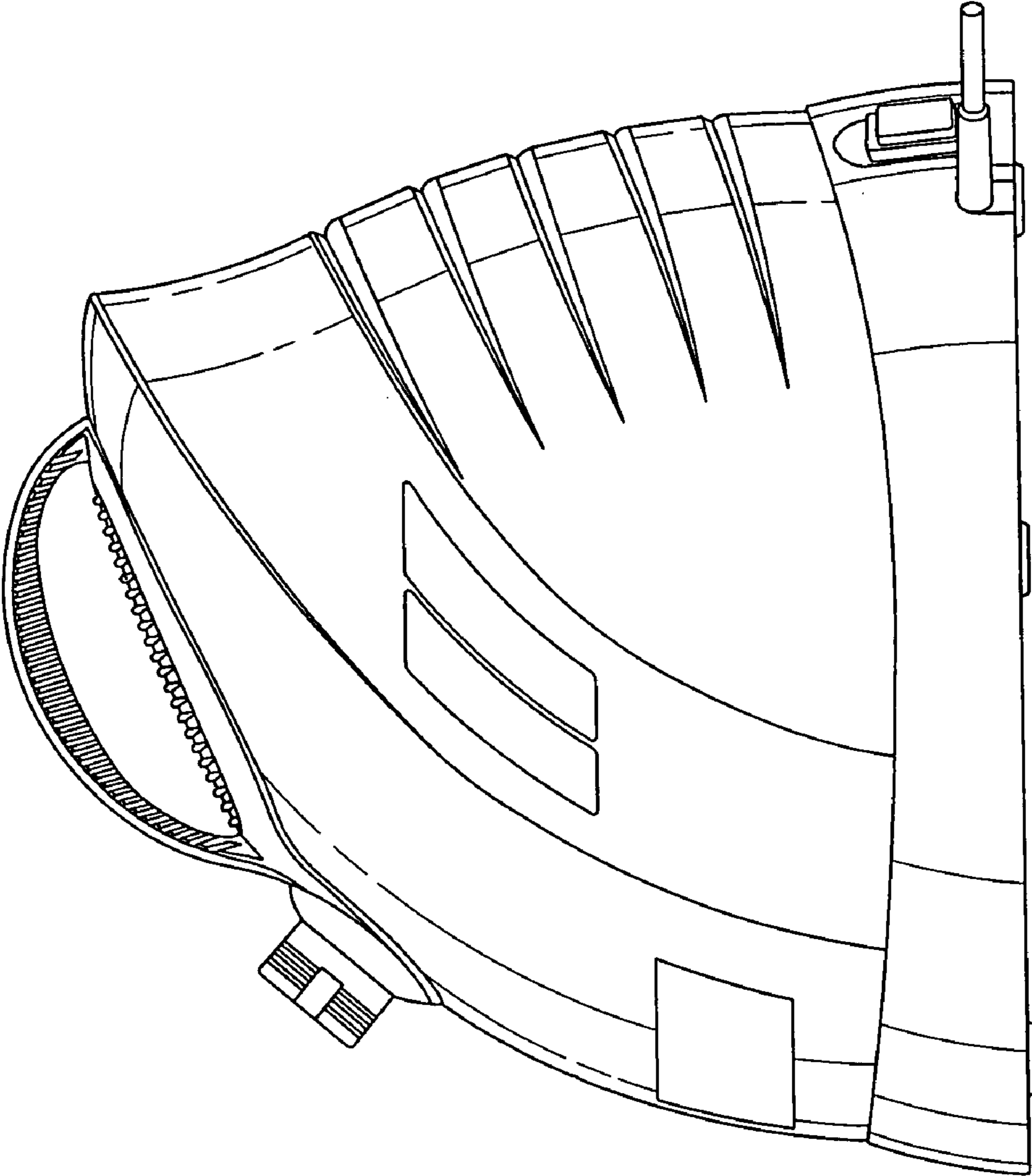


FIG. 3

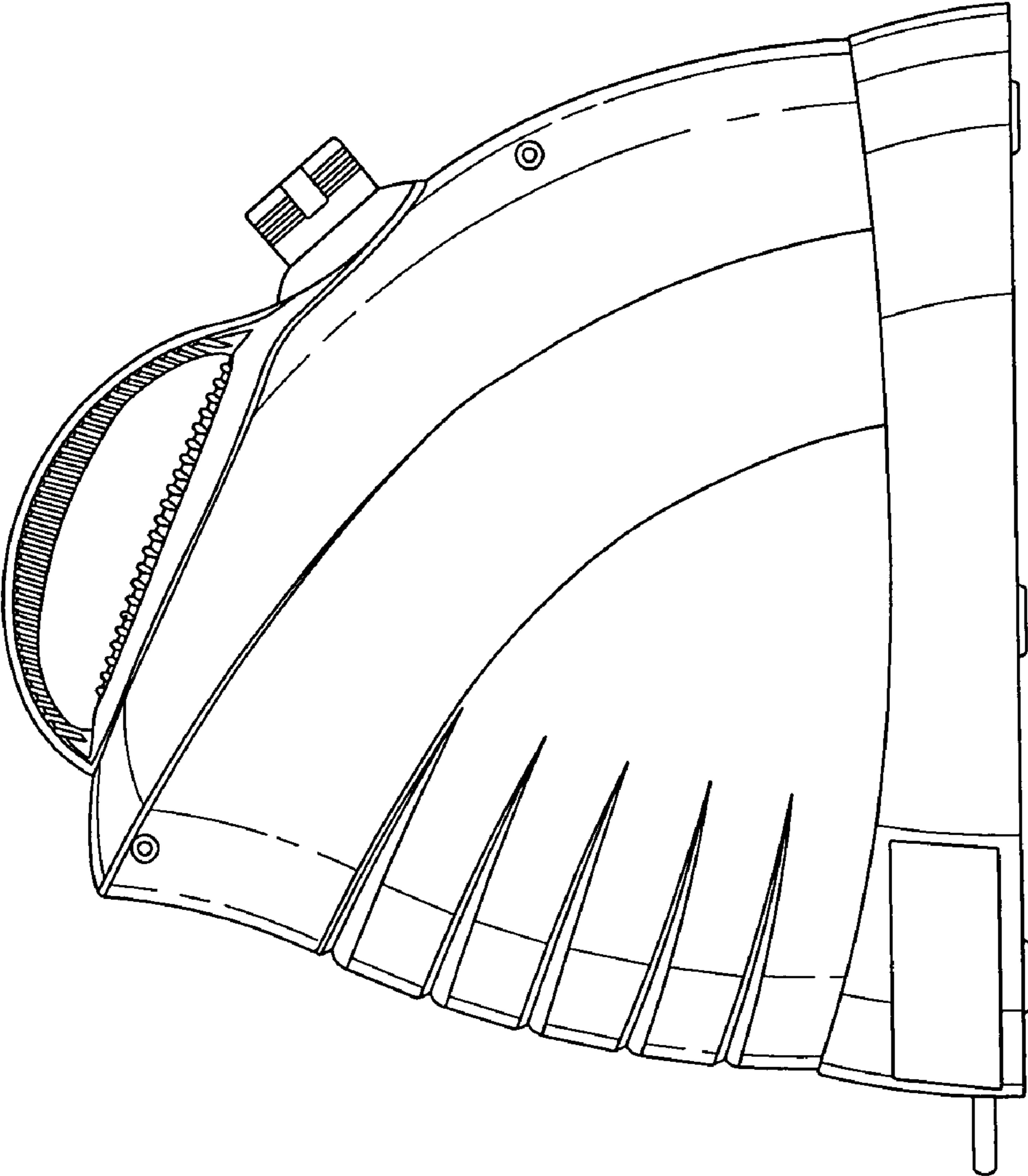


FIG. 4

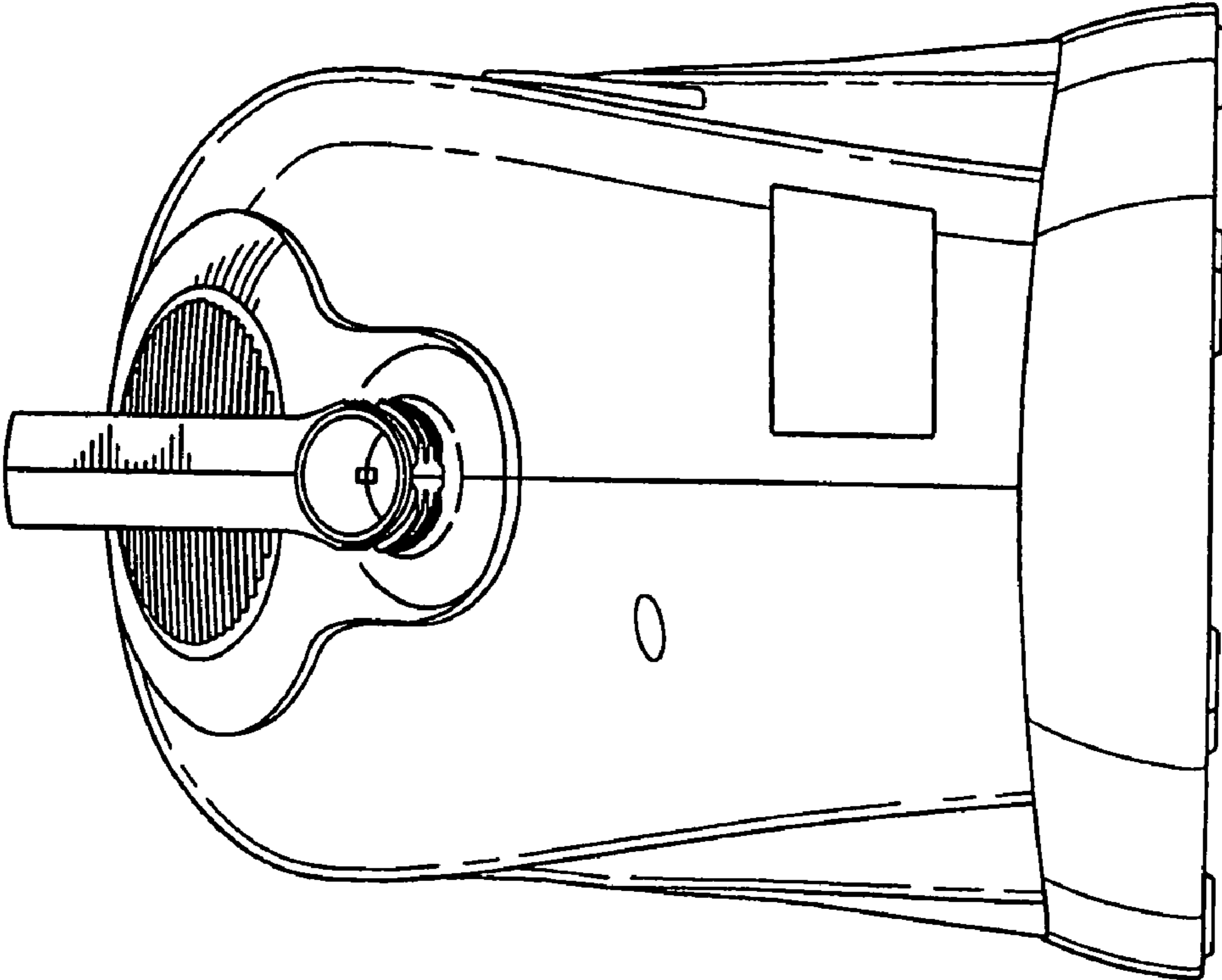


FIG. 5

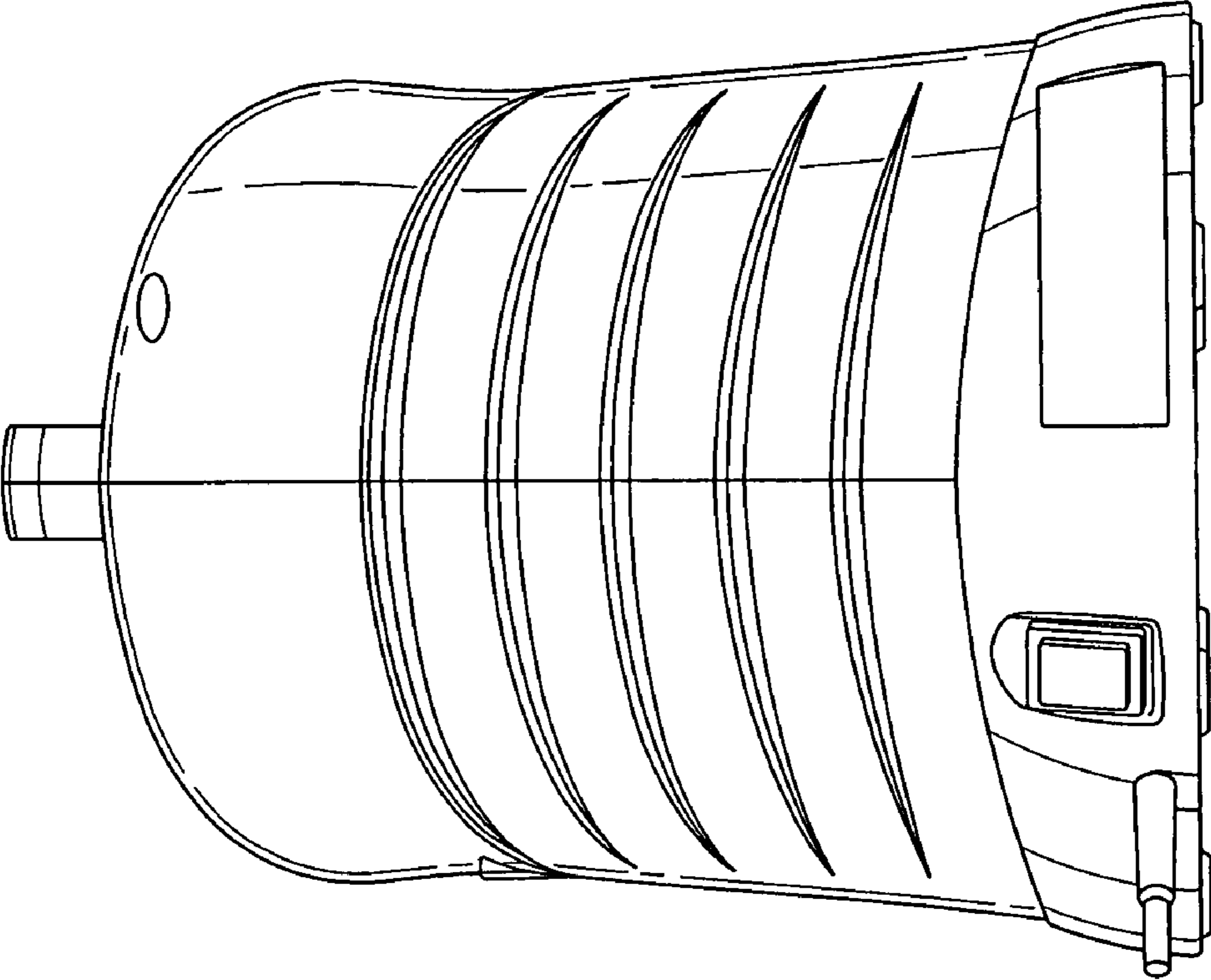


FIG. 6

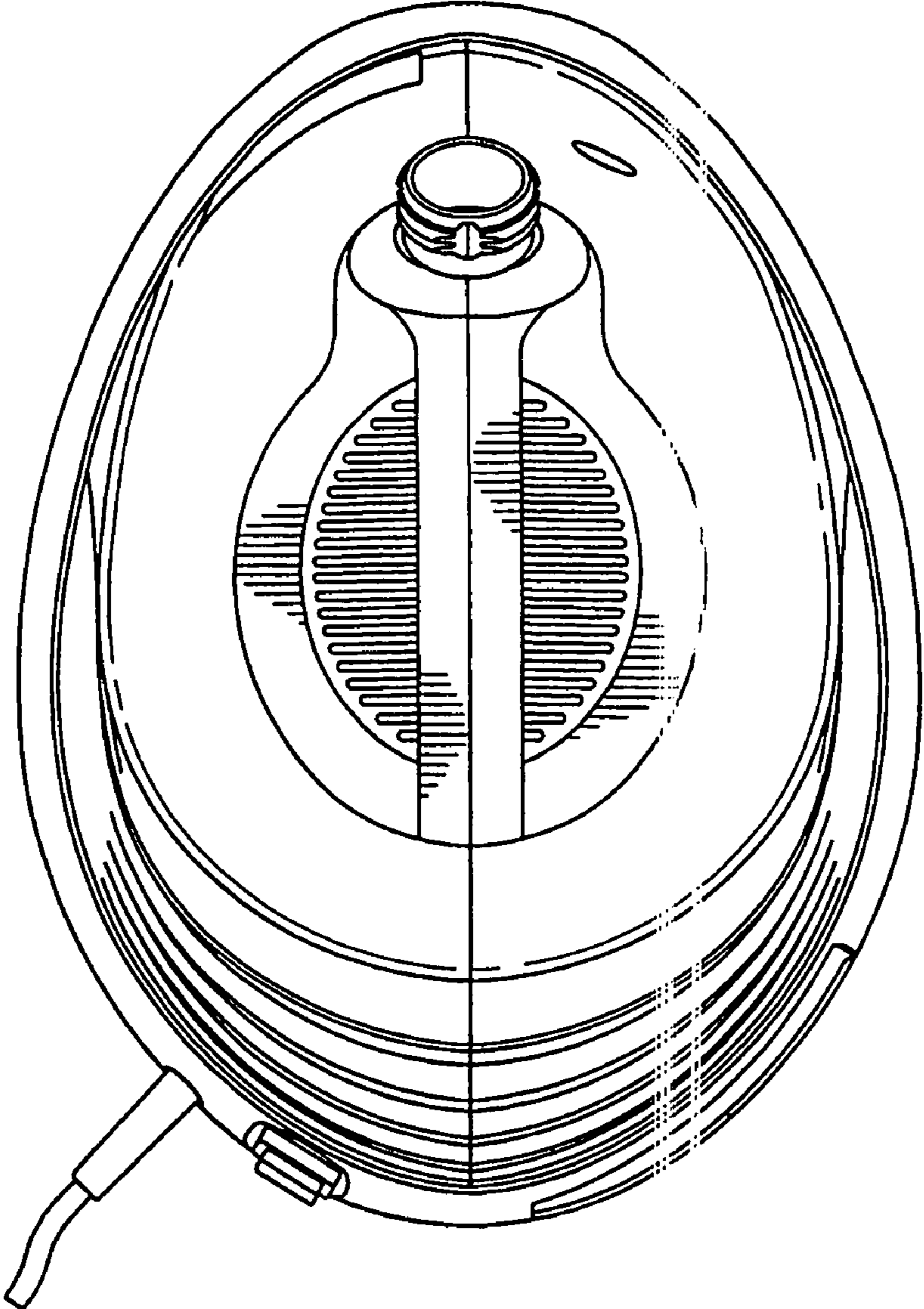


FIG. 7



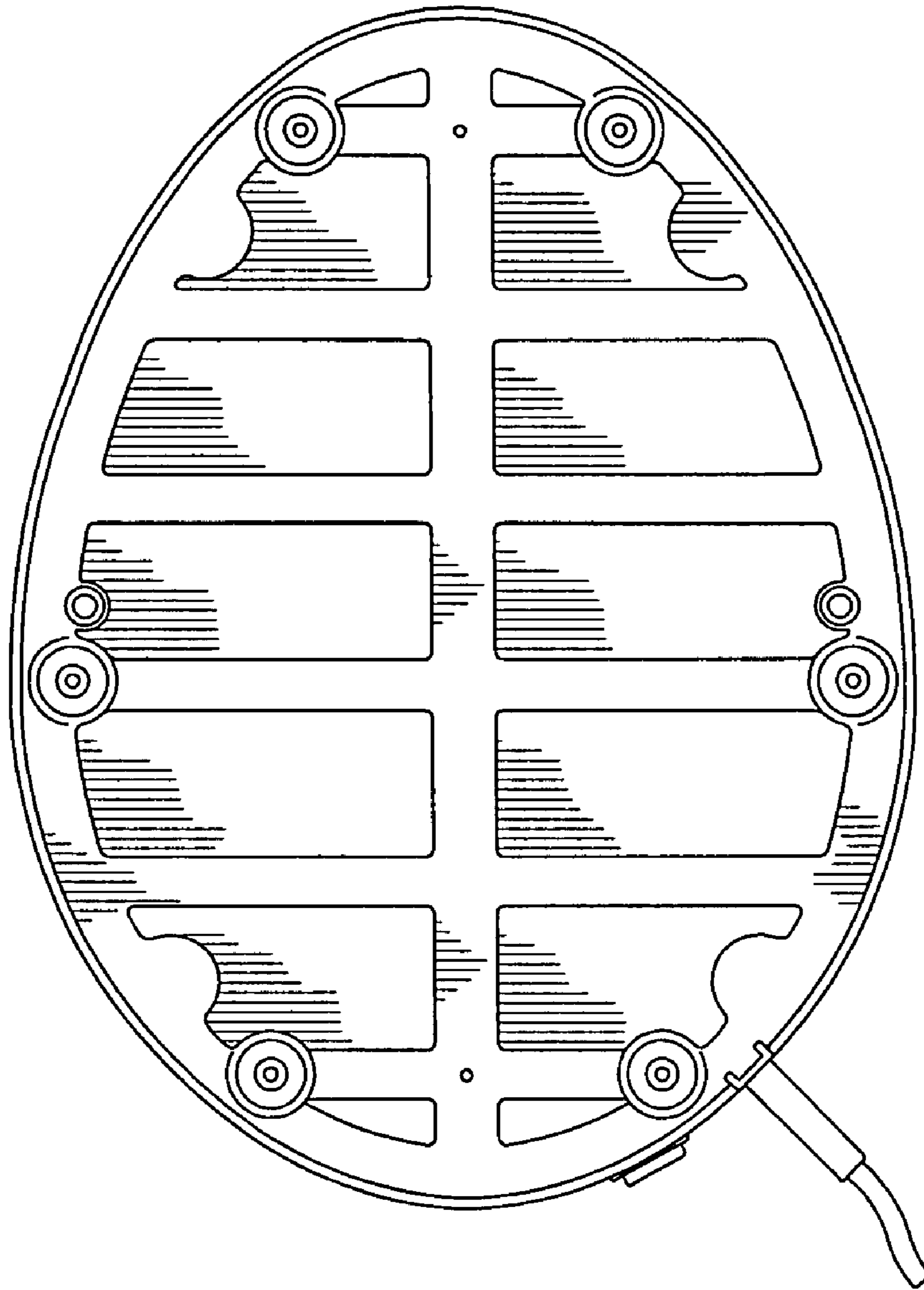


FIG. 8

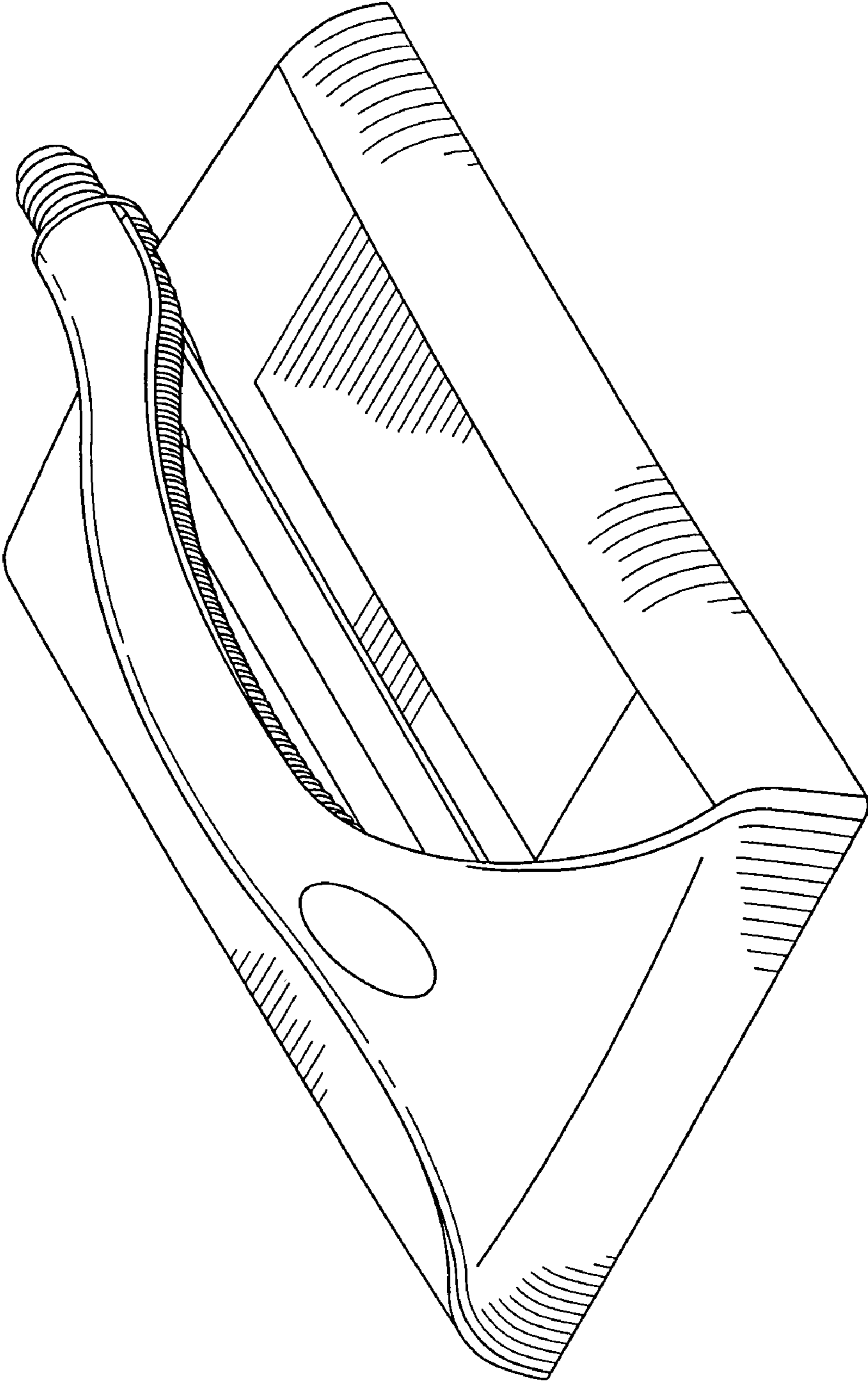


FIG. 9

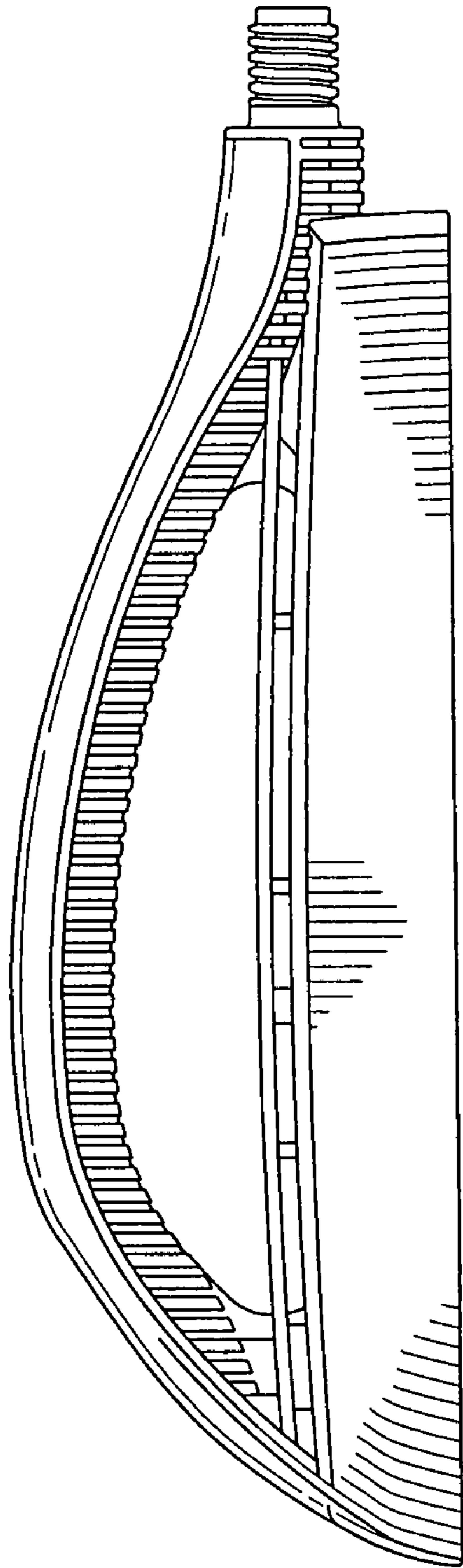


FIG. 10

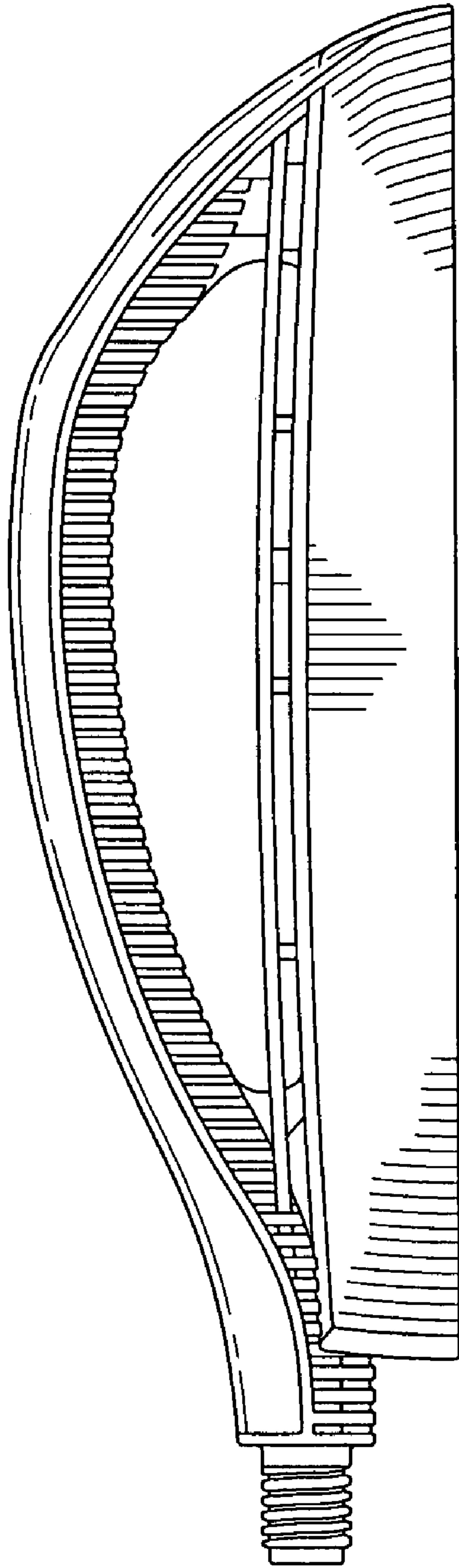


FIG. 11

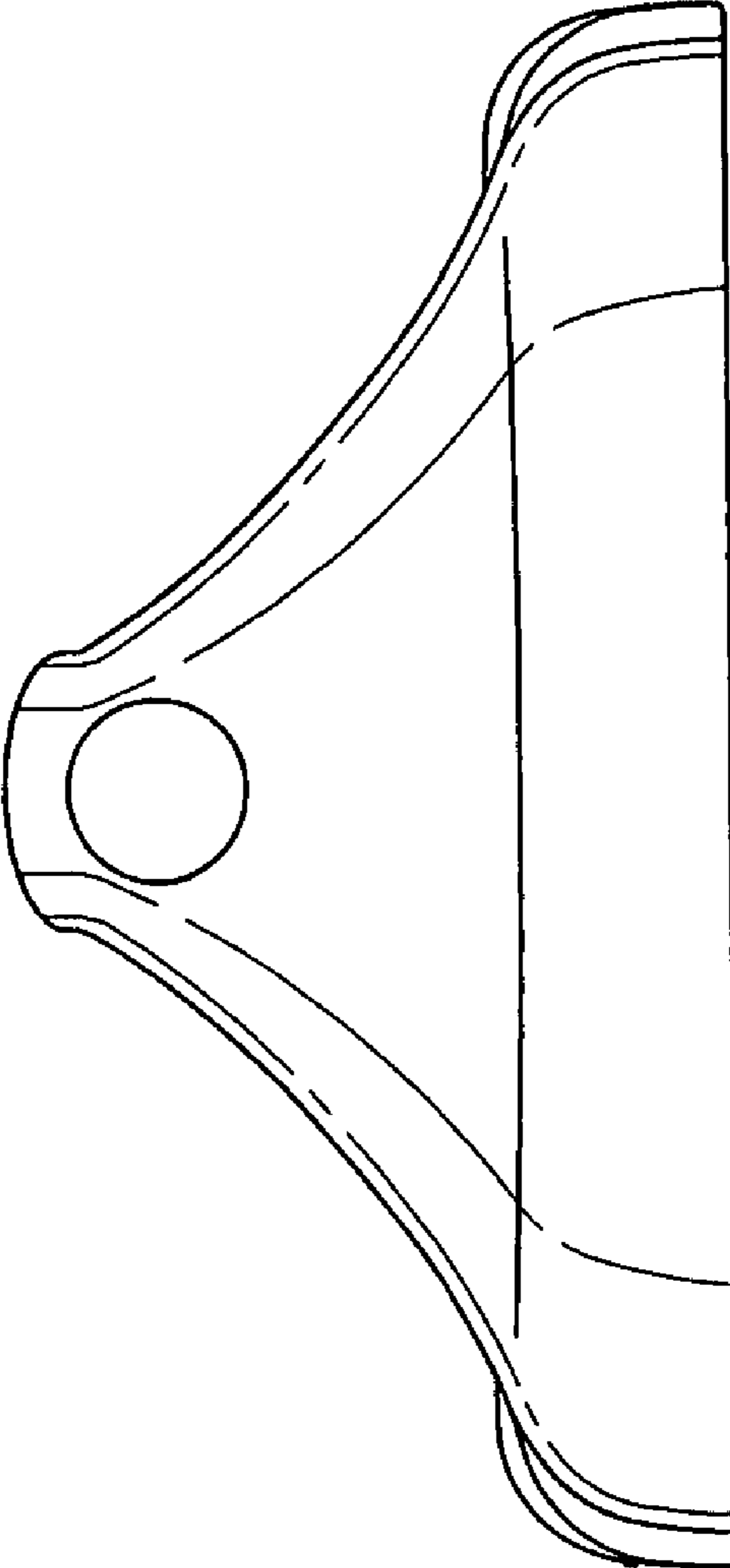


FIG. 12

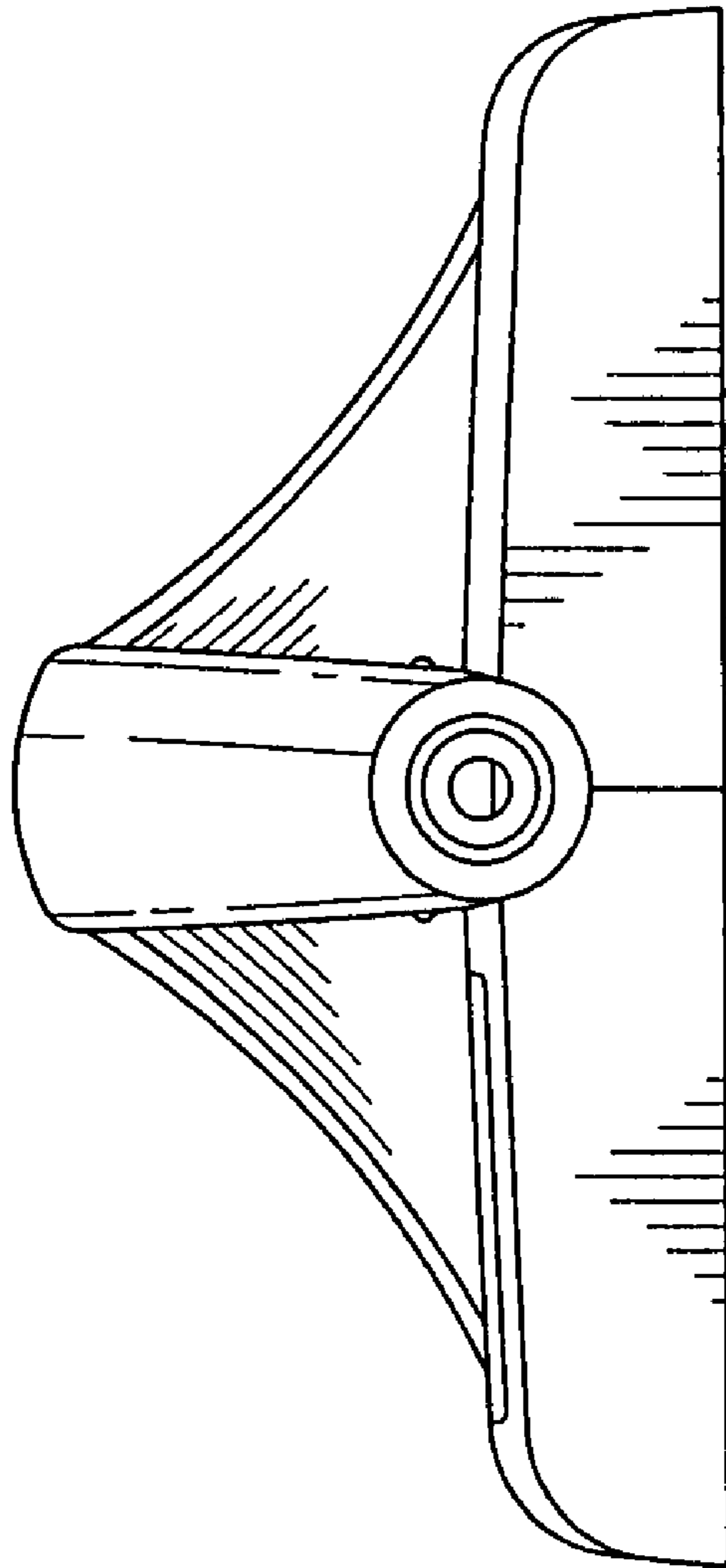


FIG. 13

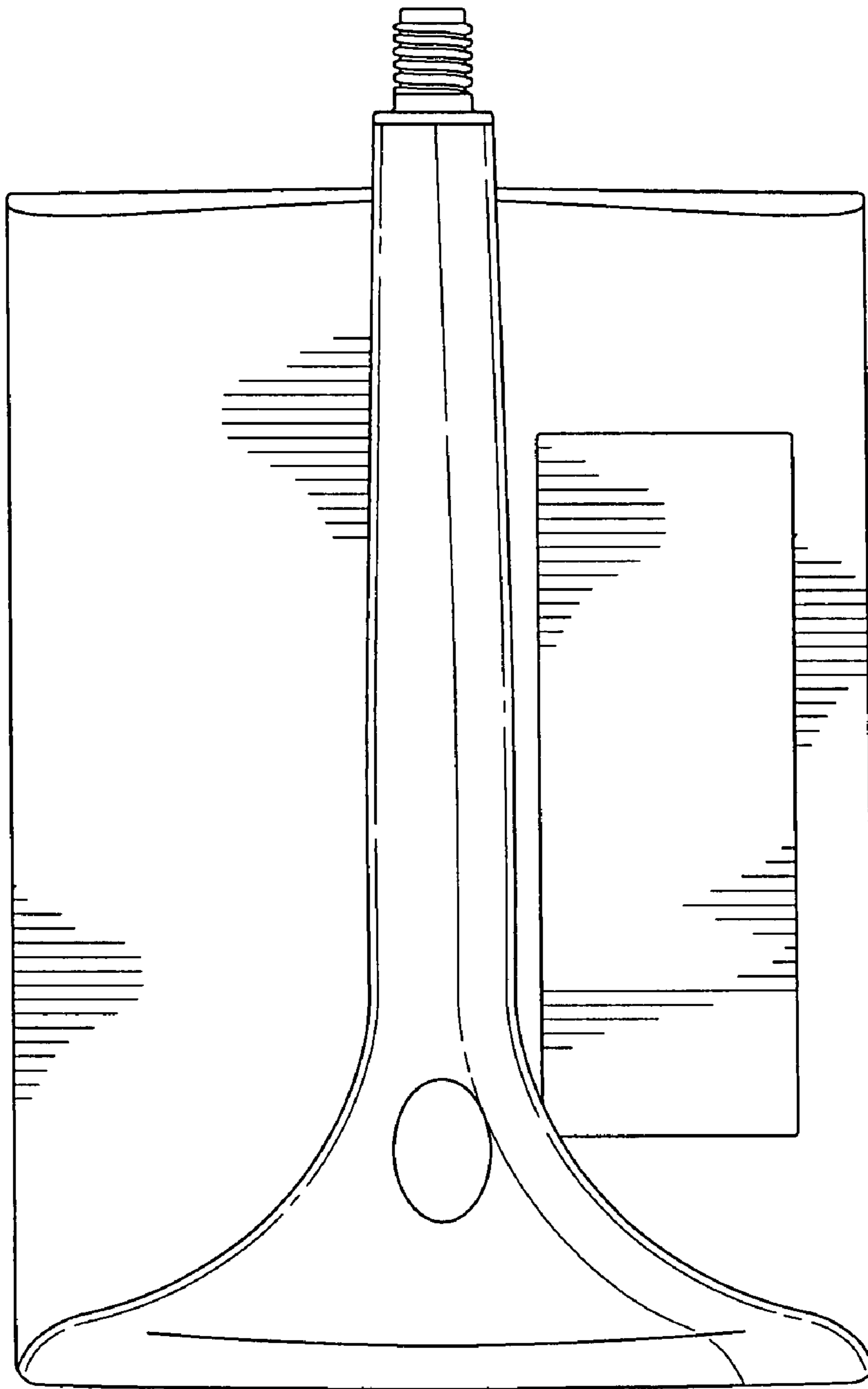


FIG. 14

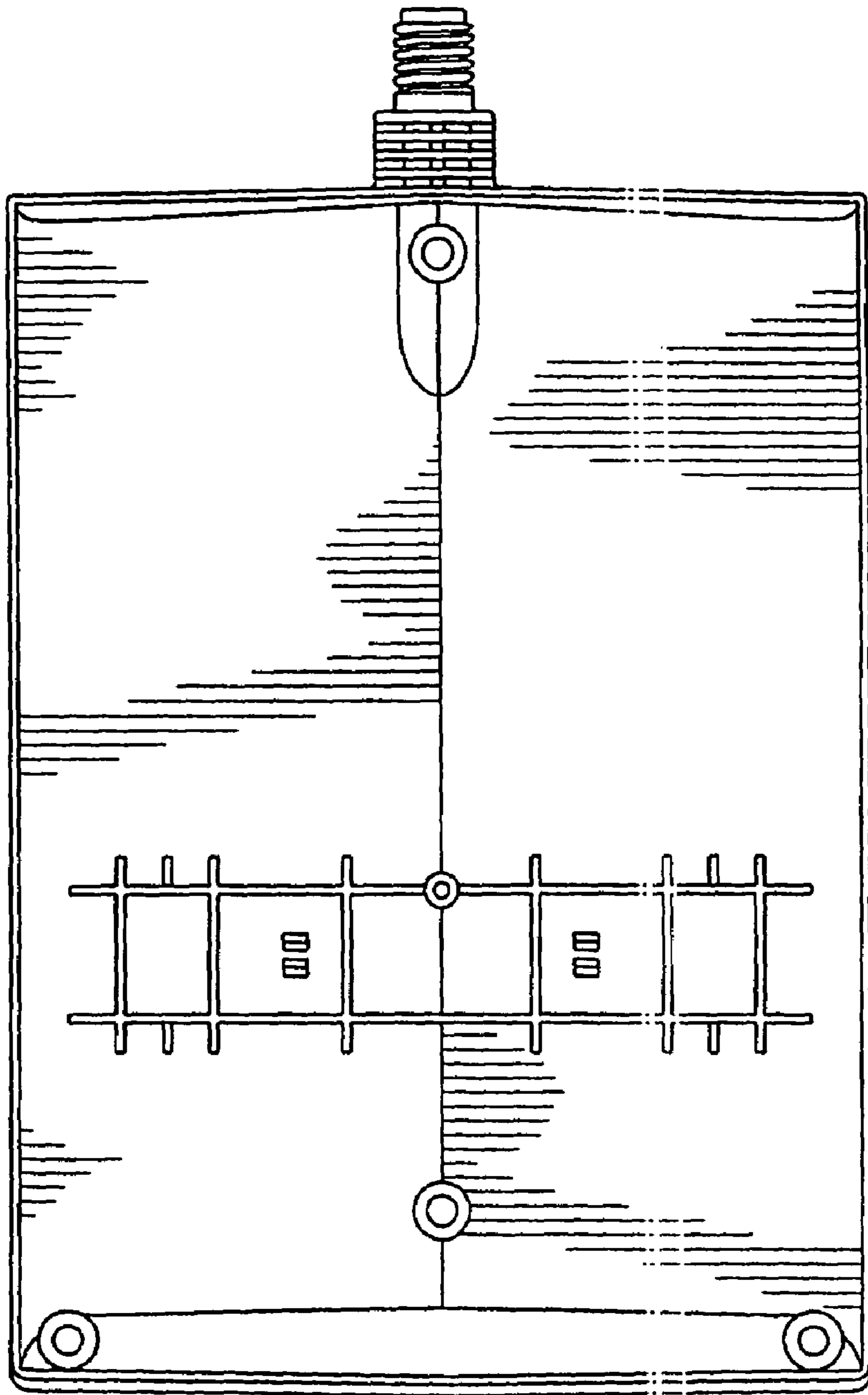


FIG. 15