



US00D566907S

(12) **United States Design Patent**
Barca

(10) **Patent No.:** **US D566,907 S**
(45) **Date of Patent:** **** Apr. 15, 2008**

(54) **ANIMAL CONTAINMENT AND TRANSPORTATION APPARATUS**

(75) Inventor: **Rosanne Barca**, Cranford, NJ (US)

(73) Assignee: **Barca Enterprises, LLC**, Cranford, NJ (US)

(**) Term: **14 Years**

(21) Appl. No.: **29/263,819**

(22) Filed: **Jul. 27, 2006**

(51) **LOC (8) Cl.** **30-02**

(52) **U.S. Cl.** **D30/109**

(58) **Field of Classification Search** D30/108-119, D30/161; 119/161, 163-170, 417-419, 421, 119/452-453, 459, 470, 472-475, 482, 484, 119/491, 496-499, 502, 522, 671, 702-703, 119/706, 755, 28.5

See application file for complete search history.

(56) **References Cited**

U.S. PATENT DOCUMENTS

- 2,821,165 A * 1/1958 Wright 119/482
- 3,865,425 A 2/1975 French
- 4,339,147 A 7/1982 Kimzey
- 4,796,565 A * 1/1989 Charbeneau 119/751
- 4,852,520 A 8/1989 Goetz
- 4,977,857 A 12/1990 Slawinski
- 5,113,793 A * 5/1992 Leader et al. 119/453
- D331,131 S * 11/1992 Quillen D30/109
- 5,307,758 A * 5/1994 Ho 119/497
- 5,467,734 A * 11/1995 Ho 119/497
- 5,671,698 A 9/1997 Farrugia
- 5,701,843 A * 12/1997 Lazides 119/496
- 5,931,120 A 8/1999 Burnes et al.
- 6,021,740 A 2/2000 Martz
- D431,884 S * 10/2000 Moreno D30/108
- 6,155,206 A 12/2000 Godshaw
- 6,182,611 B1 2/2001 Marchioro
- 6,230,656 B1 5/2001 Walach

- 6,374,775 B1 4/2002 Baumsteiger
- 6,425,347 B1 * 7/2002 Bogner et al. 119/453
- 6,516,751 B2 2/2003 Burnes et al.
- 6,523,499 B1 * 2/2003 Chrisco et al. 119/496
- 6,647,925 B1 11/2003 Waiters
- 6,766,769 B1 * 7/2004 Doyle et al. 119/496
- 6,896,272 B1 * 5/2005 Burton 119/496
- 7,036,458 B1 * 5/2006 Stornant 119/496
- 7,152,554 B2 * 12/2006 Crawford 119/496
- 2003/0116098 A1 * 6/2003 Chrisco et al. 119/496
- 2004/0065270 A1 * 4/2004 King 119/496
- 2005/0284404 A1 12/2005 Pomakoy-Poole et al.
- 2005/0284405 A1 12/2005 Pomakoy-Poole et al.
- 2006/0048716 A1 * 3/2006 Garofola 119/453

* cited by examiner

Primary Examiner—Cathy Anne MacCormac

(74) *Attorney, Agent, or Firm*—Law Offices of Rita C. Chiperson, P.C.

(57) **CLAIM**

The ornamental design for an animal containment and transportation apparatus, as shown and described.

DESCRIPTION

FIG. 1 is a perspective view of an animal containment and transportation apparatus;

FIG. 2 is a top plan view thereof;

FIG. 3 is a front elevational view thereof;

FIG. 4 is a bottom plan view thereof;

FIG. 5 is a rear elevational view thereof;

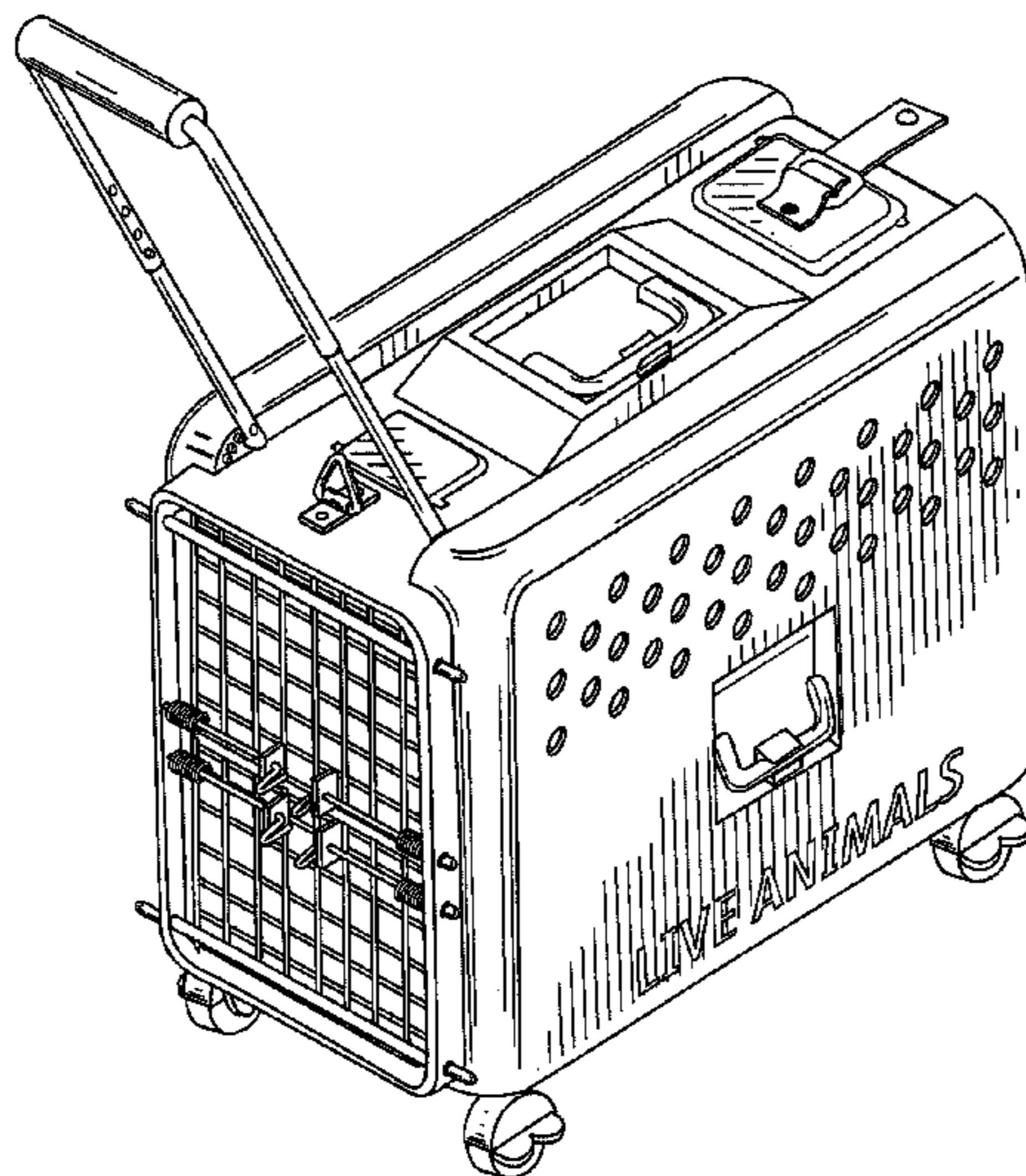
FIG. 6 is a right side view thereof;

FIG. 7 is a left side view thereof;

FIG. 8 is a cross section view thereof taken along lines 8—8 of FIG. 6; and,

FIG. 9 is a cross section view thereof taken along lines 9—9 of FIG. 6.

1 Claim, 9 Drawing Sheets



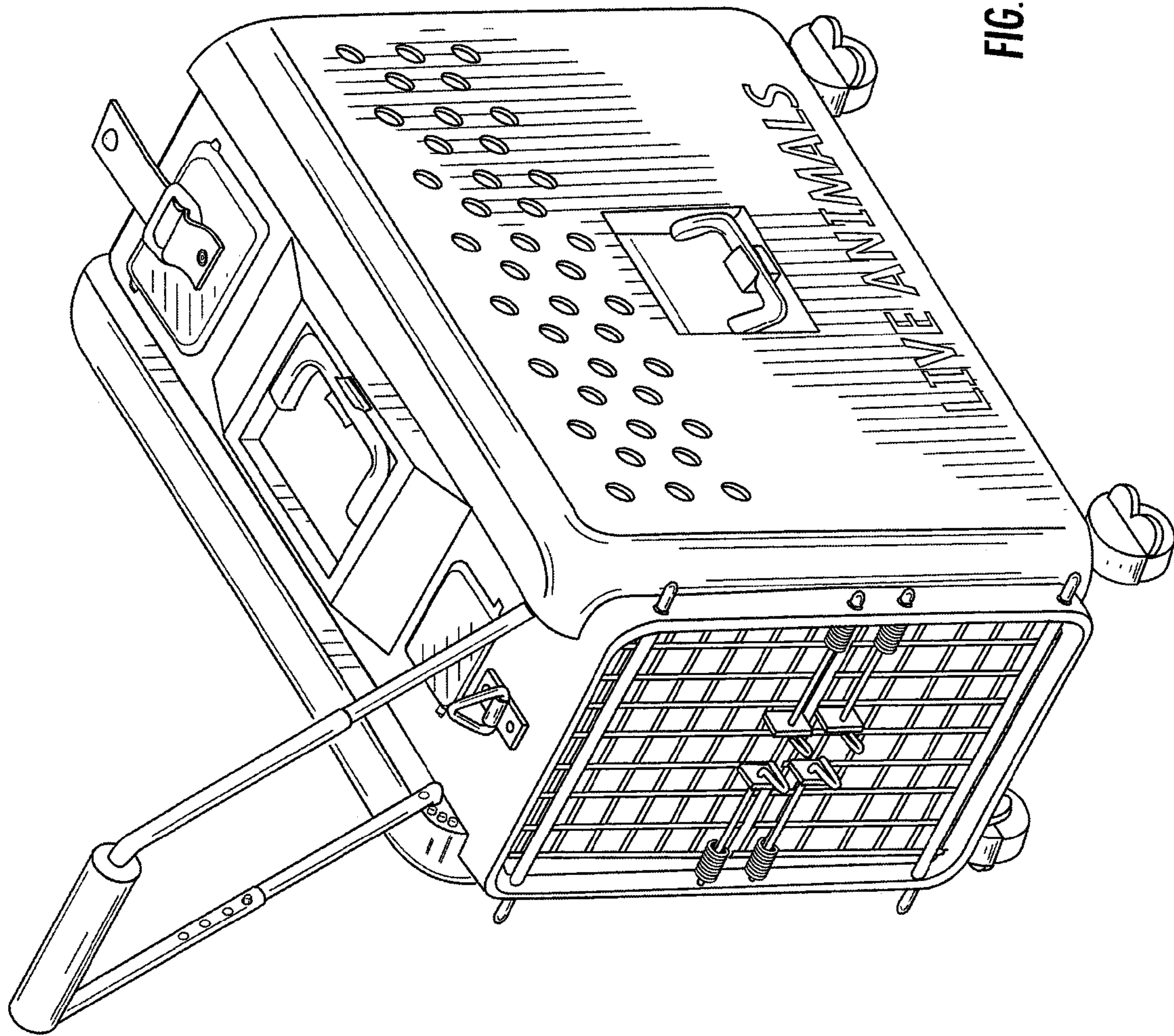


FIG. 7

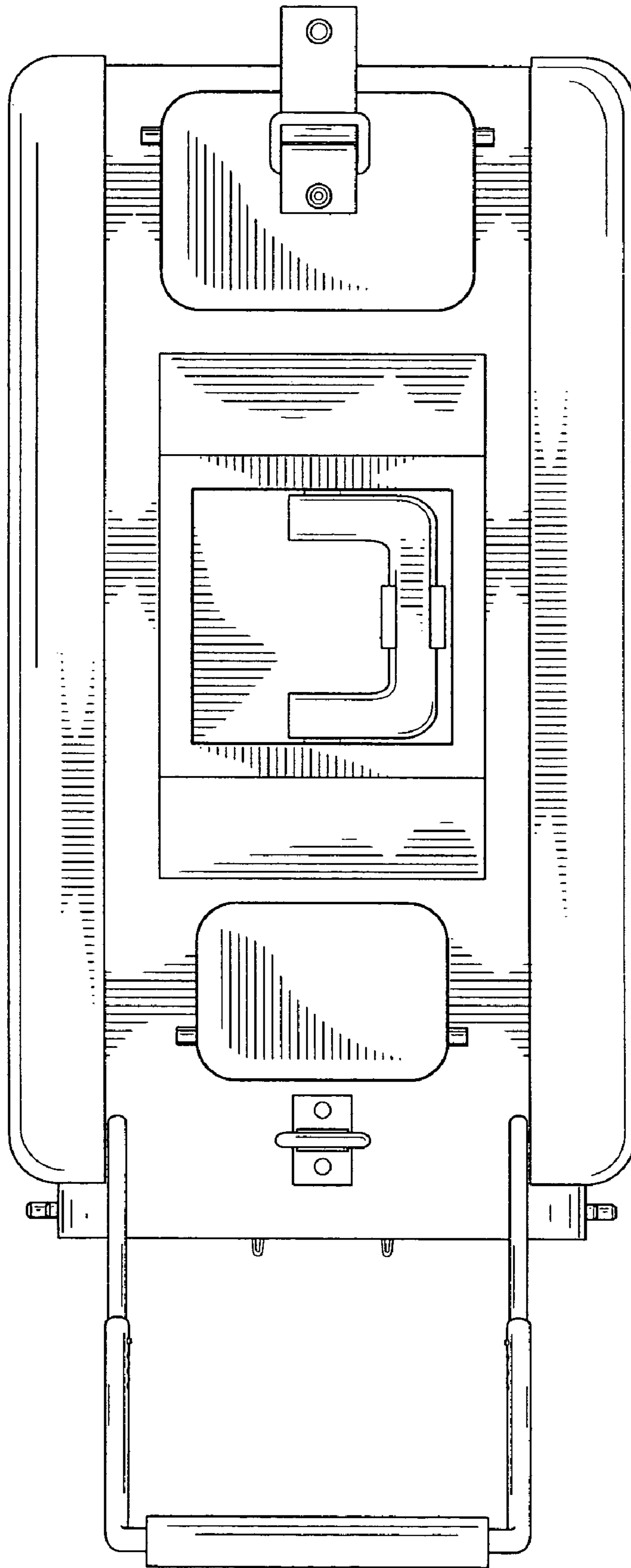


FIG. 2

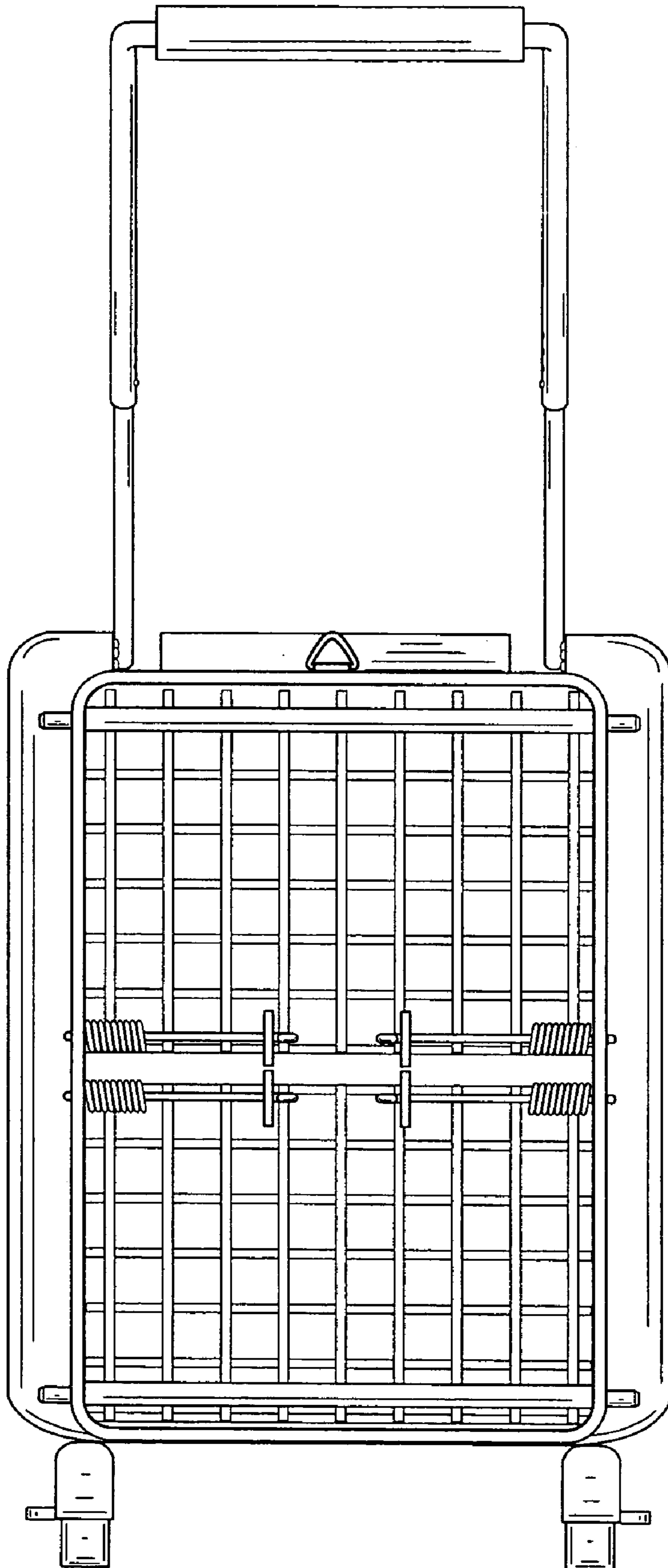


FIG. 3

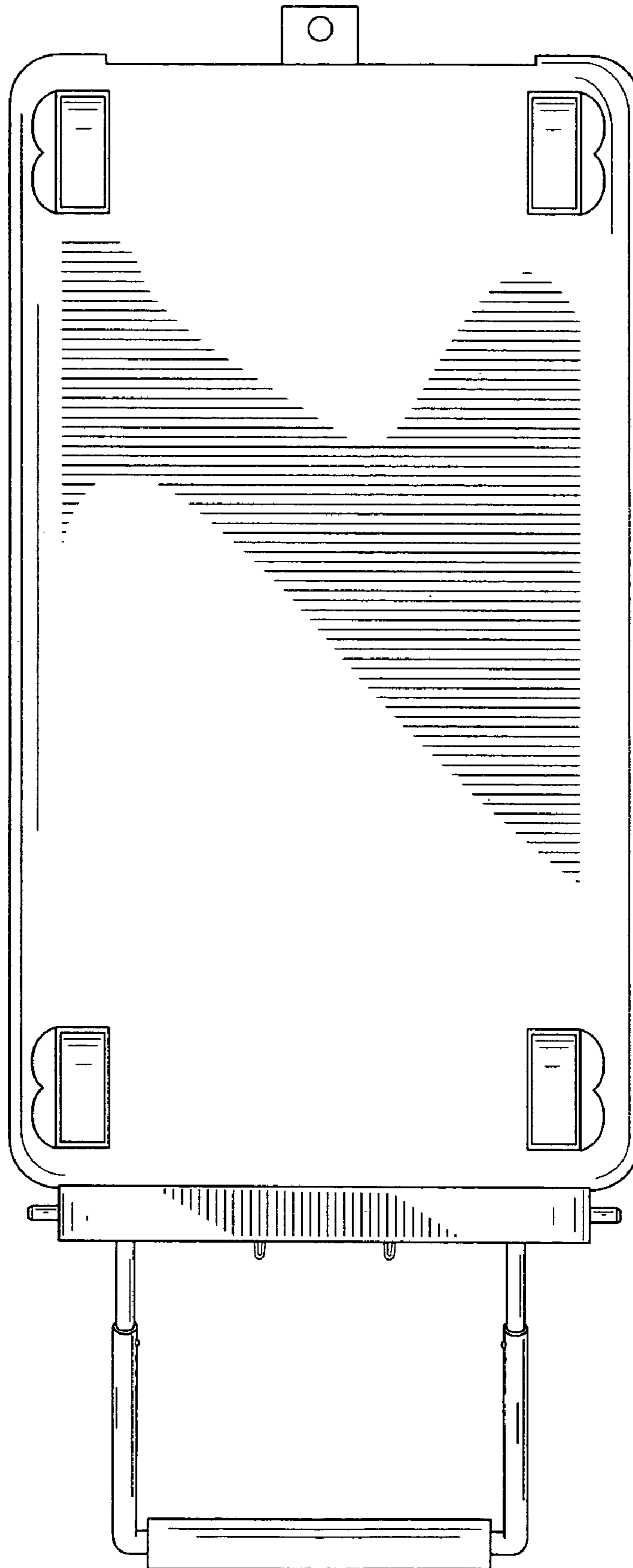


FIG. 4

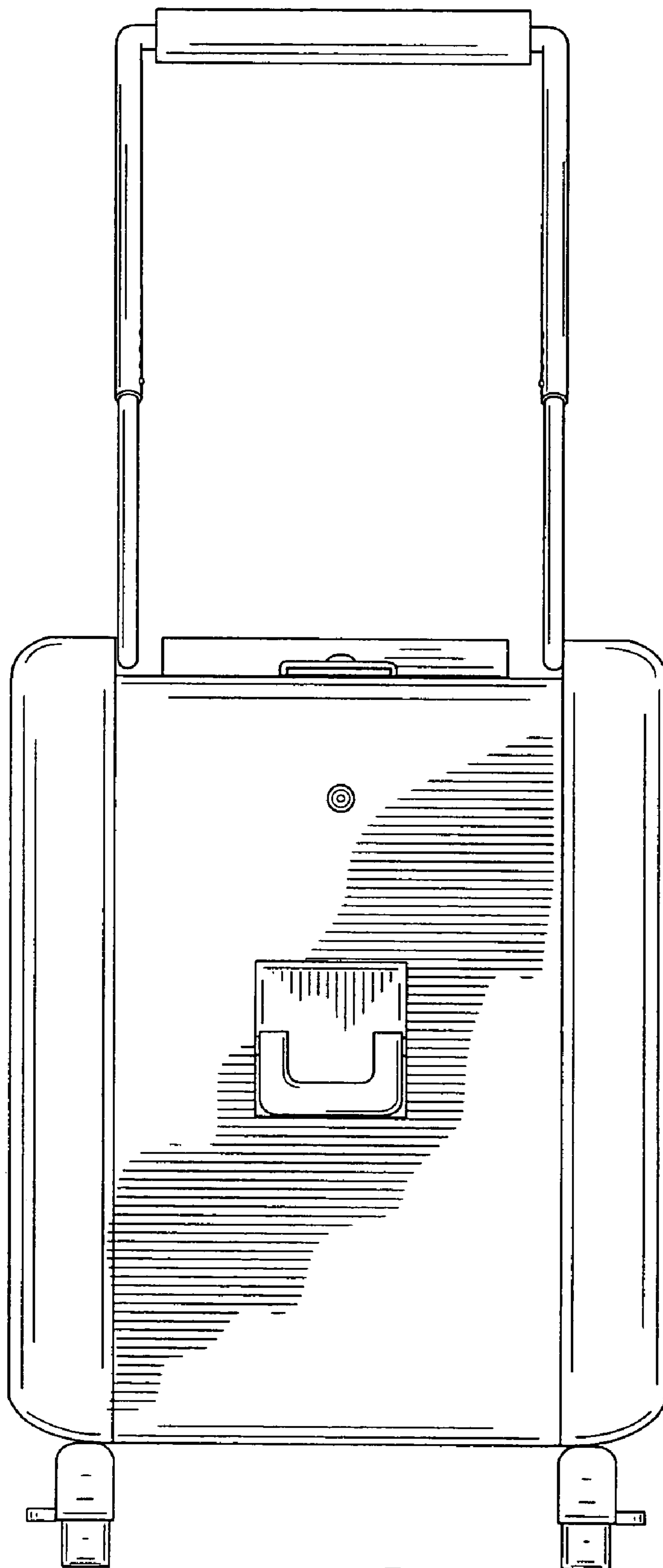
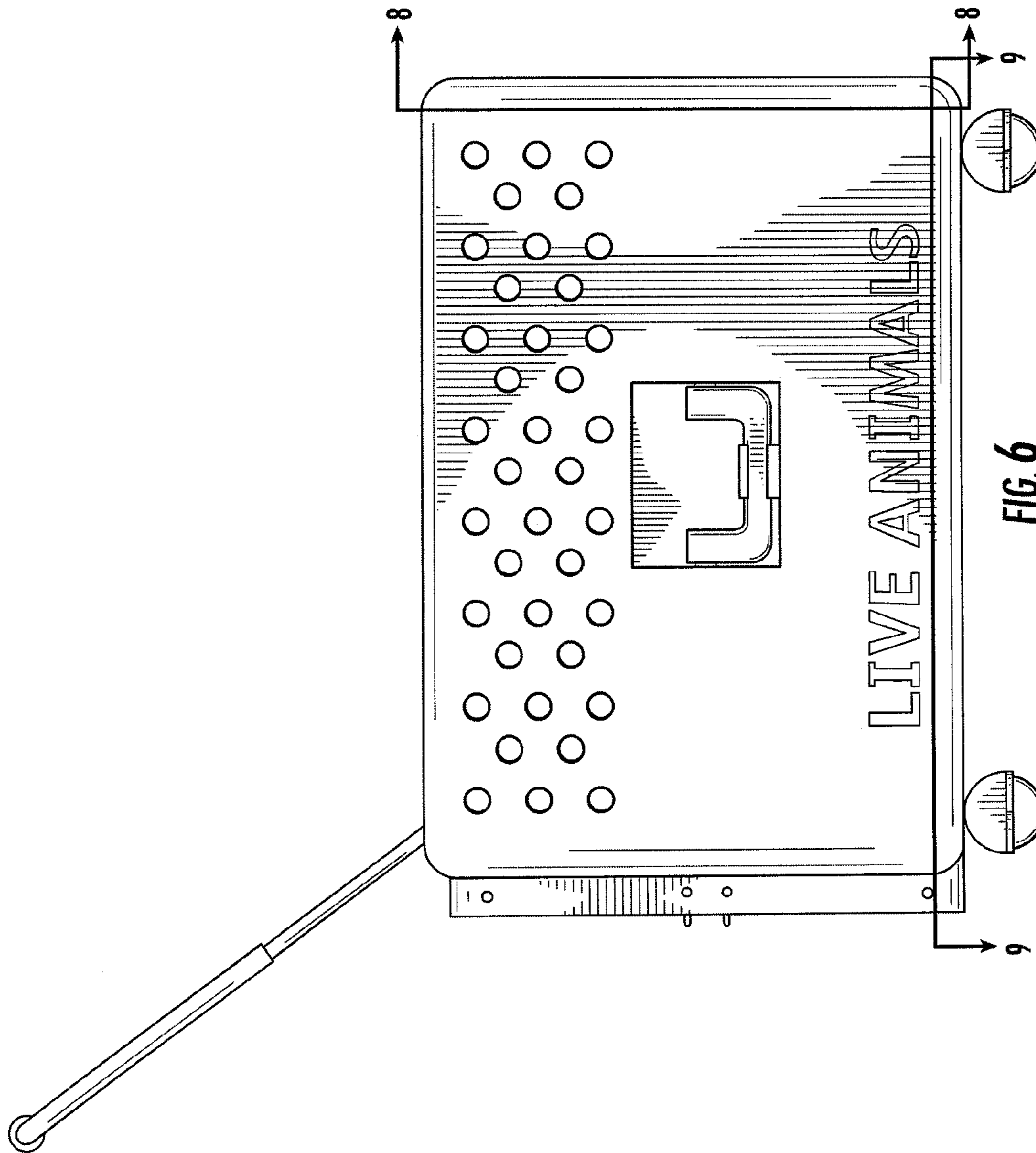


FIG. 5



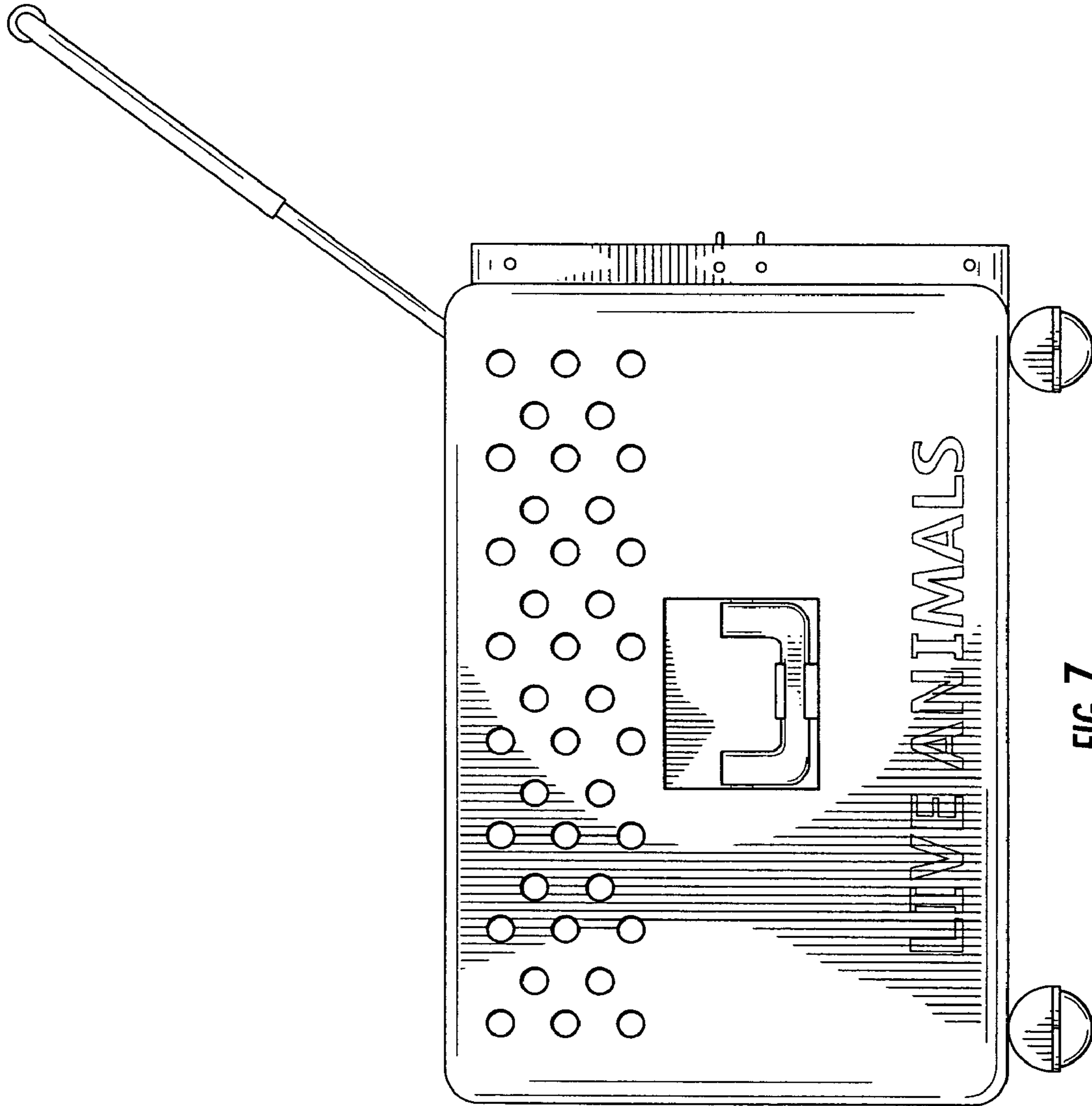


FIG. 7

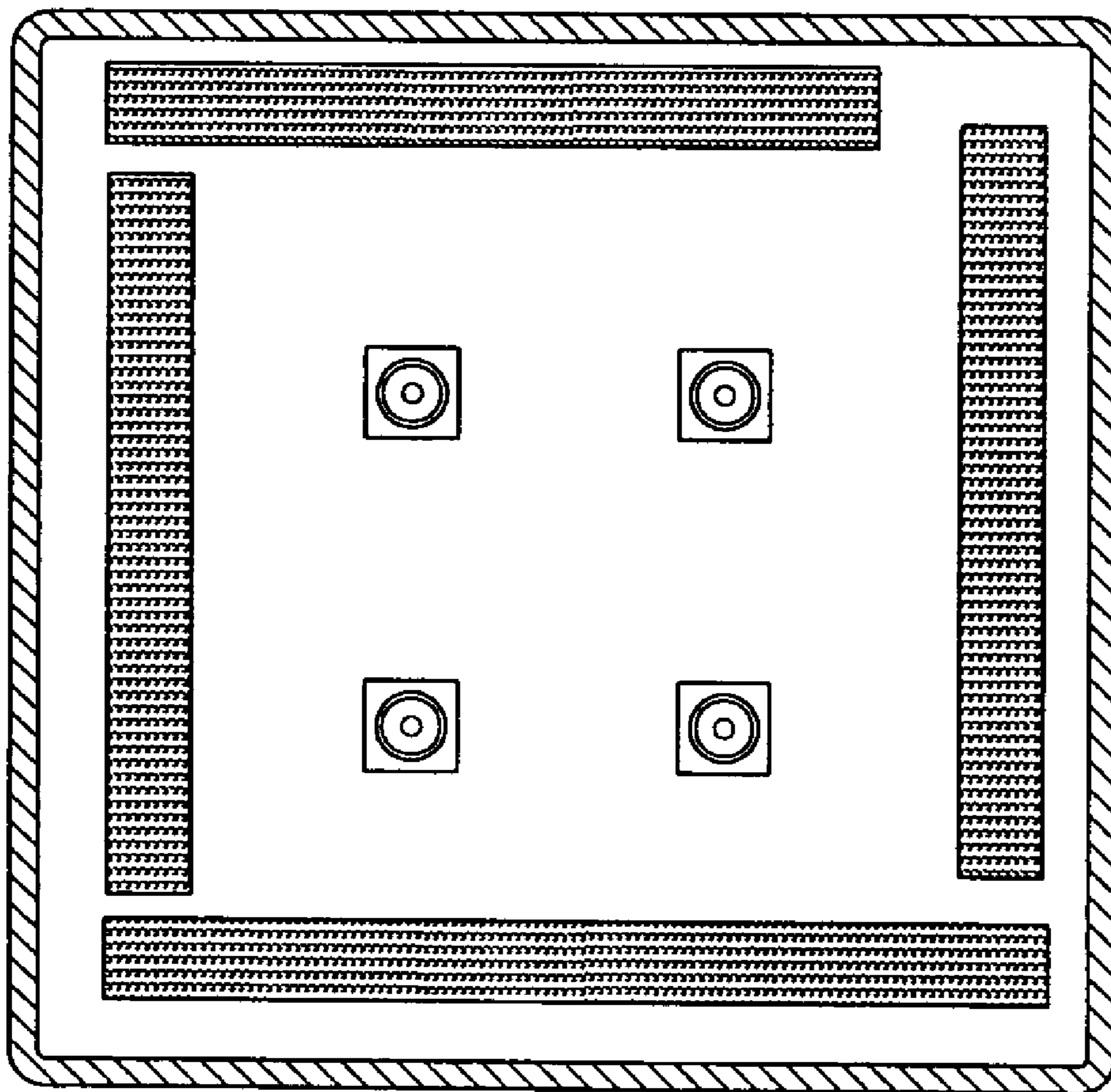


FIG. 8

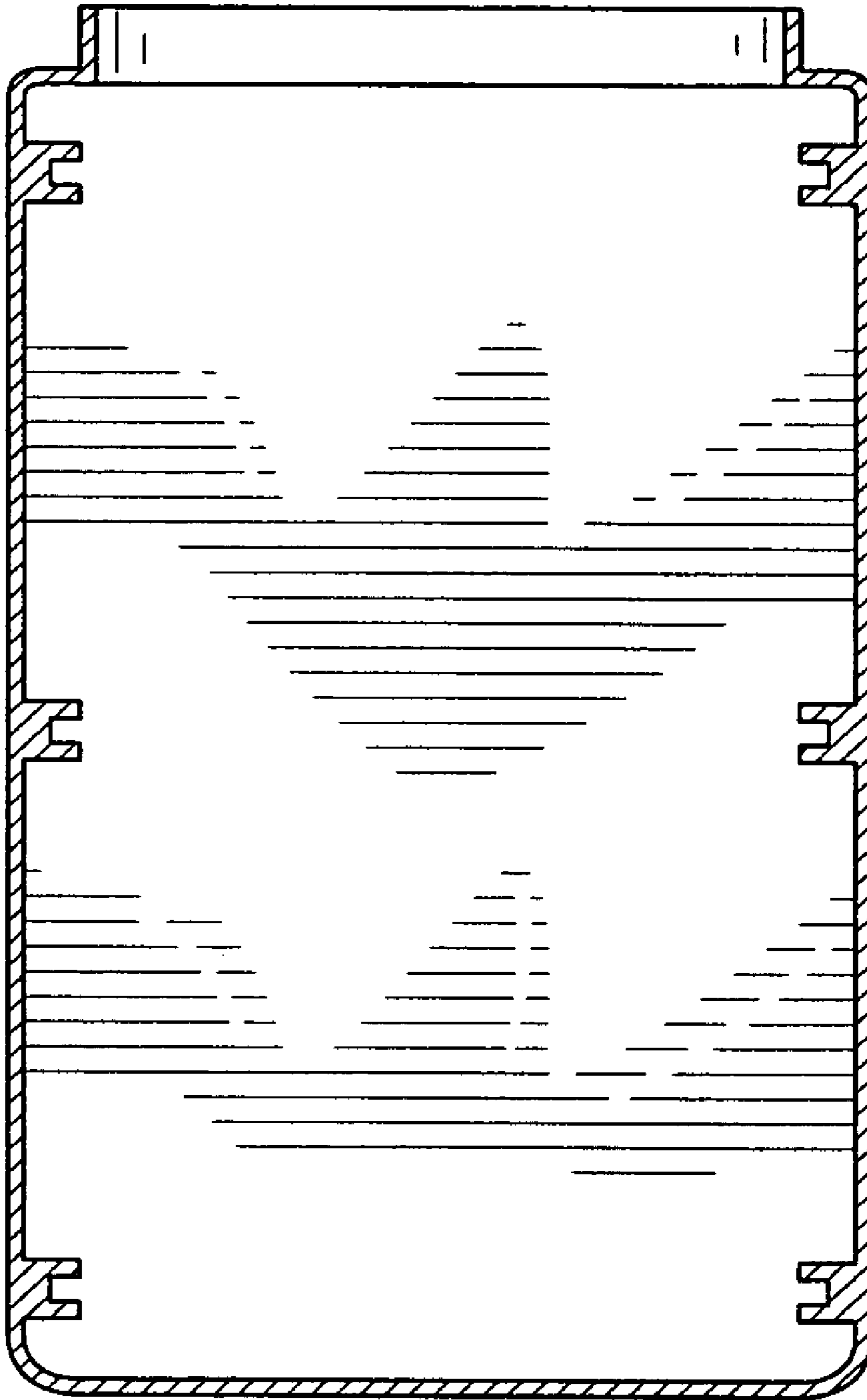


FIG. 9