



US00D566905S

(12) **United States Design Patent**
Ragonetti et al.

(10) **Patent No.: US D566,905 S**
(45) **Date of Patent: ** Apr. 15, 2008**

(54) **AQUARIUM ORNAMENT**

(75) Inventors: **Peter Ragonetti**, Brooklyn, NY (US);
Ryan Rutherford, Rutherford, NJ
(US); **Jonathan Willinger**, Tenafly, NJ
(US)

(73) Assignee: **JW Pet Company Inc.**, Teterboro, NJ
(US)

(**) Term: **14 Years**

(21) Appl. No.: **29/291,490**

(22) Filed: **Aug. 31, 2007**

Related U.S. Application Data

(62) Division of application No. 29/262,828, filed on Jul.
12, 2006, now Pat. No. Des. 554,809.

(51) **LOC (8) Cl.** **30-02**

(52) **U.S. Cl.** **D30/106**

(58) **Field of Classification Search** D30/106,
D30/199, 160; D11/128, 149, 150, 184;
D21/576, 579, 585, 587, 588, 593, 594, 621,
D21/627; 119/256, 262; D19/62
See application file for complete search history.

(56) **References Cited**

U.S. PATENT DOCUMENTS

D9,737 S * 2/1877 Smith D19/97
D286,652 S * 11/1986 Fisher et al. D19/62
D468,230 S * 1/2003 Weiser et al. D11/128

* cited by examiner

Primary Examiner—Robert Spear

Assistant Examiner—Anna K. Dworzecka

(74) *Attorney, Agent, or Firm*—Katten Muchin Rosenman
LLP

(57) **CLAIM**

The ornamental design for an aquarium ornament, as shown
and described.

DESCRIPTION

FIG. 1 is a perspective view of the present invention
comprising an aquarium ornament, the inventive ornament
being in a first position,

FIG. 2 is a front view of the aquarium ornament of FIG. 1,
FIG. 3 is a rear view of the aquarium ornament of FIG. 1,
FIG. 4 is a left-side view of the aquarium ornament of FIG.
1,

FIG. 5 is a right-side view of the aquarium ornament of FIG.
1,

FIG. 6 is a top view of the aquarium ornament of FIG. 1,
FIG. 7 is a bottom view of the aquarium ornament of FIG.
1,

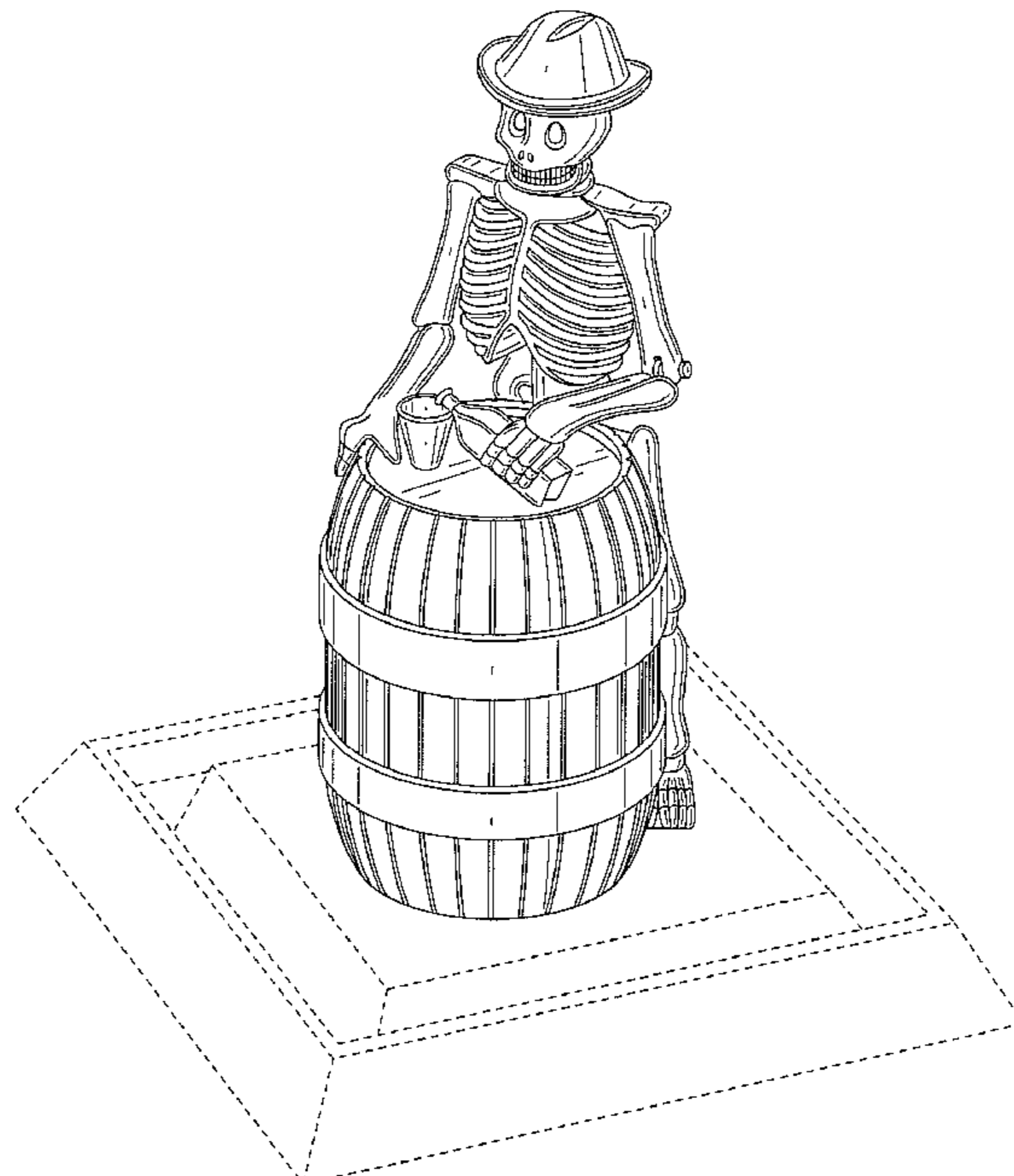
FIG. 8 is a perspective view of the present invention
comprising an aquarium ornament, the inventive ornament
being in a second position,

FIG. 9 is a first bottom perspective view of the aquarium
ornament of FIG. 1; and,

FIG. 10 is a second bottom perspective view of the aquarium
ornament of FIG. 1.

The part of each figure in broken lines forms no part of the
claimed design.

1 Claim, 10 Drawing Sheets



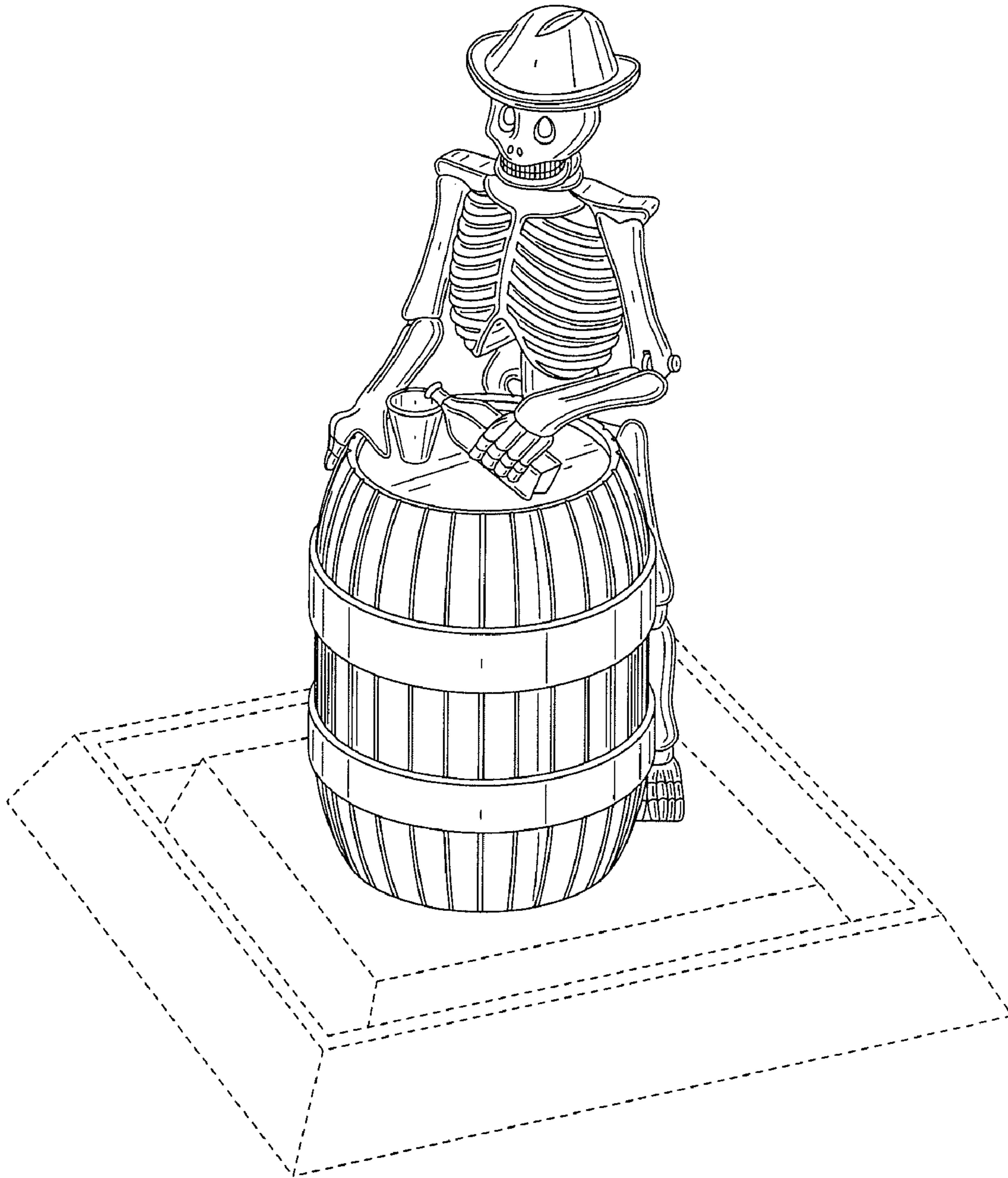


FIGURE. 1

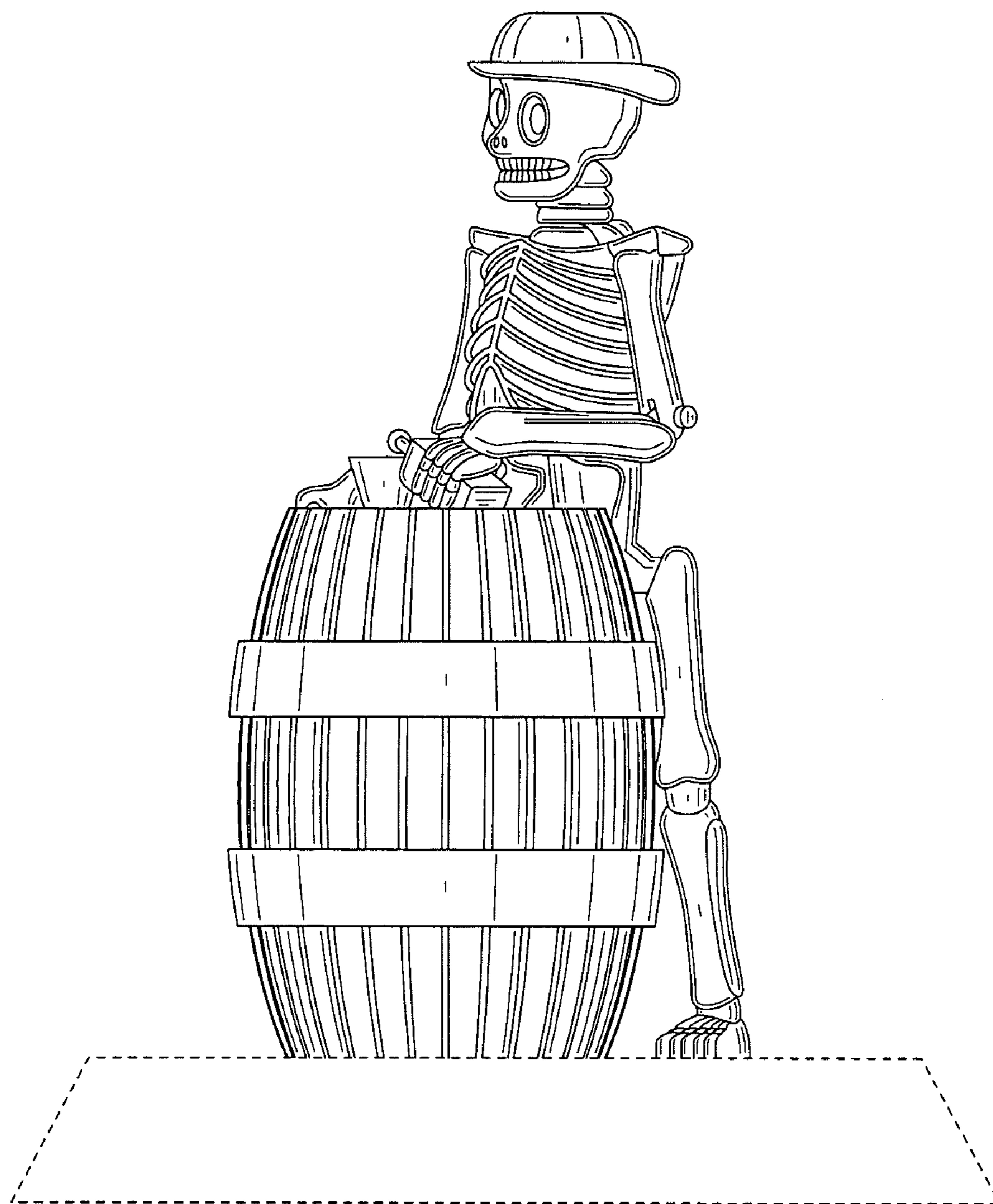


FIGURE 2.

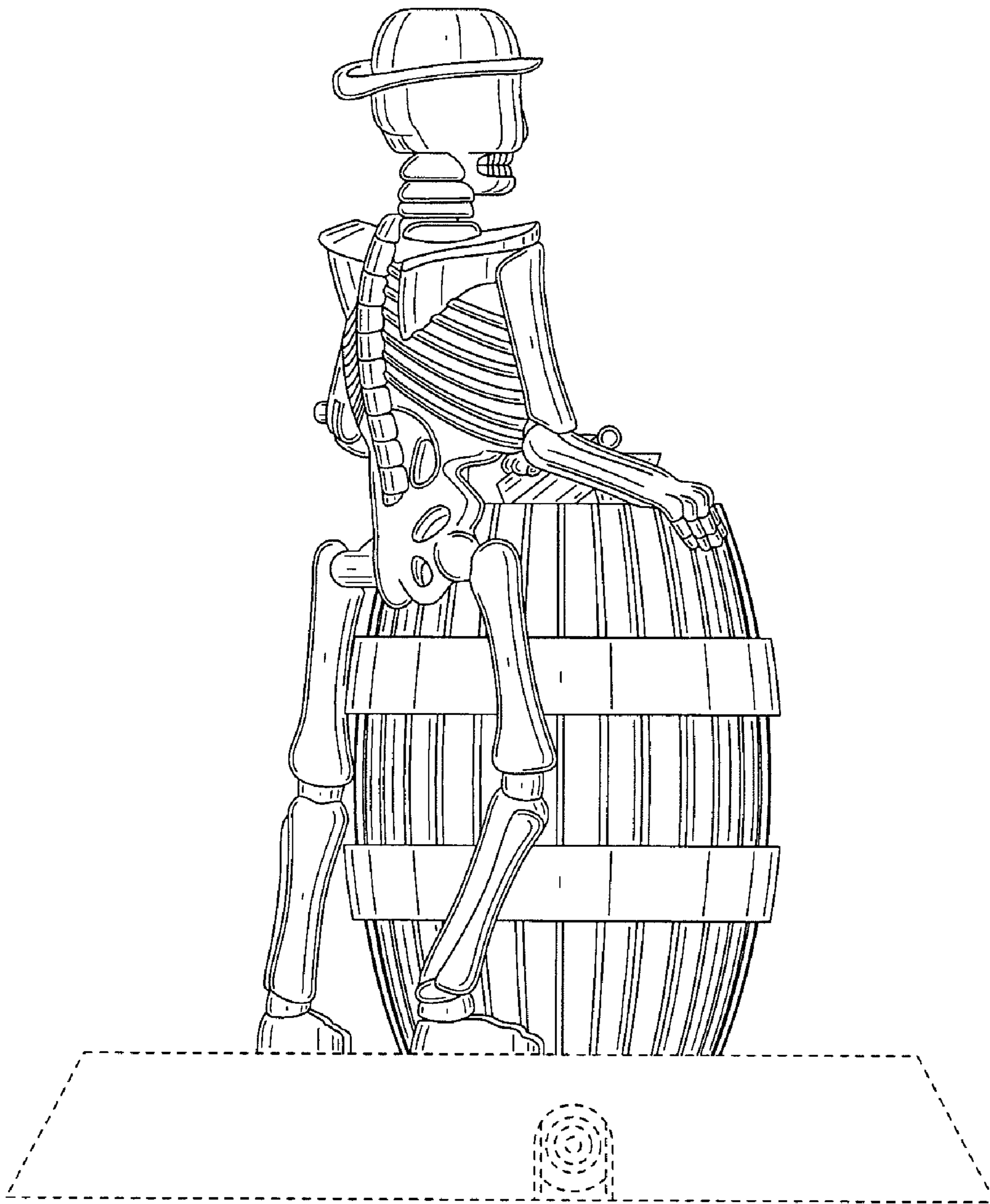


FIGURE 3.

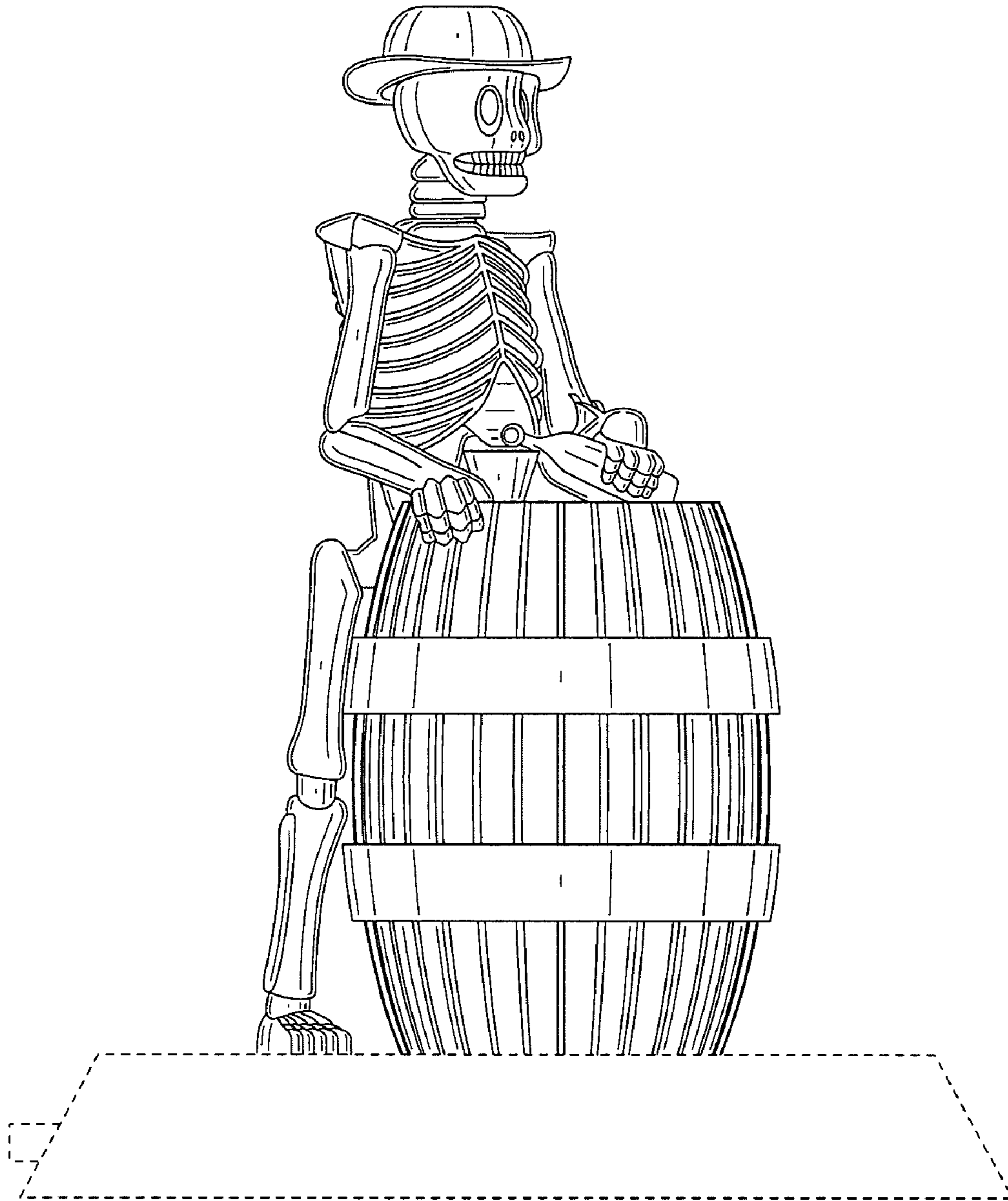


FIGURE 4.

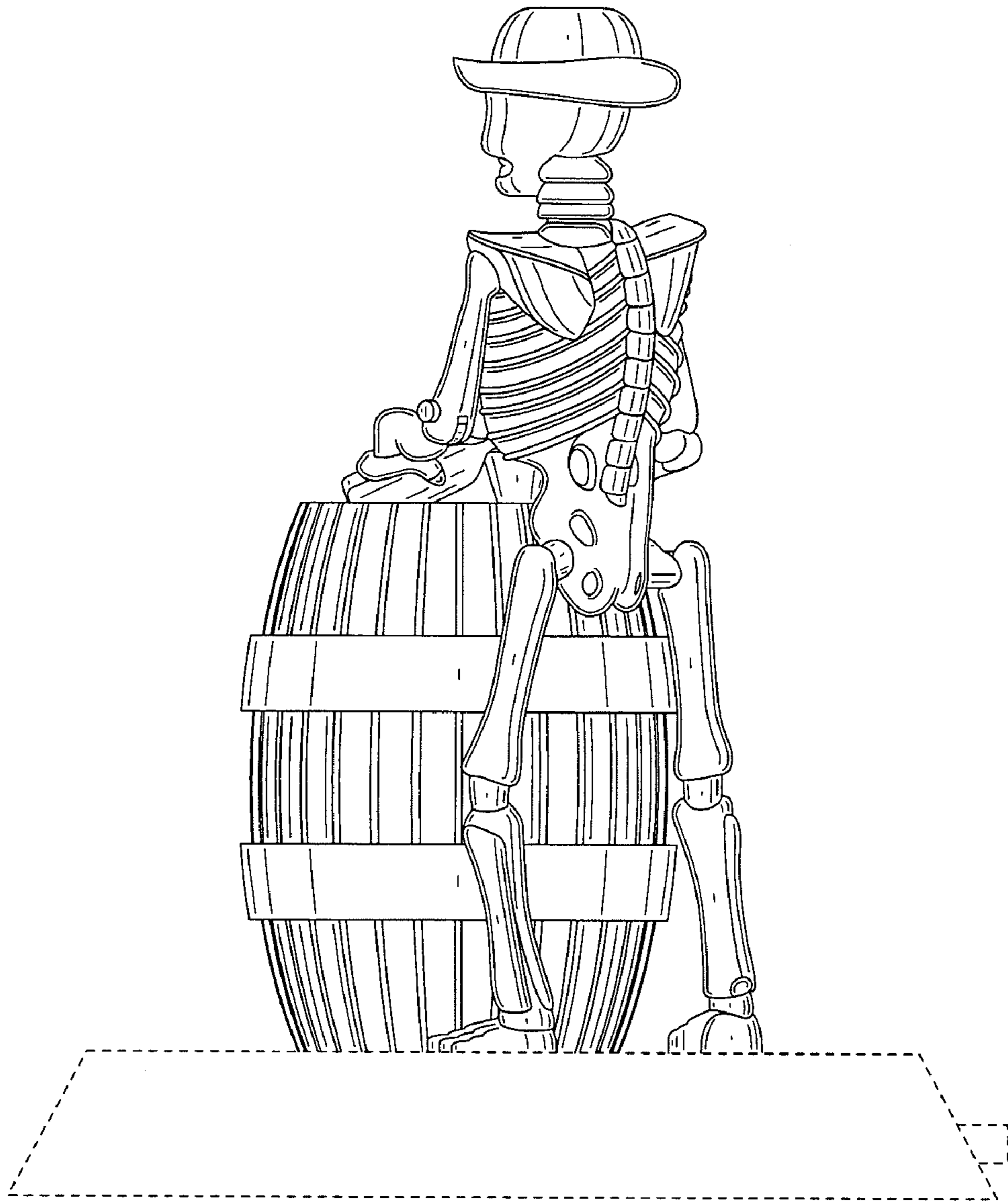


FIGURE 5.

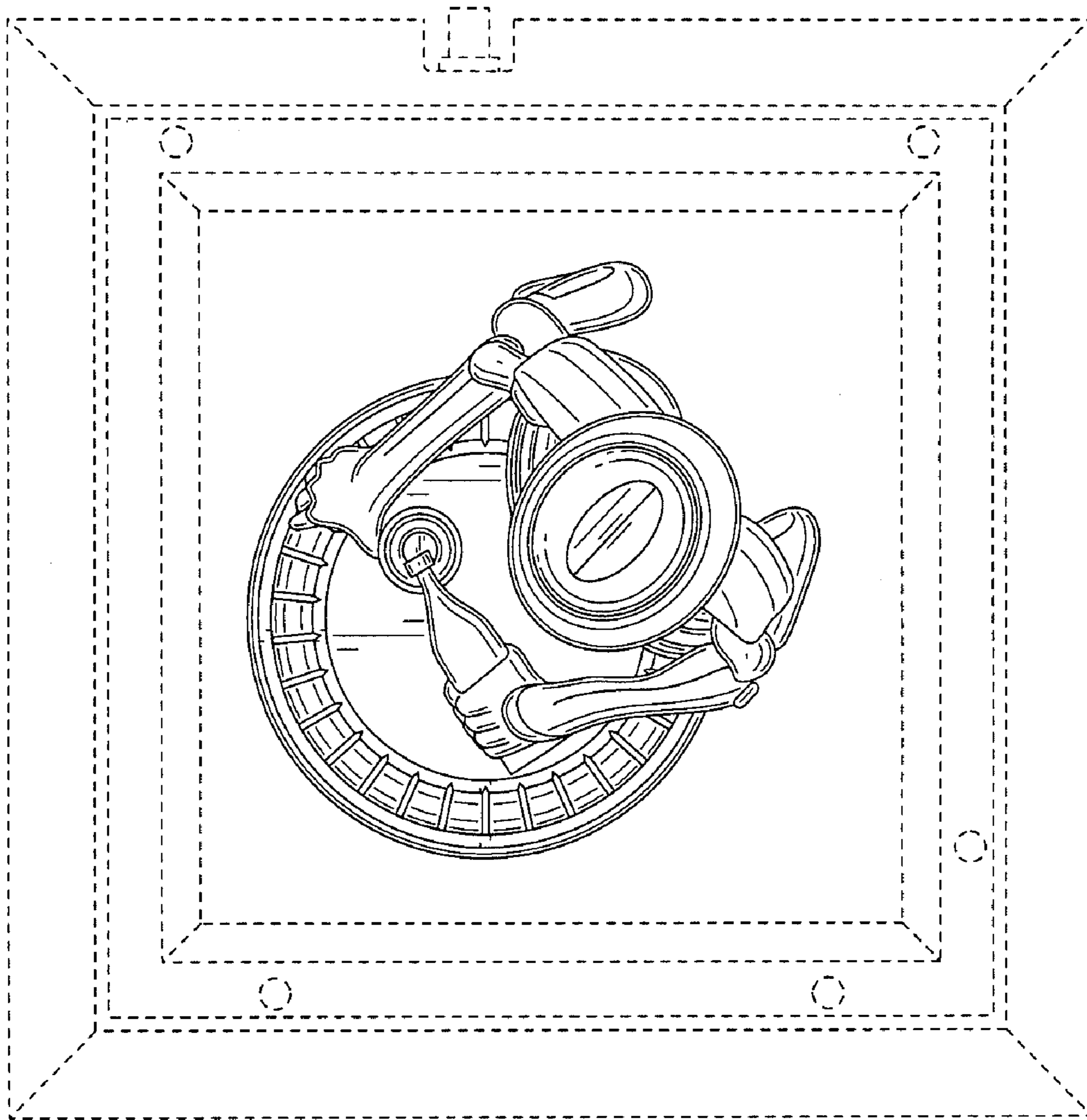


FIGURE 6.

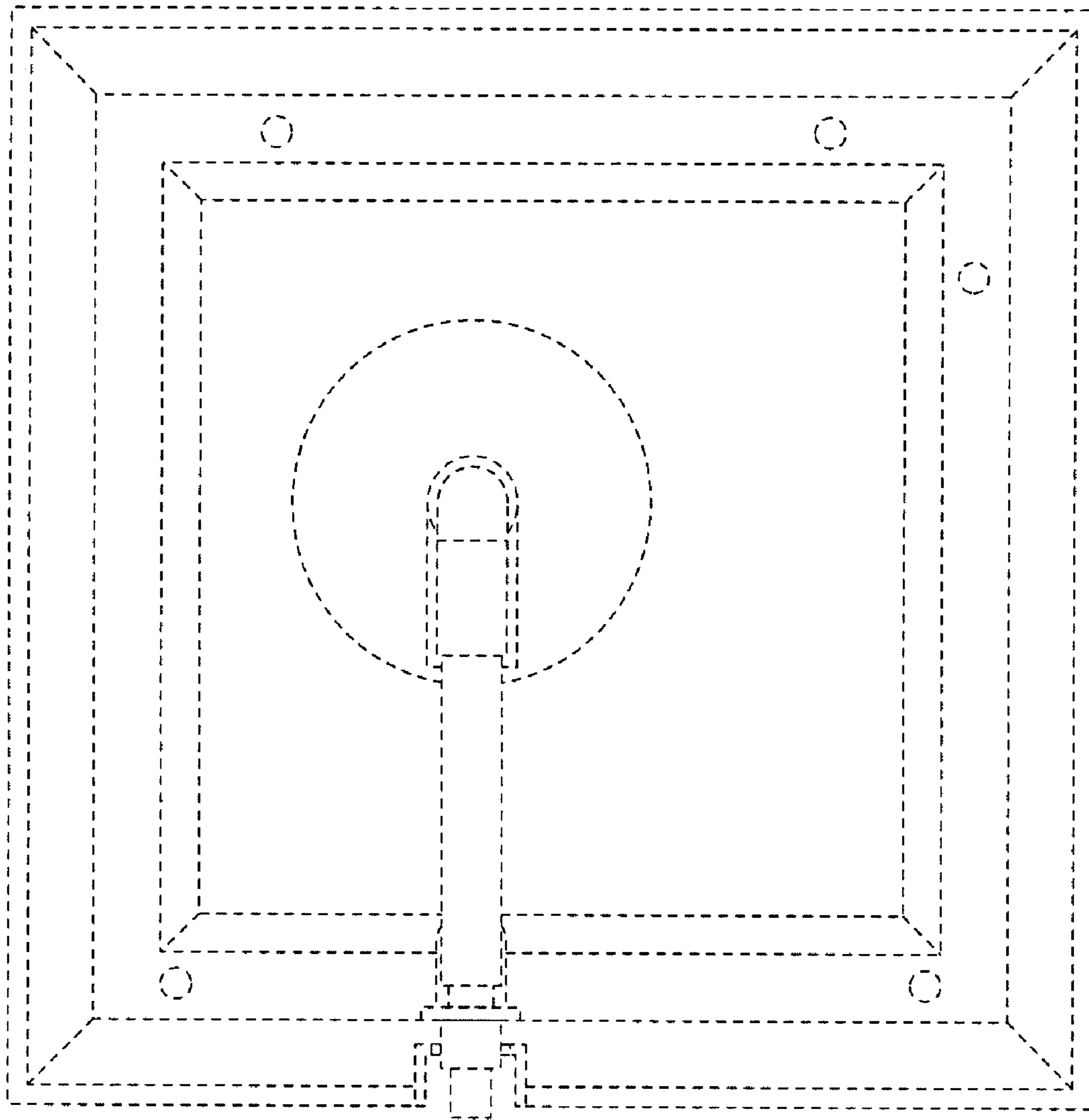


FIGURE 7.

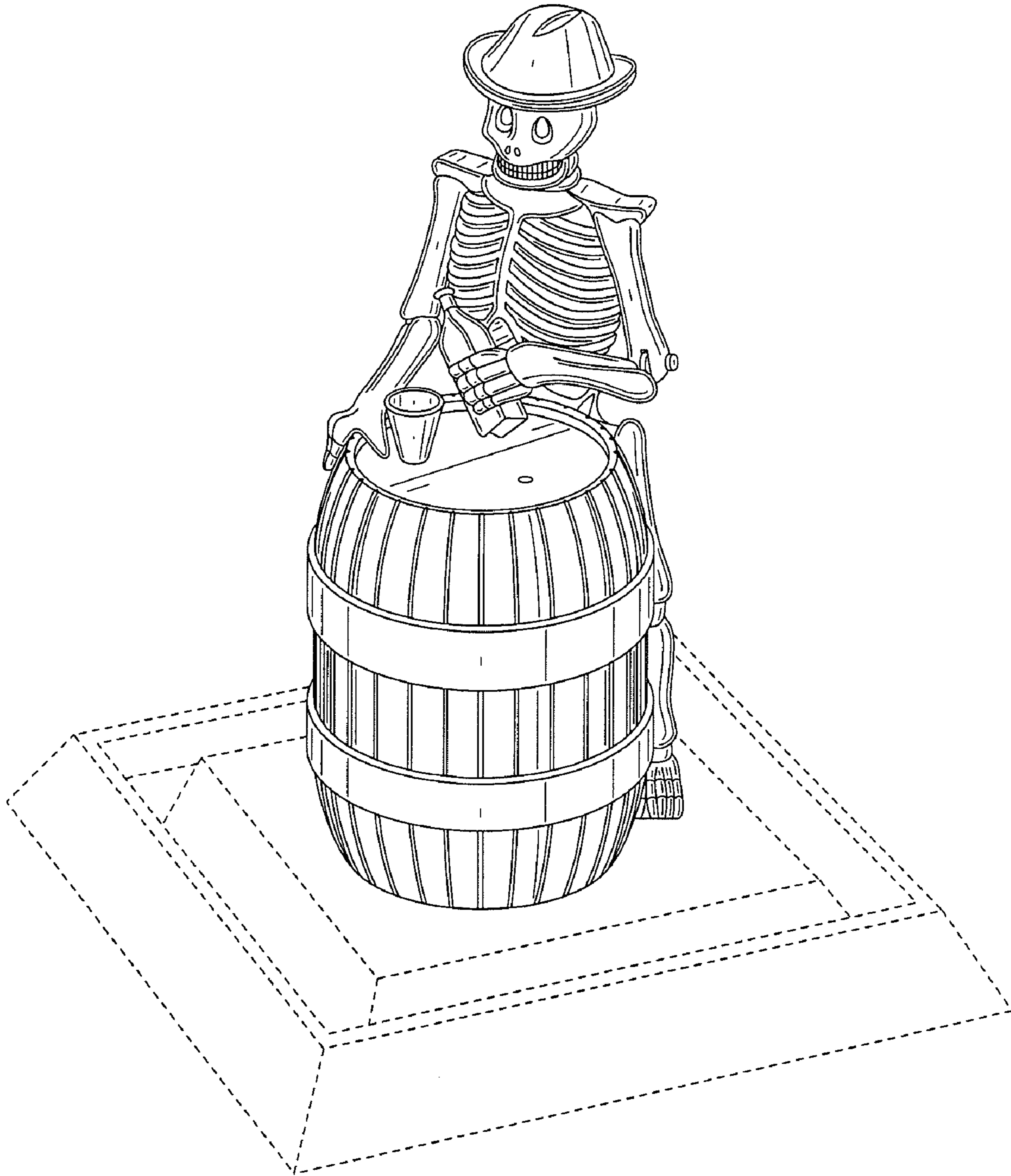


FIGURE 8.

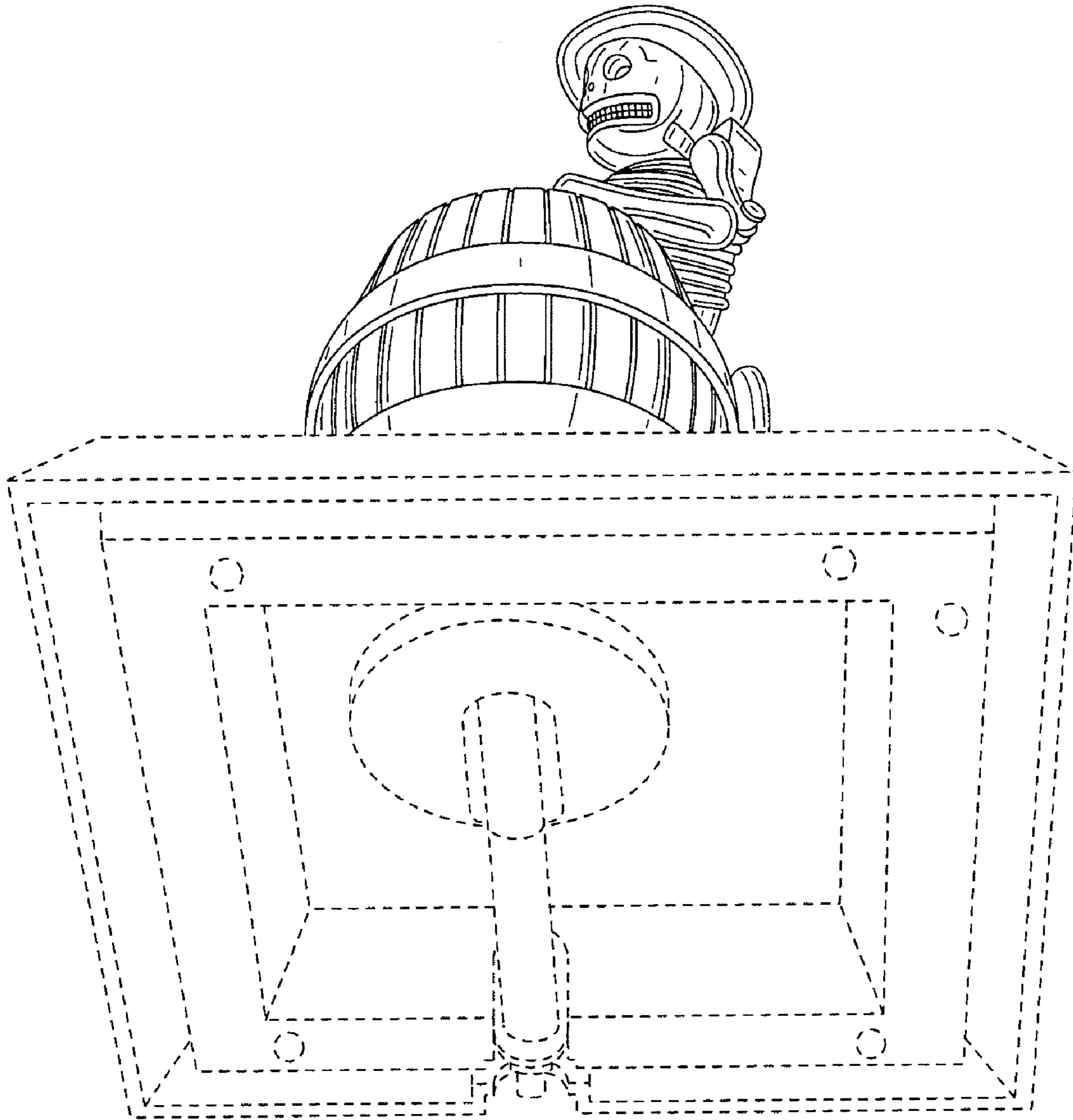


FIGURE 9.

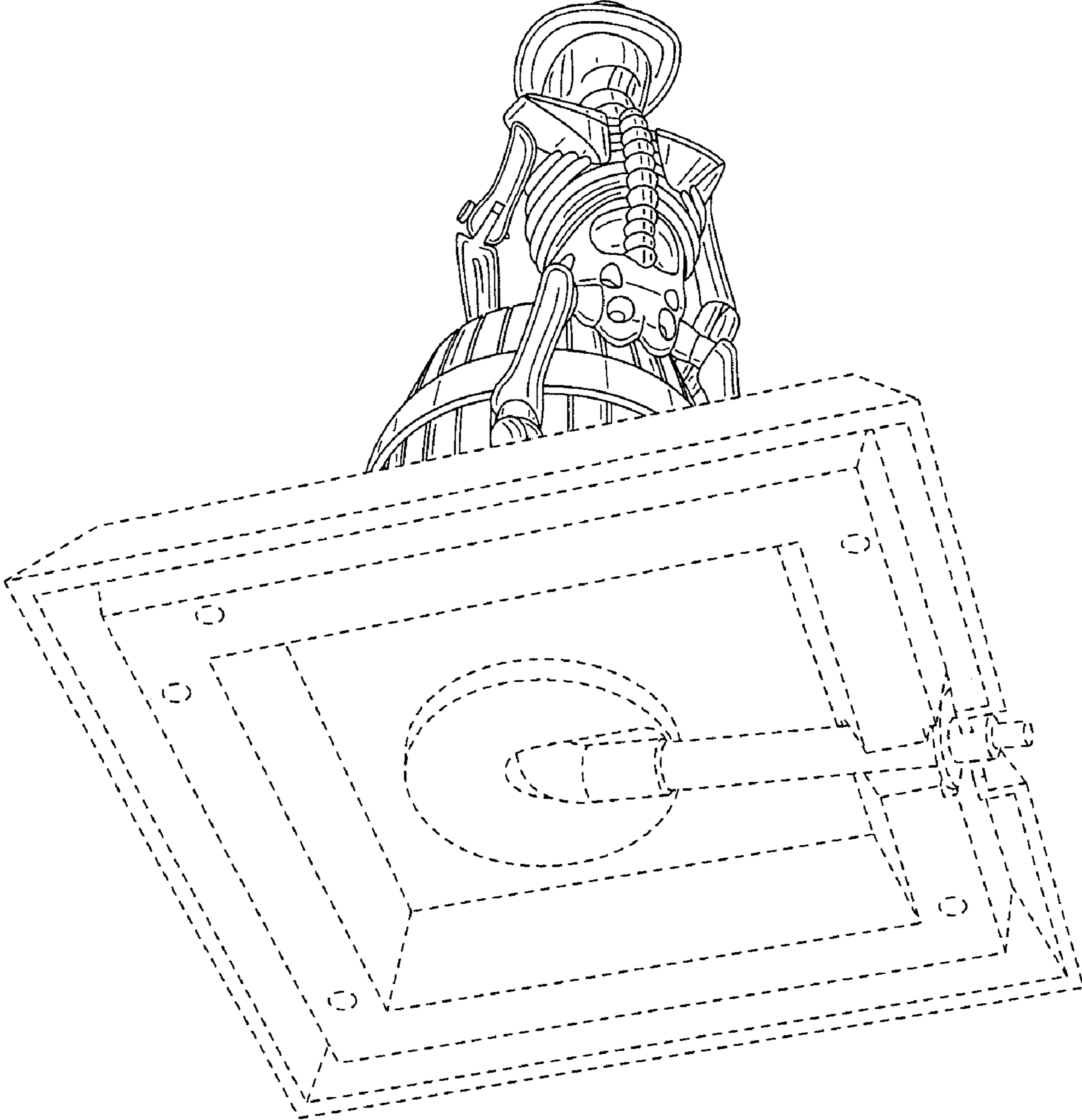


FIGURE 10.