

US00D566892S

(12) **United States Design Patent**
Anderson et al.

(10) **Patent No.:** **US D566,892 S**
(45) **Date of Patent:** **** Apr. 15, 2008**

(54) **COSMETIC APPLICATOR**

(75) Inventors: **Paul M. Anderson**, Lincroft, NJ (US);
Delores Barbara Cross, South Amboy,
NJ (US); **Debra Karen Dowd**, Upper
Montclair, NJ (US); **Dalal Ibrahim**
Esber Duffer, North Brunswick, NJ
(US); **Teresita Vergara Imperial**,
Staten Island, NY (US); **Erlinda**
Dugaduga Leone, Chestnut Ridge, NY
(US); **Donna Jean Lisowski**,
Watchung, NJ (US); **Stanley Matlosz**,
Edison, NJ (US); **Saroja Narasimhan**,
Matawan, NJ (US); **Brenda Karen**
Ruditzky, Teaneck, NJ (US); **Lou Ann**
Christine Vena, Scotch Plains, NJ (US)

5,816,270 A	10/1998	Nadel	132/320
D405,614 S	2/1999	Geardino et al.	D4/135
6,062,231 A	5/2000	De Laforcade	132/145
6,142,157 A	11/2000	De Laforcade	132/208
D442,331 S	5/2001	Pannozzo et al.	D28/7
6,250,312 B1	6/2001	Dasilva	132/208
6,353,959 B1 *	3/2002	Thomas, V	15/167.1
6,408,857 B1	6/2002	Neuner	132/218
6,446,637 B2	9/2002	Gueret	132/218
6,453,909 B1	9/2002	De Laforcade	132/208
D466,305 S	12/2002	Seo	D4/114
6,539,950 B1	4/2003	Gueret	132/218
6,568,404 B2	5/2003	Mitchem	132/112
6,675,814 B2	1/2004	Gueret	132/218
6,688,314 B1	2/2004	Hoeffkes et al.	132/114
6,746,165 B2	6/2004	De Laforcade	401/10
6,748,957 B1	6/2004	Giordano	132/112
6,752,157 B2	6/2004	Lu Shao Hua	132/109

(73) Assignee: **Revlon Consumer Products Corporation**, New York, NY (US)

(Continued)

(**) Term: **14 Years**

FOREIGN PATENT DOCUMENTS

(21) Appl. No.: **29/232,440**

JP 52045445 A * 4/1977

(22) Filed: **Jun. 17, 2005**

Primary Examiner—Cathron Brooks
Assistant Examiner—Lavone D. Tabor
(74) *Attorney, Agent, or Firm*—Joy S. Goudie

(51) **LOC (8) Cl.** **28-02**

(52) **U.S. Cl.** **D28/7; D28/20**

(58) **Field of Classification Search** D4/104,
D4/110, 117, 132, 136, 138; D28/7, 10,
D28/20, 21, 28, 31; 132/137, 142, 207, 215,
132/216, 218, 126, 219, 317, 320, 901
See application file for complete search history.

(57) **CLAIM**

The ornamental design for a cosmetic applicator, as shown and described.

(56) **References Cited**

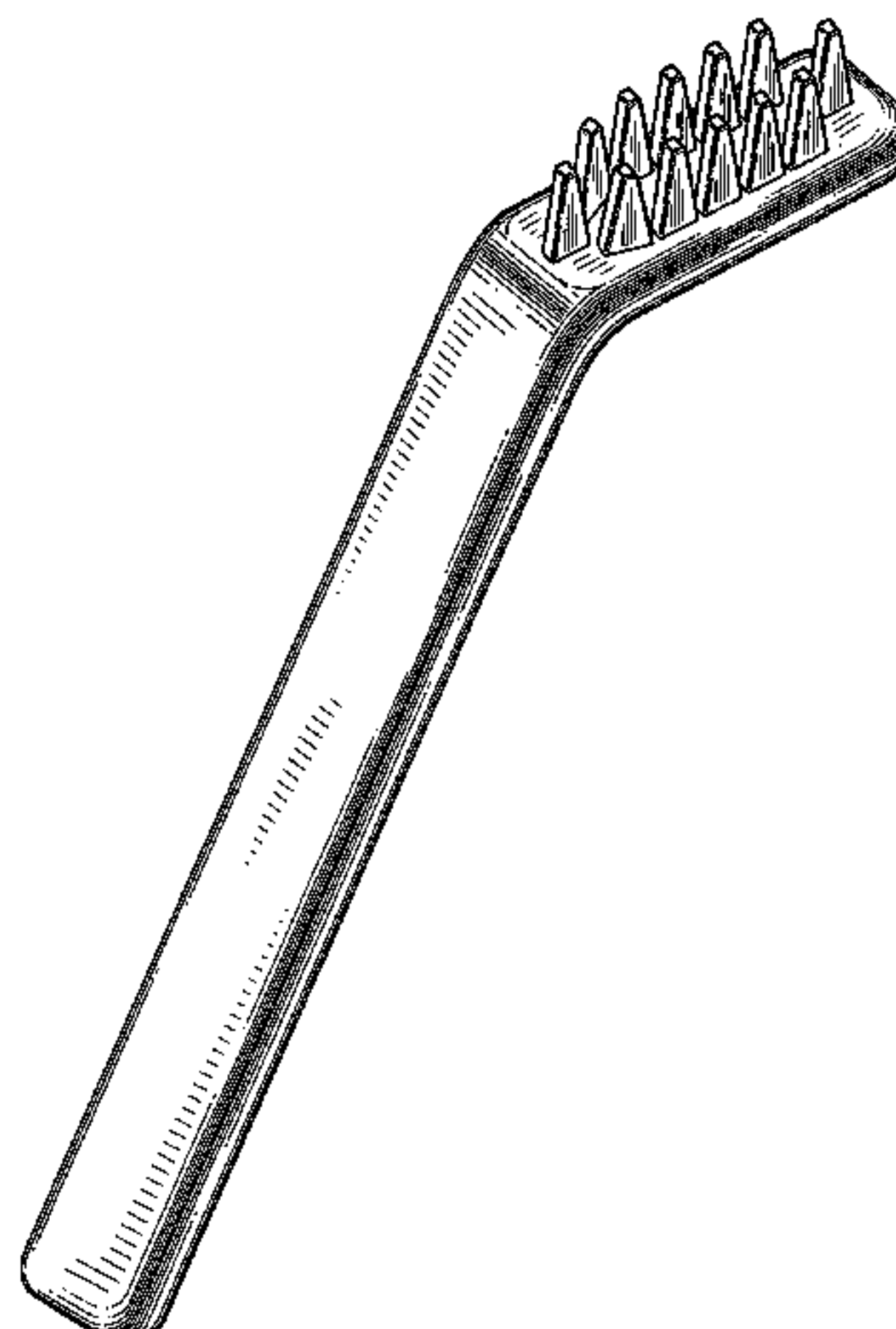
U.S. PATENT DOCUMENTS

2,545,814 A	3/1951	Kempster	15/188
3,133,546 A	5/1964	Dent	132/120
D272,684 S *	2/1984	Stocchi	D4/110
D296,841 S *	7/1988	Bushey	D4/104
5,032,082 A	7/1991	Herrera	433/141
D338,341 S *	8/1993	Colon et al.	D4/117
D358,206 S *	5/1995	Smith	D4/104
D394,730 S *	5/1998	Olsson	D28/7

DESCRIPTION

FIG. 1 is a top perspective view of a cosmetic applicator;
FIG. 2 is a bottom plan view thereof;
FIG. 3 is a right side elevational view thereof;
FIG. 4 is a left side elevational view thereof;
FIG. 5 is a top plan view thereof;
FIG. 6 is a front elevational view thereof; and,
FIG. 7 is a rear elevational view thereof.

1 Claim, 5 Drawing Sheets



US D566,892 S

Page 2

U.S. PATENT DOCUMENTS

6,814,084	B2	11/2004	Gueret	132/218	2004/0168697	A1	9/2004	Brown	132/139
6,872,228	B1	3/2005	Lenzi-Brangi	8/110	2004/0182408	A1	9/2004	De LaForcade	132/112
2001/0018920	A1	9/2001	De Laforcade	132/114	2004/0194796	A1	10/2004	Brughaus	132/108
2001/0029960	A1	10/2001	Asano	132/116	2004/0210979	A1	10/2004	De LaForcade	2/159
2002/0185145	A1	12/2002	Mitchem	132/112	2004/0211437	A1	10/2004	Kennedy et al.	132/108
2003/0041869	A1	3/2003	Dovergne et al.	132/116	2004/0216759	A1	11/2004	Elmer et al.	132/270
2003/0135937	A1	7/2003	Barrass et al.	8/408	2004/0231690	A1	11/2004	De Benedictis	132/270
2004/0031502	A1	2/2004	Winckels et al.	132/270	2005/0028835	A1	2/2005	Husband et al.	132/270
2004/0065338	A1	4/2004	Colacioppo et al.	132/126	2005/0039768	A1	2/2005	Winckels	132/208
2004/0089316	A1	5/2004	Hamilton et al.	132/208	2005/0066989	A1	3/2005	Colacioppo	132/126

* cited by examiner

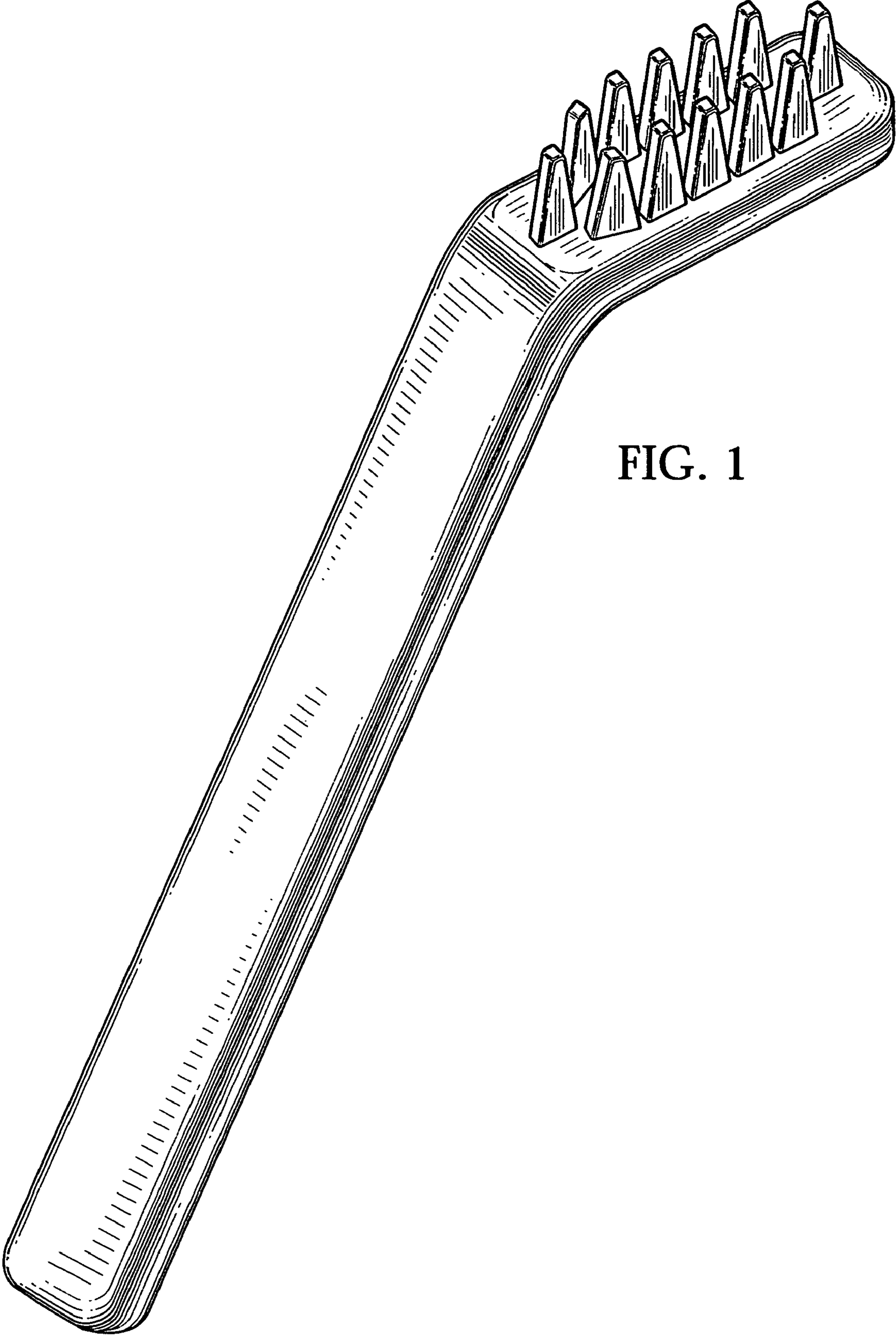


FIG. 1

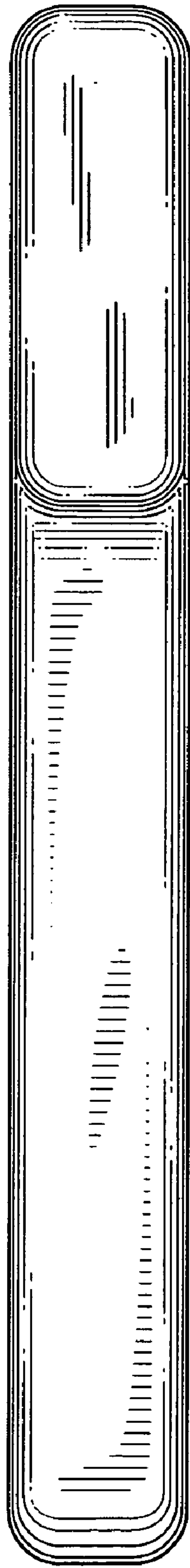


FIG. 2

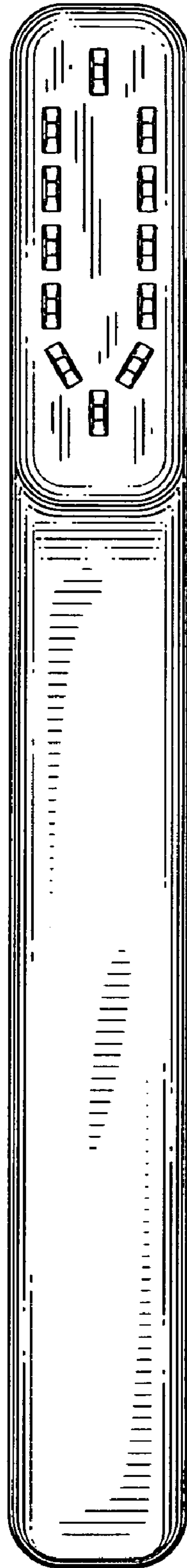


FIG. 5

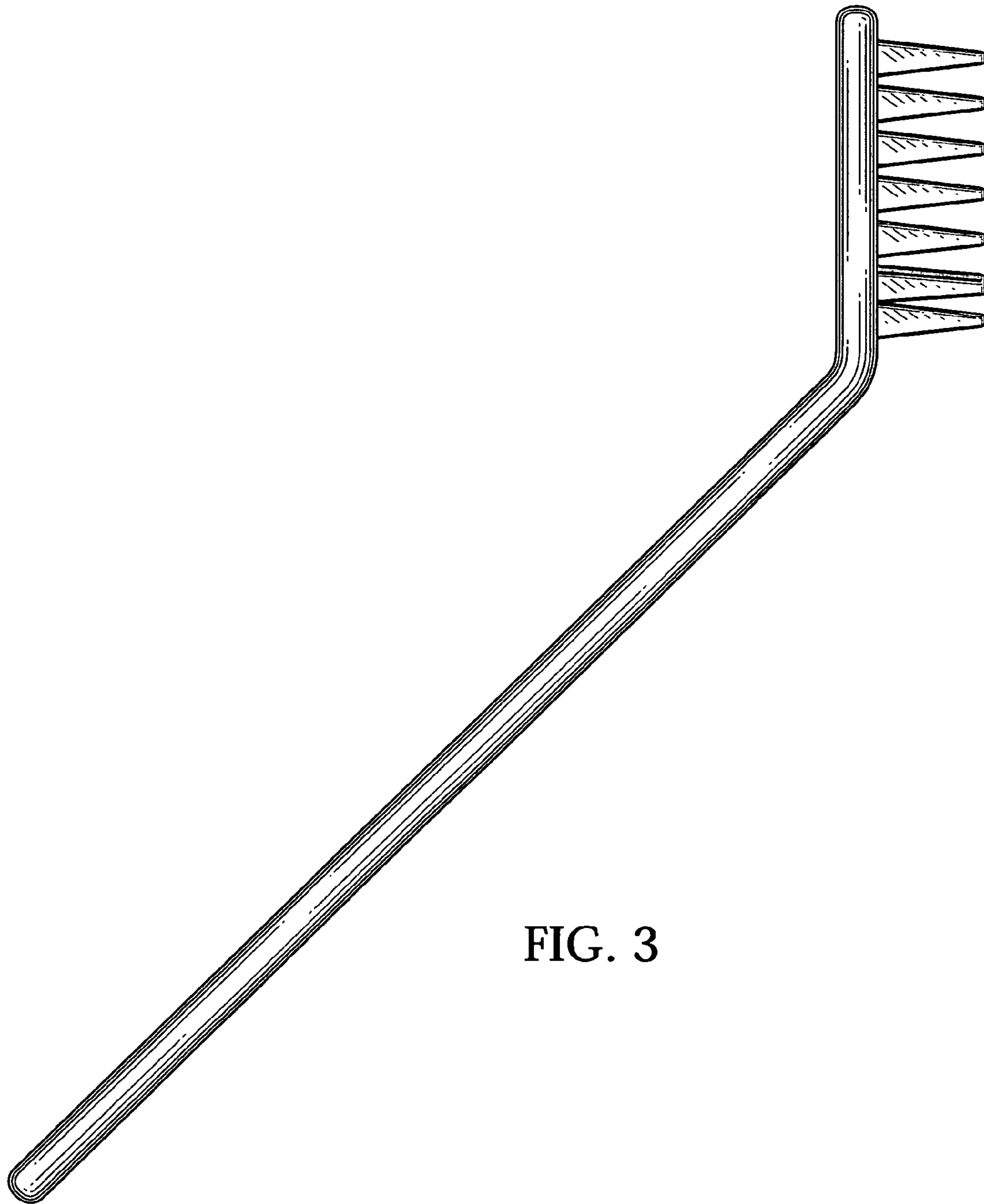


FIG. 3

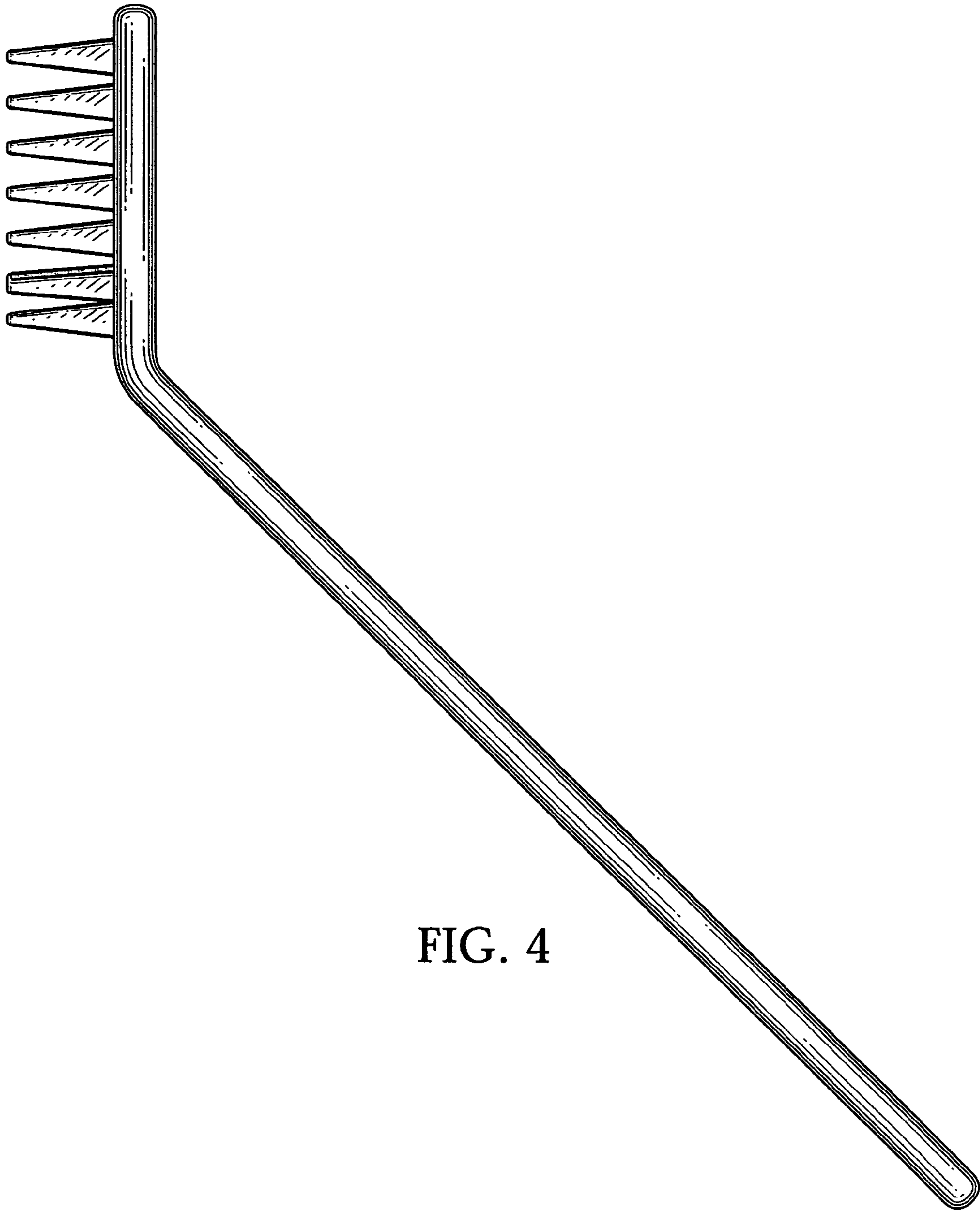


FIG. 4

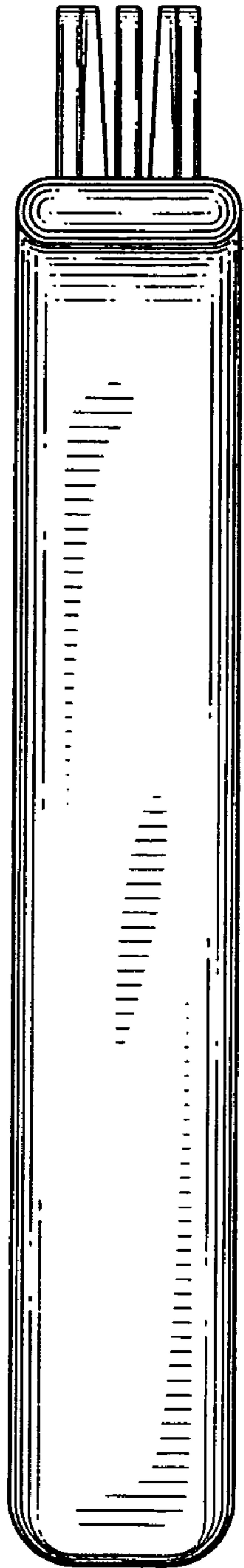


FIG. 6

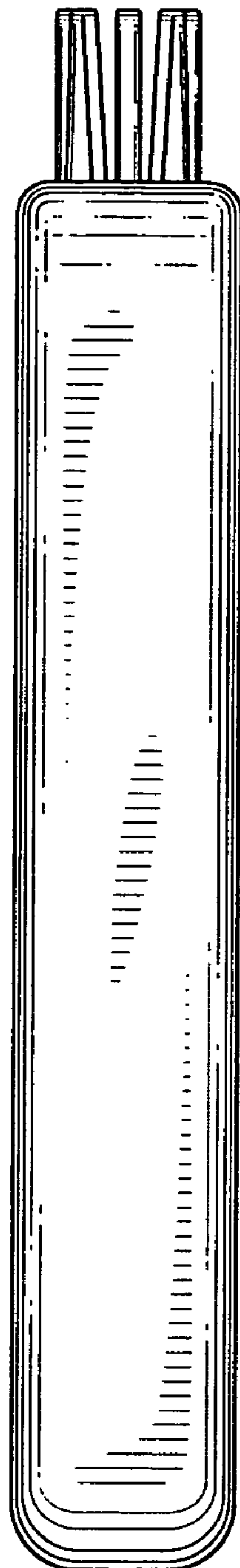


FIG. 7