



US00D566891S

(12) **United States Design Patent**
Norris et al.

(10) **Patent No.:** **US D566,891 S**
(45) **Date of Patent:** **** Apr. 15, 2008**

(54) **DENTIFRICE**

(75) Inventors: **Joseph T. Norris**, West Windsor, NJ
(US); **John C. Crawford**, Mahopac,
NY (US)

(73) Assignee: **Colgate-Palmolive Company**, New
York, NY (US)

(**) Term: **14 Years**

(21) Appl. No.: **29/284,687**

(22) Filed: **Sep. 13, 2007**

Related U.S. Application Data

(62) Division of application No. 29/235,710, filed on Aug.
4, 2005, now Pat. No. Des. 555,828.

(51) **LOC (8) Cl.** **28-02**

(52) **U.S. Cl.** **D28/4**

(58) **Field of Classification Search** 424/49-58,
424/401; D28/4, 5, 8.1, 8.2; 510/133, 141
See application file for complete search history.

(56) **References Cited**

U.S. PATENT DOCUMENTS

5,823,387 A 10/1998 Manadanas et al.
5,993,784 A * 11/1999 Hill 424/49
6,126,923 A 10/2000 Burke et al.

D456,099 S * 4/2002 Look D28/77
D497,686 S * 10/2004 Boyd D28/4
D512,201 S * 12/2005 Boyd D28/4
2005/0260141 A1 * 11/2005 Alexander 424/49

FOREIGN PATENT DOCUMENTS

GB 2087381 12/1999

* cited by examiner

Primary Examiner—Jennifer Rivard

(74) *Attorney, Agent, or Firm*—Michael J. Wallace, Jr.

(57) **CLAIM**

The ornamental design for a dentifrice, as shown and
described.

DESCRIPTION

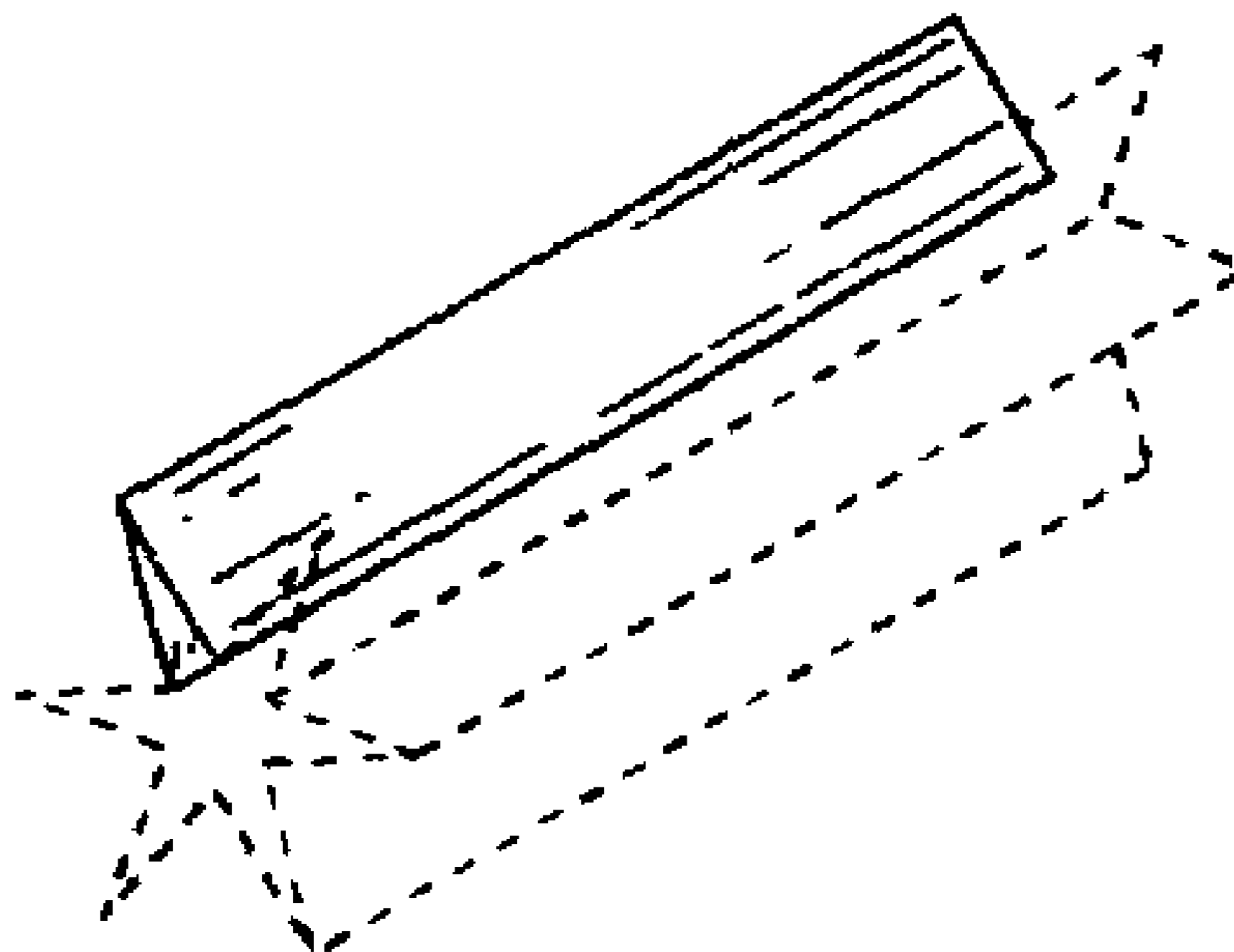
FIG. 1 is a perspective view of the dentifrice of our design;
FIG. 2 is a left side elevation view, the right side being a
mirror image thereof;

FIG. 3 is a front elevation view thereof; and,

FIG. 4 is a top plan view, the bottom plan view being a
mirror image thereof.

The broken lines showing part of a dentifrice segment in
FIGS. 1 through 4 are for illustrative purposes only and form
no part of the claimed design.

1 Claim, 1 Drawing Sheet



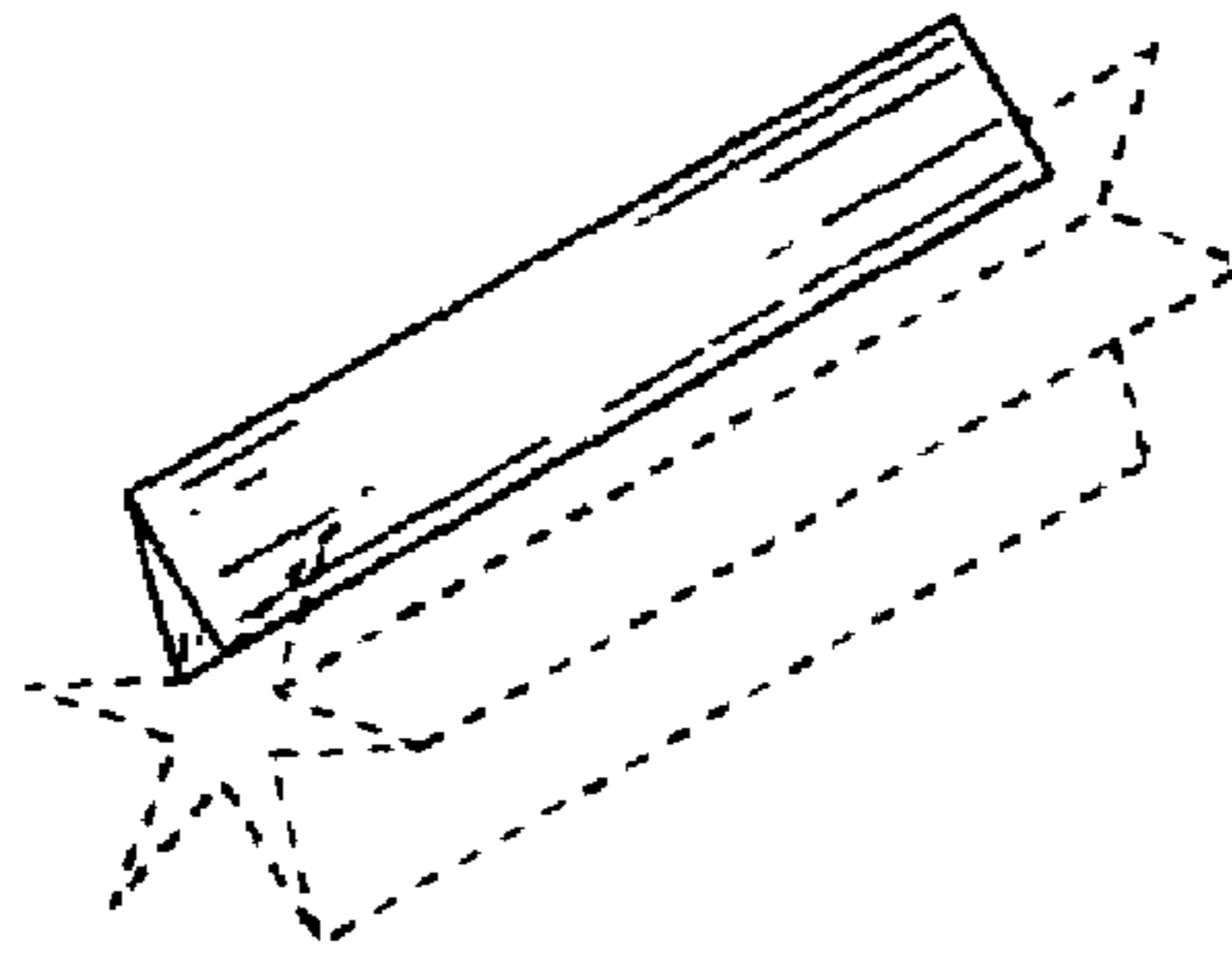


FIG. 1

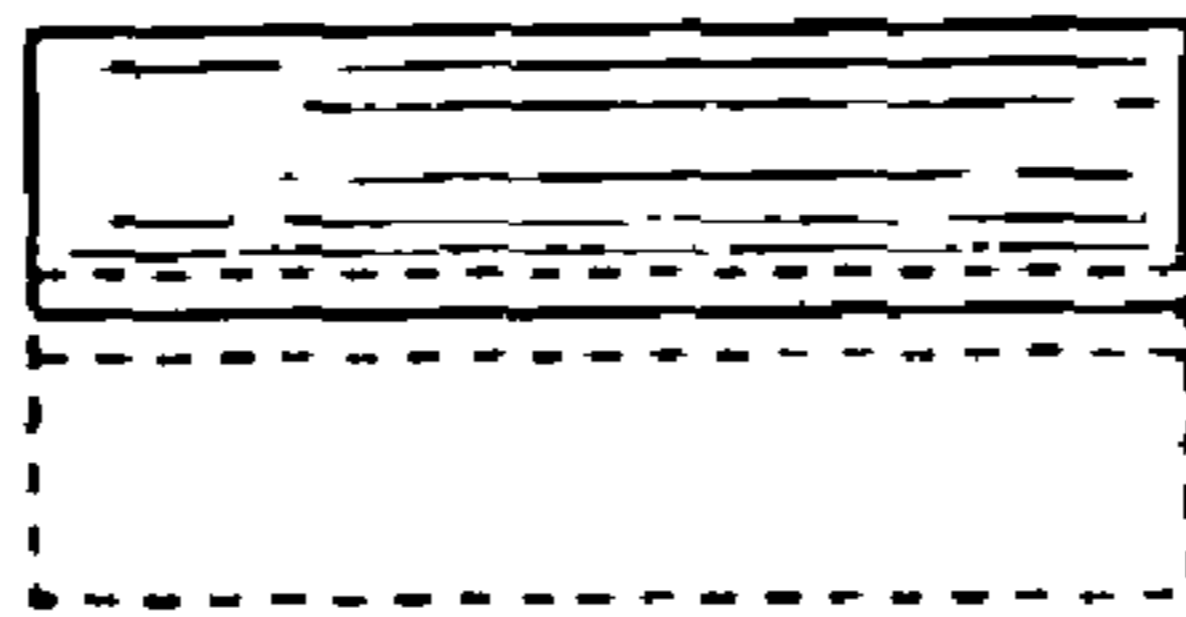


FIG. 2



FIG. 3

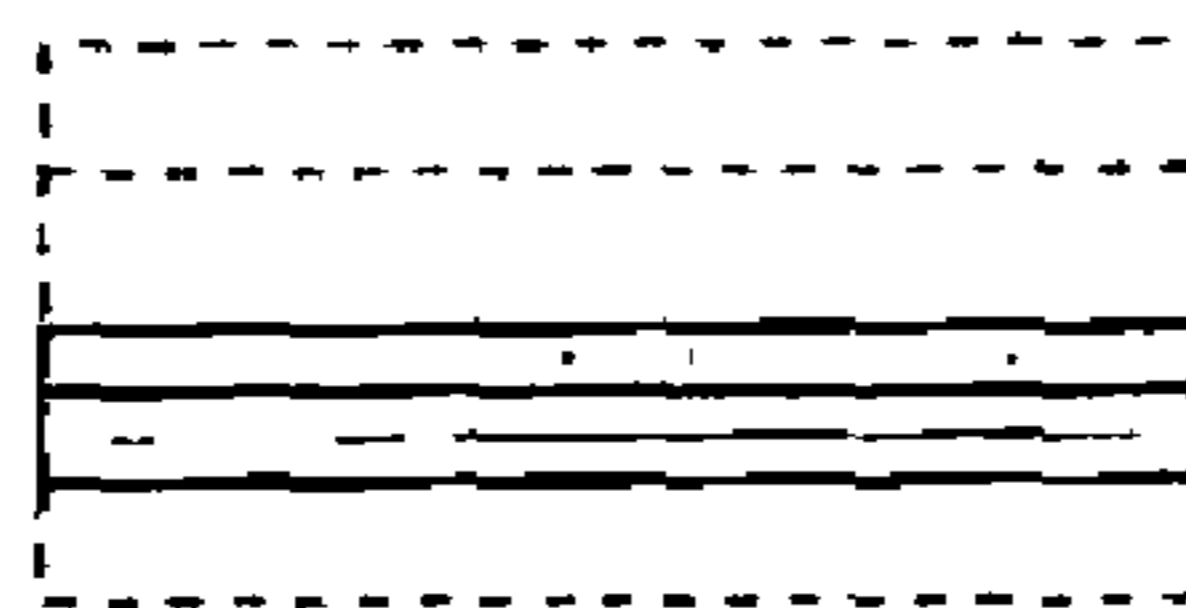


FIG. 4