



US00D566887S

(12) **United States Design Patent**
Hui

(10) **Patent No.:** **US D566,887 S**

(45) **Date of Patent:** **** Apr. 15, 2008**

(54) **COMBINED LIGHTER AND ADAPTER**

(75) Inventor: **Chong Yiu Hui**, Junk Bay (HK)

(73) Assignee: **Oneworld Global Manufacturing Solutions Limited**, Kowloon Bay (HK)

(**) Term: **14 Years**

(21) Appl. No.: **29/273,375**

(22) Filed: **Mar. 5, 2007**

(30) **Foreign Application Priority Data**

Nov. 13, 2006 (HK) 0602965

(51) **LOC (8) Cl.** **27-05**

(52) **U.S. Cl.** **D27/141; D27/142; D13/144**

(58) **Field of Classification Search** D27/142,
D27/141; D13/144; 431/253; 439/668
See application file for complete search history.

(56) **References Cited**

U.S. PATENT DOCUMENTS

D298,662 S * 11/1988 Honjo D27/141
D300,263 S * 3/1989 Charet et al. D27/142
D312,707 S * 12/1990 Demory D27/141

D491,308 S * 6/2004 Sheen D27/141
2007/0249216 A1* 10/2007 Cheng 439/668

* cited by examiner

Primary Examiner—Jennifer Rivard

(74) *Attorney, Agent, or Firm*—Buchanan Ingersoll & Rooney PC

(57) **CLAIM**

I claim the ornamental design for a combined lighter and adapter, as shown and described.

DESCRIPTION

FIG. 1 is a back right perspective view of a combined lighter and adapter showing my new design;

FIG. 2 is a left front perspective view thereof;

FIG. 3 is a front view thereof;

FIG. 4 is a back view thereof;

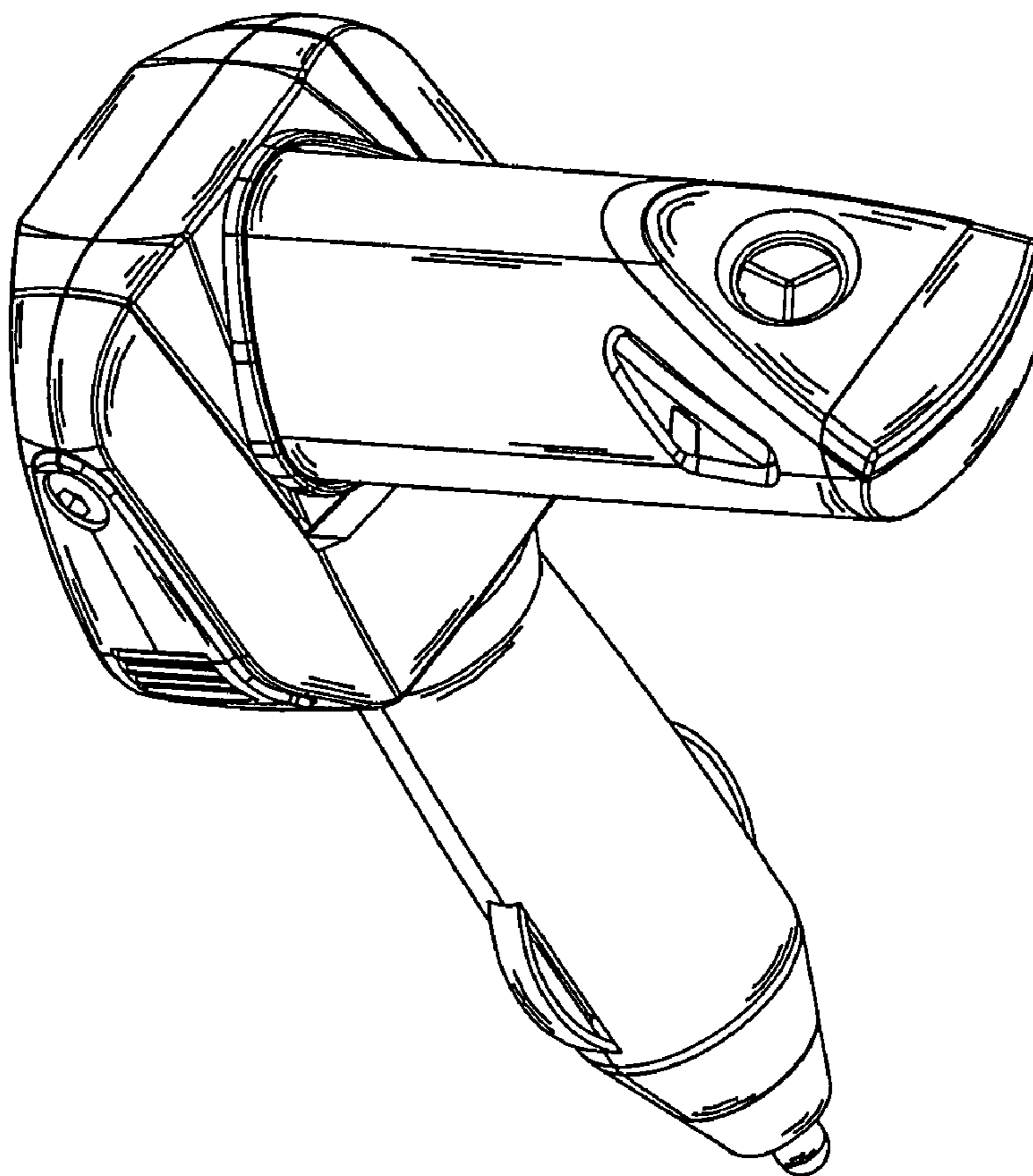
FIG. 5 is a top view thereof;

FIG. 6 is a bottom view thereof;

FIG. 7 is a right side view thereof; and,

FIG. 8 is a left side view thereof;

1 Claim, 7 Drawing Sheets



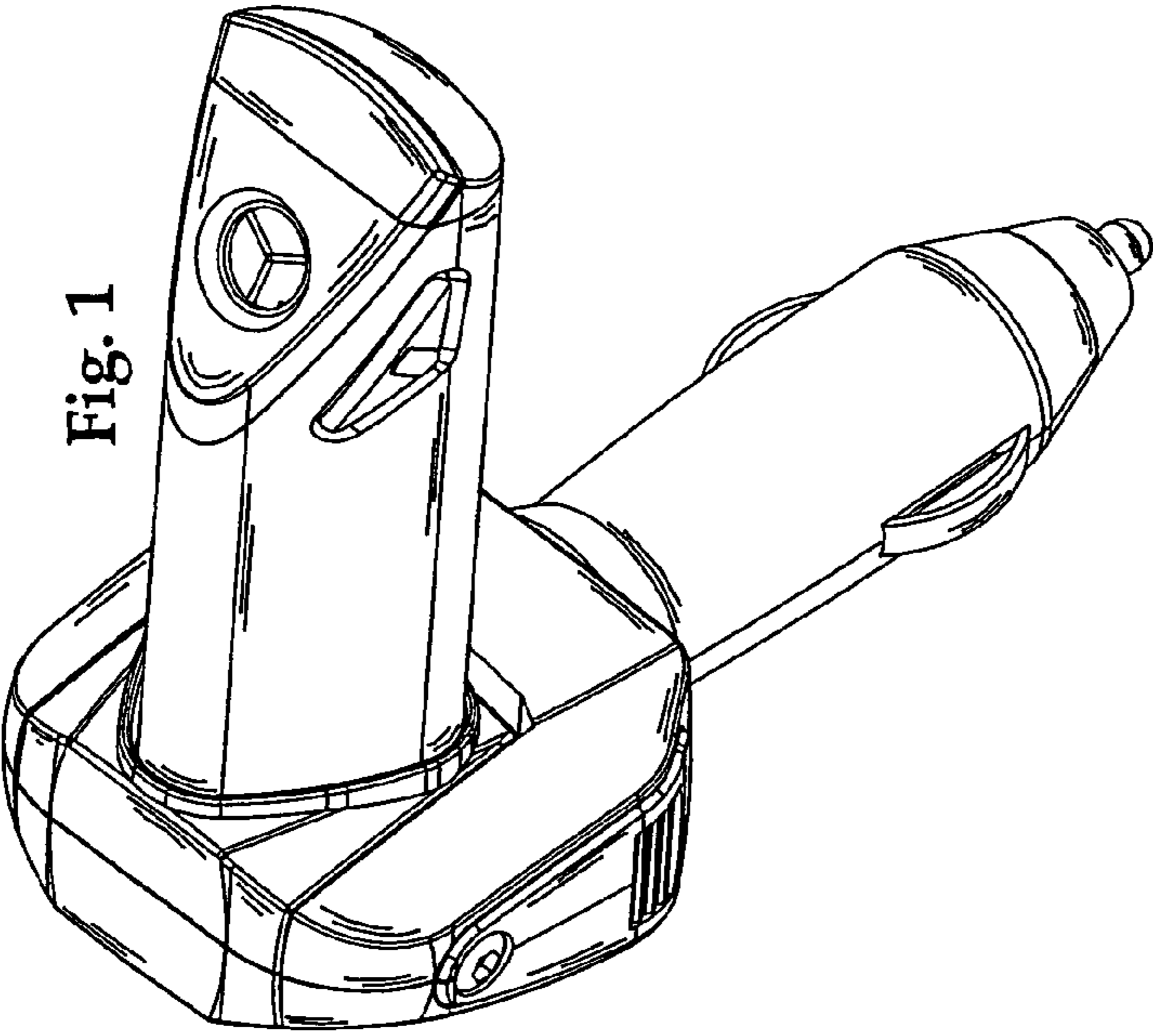


Fig. 1

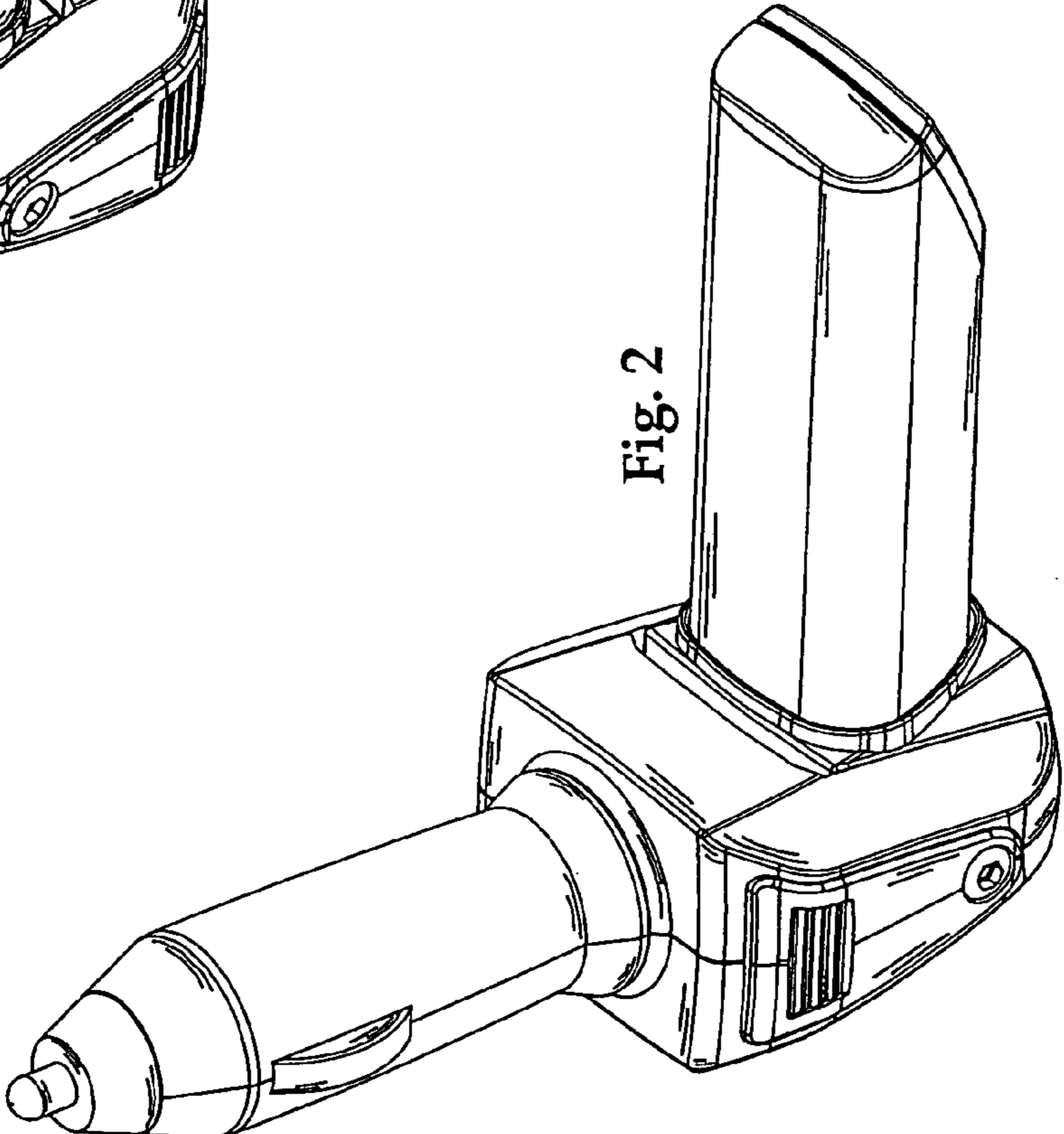


Fig. 2

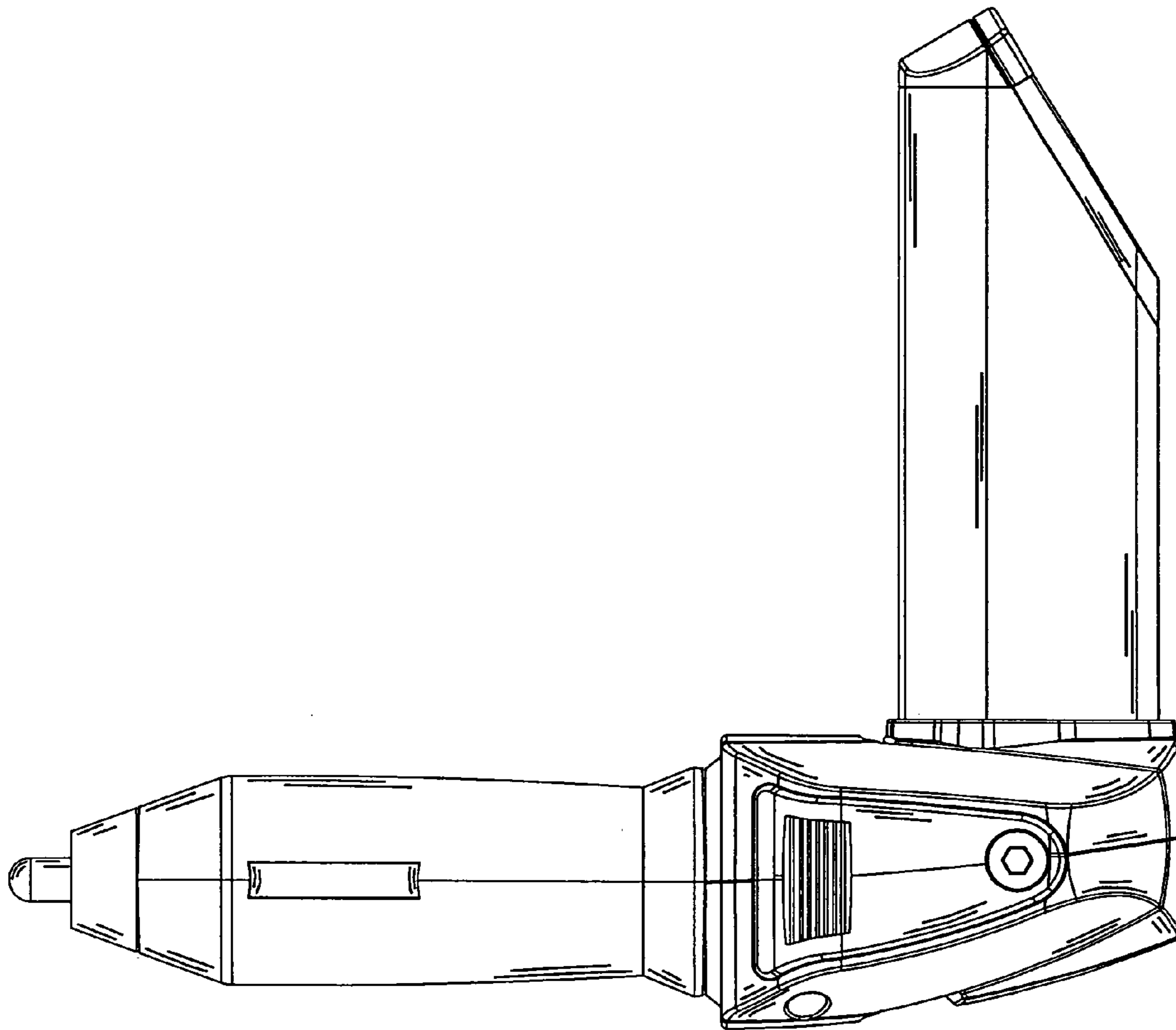


Fig. 3

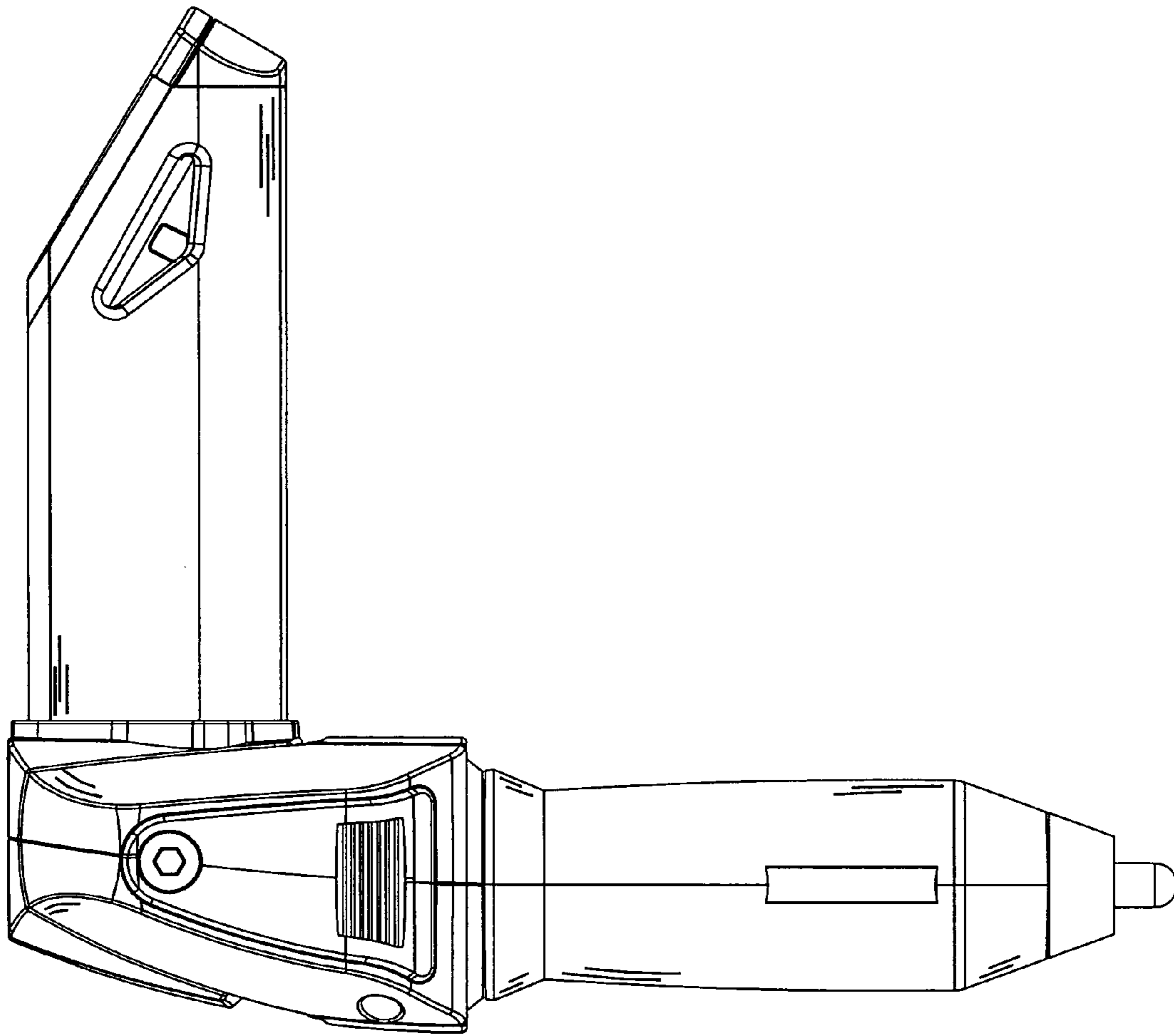


Fig. 4

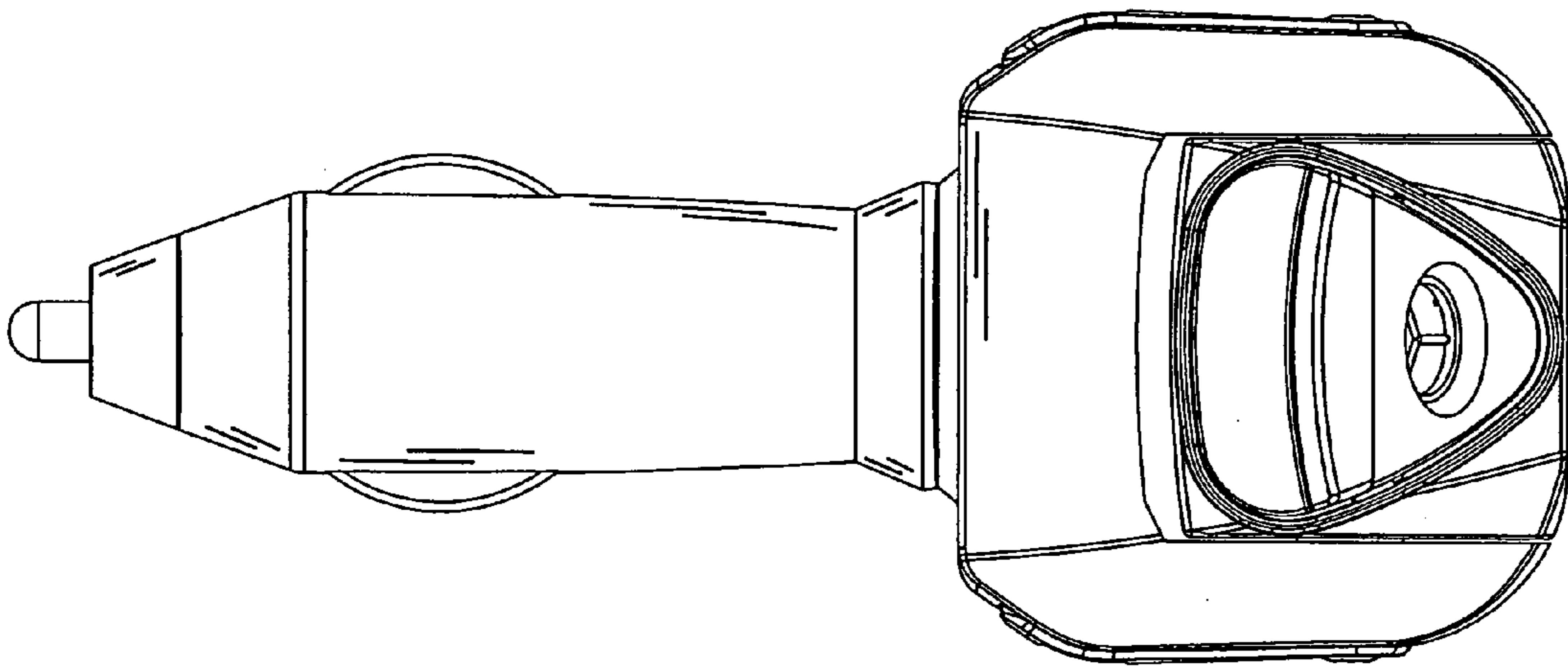


Fig. 5

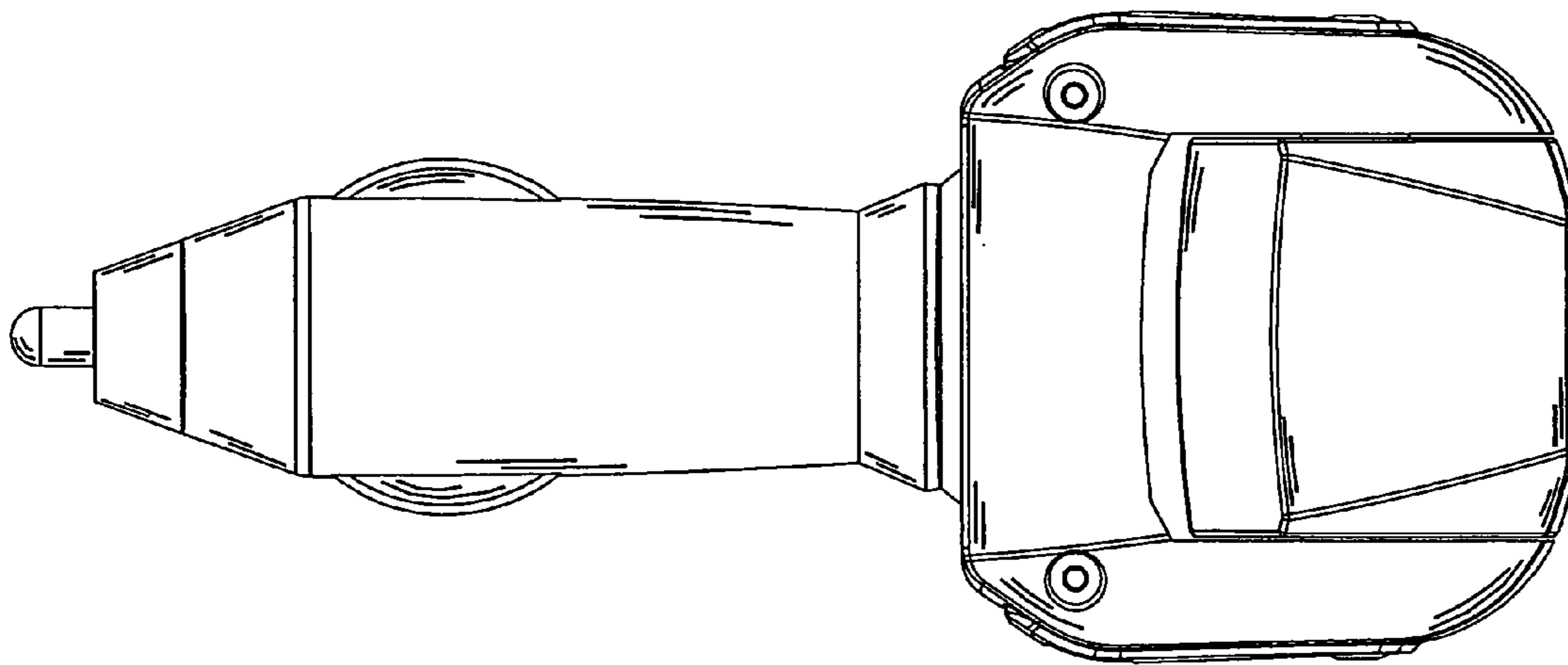


Fig. 6

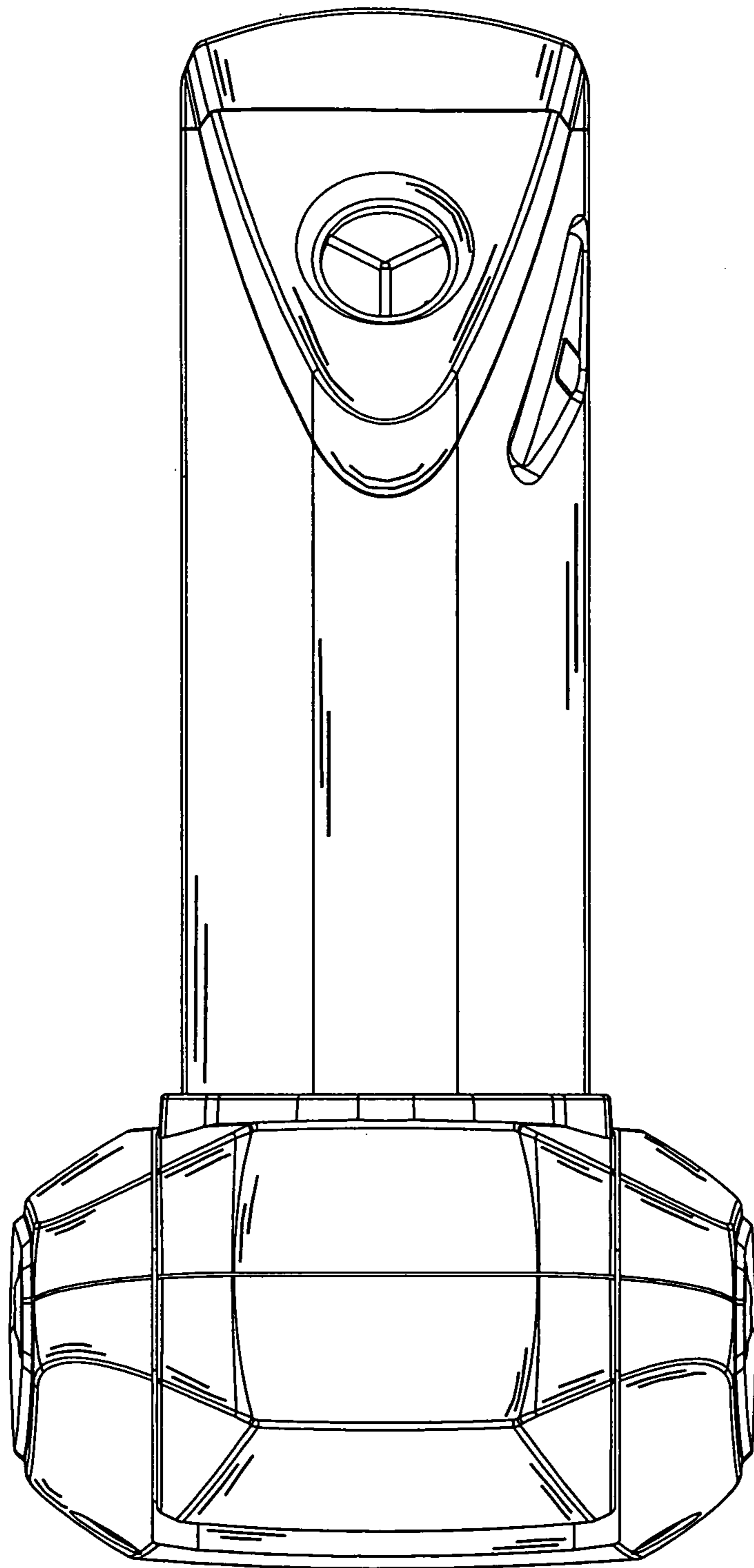


Fig. 7

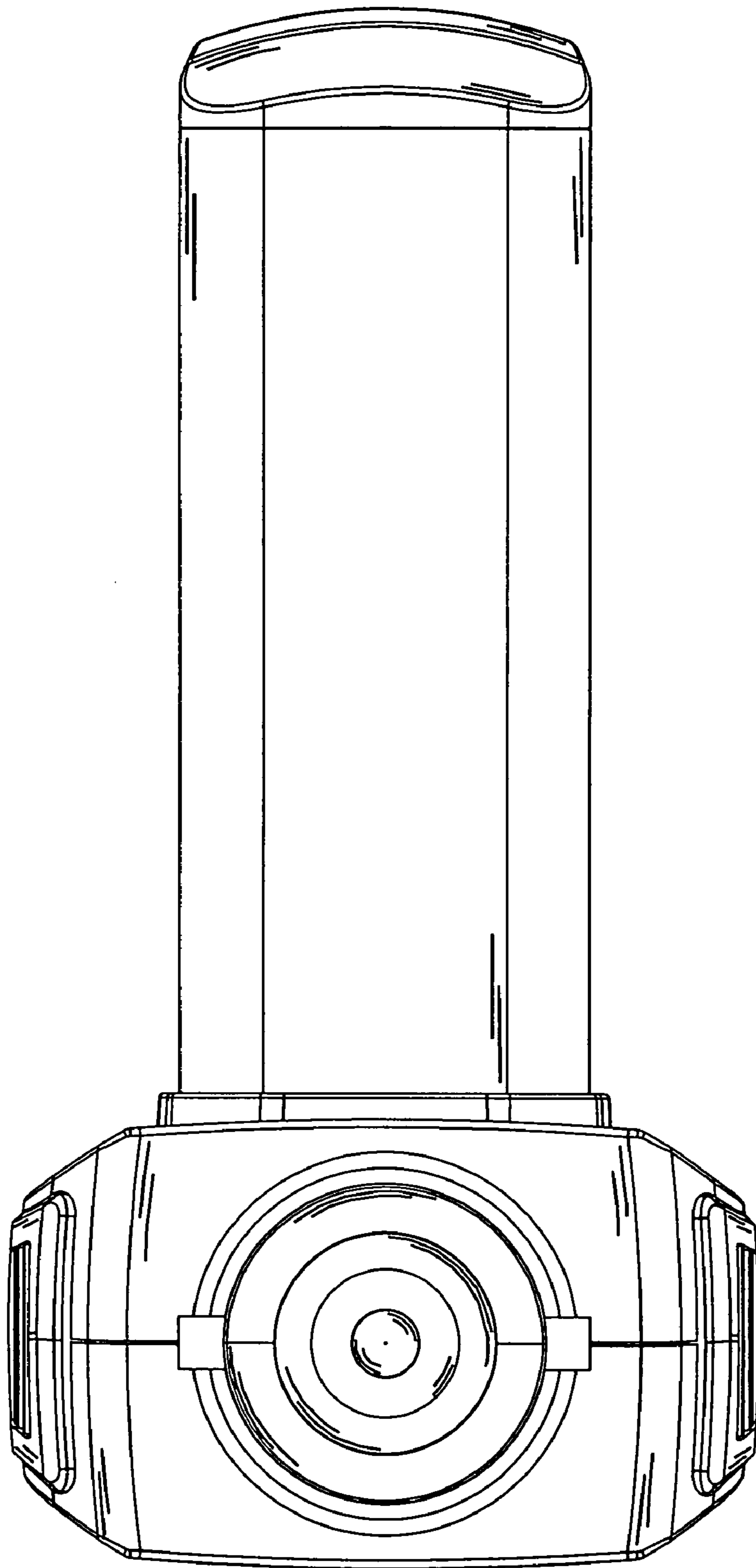


Fig. 8