

US00D566883S

(12) **United States Design Patent**  
**Opolka**

(10) **Patent No.:** **US D566,883 S**

(45) **Date of Patent:** **\*\* Apr. 15, 2008**

(54) **HUMANOID LAMP**

(75) Inventor: **Rainer Opolka**, Solingen (DE)

(73) Assignee: **Zweibruder Optoelectronics GmbH**,  
Solingen (DE)

(\*\*) Term: **14 Years**

(21) Appl. No.: **29/269,409**

(22) Filed: **Nov. 29, 2006**

(30) **Foreign Application Priority Data**

Jun. 12, 2006 (EP) ..... 000542675

(51) **LOC (8) Cl.** ..... **26-03**

(52) **U.S. Cl.** ..... **D26/99**

(58) **Field of Classification Search** ..... D26/51-66,  
D26/93-112; D6/399, 418, 450, 453; D11/158,  
D11/160; D21/576-579, 621; 446/97, 102,  
446/175, 219, 484, 485; 362/410-414, 98,  
362/253, 800, 806, 808

See application file for complete search history.

(56) **References Cited**

**U.S. PATENT DOCUMENTS**

D72,690 S \* 5/1927 Baldwin ..... D26/99

D113,238 S \* 2/1939 Reighard ..... D21/621  
D301,635 S \* 6/1989 Bellini et al. .... D26/98  
D345,028 S \* 3/1994 Alvarez Baranga ..... D26/99  
D438,666 S \* 3/2001 Vonner, II ..... D26/99  
D492,359 S \* 6/2004 So ..... D10/15  
D512,528 S \* 12/2005 Lo ..... D26/99  
D545,479 S \* 6/2007 Opolka ..... D26/99

\* cited by examiner

*Primary Examiner*—Cathron Brooks

*Assistant Examiner*—Linda Brooks

(74) *Attorney, Agent, or Firm*—Andrew Wilford

(57) **CLAIM**

The ornamental design for a humanoid lamp, as shown.

**DESCRIPTION**

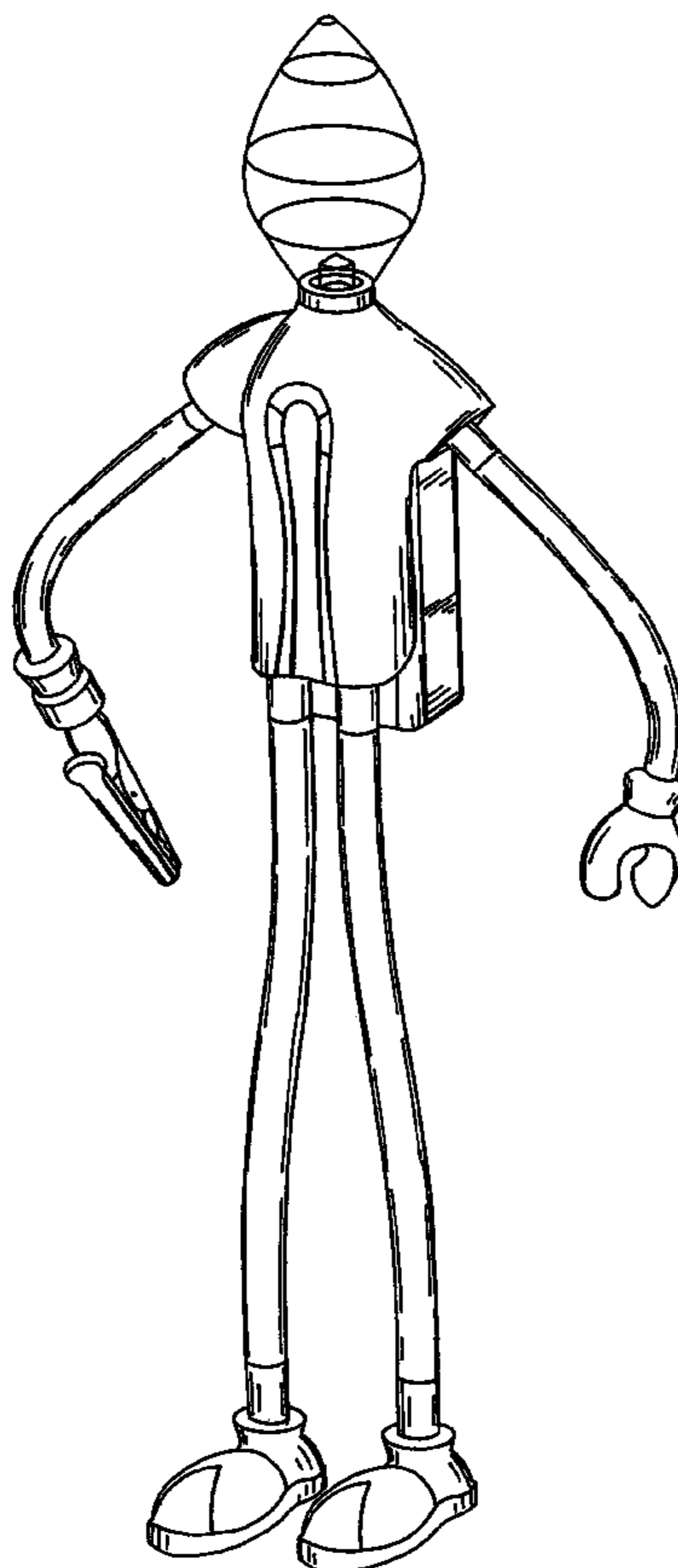
FIGS. 1 and 2 are front and back elevational views of the humanoid lamp according to the invention;

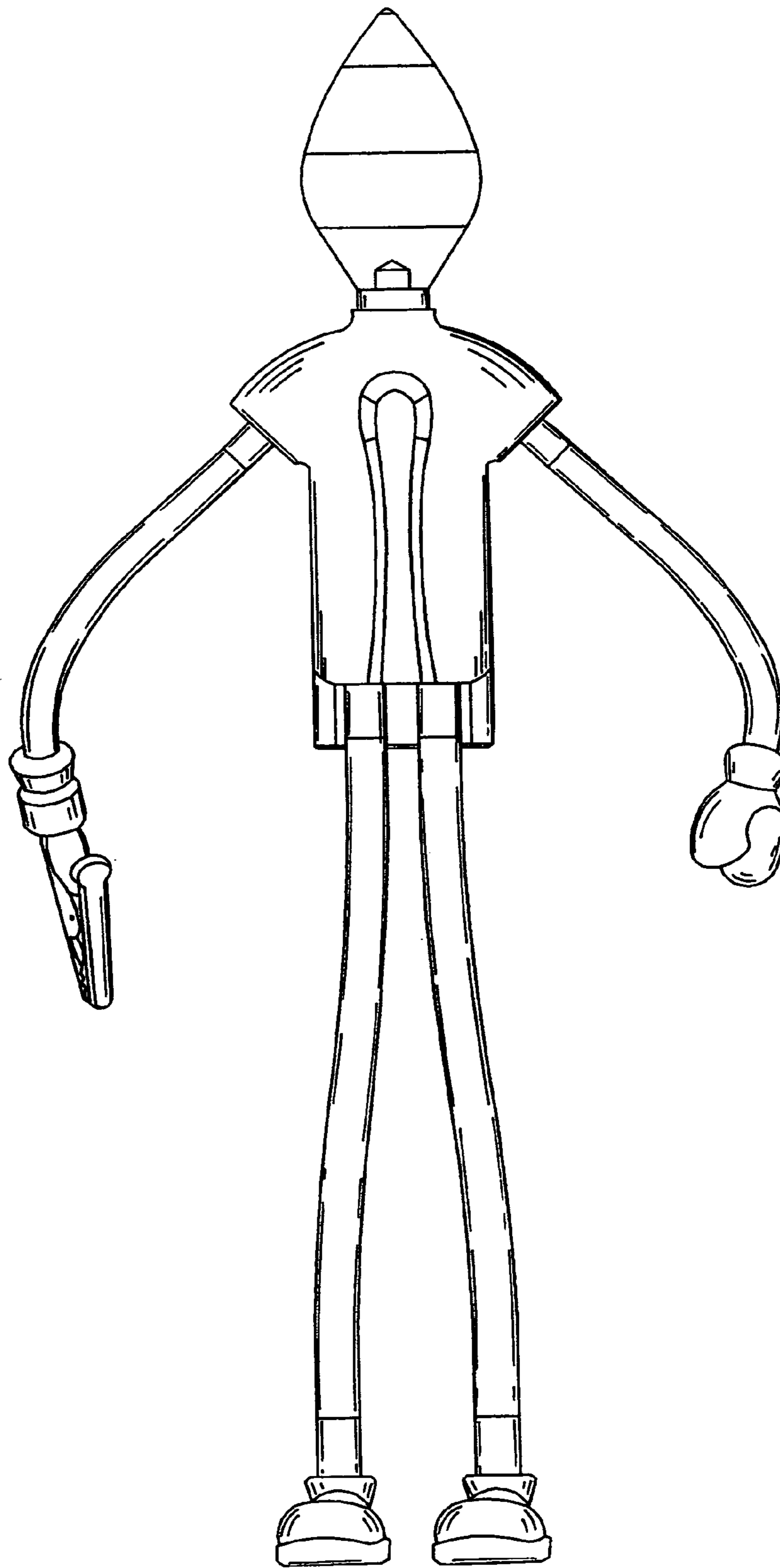
FIGS. 3 and 4 are top and bottom views of the humanoid lamp;

FIG. 5 is a perspective front view of the humanoid lamp; and,

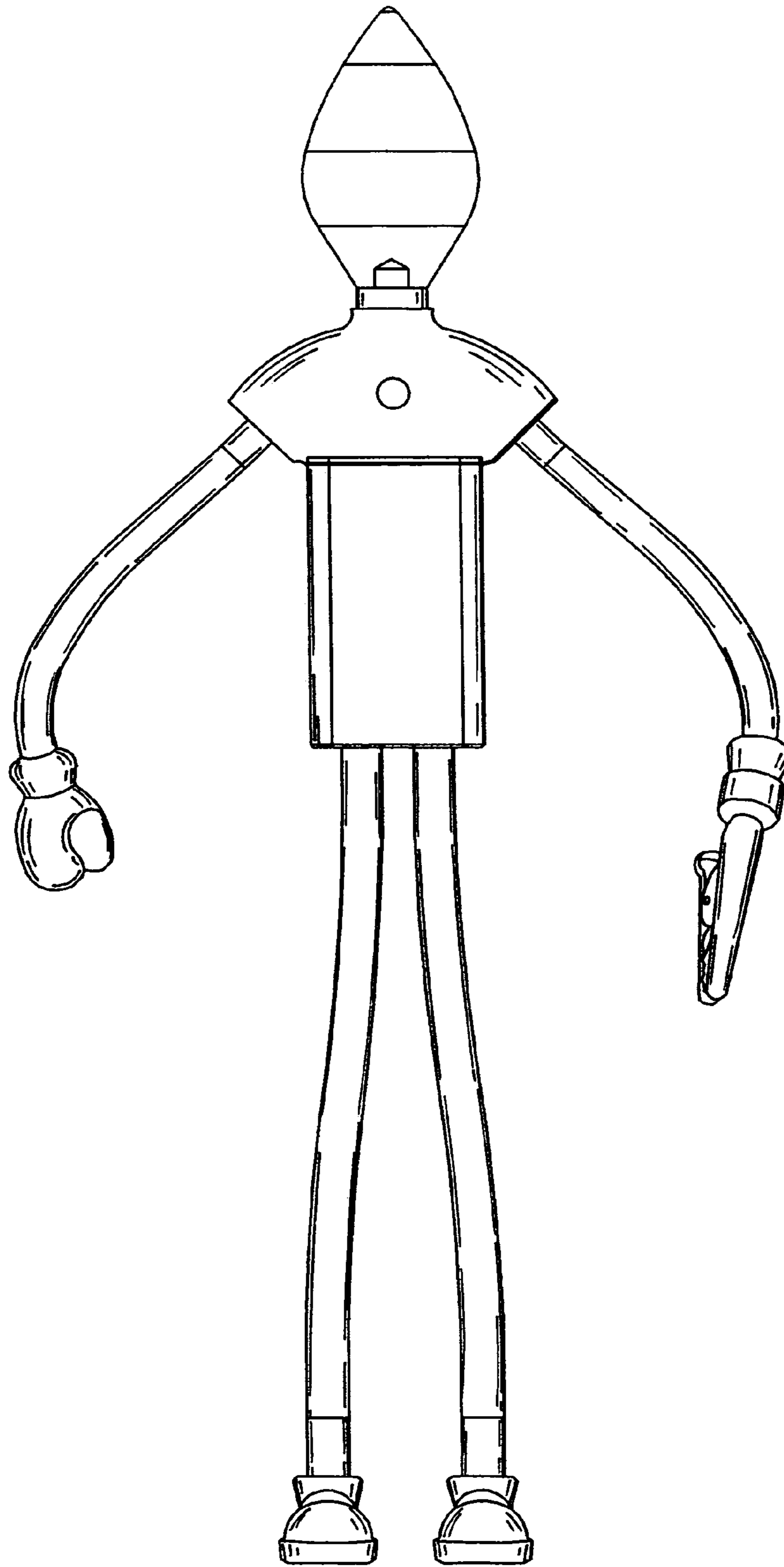
FIGS. 6 and 7 are right- and left-hand side elevational views of the humanoid lamp.

**1 Claim, 7 Drawing Sheets**





*Fig. 1*



*Fig. 2*

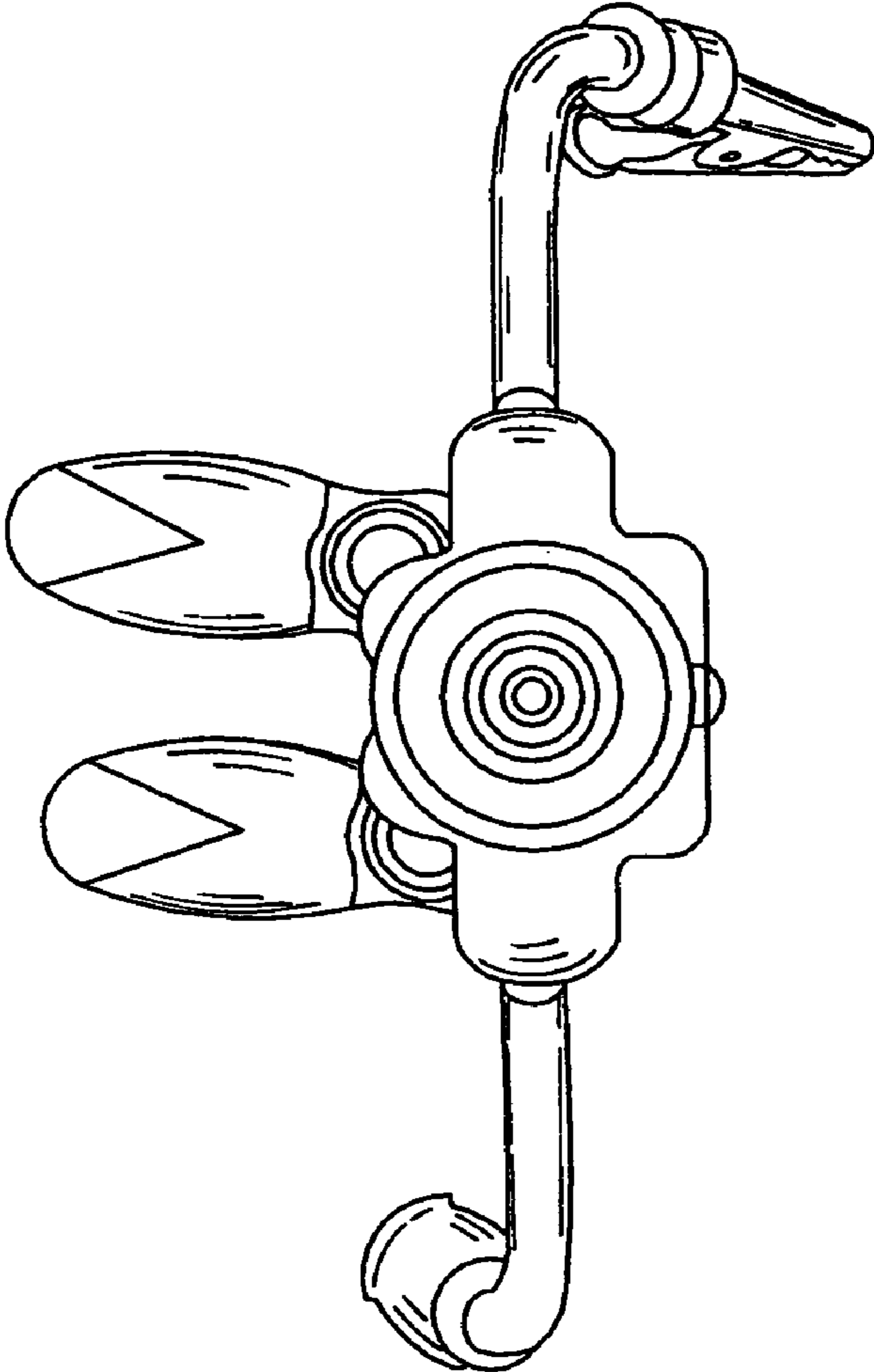
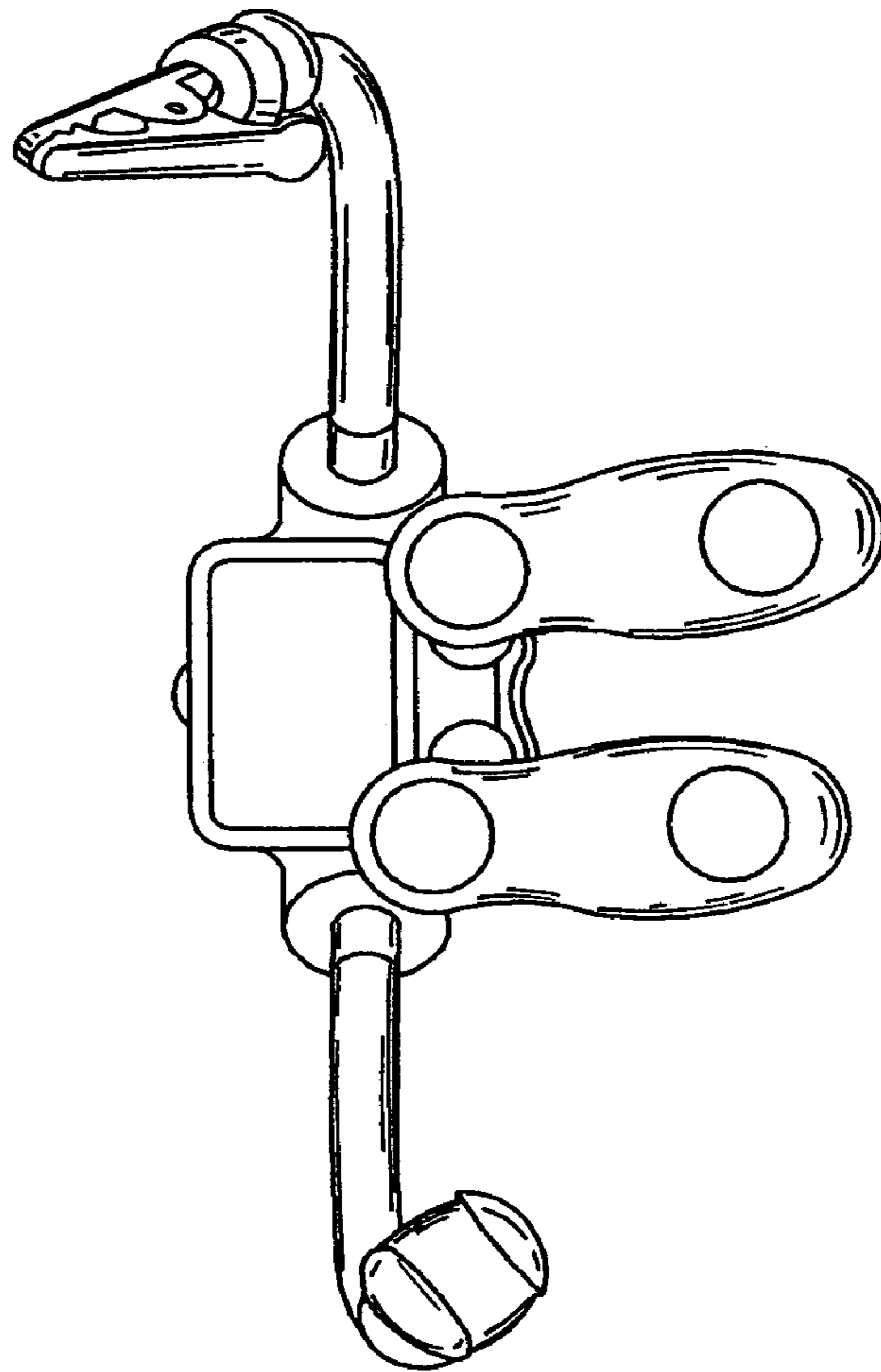
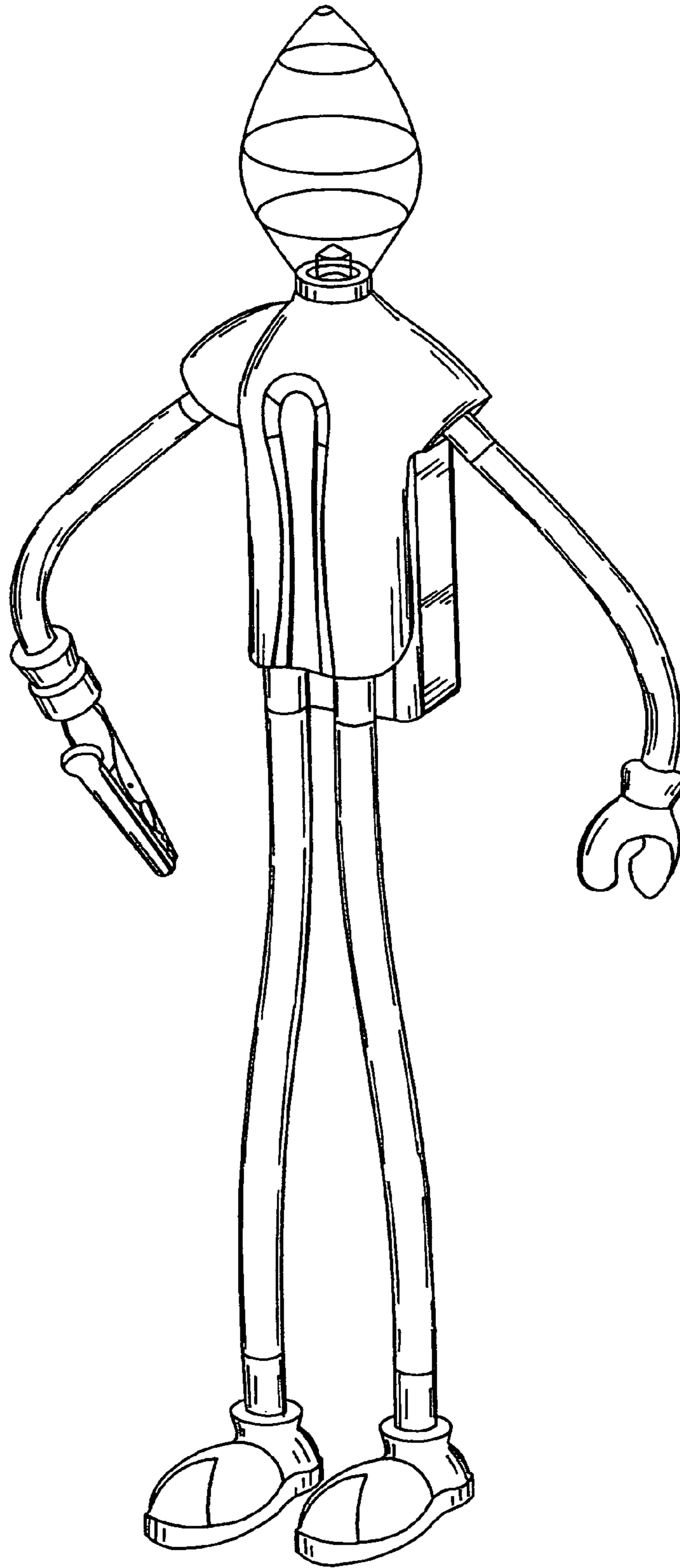


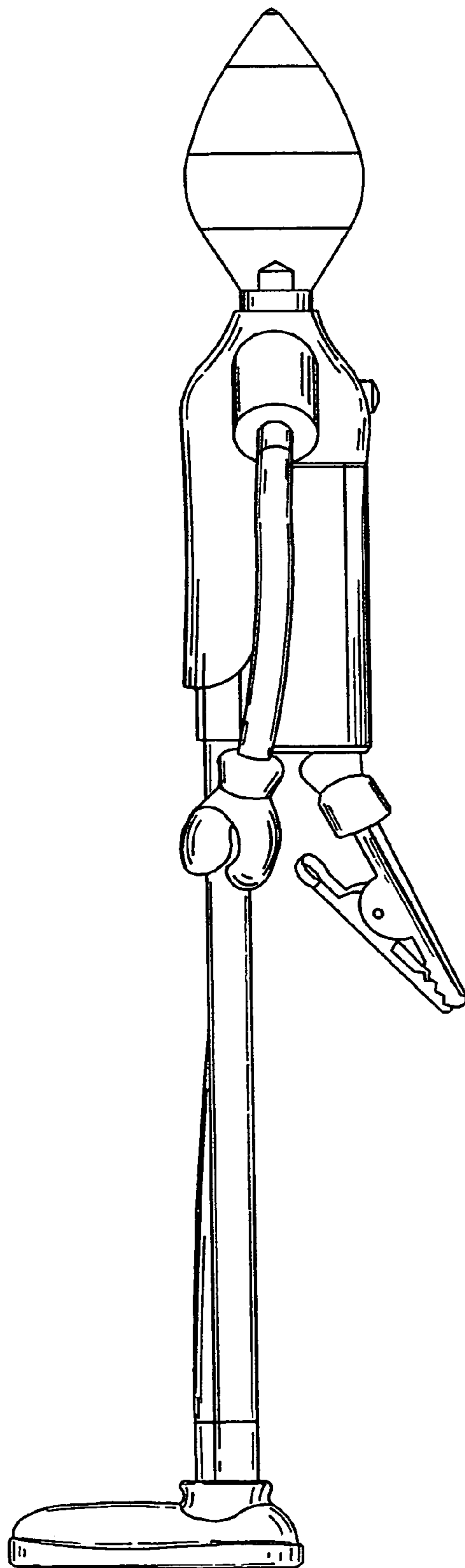
Fig. 3



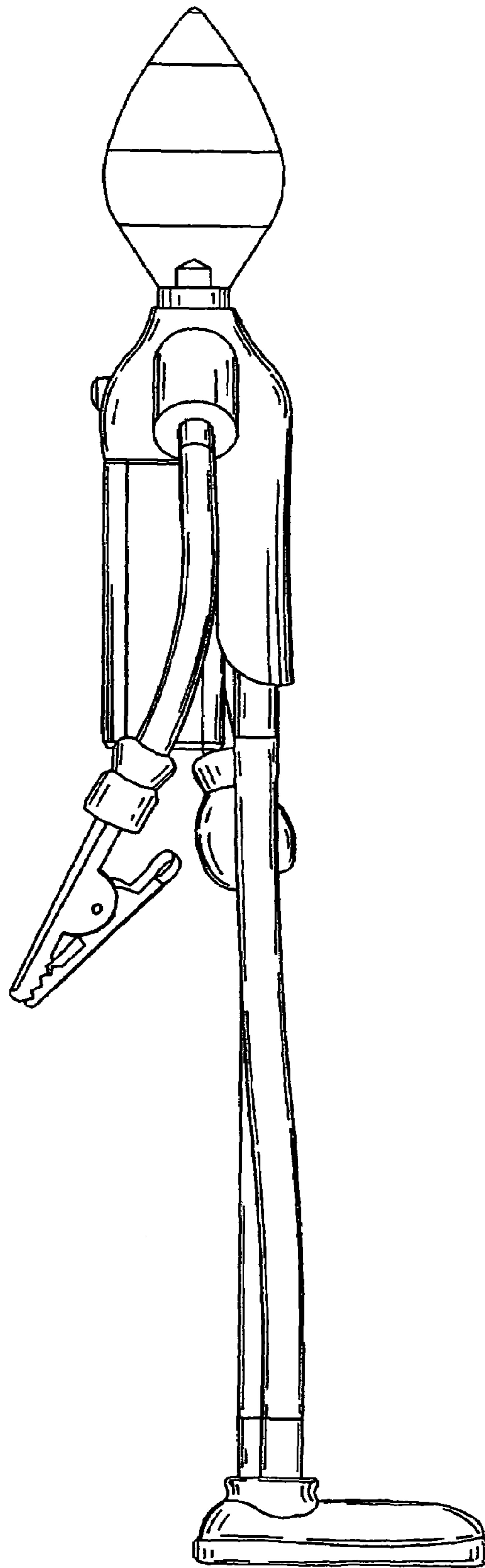
*Fig. 4*



*Fig. 5*



*Fig. 6*



*Fig. 7*