



US00D566882S

(12) **United States Design Patent**
Min

(10) **Patent No.:** **US D566,882 S**

(45) **Date of Patent:** **** Apr. 15, 2008**

(54) **FLOATING PENDANT LIGHT FIXTURE**

(76) Inventor: **Koeun Min**, 3610 Gillespie St., #10,
Dallas, TX (US) 75219

(**) Term: **14 Years**

(21) Appl. No.: **29/272,228**

(22) Filed: **Feb. 2, 2007**

(51) **LOC (8) Cl.** **26-03**

(52) **U.S. Cl.** **D26/90**

(58) **Field of Classification Search** D26/4,
D26/25, 26, 57, 62, 73, 93, 94, 97, 101; D21/201;
D11/125, 133; 362/122, 252, 644, 653, 806,
362/812

See application file for complete search history.

(56) **References Cited**

U.S. PATENT DOCUMENTS

1,535,408	A *	4/1925	Fricke	40/716
1,730,632	A *	10/1929	Shoenberg et al.	40/581
2,694,270	A *	11/1954	Spitzer	40/546
D225,259	S *	11/1972	Skupien	D26/73
D234,967	S *	4/1975	Feld	D26/94
D268,569	S *	4/1983	Heatwole	D11/81
D360,061	S *	7/1995	Ahn	D1/106
D398,066	S *	9/1998	Noel	D26/56

D470,184 S * 2/2003 Kagel D19/78
2004/0109317 A1* 6/2004 Ribarich 362/260

* cited by examiner

Primary Examiner—Clare E Heflin

(57) **CLAIM**

The ornamental design for a floating pendant light fixture, as shown and described.

DESCRIPTION

FIG. 1 is a perspective view of a floating pendant light fixture showing my new design;

FIG. 2 is a front elevational view thereof; the rear elevational view is the same;

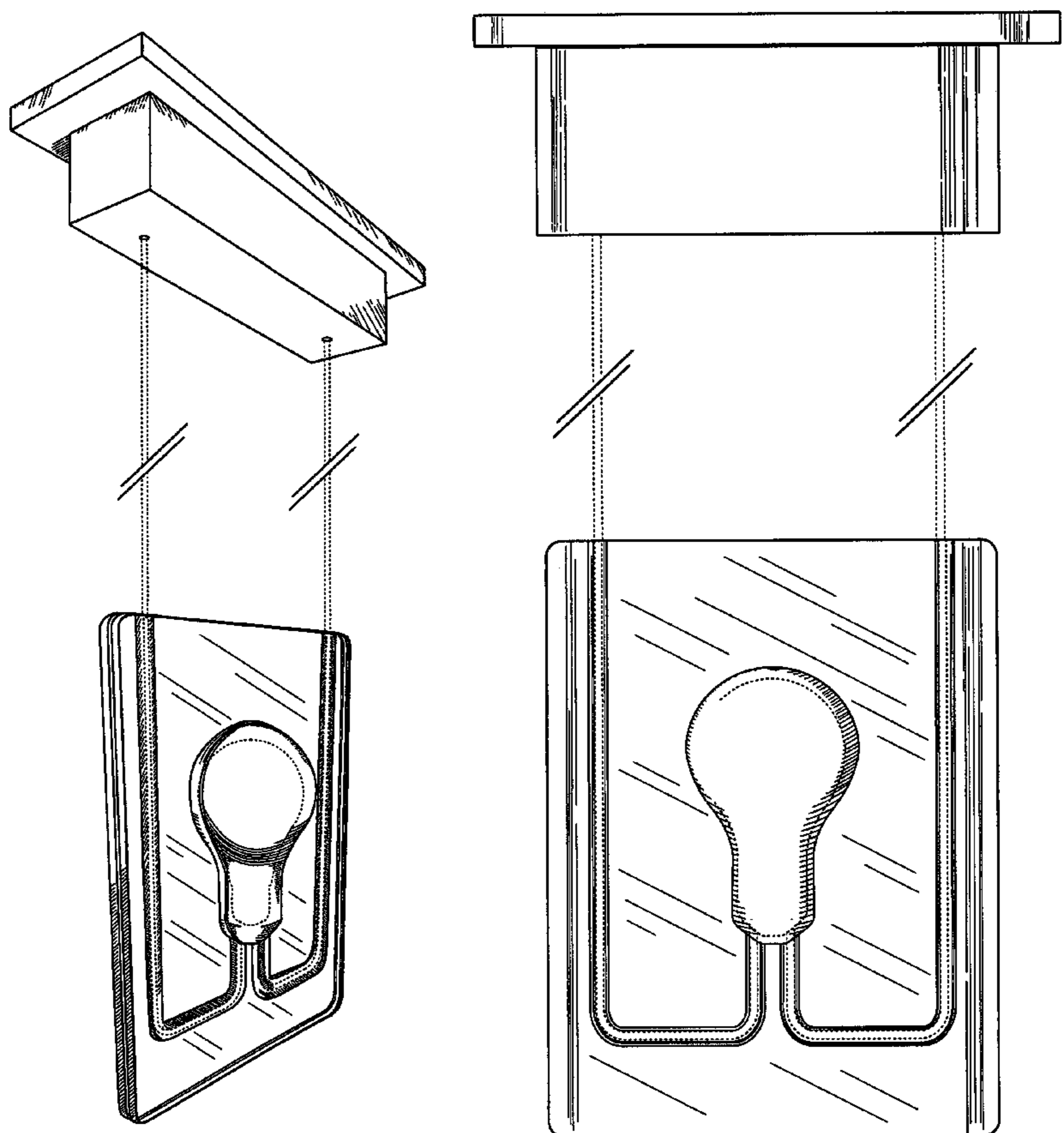
FIG. 3 is a left side elevational view thereof; the right side elevational view is the same;

FIG. 4 is a top plan view thereof; and,

FIG. 5 is a bottom plan view thereof.

The broken lines are shown for illustrative purposes only, forming no part of the claimed design. The solid diagonal lines splitting the broken lines are shown for illustrative purposes only, forming no part of the claimed design.

1 Claim, 4 Drawing Sheets



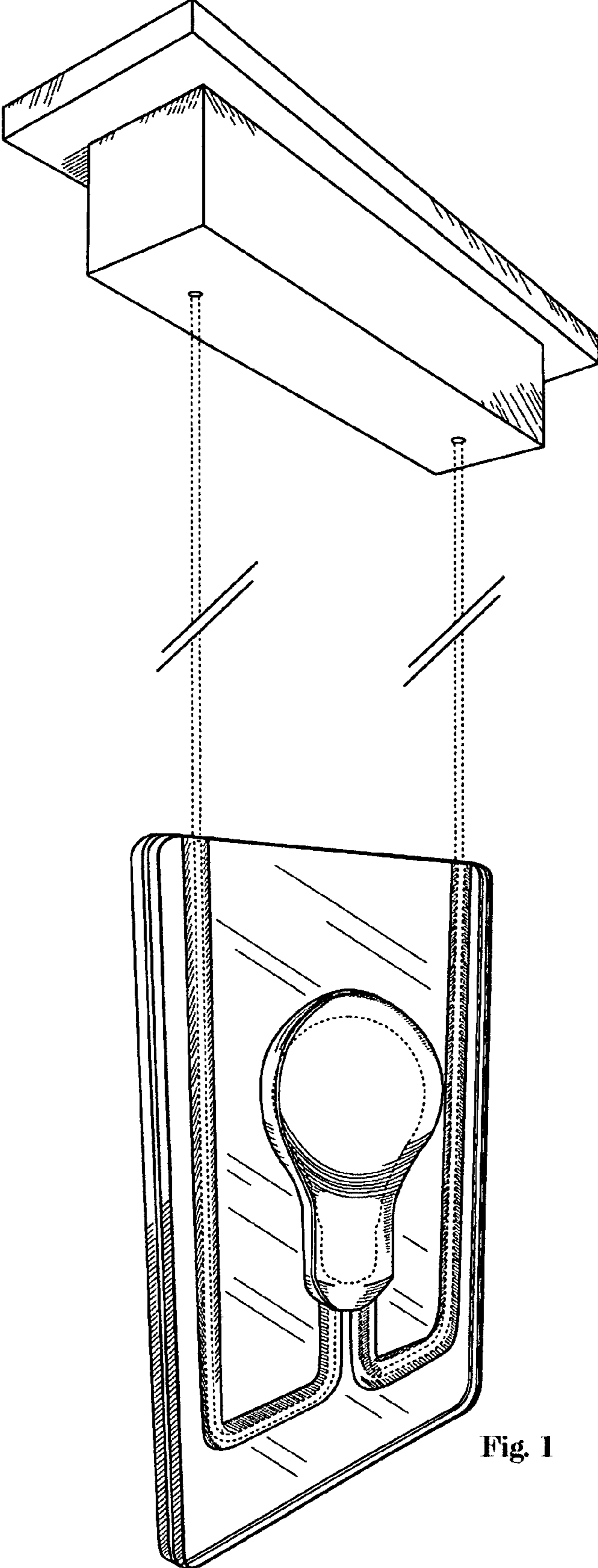


Fig. 1

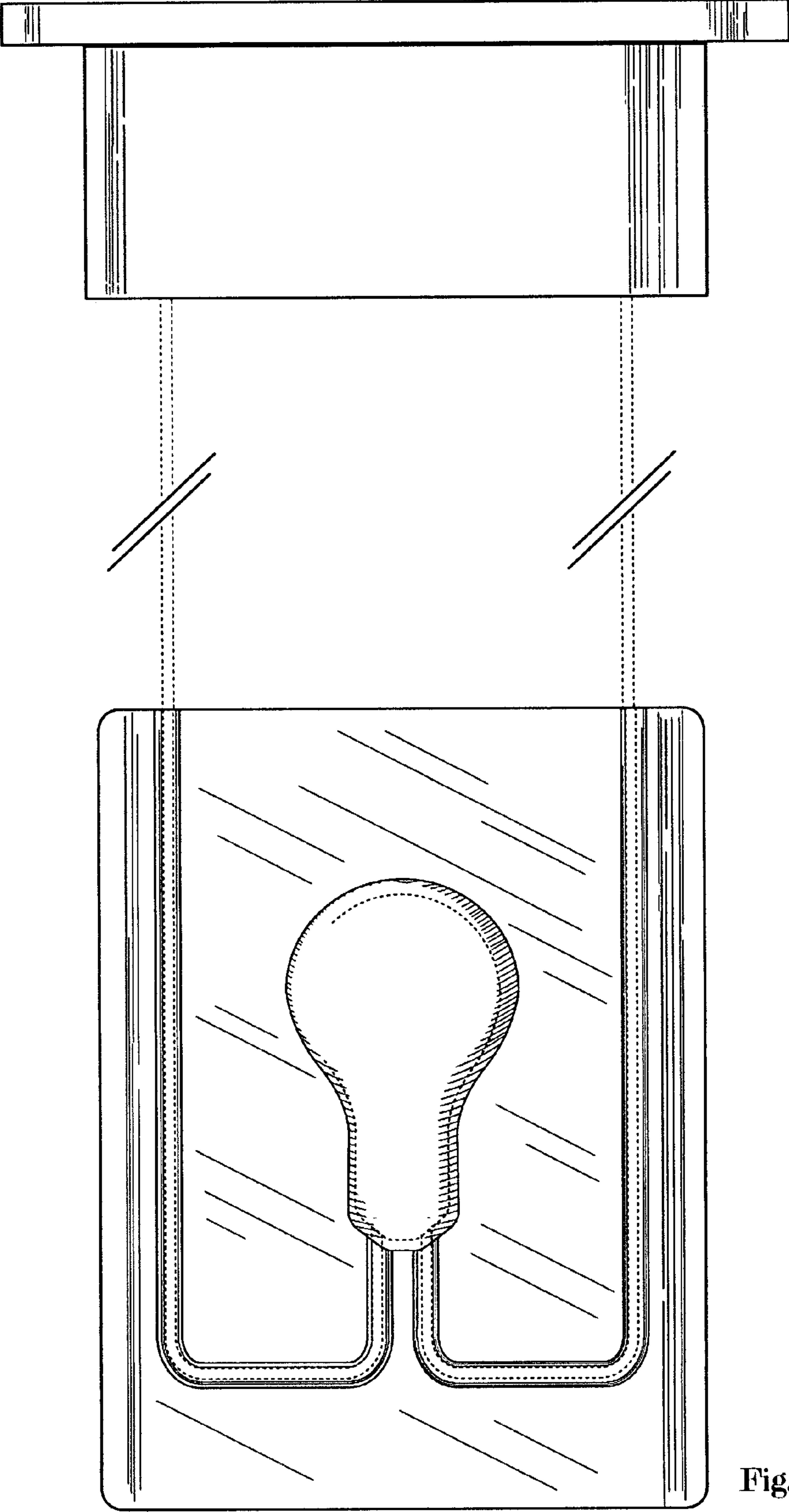


Fig. 2

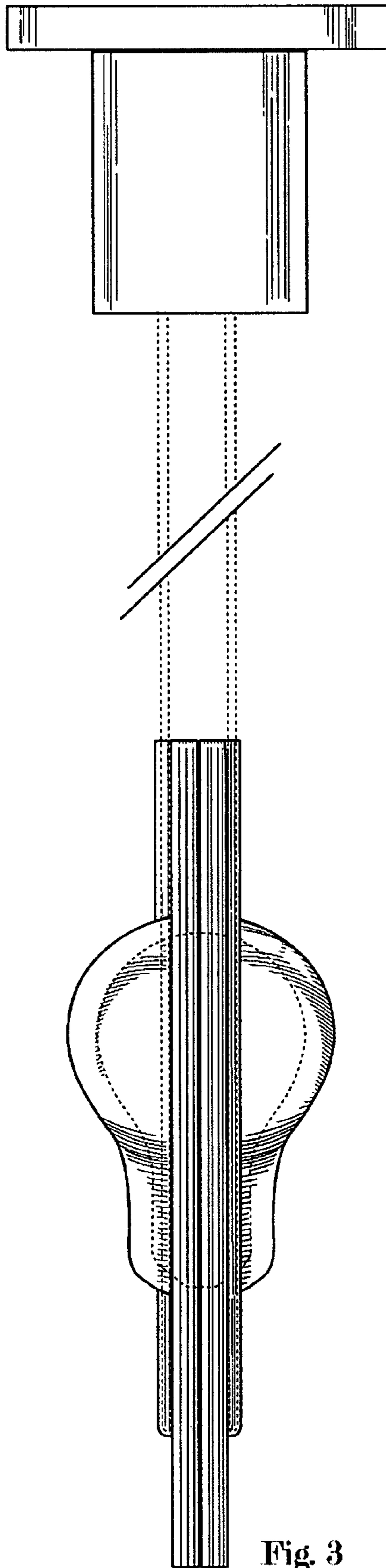


Fig. 3

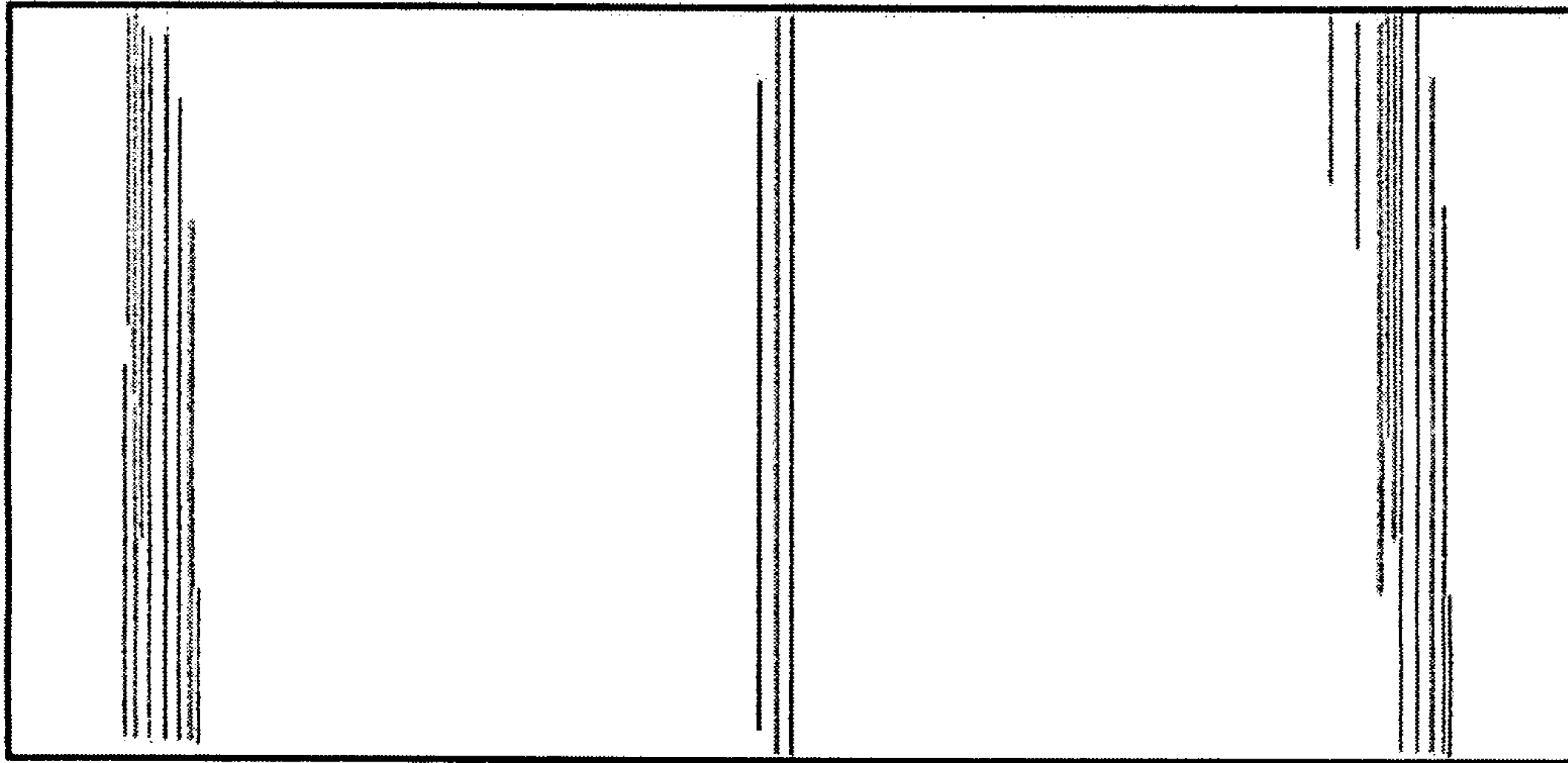


Fig. 4

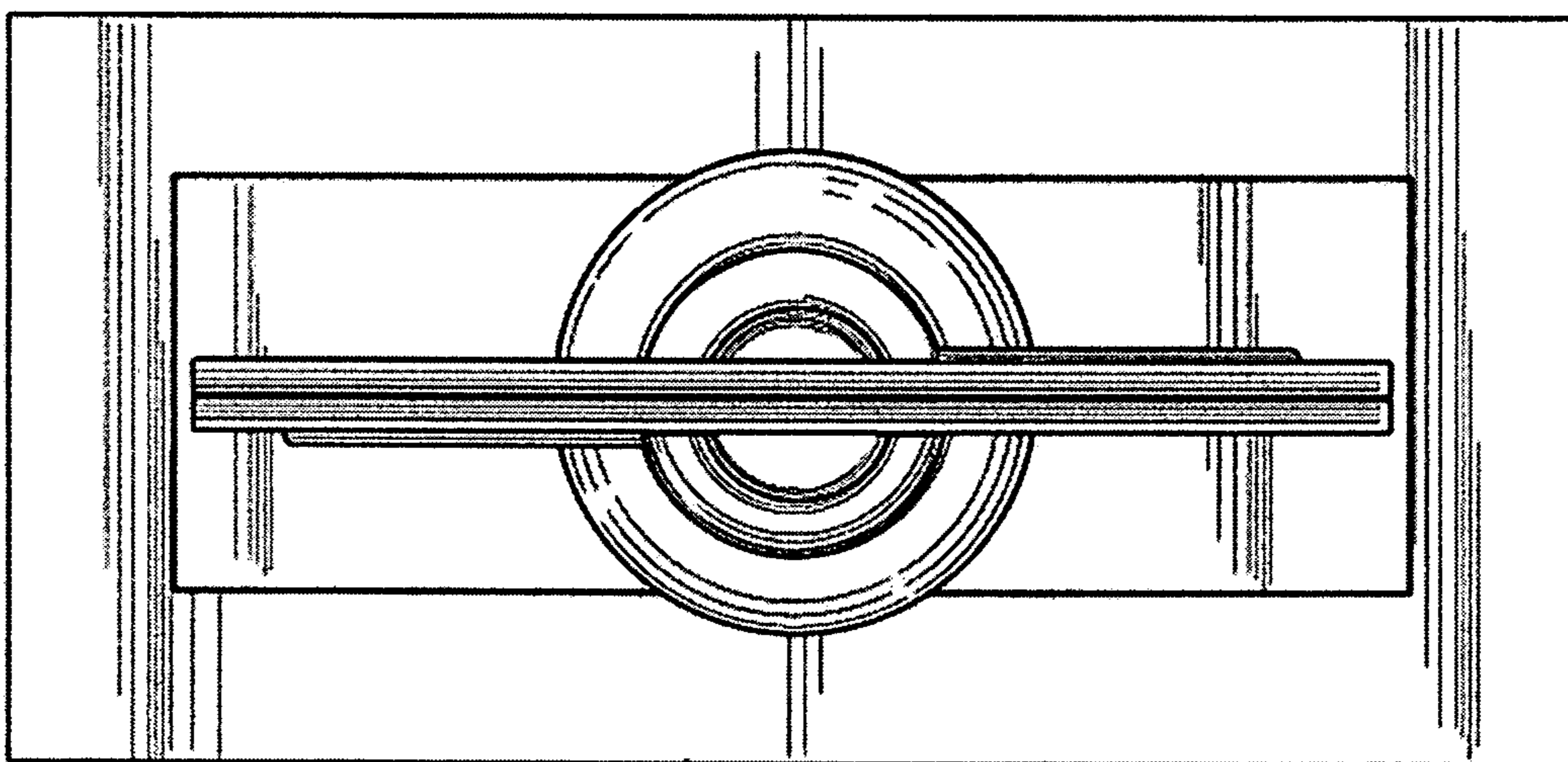


Fig. 5