



US00D566877S

(12) **United States Design Patent**
Chandler

(10) **Patent No.:** **US D566,877 S**
(45) **Date of Patent:** **** Apr. 15, 2008**

(54) **WALL SCONCE**

(75) Inventor: **George Chandler**, Fair Haven, VT
(US)

(73) Assignee: **Hubbardton Forge, LLC**, Castleton,
VT (US)

(**) Term: **14 Years**

(21) Appl. No.: **29/275,106**

(22) Filed: **Dec. 13, 2006**

(51) **LOC (8) Cl.** **26-03**

(52) **U.S. Cl.** **D26/85; D26/86**

(58) **Field of Classification Search** D26/72,
D26/85-89; 362/147, 431, 432, 362
See application file for complete search history.

(56) **References Cited**

U.S. PATENT DOCUMENTS

D286,206 S *	10/1986	Joosten et al.	D26/85
D365,409 S *	12/1995	Lu	D26/77
D406,673 S *	3/1999	Evans	D26/85
D413,000 S *	8/1999	Littman	D26/85
D448,106 S *	9/2001	Lin	D26/87
D456,932 S *	5/2002	Crosby	D26/85
D480,494 S *	10/2003	Targetti	D26/72
D519,667 S *	4/2006	Zucker	D26/85
D548,872 S *	8/2007	Dubbeldam et al.	D26/85

OTHER PUBLICATIONS

Item 2 from p. 304 of the 2005 IKEA catalog.*

Item 6 (TYFT wall lamp) from p. 305 of the 2005 IKEA catalog.*

Item 4521-FM from p. 122 of the Frederick Ramond 1991 catalog.*

* cited by examiner

Primary Examiner—Clare E Heflin

(74) *Attorney, Agent, or Firm*—Bourque and Associates

(57) **CLAIM**

The ornamental design for a wall sconce, as shown and described.

DESCRIPTION

FIG. 1 is a perspective view of the wall sconce according to the present invention;

FIG. 2 is a front view of the wall sconce according to the present invention;

FIG. 3 is a back view of the wall sconce according to the present invention;

FIG. 4 is a top view of the wall sconce according to the present invention;

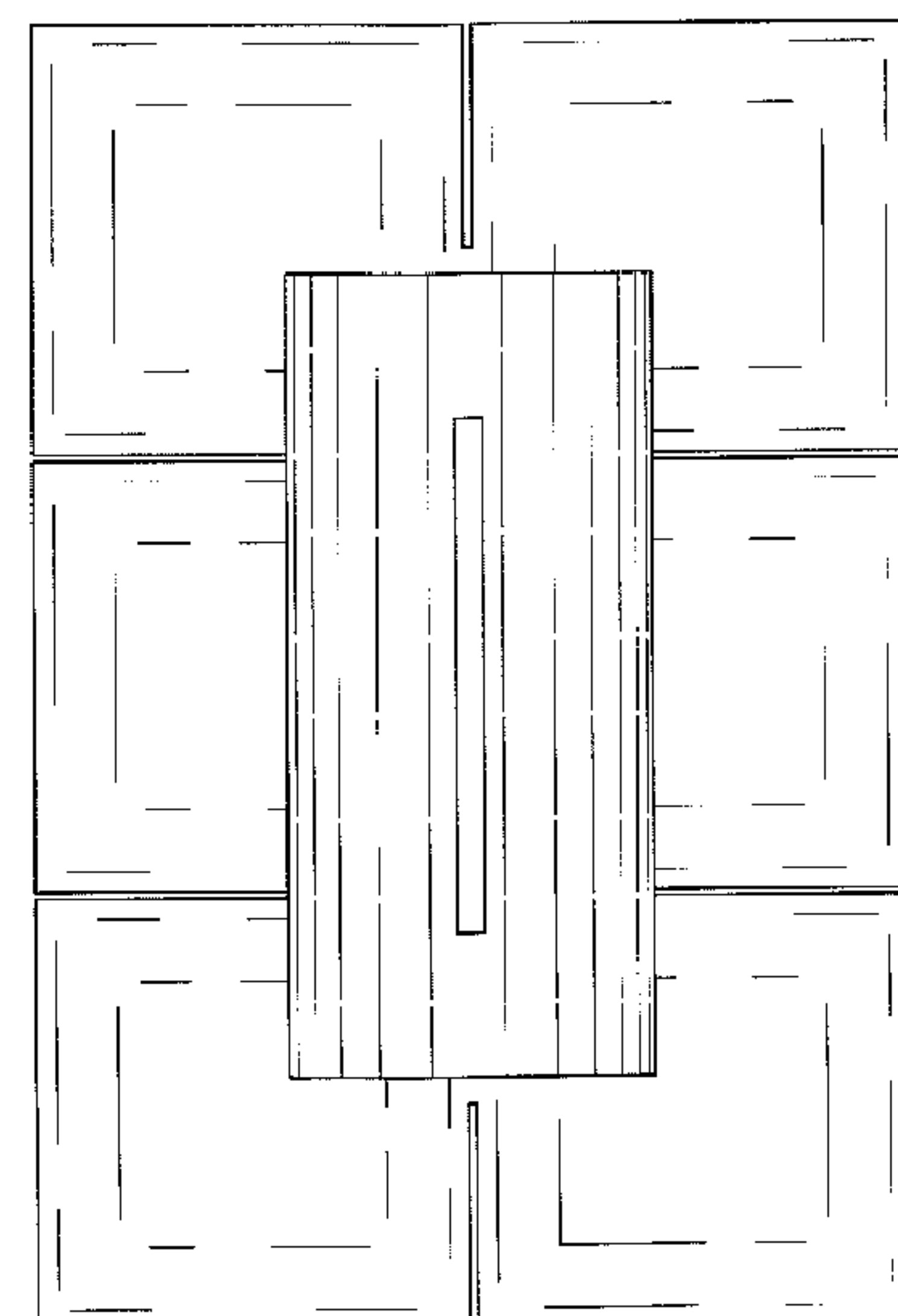
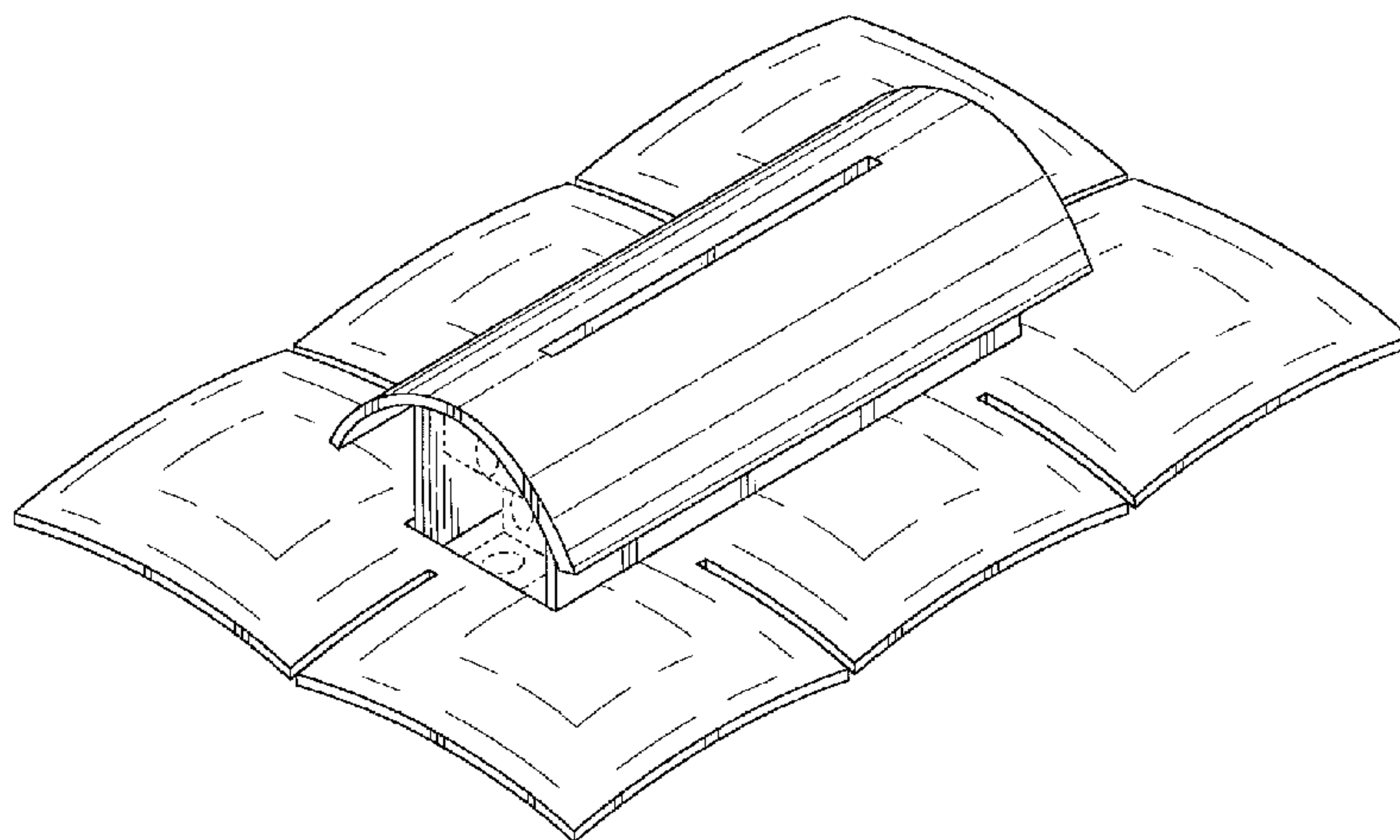
FIG. 5 is a bottom view of the wall sconce according to the present invention;

FIG. 6 is a left side view of the wall sconce according to the present invention; and,

FIG. 7 is a right side view of the wall sconce according to the present invention.

The broken lines shown are for illustrative purposes only and form no part of the claimed design.

1 Claim, 6 Drawing Sheets



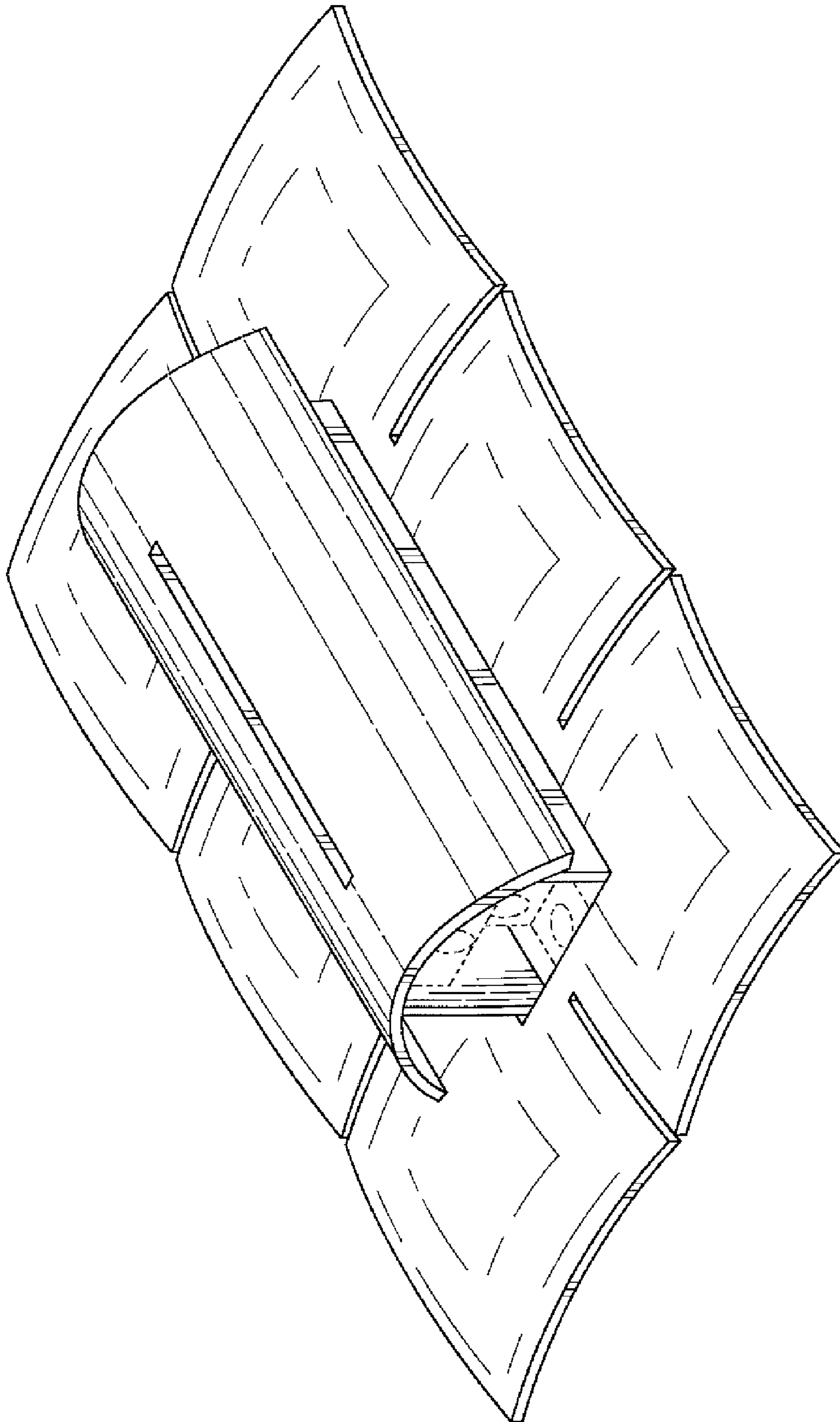


FIG. 1

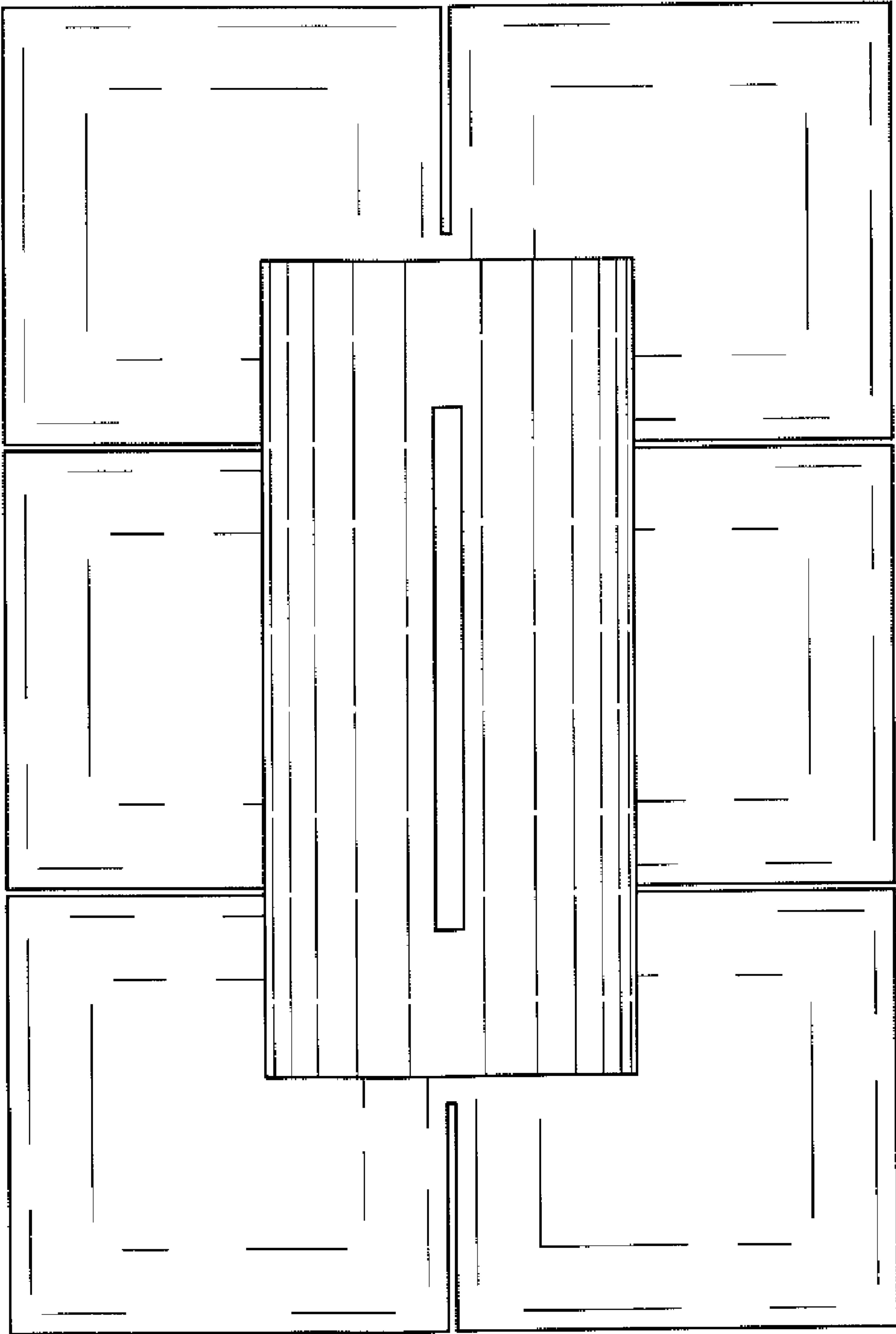


FIG. 2

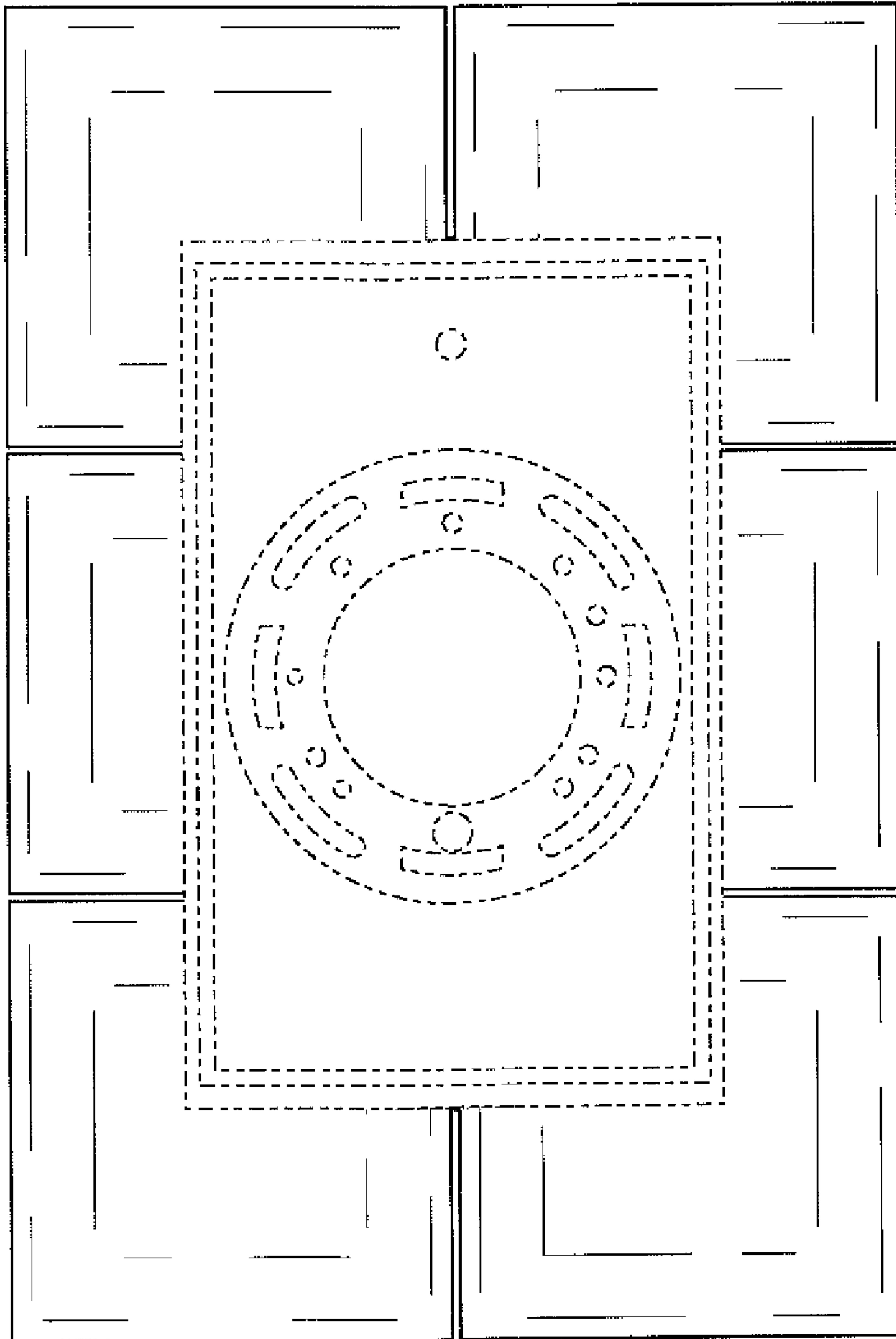


FIG. 3

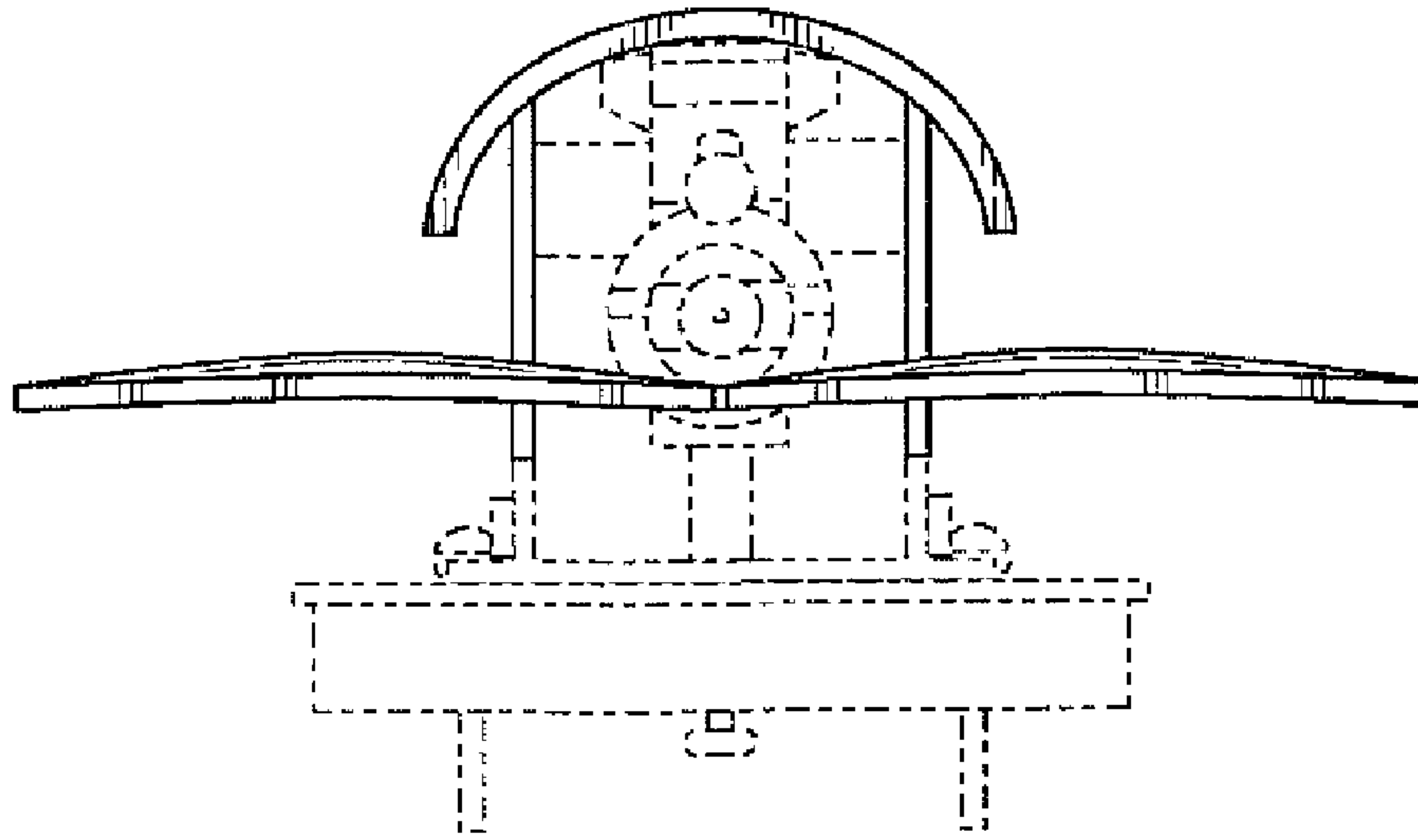


FIG. 4

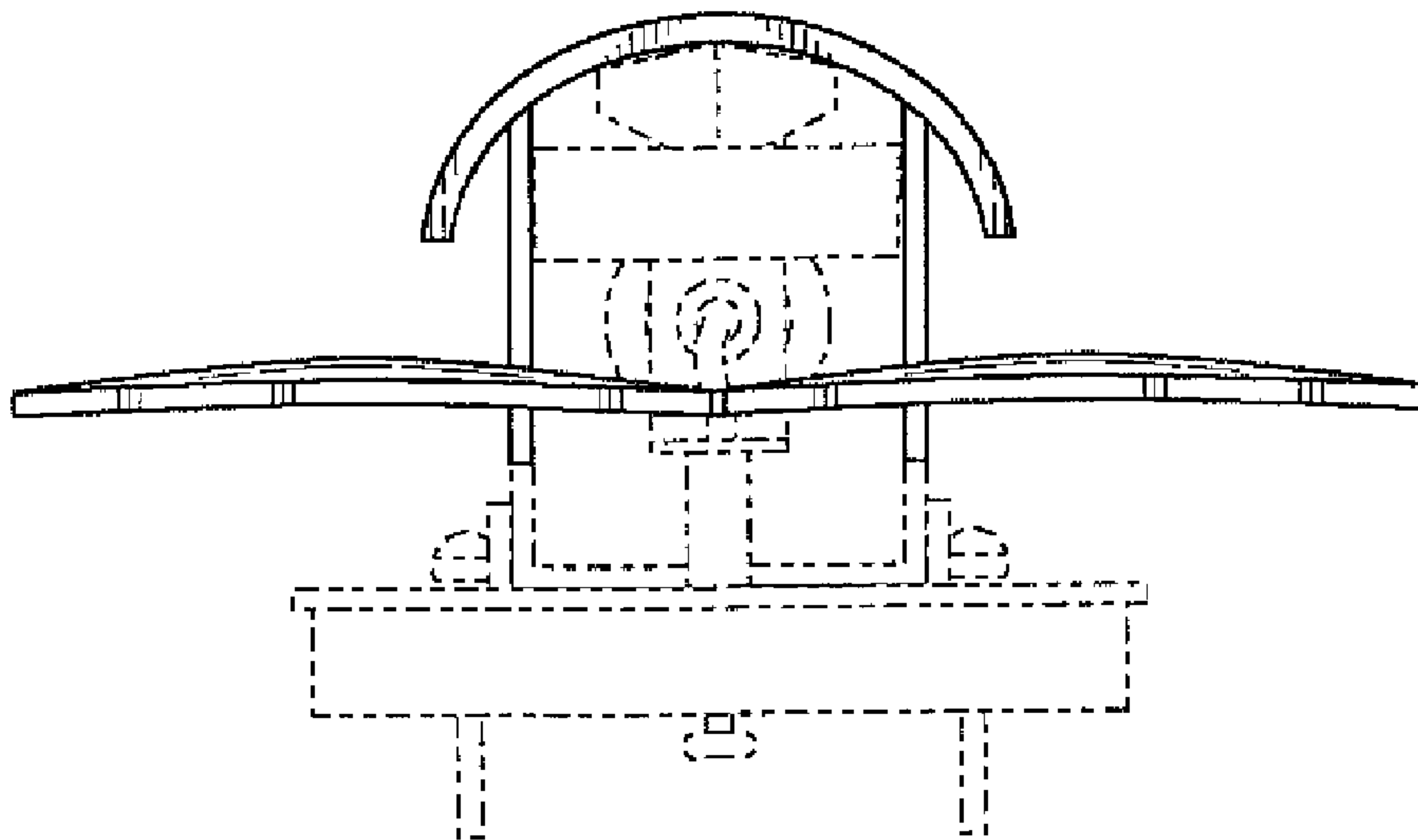


FIG. 5

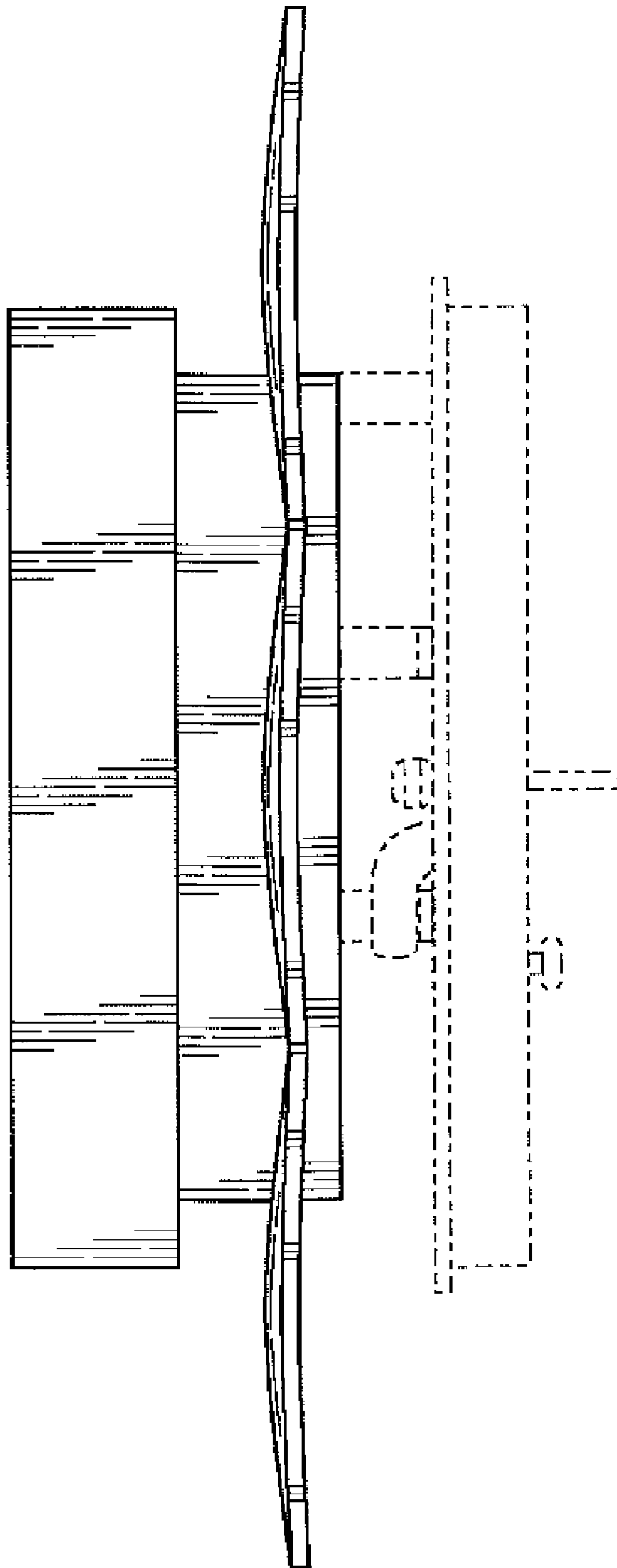


FIG. 6

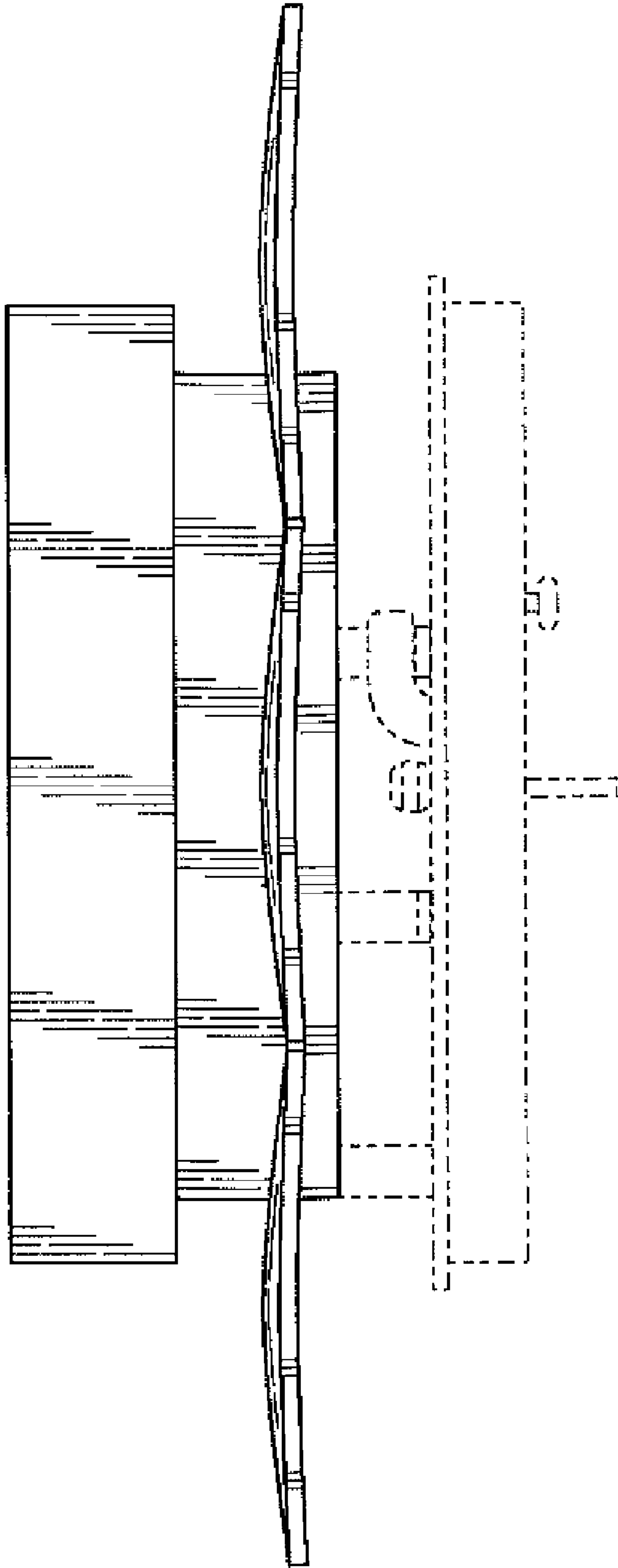


FIG. 7