



US00D566876S

(12) **United States Design Patent**  
**Allen et al.**

(10) **Patent No.:** **US D566,876 S**  
(45) **Date of Patent:** **\*\* Apr. 15, 2008**

(54) **LIGHTING FIXTURE**

(75) Inventors: **Robert T. Allen**, Green Bay, WI (US);  
**Curt H. Blaszczyk**, Fredonia, WI (US);  
**Craig T. Curtis**, Hartford, WI (US);  
**Jeremy J. Wittig**, Cedarburg, WI (US)

(73) Assignee: **SPI Lighting**, Mequon, WI (US)

(\*\*) Term: **14 Years**

(21) Appl. No.: **29/227,778**

(22) Filed: **Apr. 15, 2005**

(51) **LOC (8) Cl.** ..... **26-03**

(52) **U.S. Cl.** ..... **D26/85**

(58) **Field of Classification Search** ..... D26/63,  
D26/71, 72, 85; 362/147, 431, 432, 282  
See application file for complete search history.

(56) **References Cited**

**U.S. PATENT DOCUMENTS**

2,732,484	A *	1/1956	Lipscomb	.....	362/218
D228,667	S *	10/1973	Anderson, Jr.	.....	D26/71
D267,516	S *	1/1983	Rambusch et al.	.....	D26/72
D380,850	S *	7/1997	Bray	.....	D26/87
D465,593	S *	11/2002	Chang	.....	D26/72
6,508,564	B1 *	1/2003	Kuwabara et al.	.....	362/612
D527,134	S *	8/2006	Bagen	.....	D26/71
2004/0037068	A1 *	2/2004	Patterson et al.	.....	362/147

**OTHER PUBLICATIONS**

Wall lamp # HTR-9679N/BS shown on p. 195 of the May 2001 issue of Taiwan Lighting.\*  
 "Wall mounted luminaries", Bega Lighting Catalog, pp. 111 and 113, undated.  
 "Interior architecture luminaries", Insight Lighting Catalog, 2 pages, undated.  
 "PAL 422 300/500w Quartz Tungsten Halogen Pan-A-Lux © Uplite", p. 431, Rambusch Lighting, undated.  
 "PAL 442 1x27W BIAx Fluorescent Pan-A-Lux © Uplite", p. 435, Rambusch Lighting, undated.  
 "PAL 422 2x27W BIAx Fluorescent Pan-A-Lux © Uplite", p. 436, Rambusch Lighting, undated.

"688 Series Interior Wall Luminaire", pp. 278-279, Shaper Lighting, undated.

"Corona", Visa Lighting, 2 pages, undated.

\* cited by examiner

*Primary Examiner*—Clare E Heflin

(74) *Attorney, Agent, or Firm*—Boyle Fredrickson, S.C.

(57) **CLAIM**

The ornamental design of a lighting fixture, as shown and described.

**DESCRIPTION**

FIG. 1 is an underside isometric view of a lighting fixture incorporating our new design, wherein the break lines indicate indeterminate length and the phantom lines form no part of the claimed design;

FIG. 2 is a top side isometric view of the lighting fixture of FIG. 1, wherein the break lines indicate indeterminate length and the phantom lines form no part of the claimed design;

FIG. 3 is a side elevation view thereof;

FIG. 4 is a front end elevation view thereof;

FIG. 5 is a bottom plan view thereof;

FIG. 6 is a top plan view thereof;

FIG. 7 is an underside isometric view of another embodiment of a lighting fixture incorporating our new design, wherein the break lines indicate indeterminate length and the phantom lines form no part of the claimed design;

FIG. 8 is a top side isometric view thereof, wherein the break lines indicate indeterminate length and the phantom lines form no part of the claimed design;

FIG. 9 is a side elevation view thereof;

FIG. 10 is a front elevation view thereof, wherein the break lines indicate indeterminate length and the phantom lines form no part of the claimed design;

FIG. 11 is a bottom plan view thereof, wherein the break lines indicate indeterminate length and the phantom lines form no part of the claimed design;

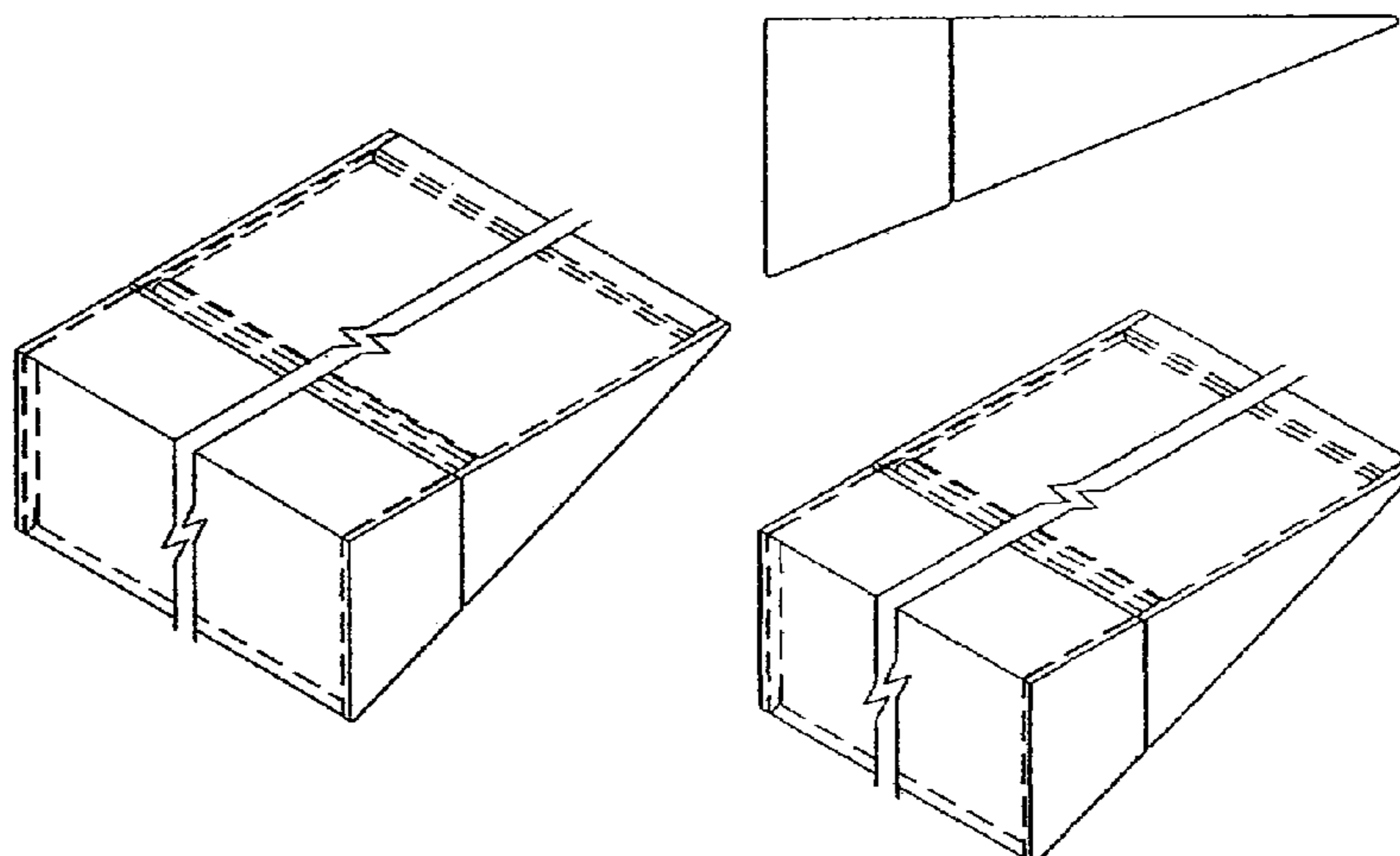


FIG. **12** is a top plan view thereof, wherein the break lines indicate indeterminate length and the phantom lines form no part of the claimed design;

FIG. **13** is an underside isometric view of another embodiment of a lighting fixture incorporating our new design, wherein the break lines indicate indeterminate length and the phantom lines form no part of the claimed design;

FIG. **14** is a top side isometric view thereof, wherein the break lines indicate indeterminate length and the phantom lines form no part of the claimed design;

FIG. **15** is a side elevation view thereof;

FIG. **16** is a front elevation view thereof, wherein the break lines indicate indeterminate length and the phantom lines form no part of the claimed design;

FIG. **17** is a bottom plan view thereof, wherein the break lines indicate indeterminate length and the phantom lines form no part of the claimed design;

FIG. **18** is a top plan view thereof, wherein the break lines indicate indeterminate length and the phantom lines form no part of the claimed design;

FIG. **19** is an underside isometric view of another embodiment of a lighting fixture incorporating our new design, wherein the break lines indicate indeterminate length and the phantom lines form no part of the claimed design;

FIG. **20** is a top side isometric view thereof, wherein the break lines indicate indeterminate length and the phantom lines form no part of the claimed design;

FIG. **21** is a side elevation view thereof;

FIG. **22** is a front elevation view thereof, wherein the break lines indicate indeterminate length and the phantom lines form no part of the claimed design;

FIG. **23** is a bottom plan view thereof, wherein the break lines indicate indeterminate length and the phantom lines form no part of the claimed design; and,

FIG. **24** is a top plan view thereof, wherein the break lines indicate indeterminate length and the phantom lines form no part of the claimed design.

**1 Claim, 4 Drawing Sheets**

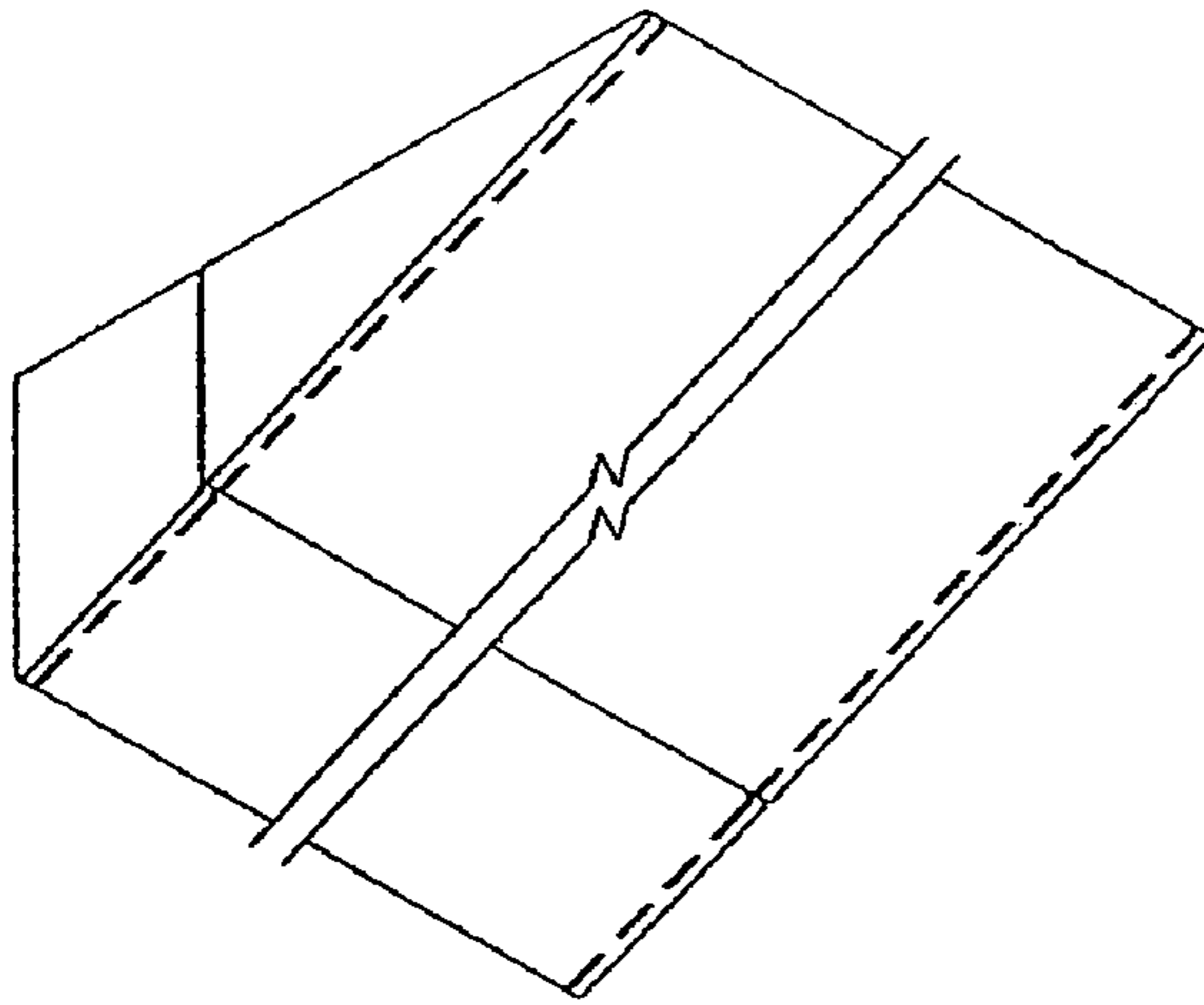


FIG. 1

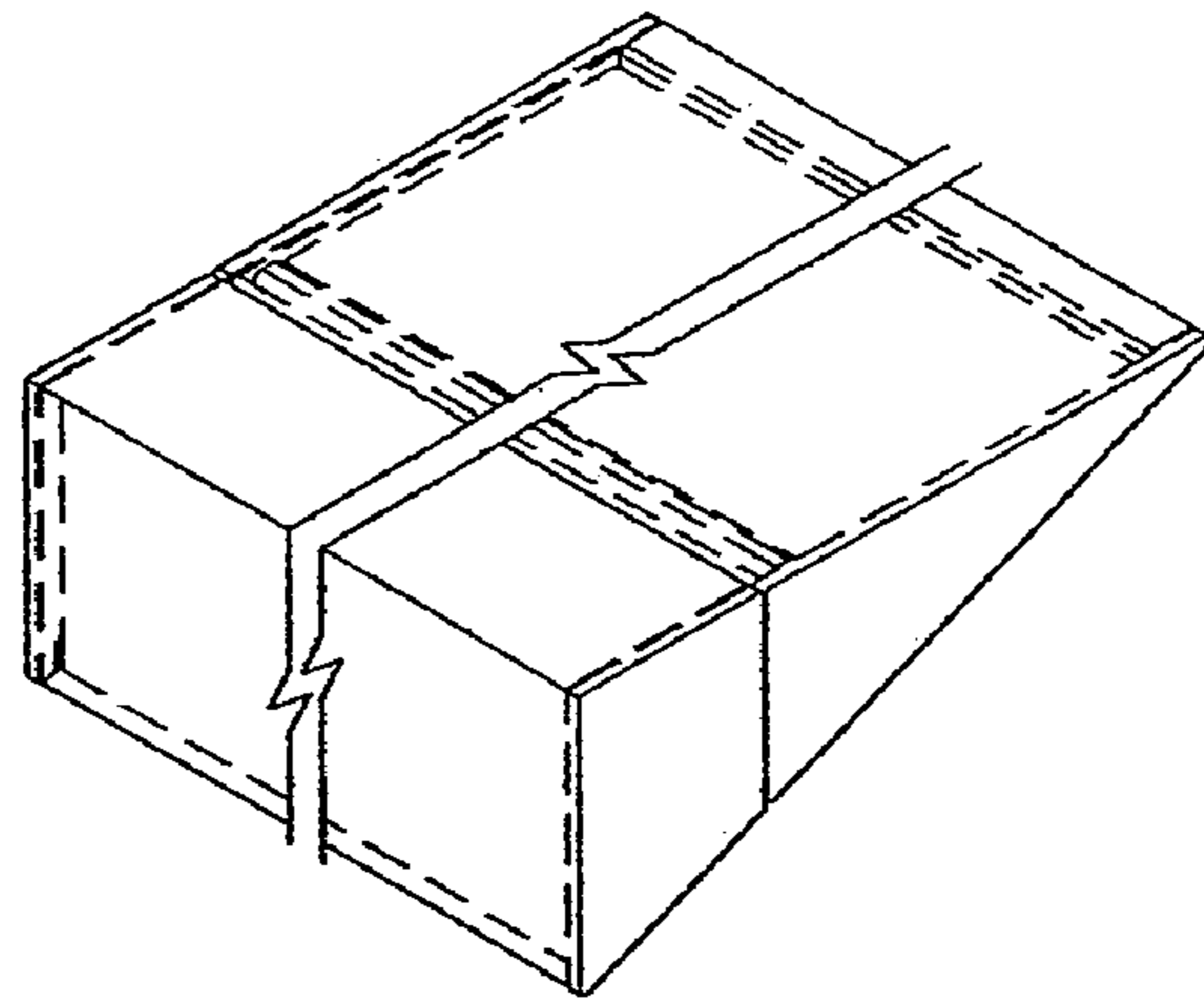


FIG. 2

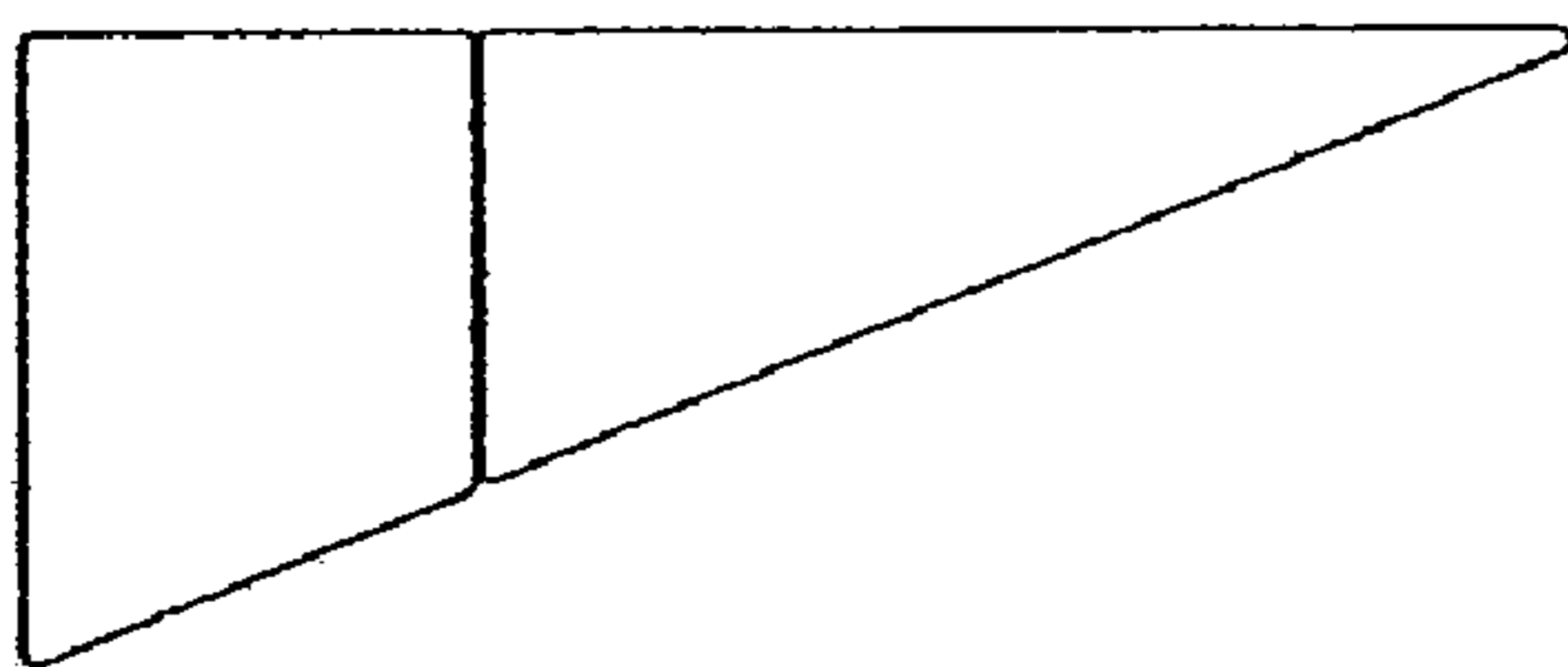


FIG. 3

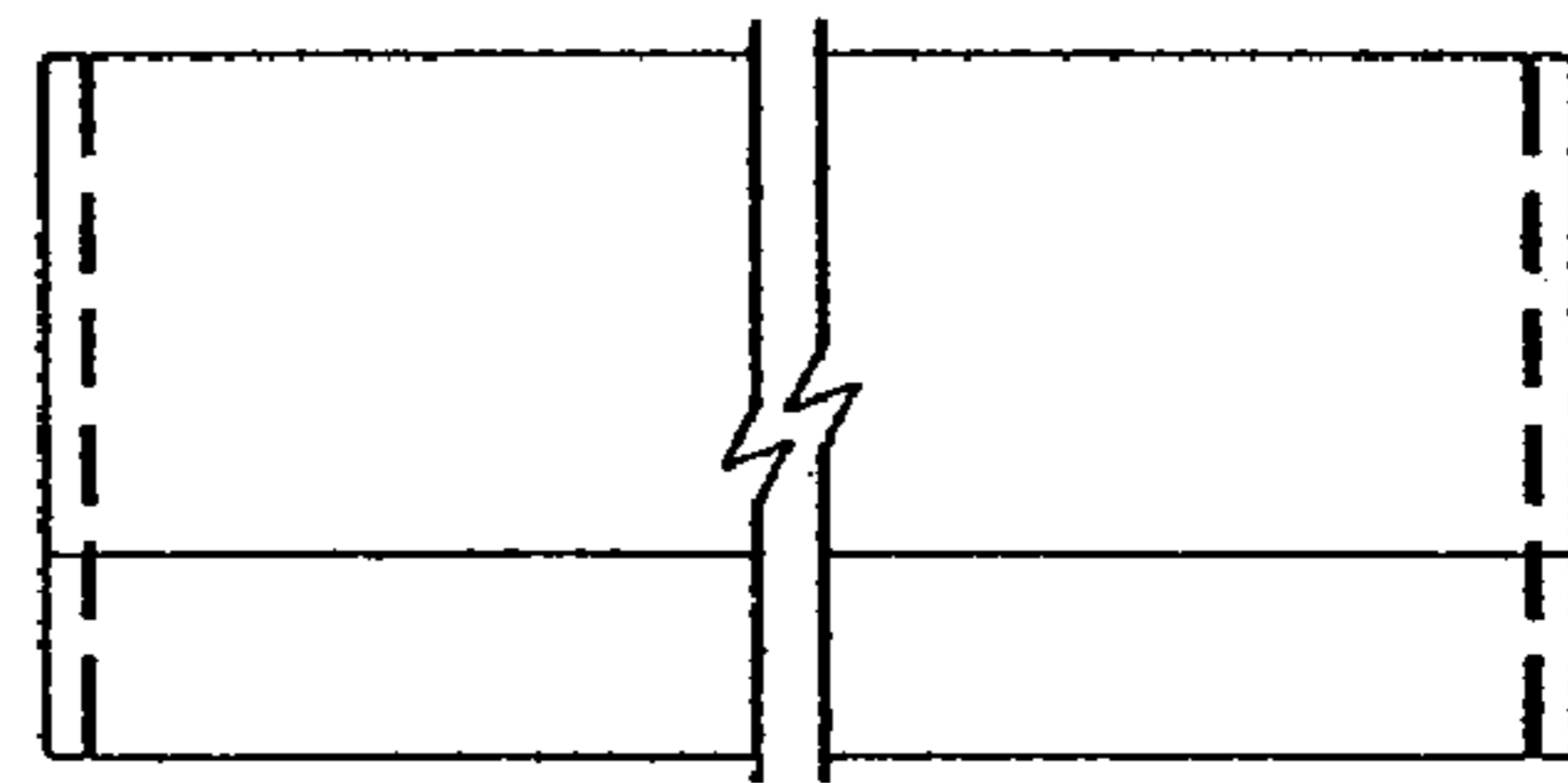


FIG. 4

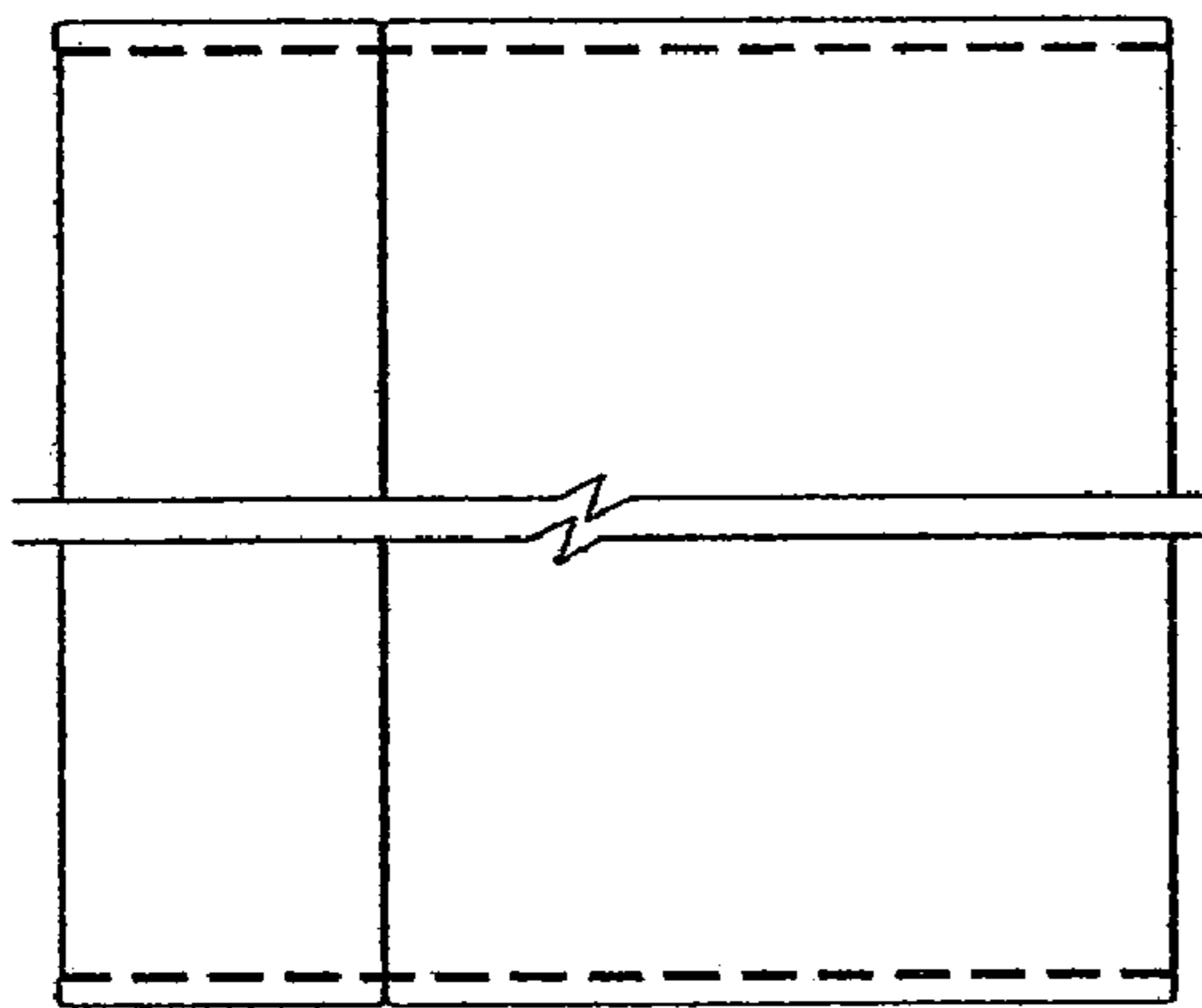


FIG. 5

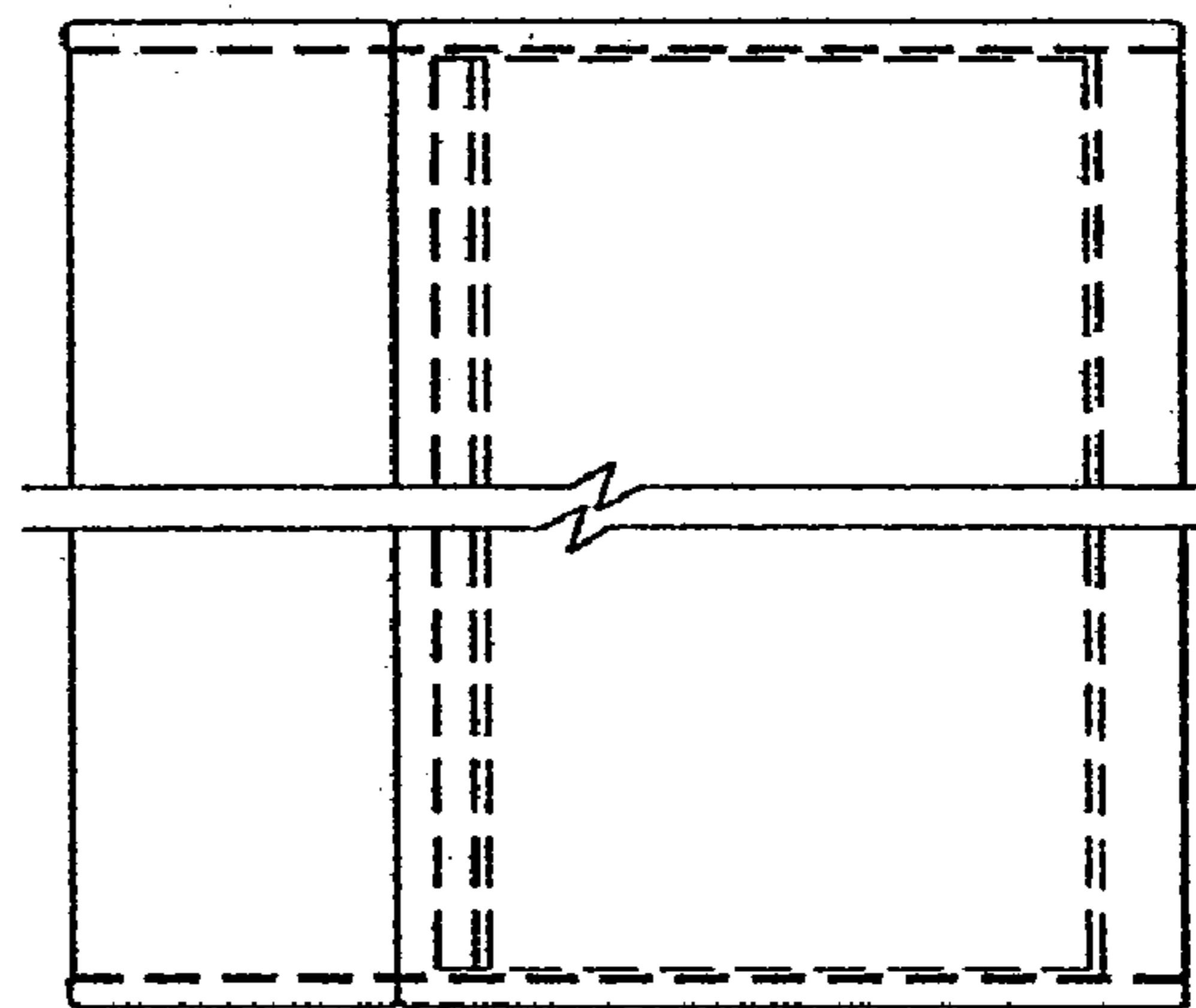


FIG. 6

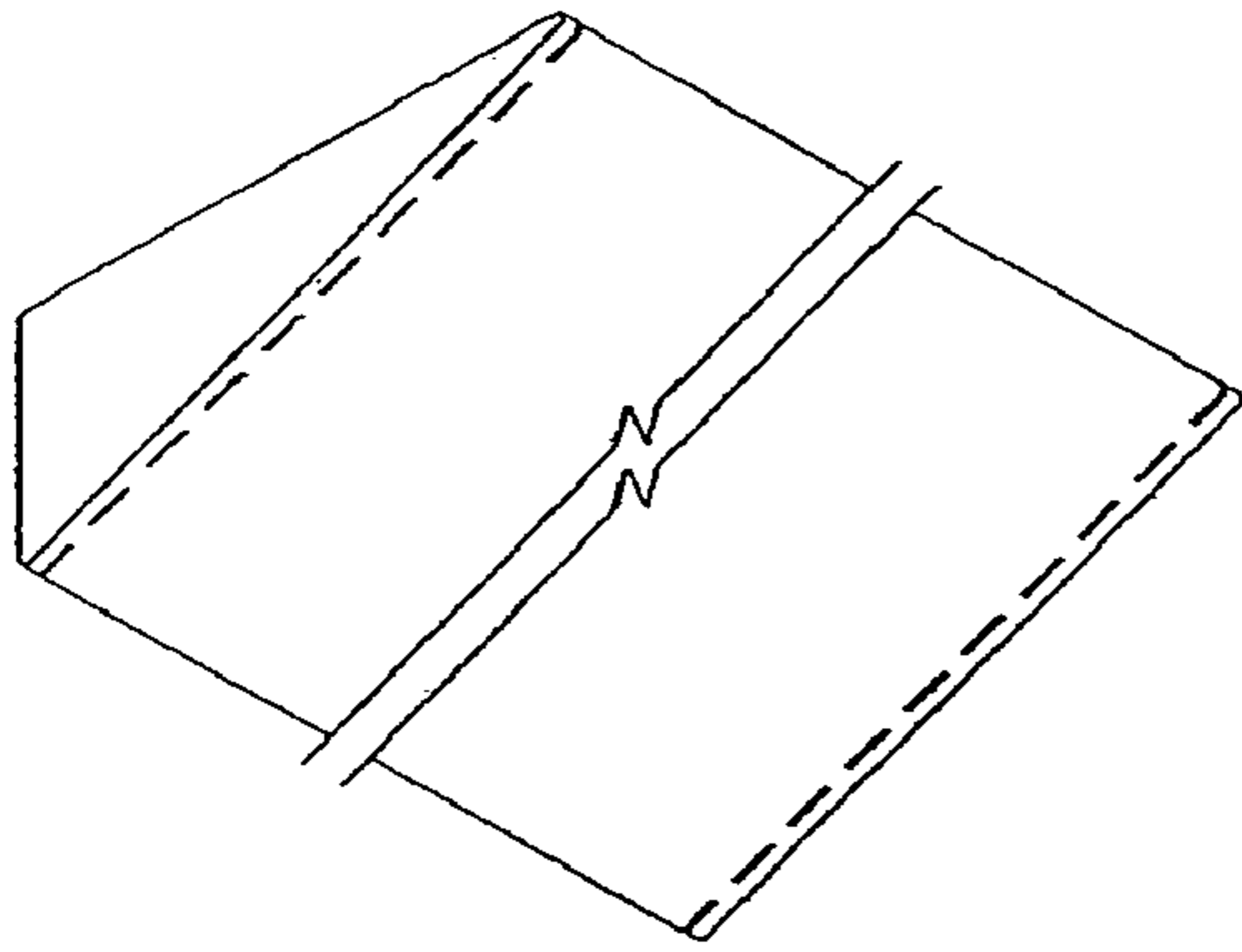


FIG. 7

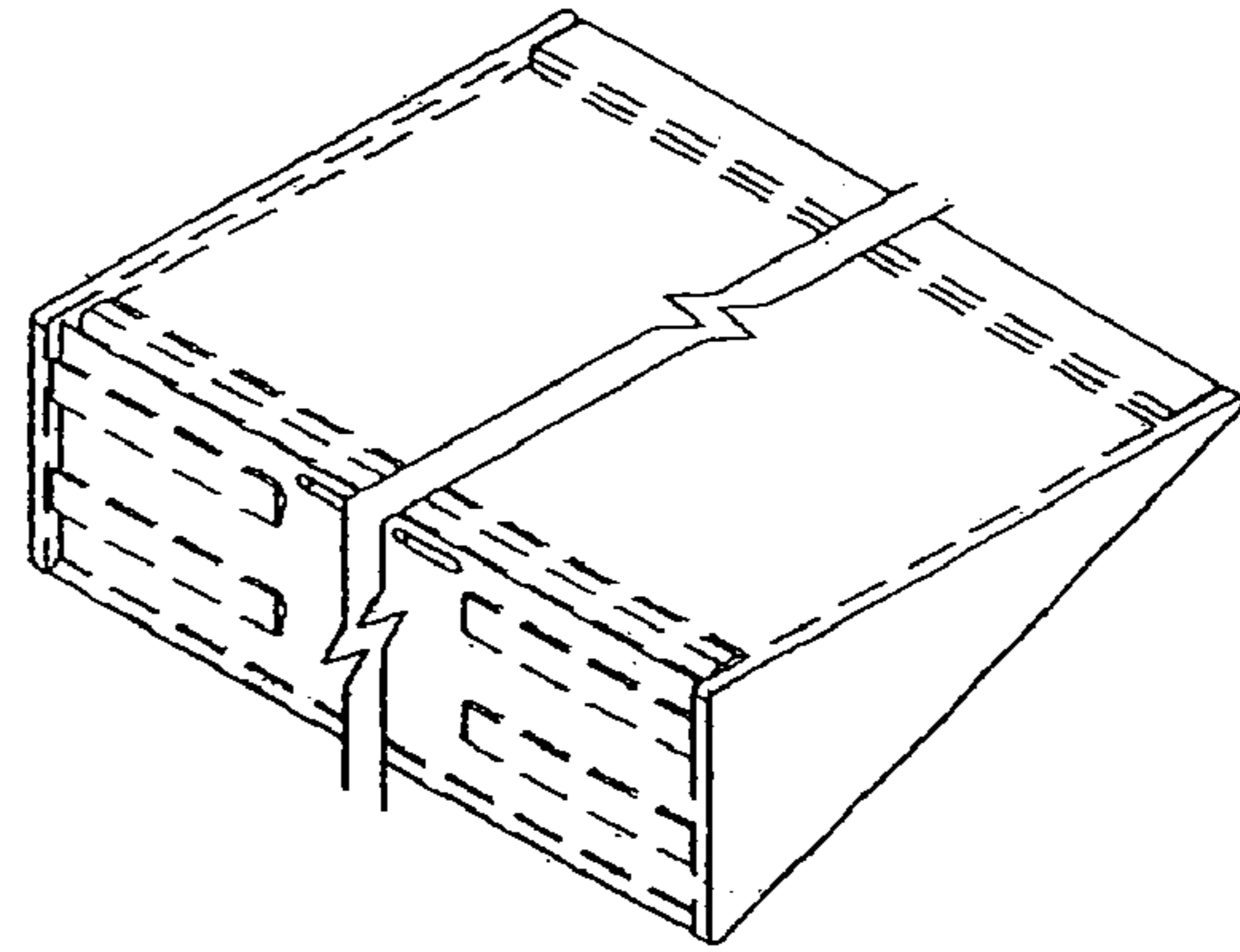


FIG. 8

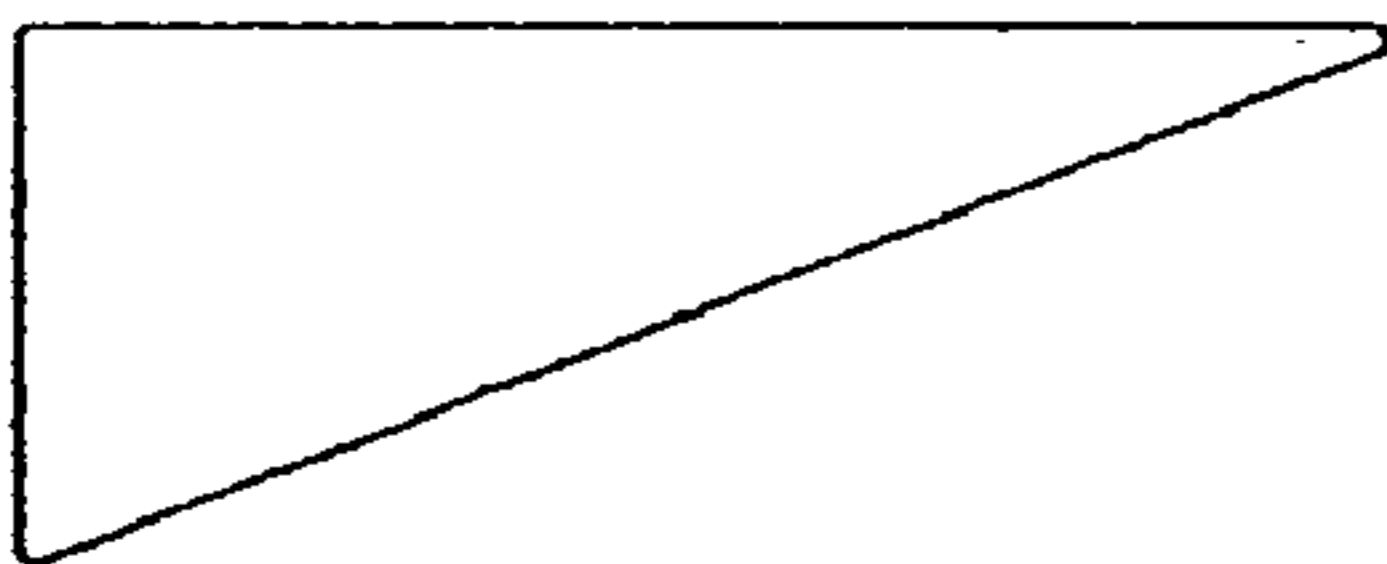


FIG. 9

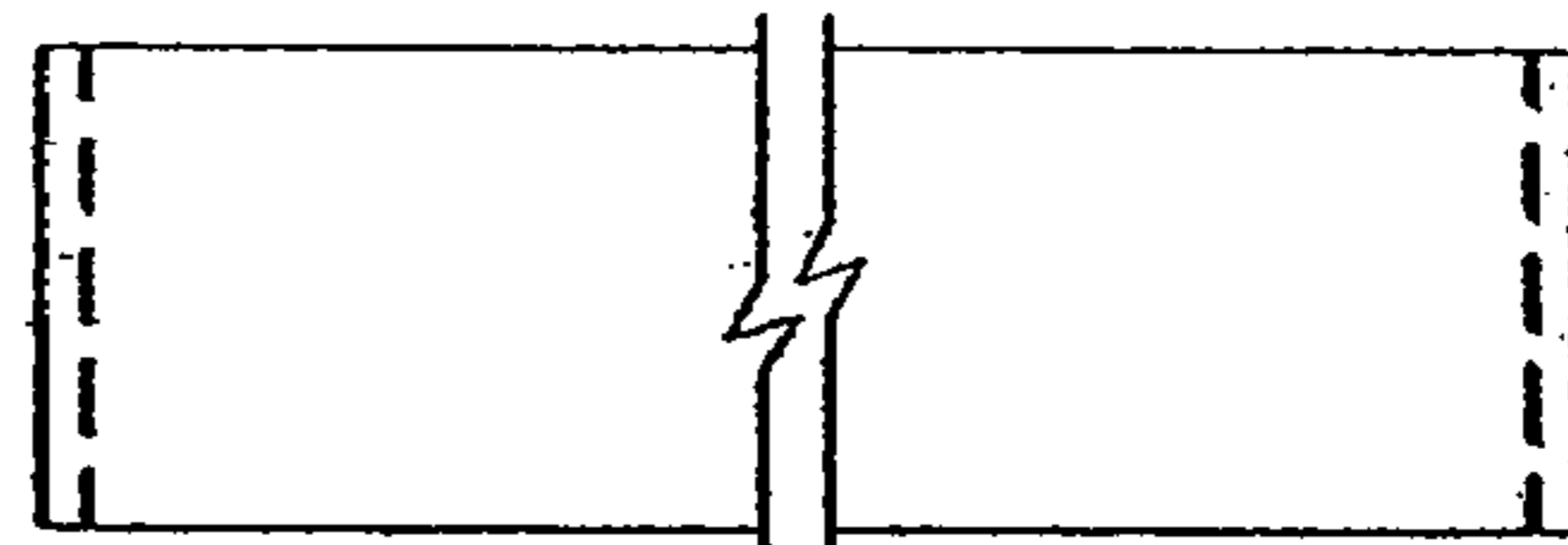


FIG. 10

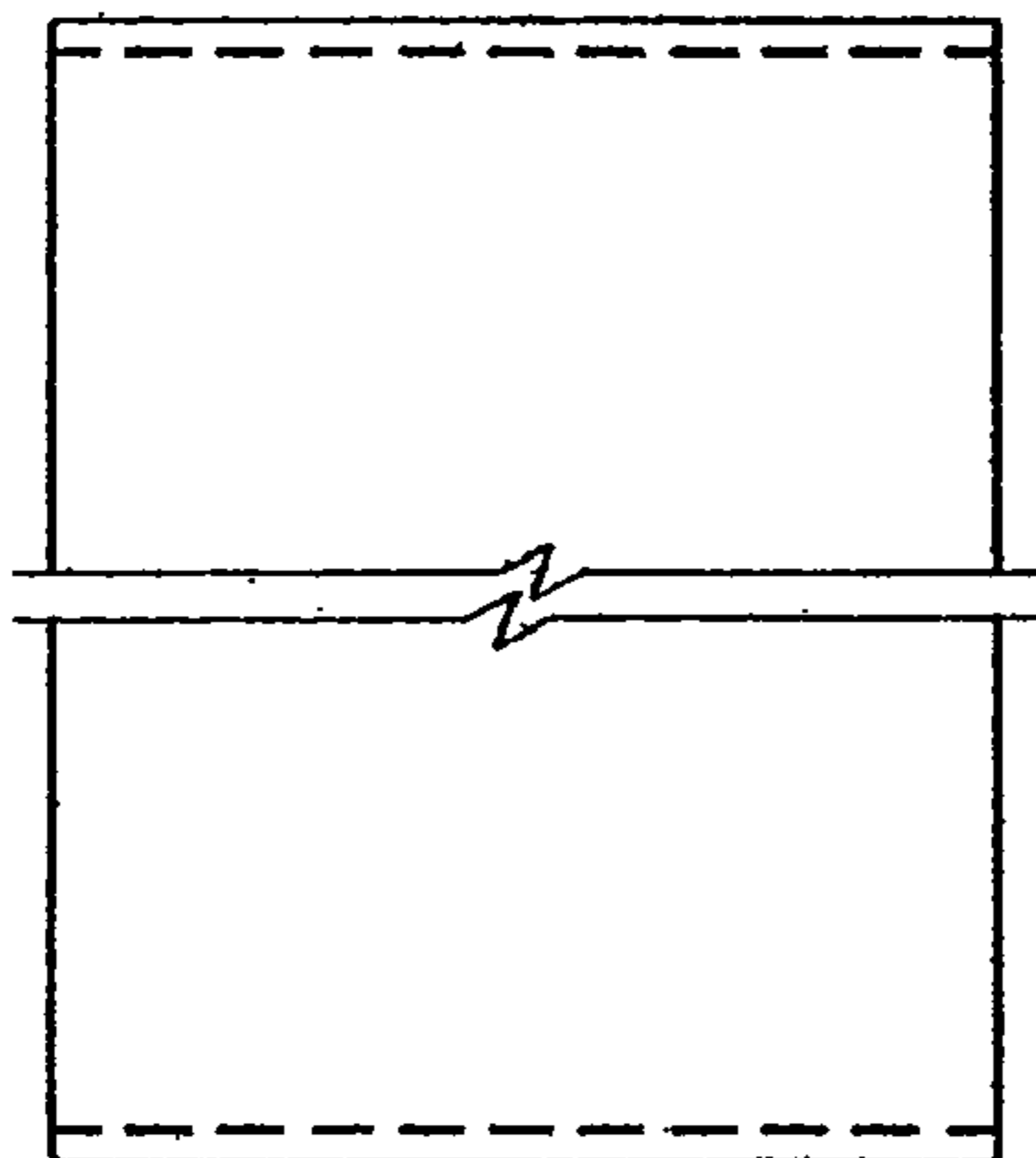


FIG. 11

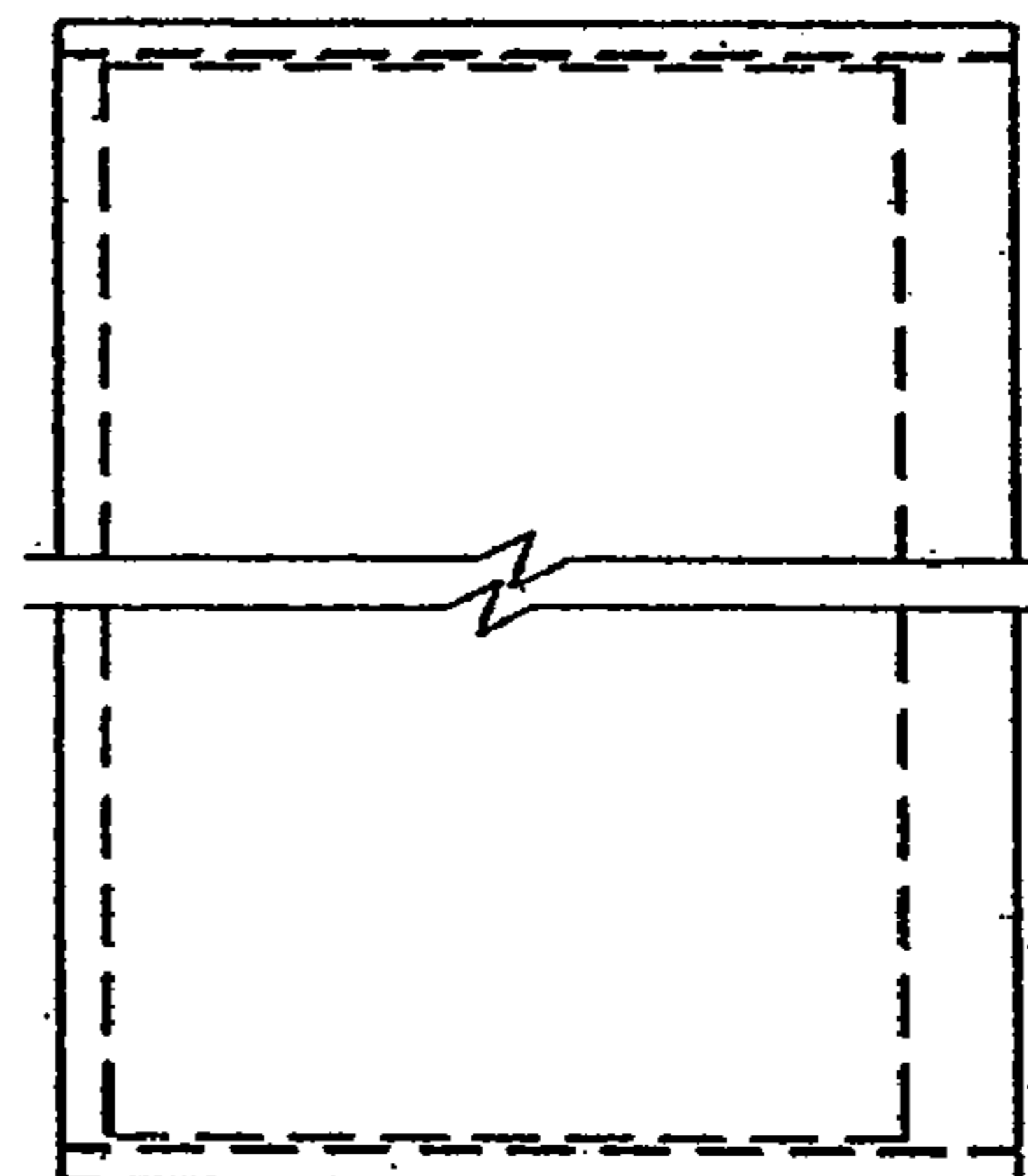


FIG. 12

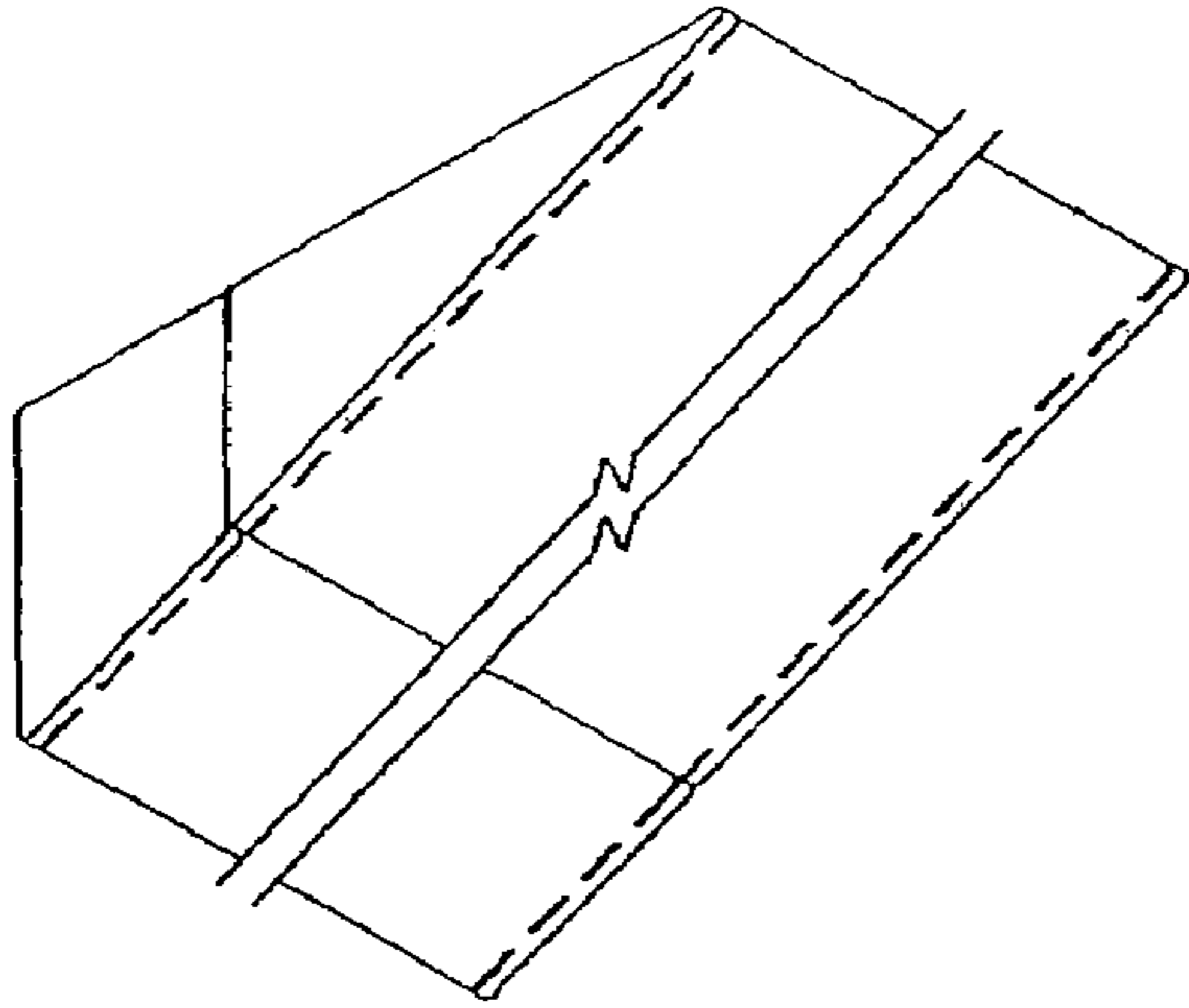


FIG. 13

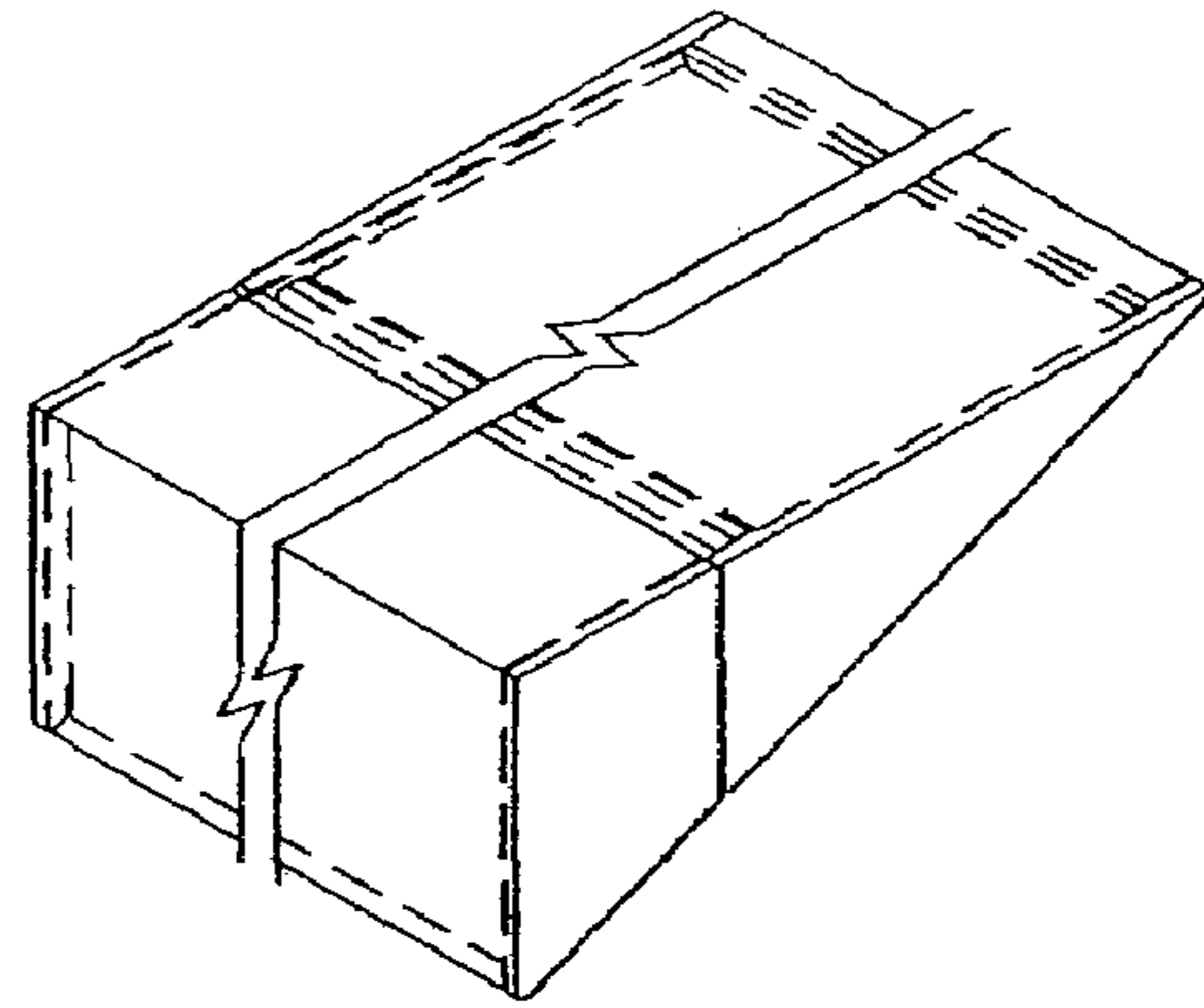


FIG. 14

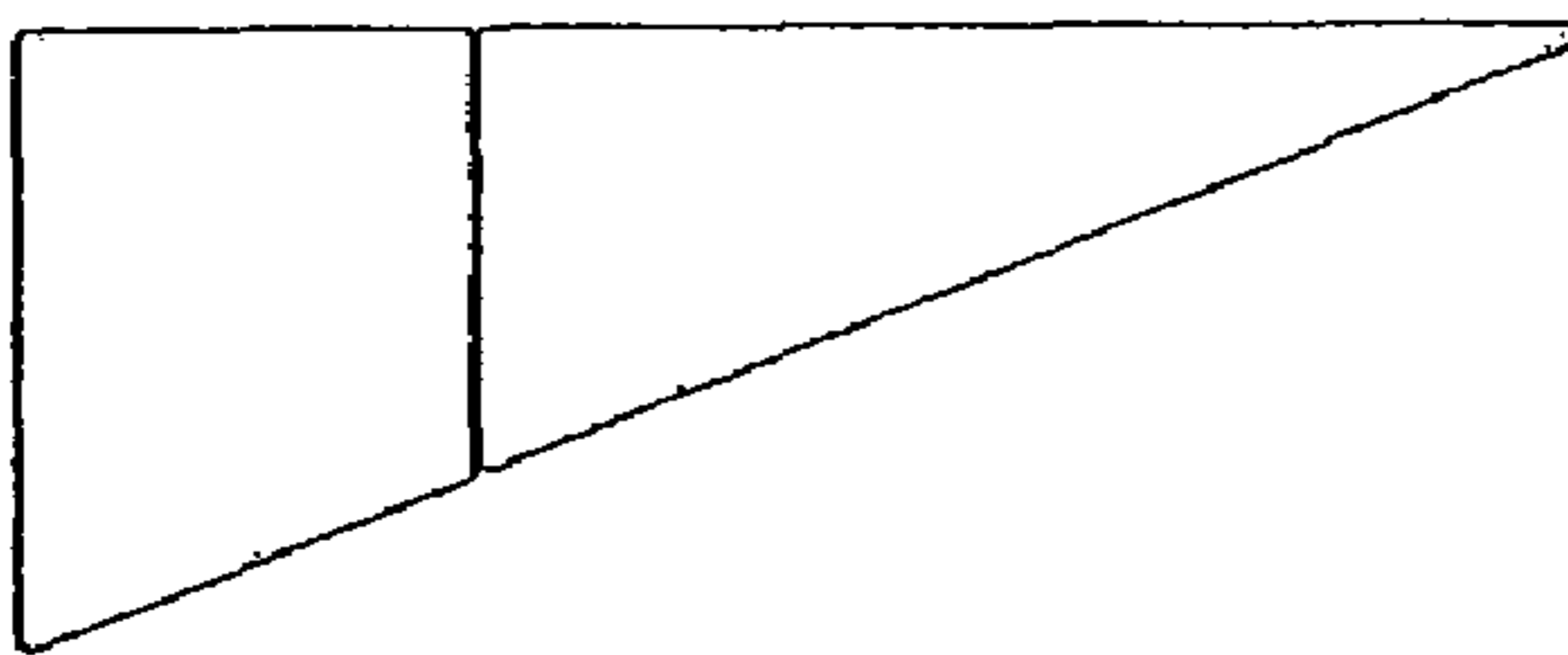


FIG. 15

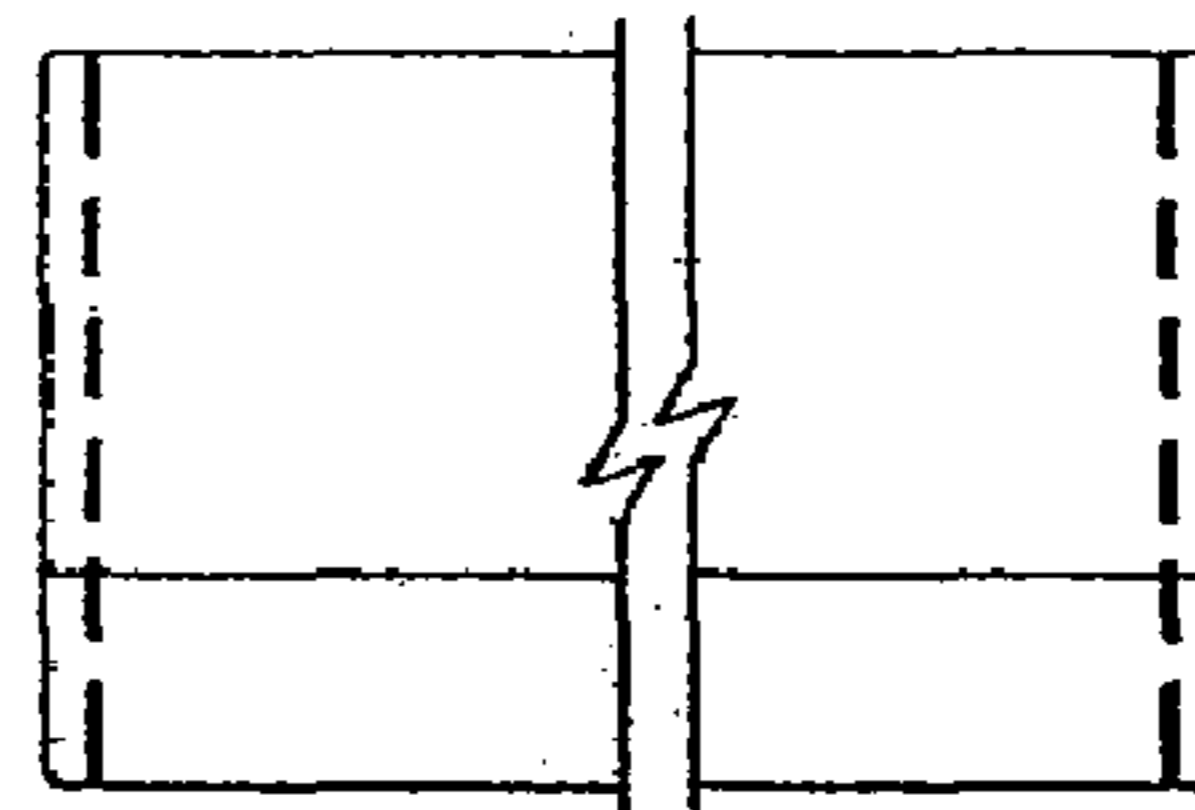


FIG. 16

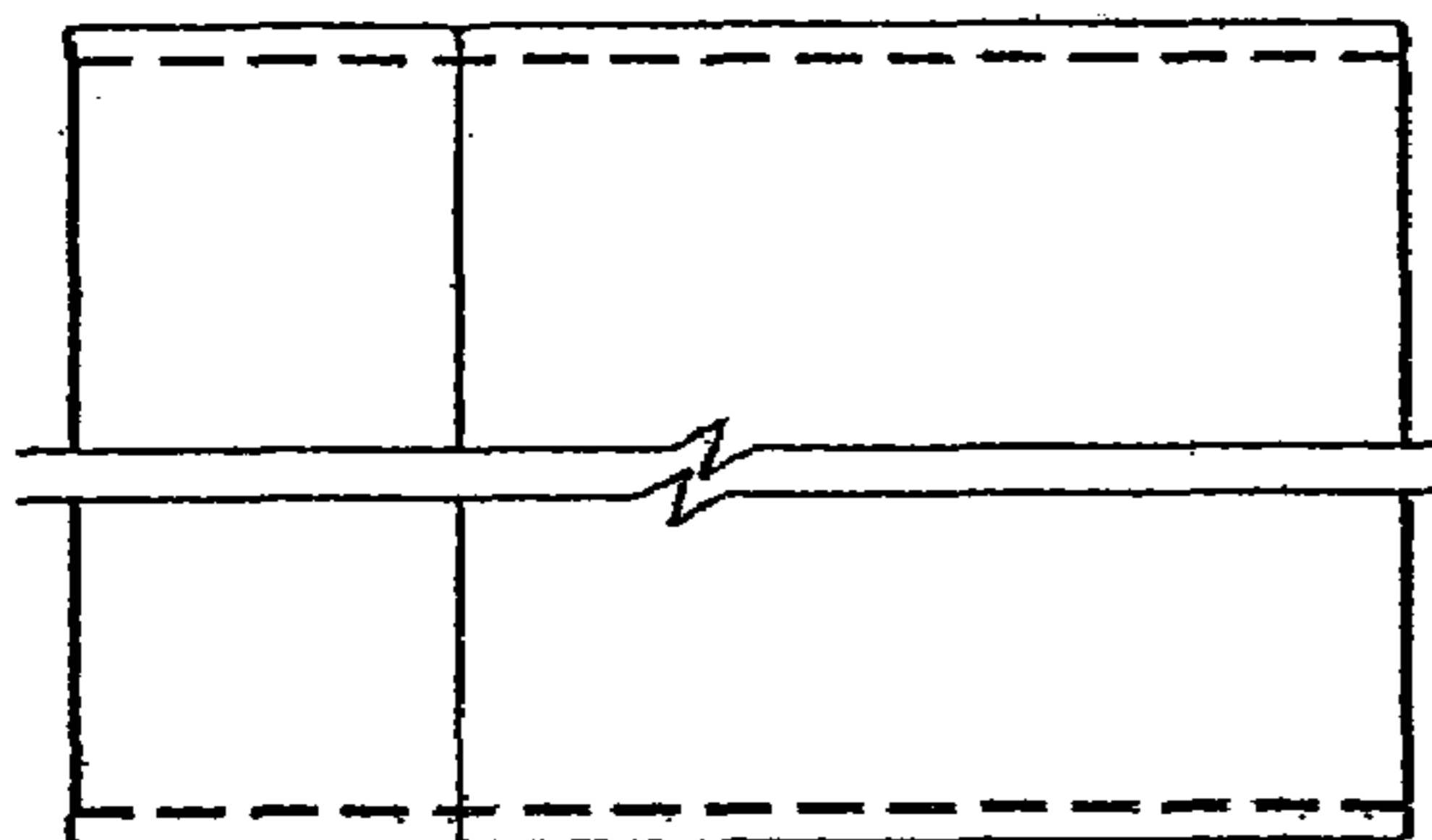


FIG. 17

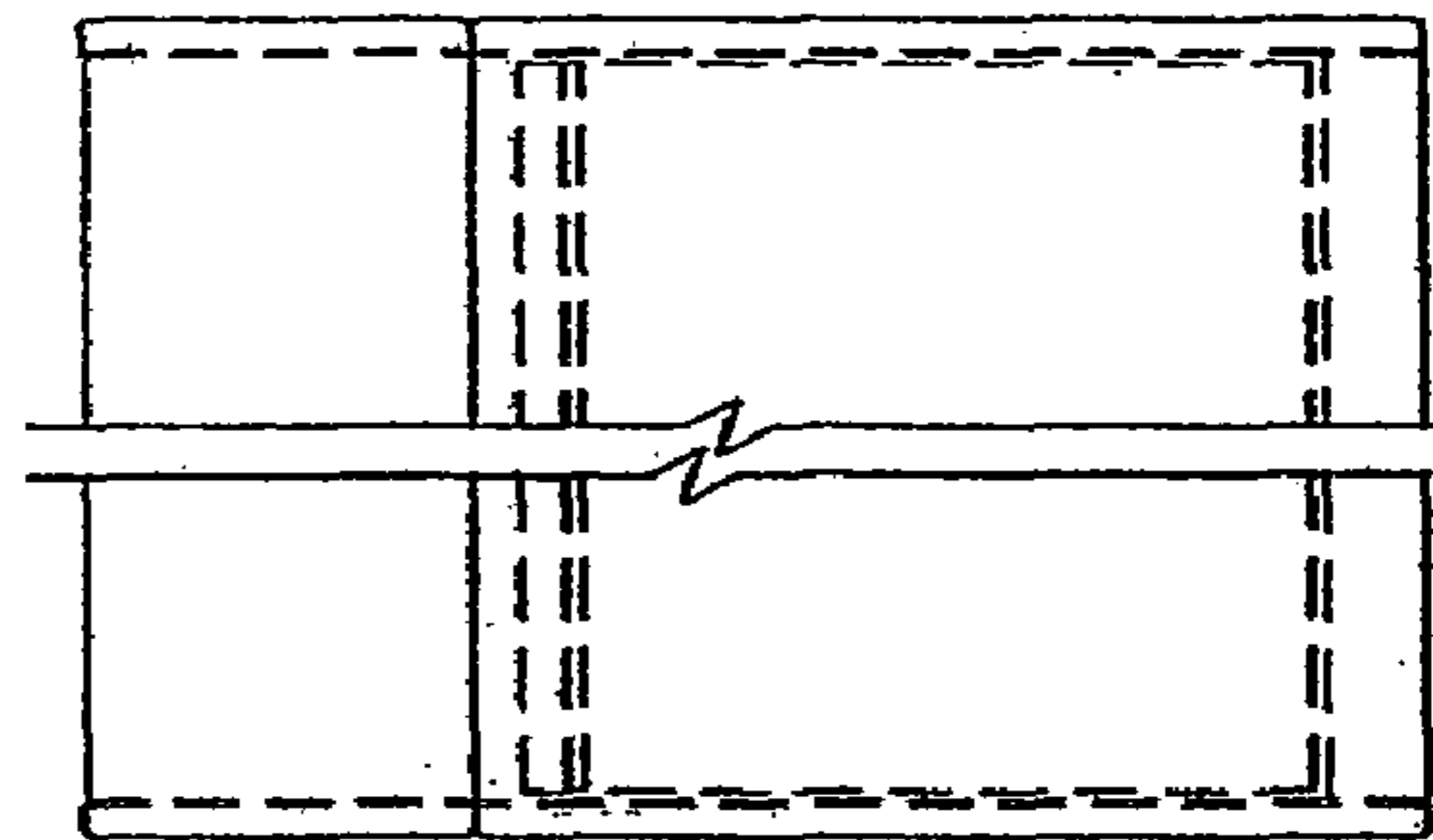


FIG. 18

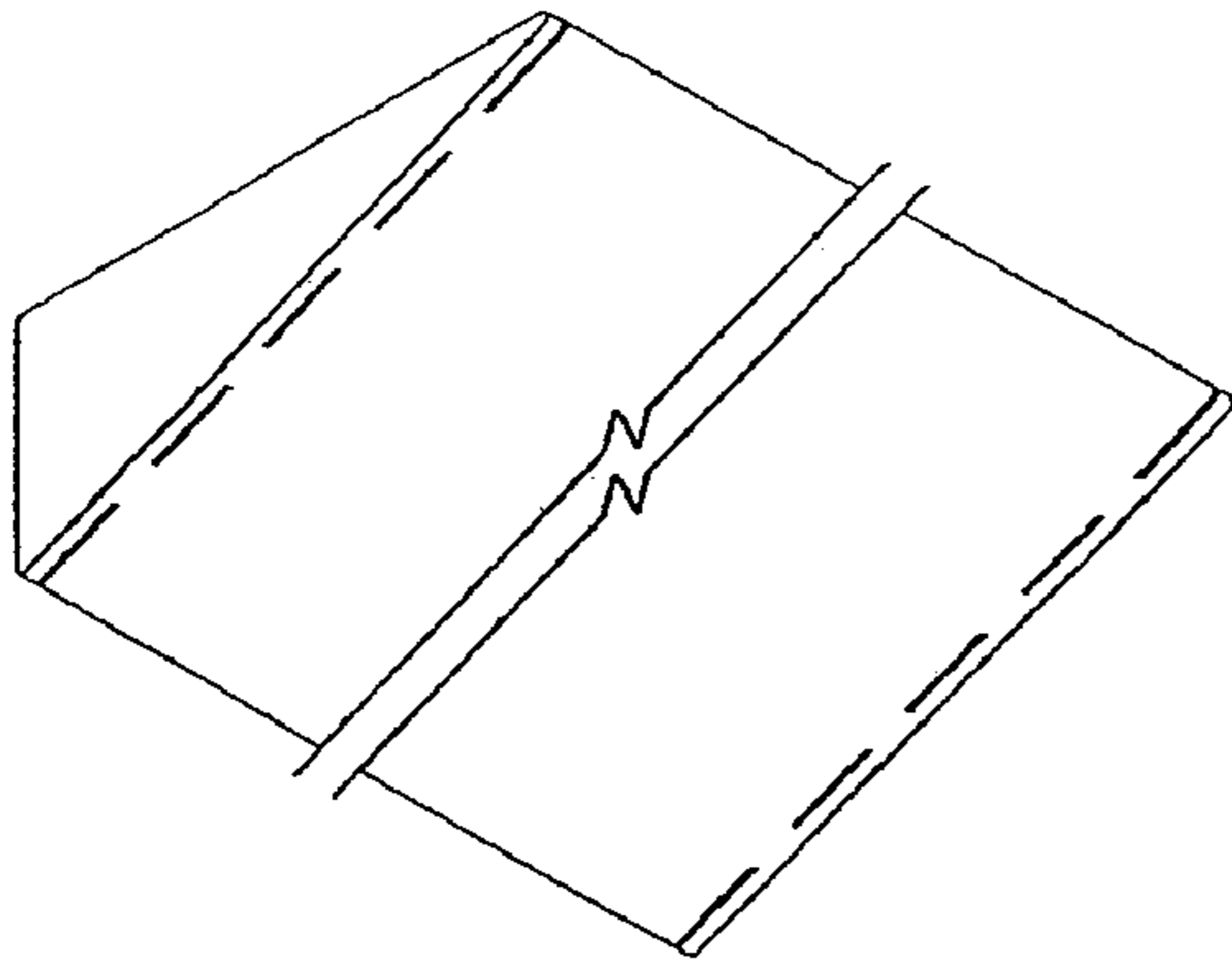


FIG. 19

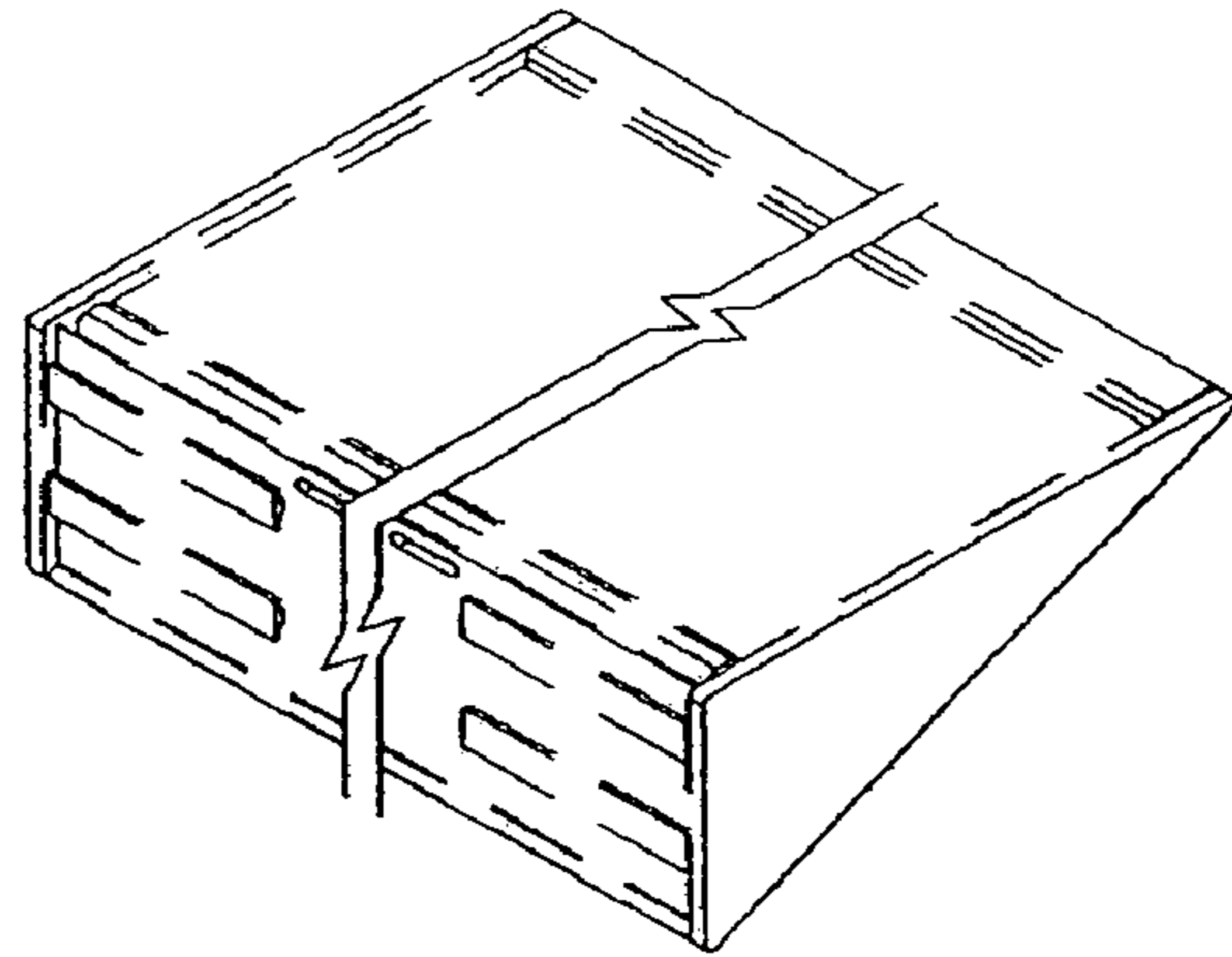


FIG. 20

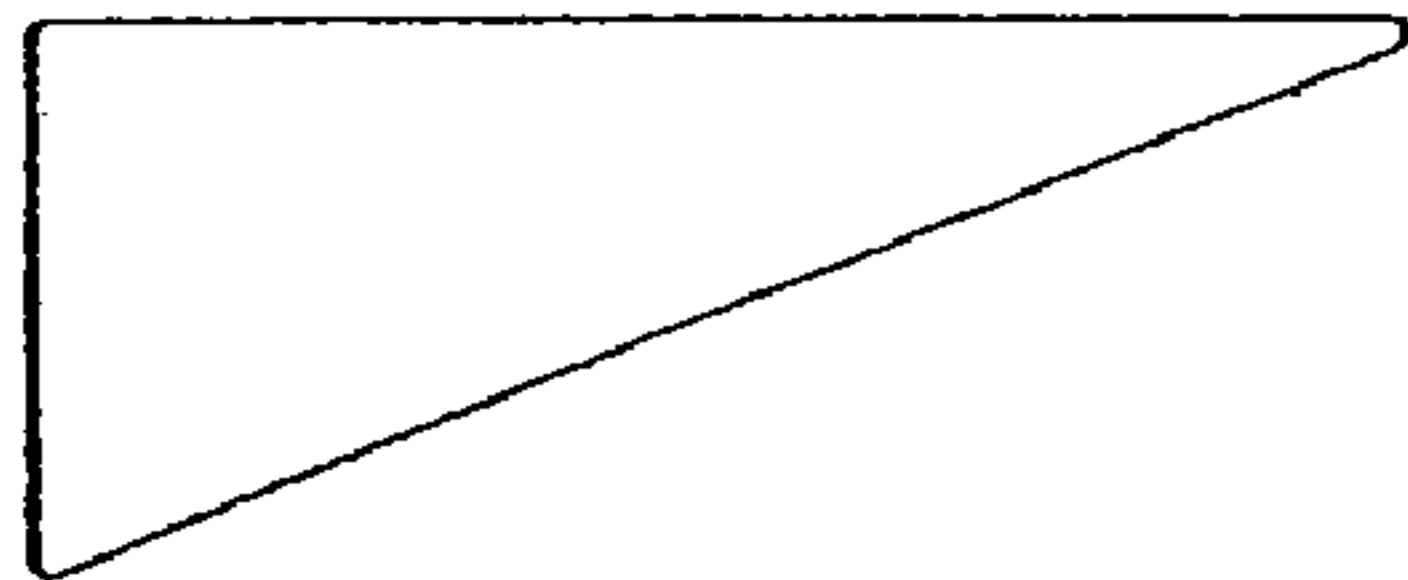


FIG. 21

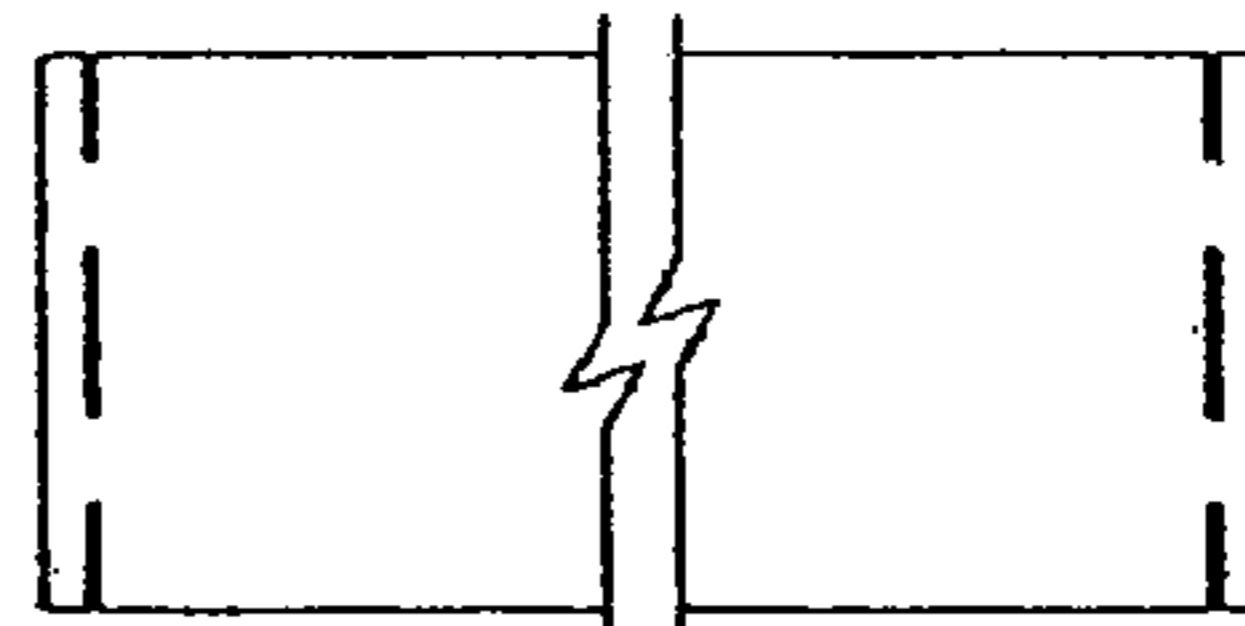


FIG. 22

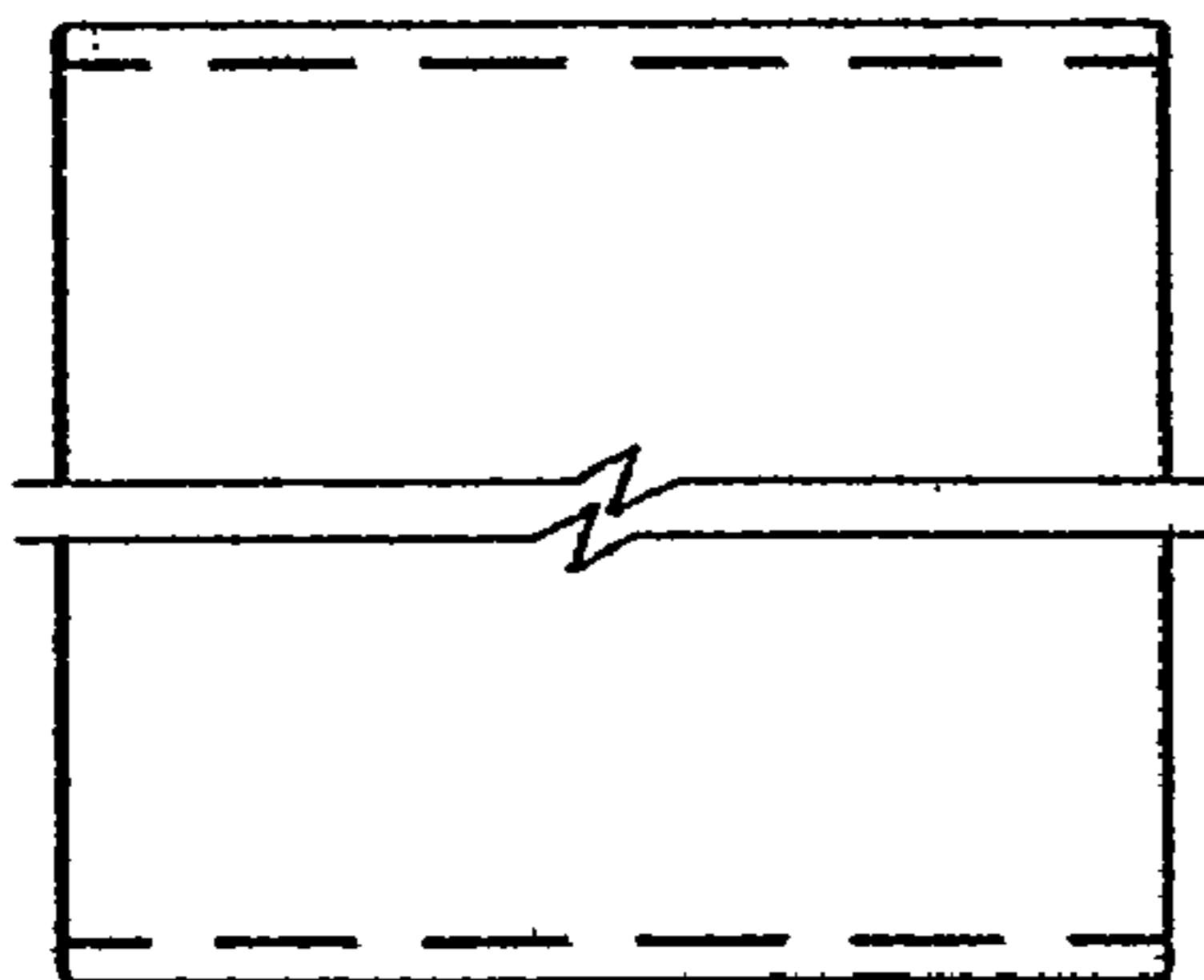


FIG. 23

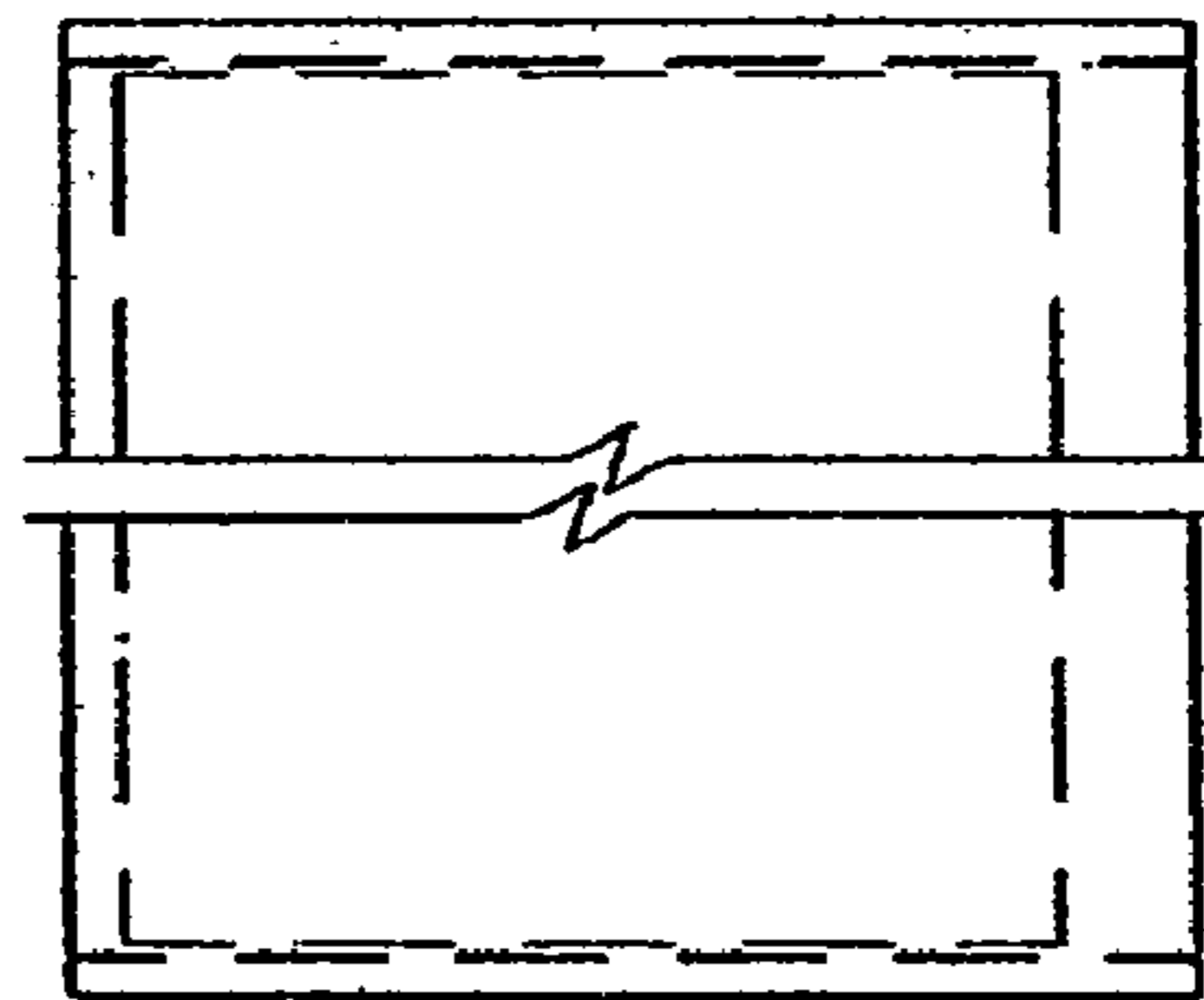


FIG. 24