



US00D566874S

(12) **United States Design Patent**
Howard

(10) **Patent No.:** **US D566,874 S**
(45) **Date of Patent:** **** Apr. 15, 2008**

(54) **TRIANGULAR LIGHTING UNIT**
(75) Inventor: **Carol A. Howard**, Oxford, CT (US)
(73) Assignee: **Hubbell Incorporated**, Orange, CT (US)

(**) Term: **14 Years**
(21) Appl. No.: **29/258,854**
(22) Filed: **Apr. 28, 2006**

(51) **LOC (8) Cl.** **26-05**
(52) **U.S. Cl.** **D26/67; D26/70**
(58) **Field of Classification Search** D26/60,
D26/67-72, 85; 362/102, 240, 157-159,
362/183, 101, 431, 367; D20/17, 41; 40/541
See application file for complete search history.

(56) **References Cited**

U.S. PATENT DOCUMENTS

1,034,211	A *	7/1912	De Palma	52/298
1,592,595	A	7/1926	Arendt		
D75,346	S	5/1928	Beardsley		
2,850,823	A *	9/1958	Sauer	40/541
D236,024	S	7/1975	Stentz		
3,984,069	A	10/1976	Heyworth		
D291,926	S	9/1987	Schlepp		
4,953,067	A *	8/1990	Moore	362/431
D331,198	S *	11/1992	Nickerson	D10/114
5,315,495	A	5/1994	Buser		
D382,910	S *	8/1997	Greenfield	D20/17
D403,360	S *	12/1998	Cobb et al.	D20/41
D412,015	S *	7/1999	Greenfield	D20/17
D418,619	S	1/2000	Porter		
6,050,012	A *	4/2000	Greenfield	40/564
D424,729	S	5/2000	Sonnenfeldt		
D435,927	S	1/2001	Sonnenfeldt		
6,450,657	B1 *	9/2002	Testa et al.	362/604
D468,472	S	1/2003	Mullally et al.		
D471,241	S *	3/2003	Spiller	D20/41
6,682,204	B2	1/2004	Mullally et al.		

OTHER PUBLICATIONS

Bertelson, Michael A., Third Party Submission to the United States Patent and Trademark Office, Dec. 21, 2007, 4 pp.

D&P Custom Lights & Products, Inc. website excerpts, www.dandpcustomlights.com, date unknown, 3 pp.

Moon International website excerpts, www.mooninternational.com, date unknown, 381 pp.

* cited by examiner

Primary Examiner—Clare E Heflin

(74) *Attorney, Agent, or Firm*—Jenae C. Avallone; Mark S. Bicks; Alfred N. Goodman

(57) **CLAIM**

The ornamental design for a triangular lighting unit, as shown and described.

DESCRIPTION

FIG. 1 is a perspective view of the right side and rear of the triangular lighting unit in accordance with the new design, showing a pole in dashed lines that supports the triangular lighting unit;

FIG. 2 is a perspective view of the left side and rear of the triangular lighting unit in accordance with the new design, showing a pole in dashed lines that supports the triangular lighting unit illustrated in FIG. 1;

FIG. 3 is a front elevational view of the triangular lighting unit illustrated in FIGS. 1-2;

FIG. 4 is a left side elevational view of the triangular lighting unit illustrated in FIGS. 1-3;

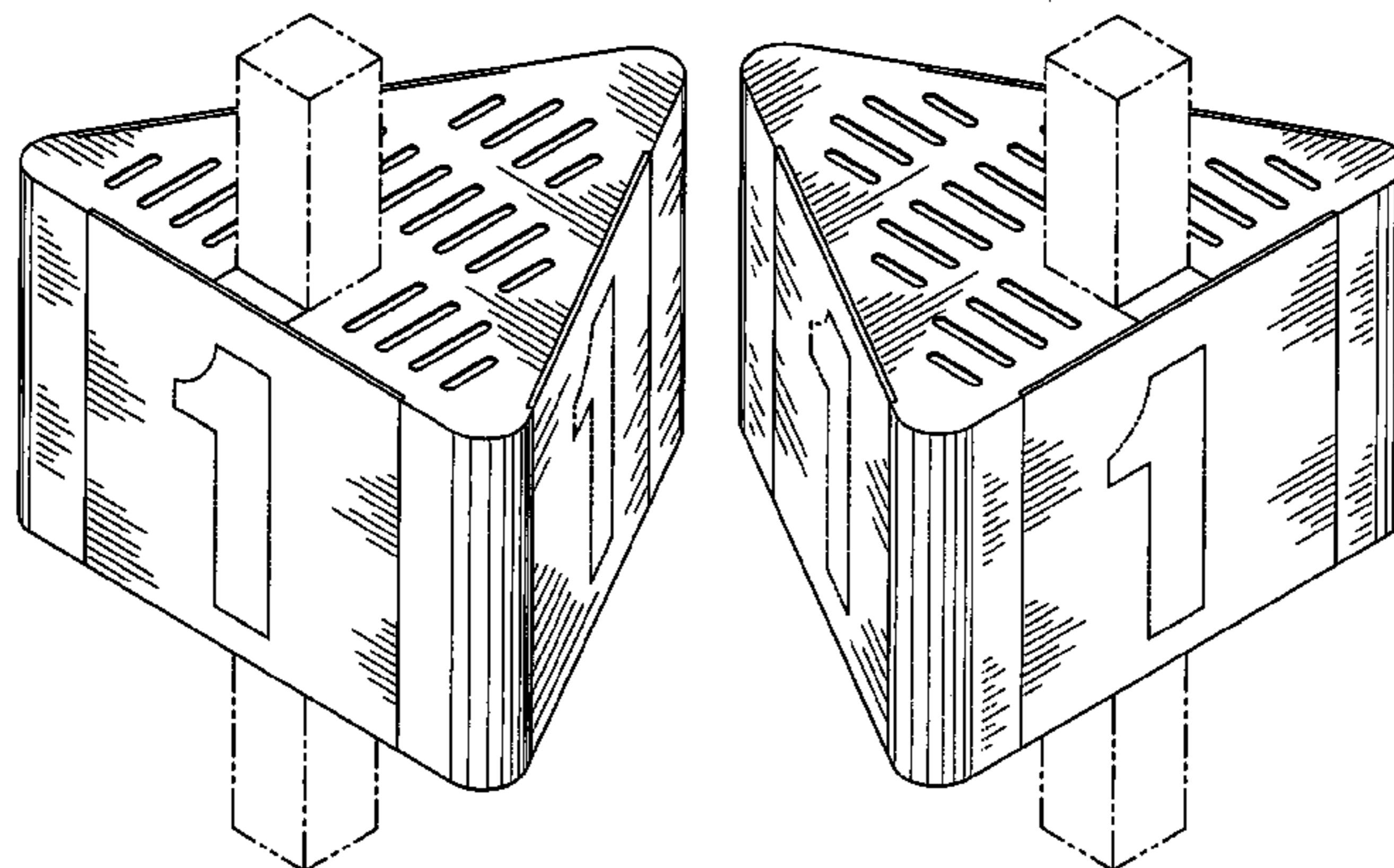
FIG. 5 is a right side elevational view of the triangular lighting unit illustrated in FIGS. 1-4;

FIG. 6 is a top plan view of the triangular lighting unit illustrated in FIGS. 1-5; and,

FIG. 7 is a bottom plan view of the triangular lighting unit illustrated in FIGS. 1-6.

The dashed lines shown on the drawings are for illustrative purposes only and form no part of the claimed design.

1 Claim, 4 Drawing Sheets



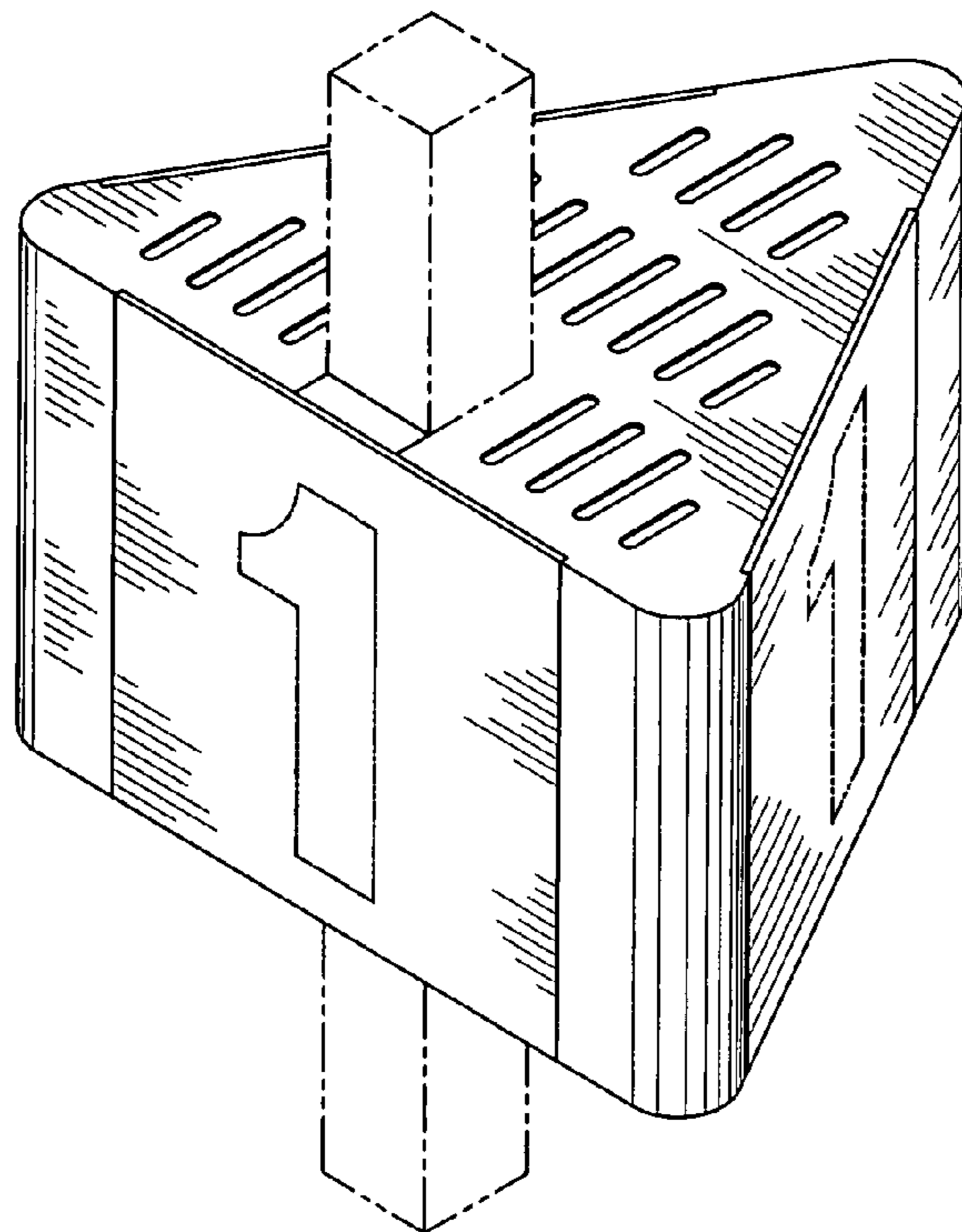


FIG. 1

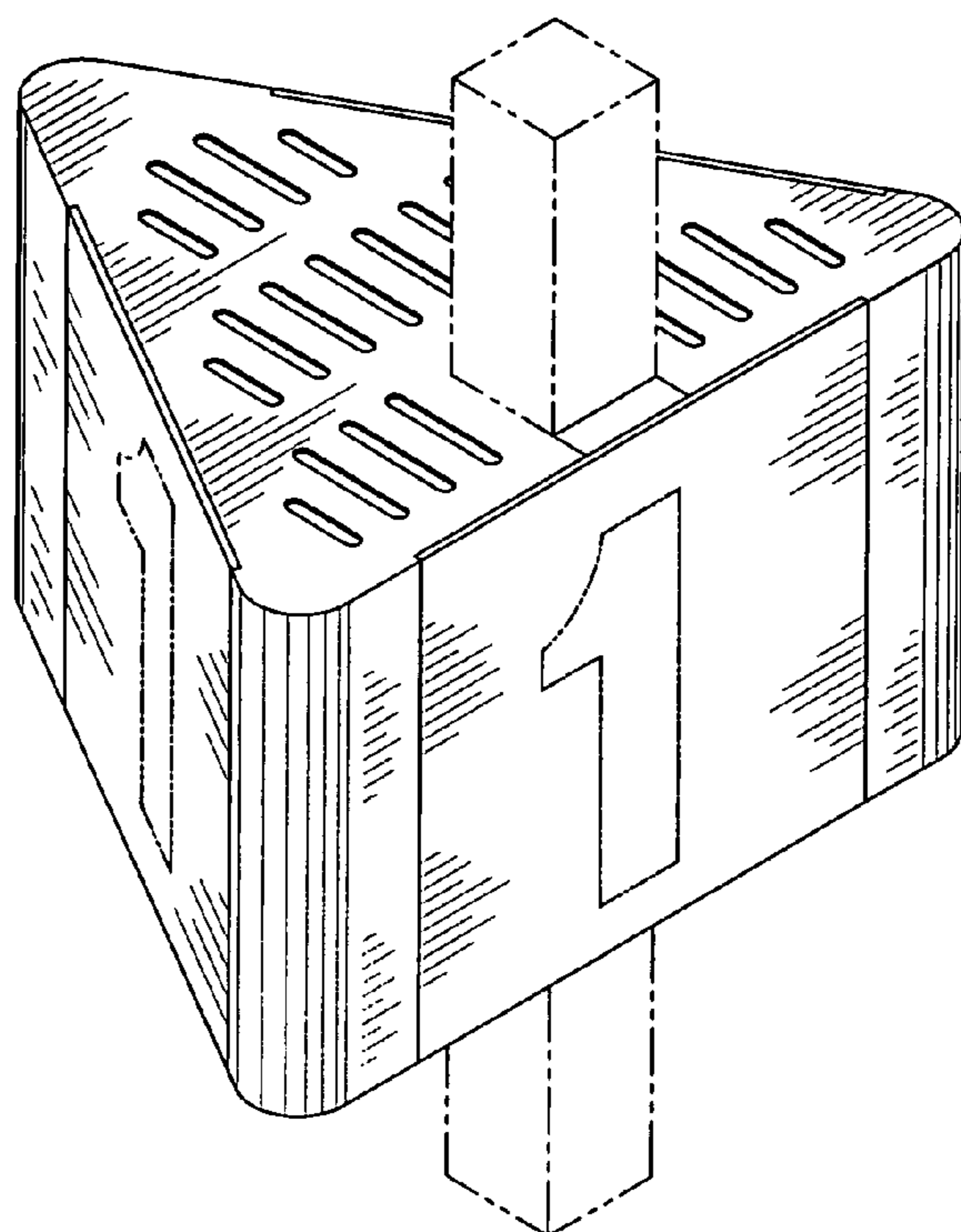


FIG. 2

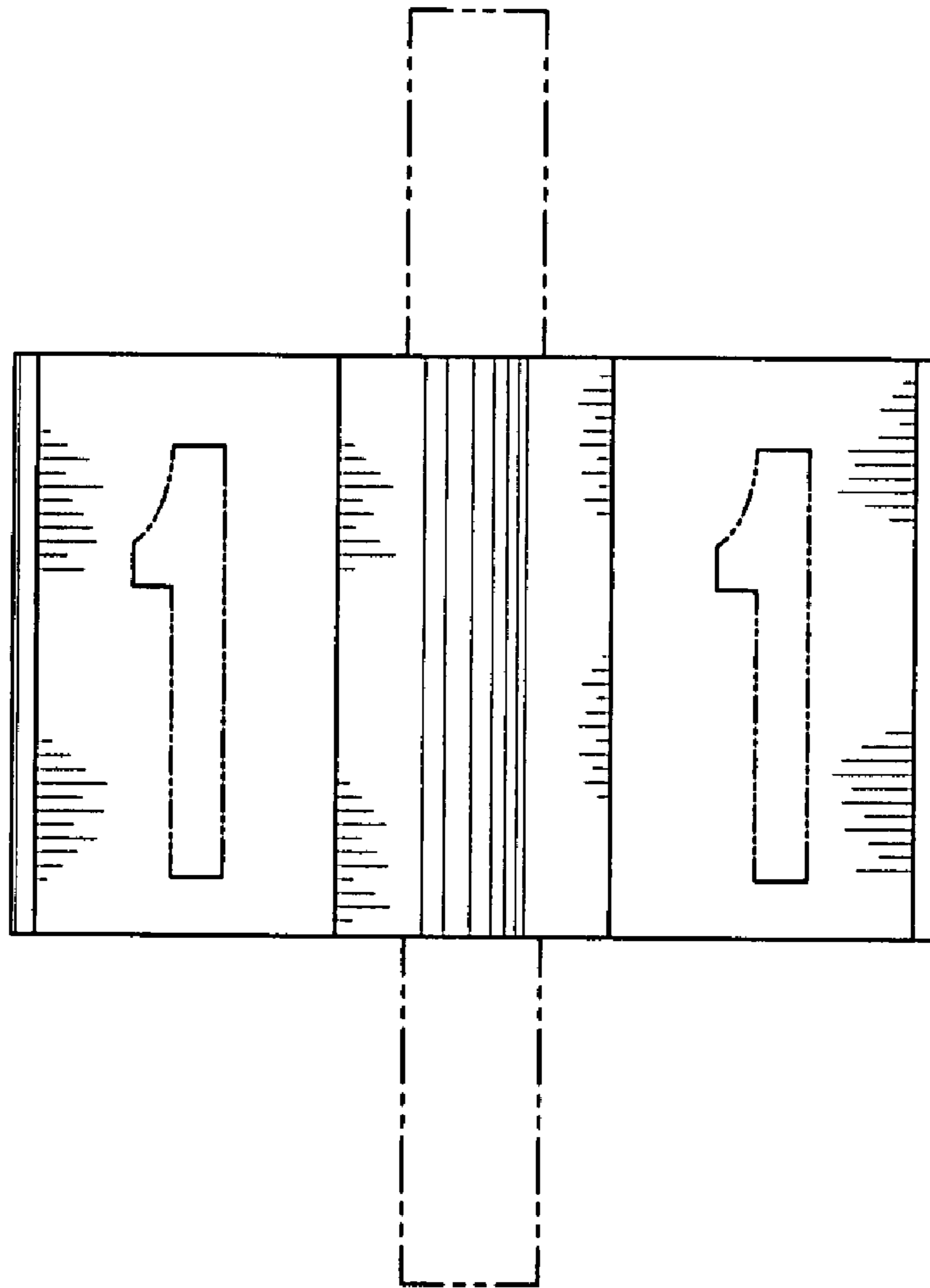


FIG. 3

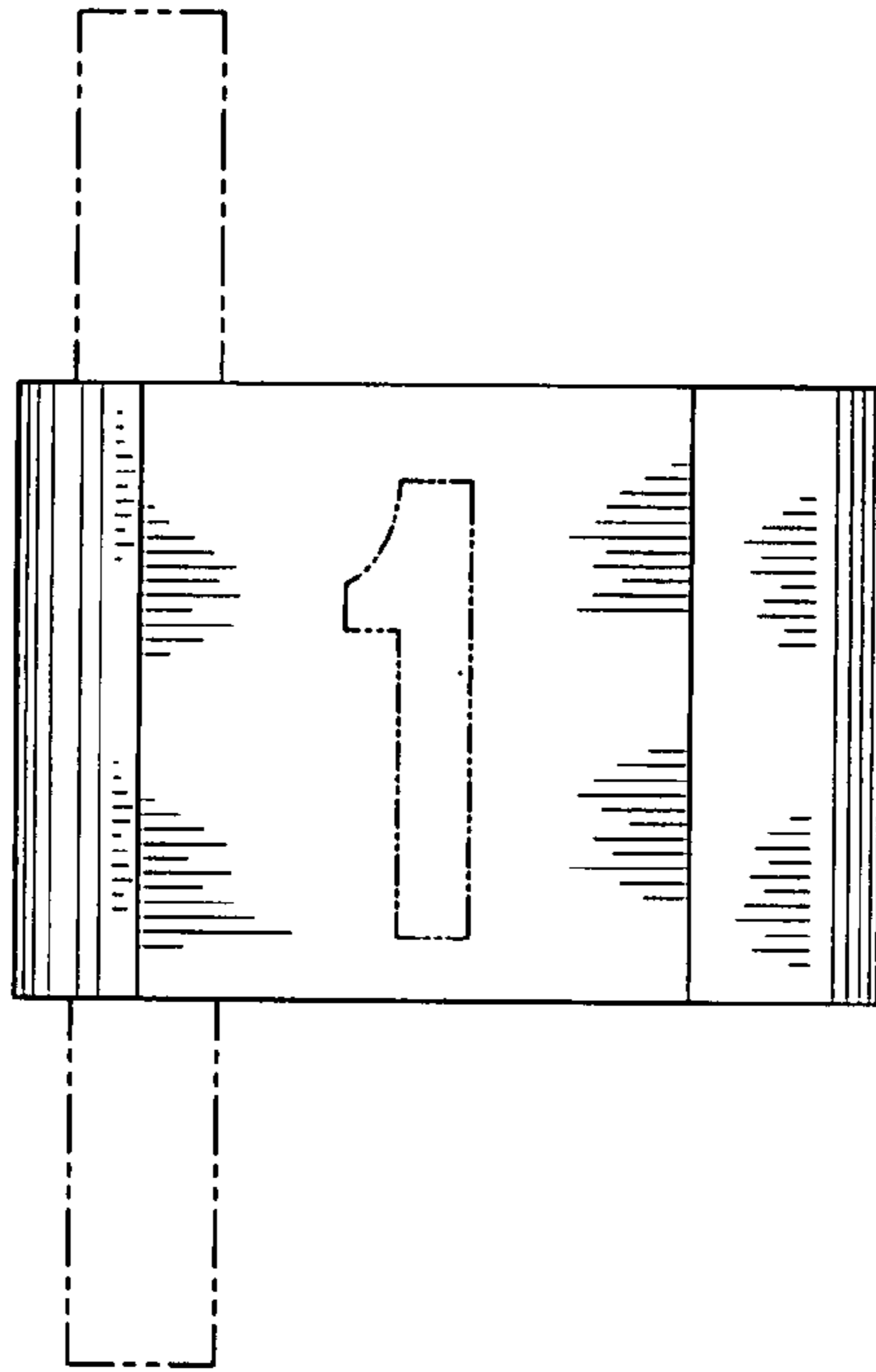


FIG. 4

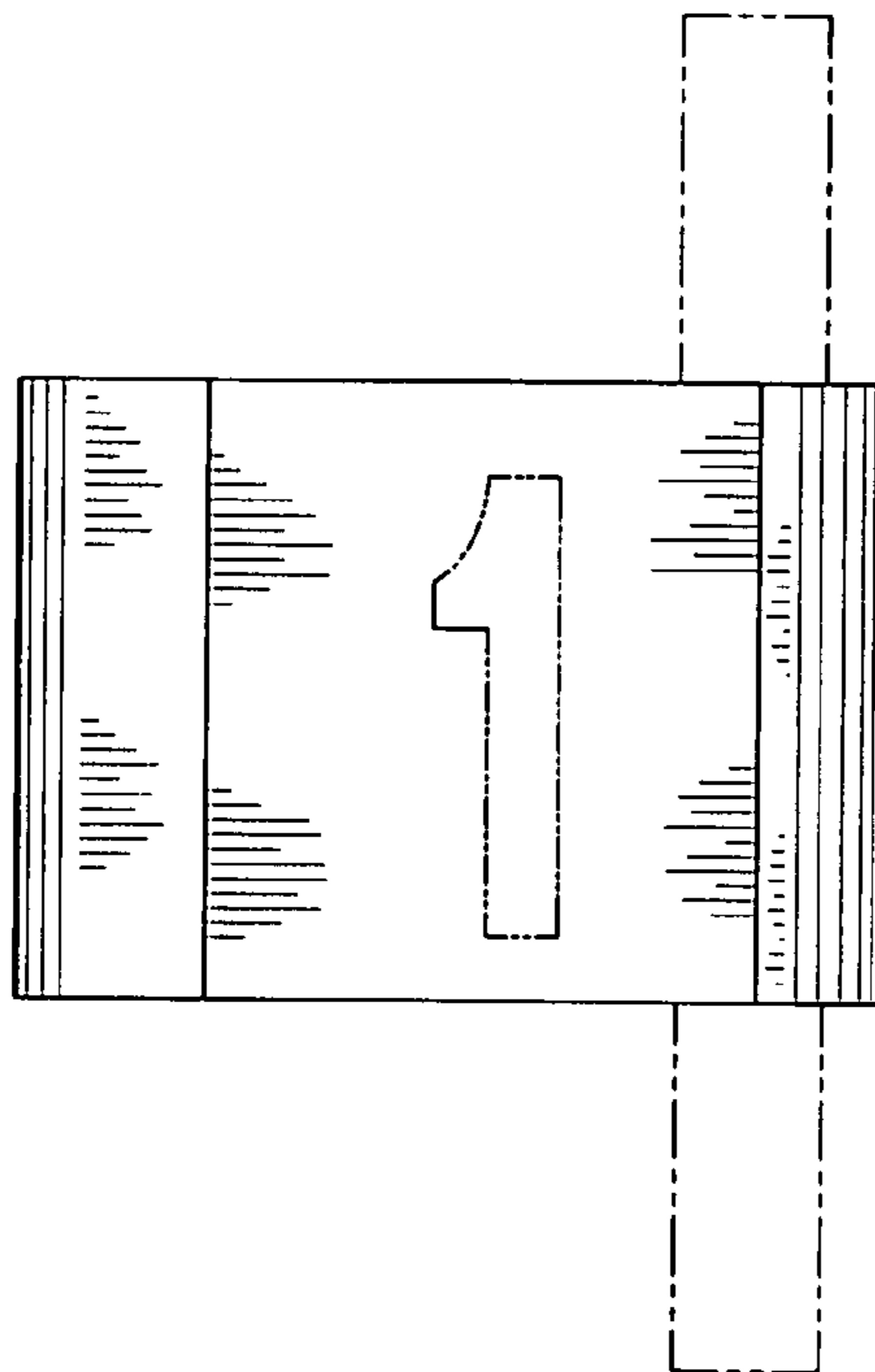


FIG. 5

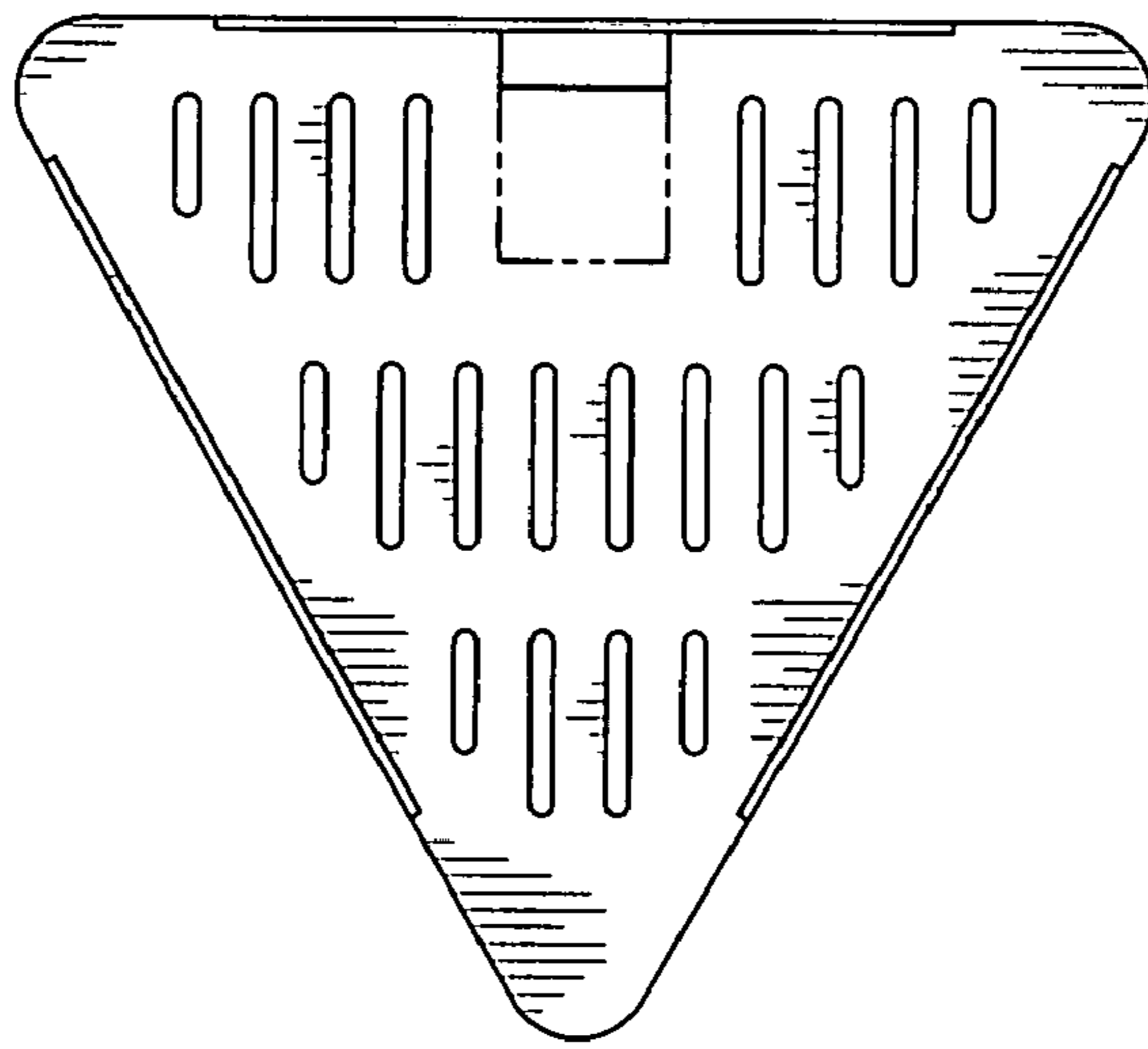


FIG. 6

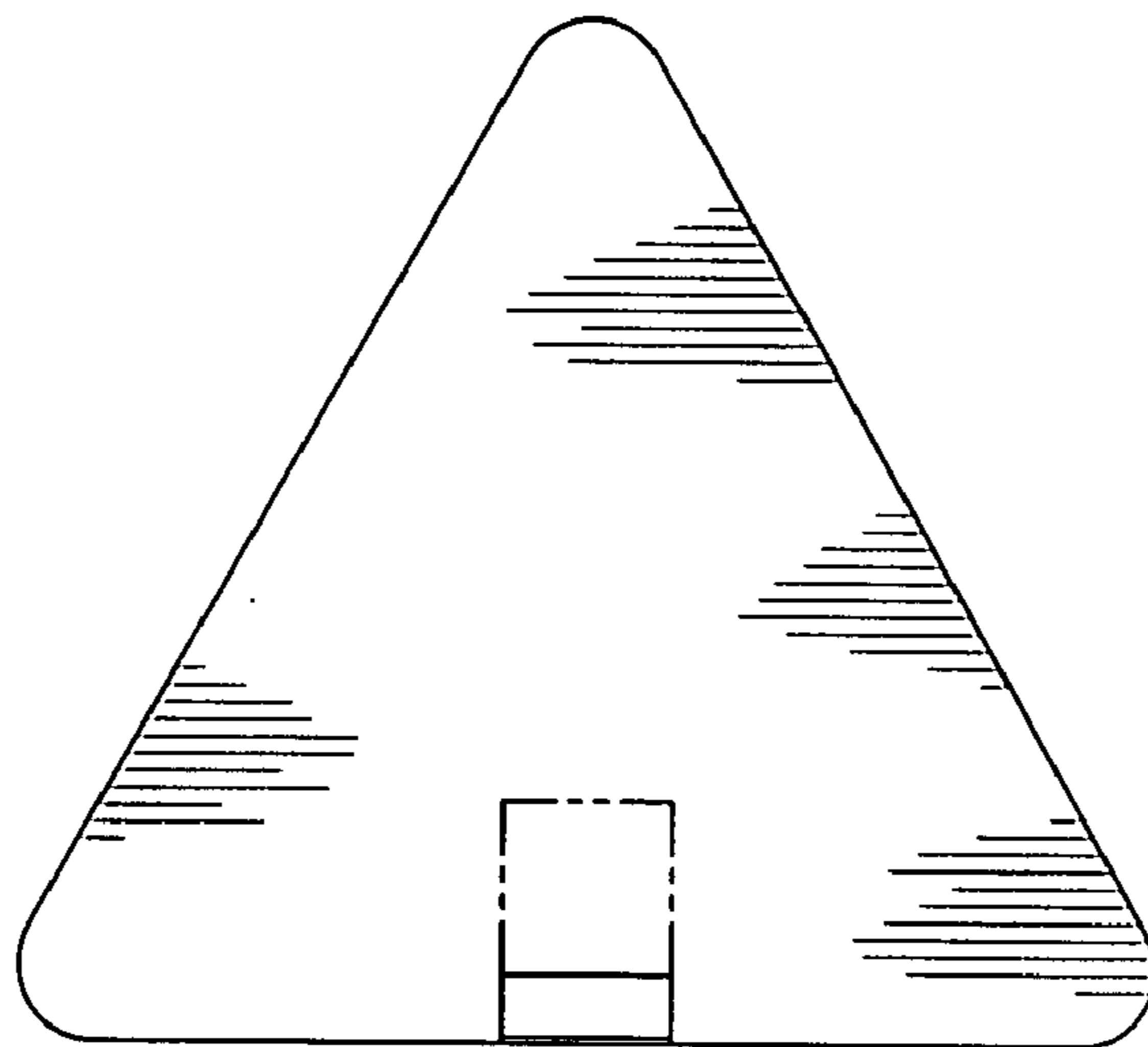


FIG. 7