



US00D566873S

(12) **United States Design Patent**
Gründl et al.

(10) **Patent No.:** **US D566,873 S**

(45) **Date of Patent:** **** Apr. 15, 2008**

(54) **SPOTLIGHT**

(75) Inventors: **Harald Gründl**, Vienna (AT); **Gernot Bohmann**, Vienna (AT); **Martin Bergmann**, Vienna (AT)

(73) Assignee: **Zumtobel Staff GmbH & Co. KG**, Lemgo (DE)

(**) Term: **14 Years**

(21) Appl. No.: **29/226,619**

(22) Filed: **Mar. 31, 2005**

(30) **Foreign Application Priority Data**

Nov. 2, 2004 (EM) 000247762-0001

(51) **LOC (8) Cl.** **26-05**

(52) **U.S. Cl.** **D26/63**

(58) **Field of Classification Search** D26/24,
D26/60-67, 85; 362/285, 287, 418, 419,
362/427, 147, 269, 271, 275, 291, 310, 311,
362/362, 296, 159, 187, 266

See application file for complete search history.

(56) **References Cited**

U.S. PATENT DOCUMENTS

D231,559 S * 4/1974 Darling D26/63
D239,967 S * 5/1976 Ewing D26/65
D287,413 S * 12/1986 Kusmer et al. D26/65
D316,156 S * 4/1991 Gecchelin D26/63
5,072,216 A * 12/1991 Grange 340/825.52

5,788,518 A * 8/1998 Wachter et al. 439/121
D402,384 S * 12/1998 Chen D26/63
D538,959 S * 3/2007 Kosche D26/63
D541,456 S * 4/2007 Kosche D26/63
D541,457 S * 4/2007 Benghozi D26/63

* cited by examiner

Primary Examiner—Clare E Heflin

Assistant Examiner—Barbara Fox

(74) *Attorney, Agent, or Firm*—Fitzpatrick, Cella, Harper & Scinto

(57) **CLAIM**

The ornamental design for a spotlight, as shown and described.

DESCRIPTION

FIG. 1 is a perspective view showing a bottom, one lateral side, and a front side of the new design;

FIG. 2 is an elevational view showing the front side of the new design;

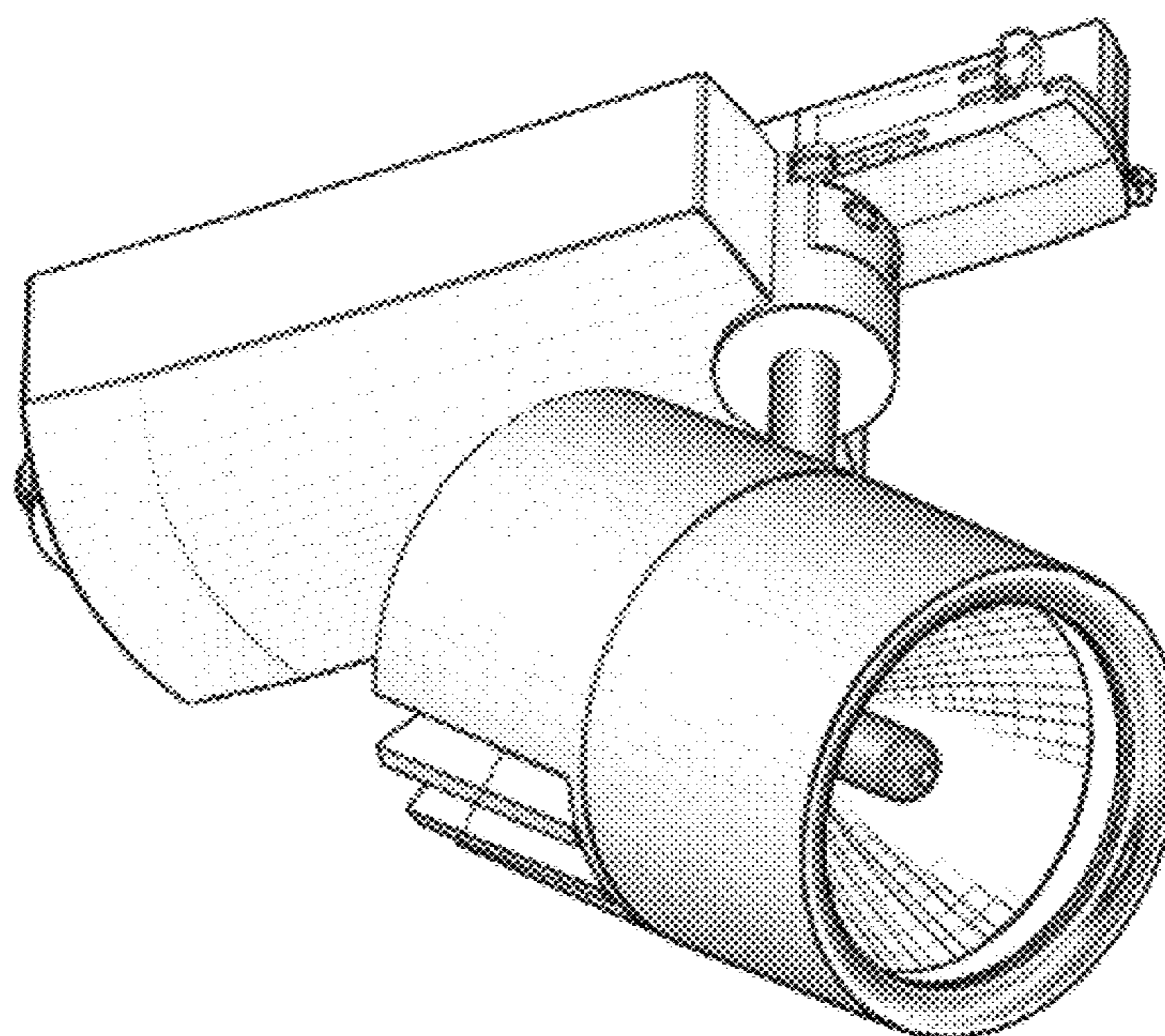
FIG. 3 is an elevational view showing a back side of the new design;

FIG. 4 is an elevational view showing the one lateral side of the new design;

FIG. 5 is another perspective view showing the bottom, one lateral side, and front side of the new design; and,

FIG. 6 is a perspective view showing another lateral side, the bottom, and a back side of the new design.

1 Claim, 6 Drawing Sheets



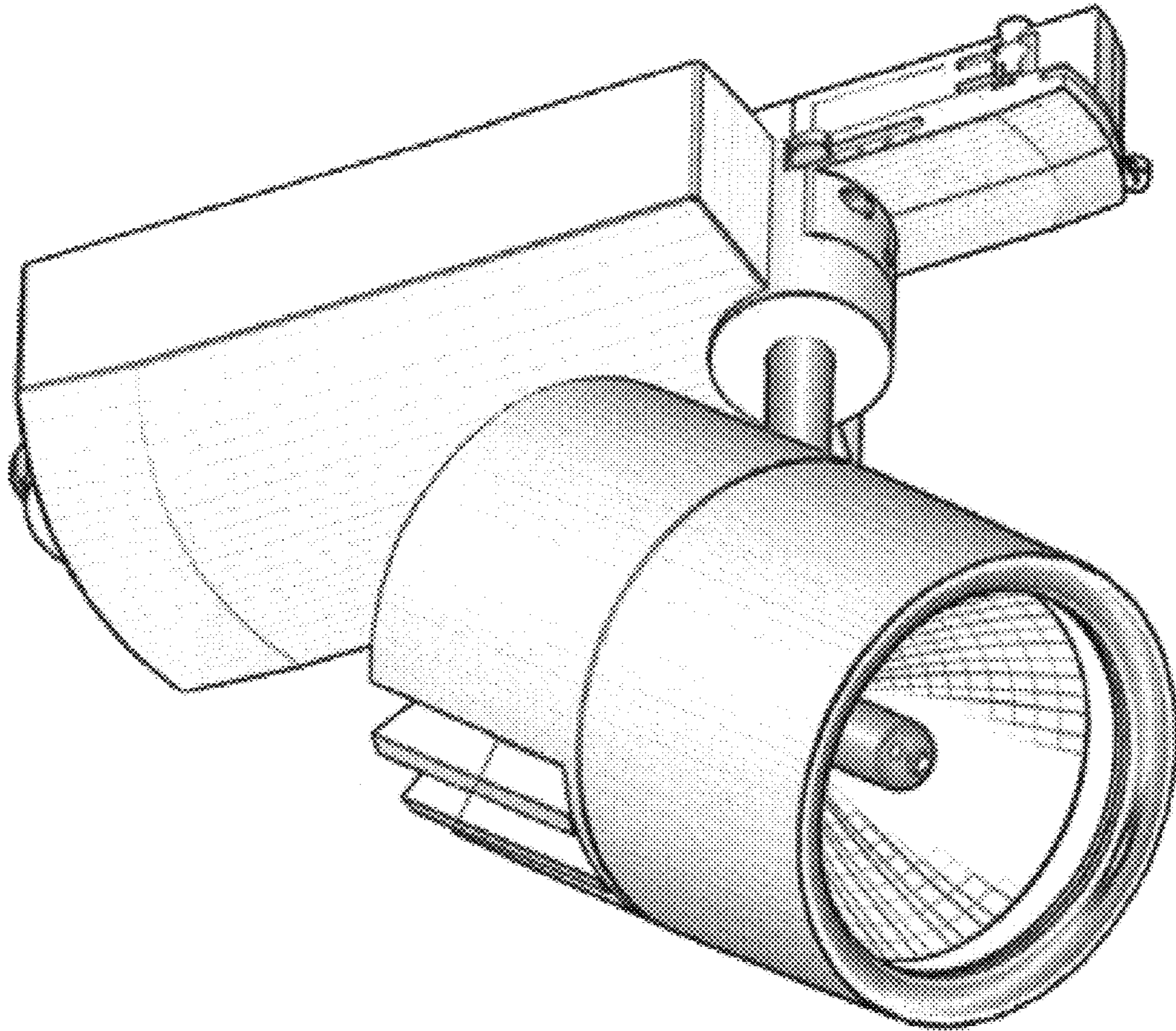


FIG. 1

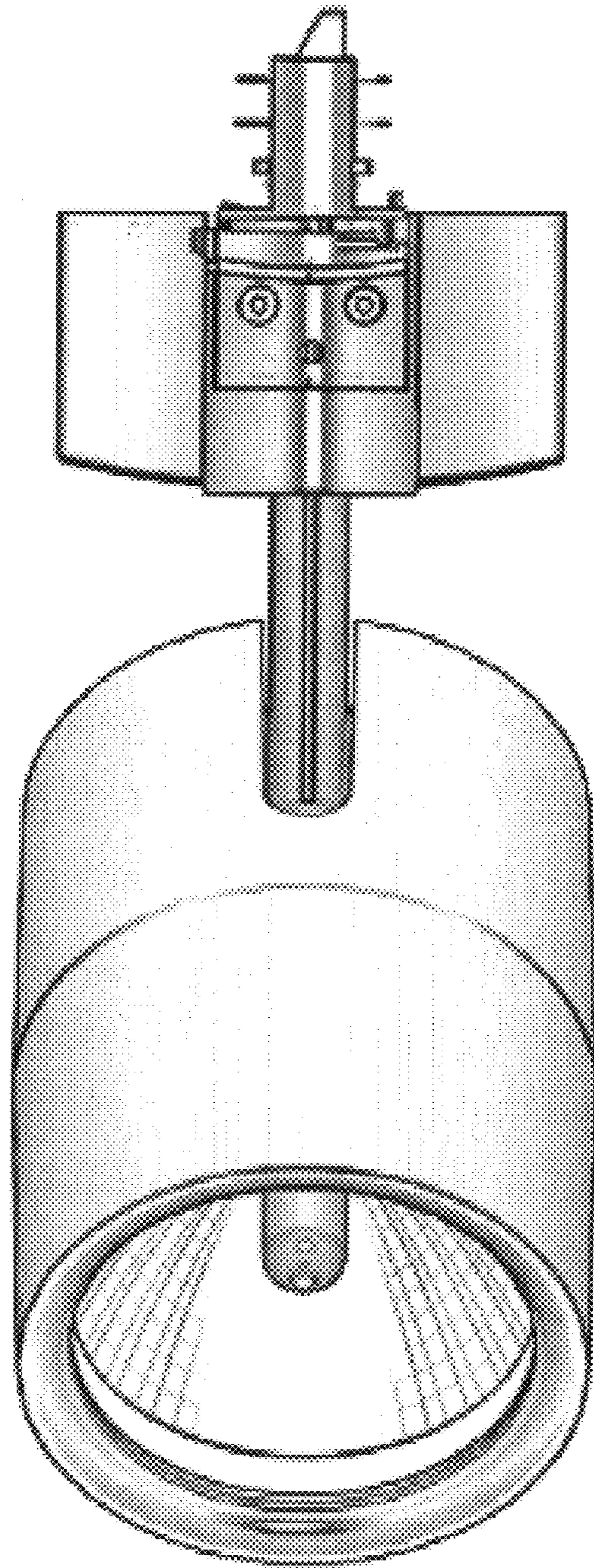


FIG. 2

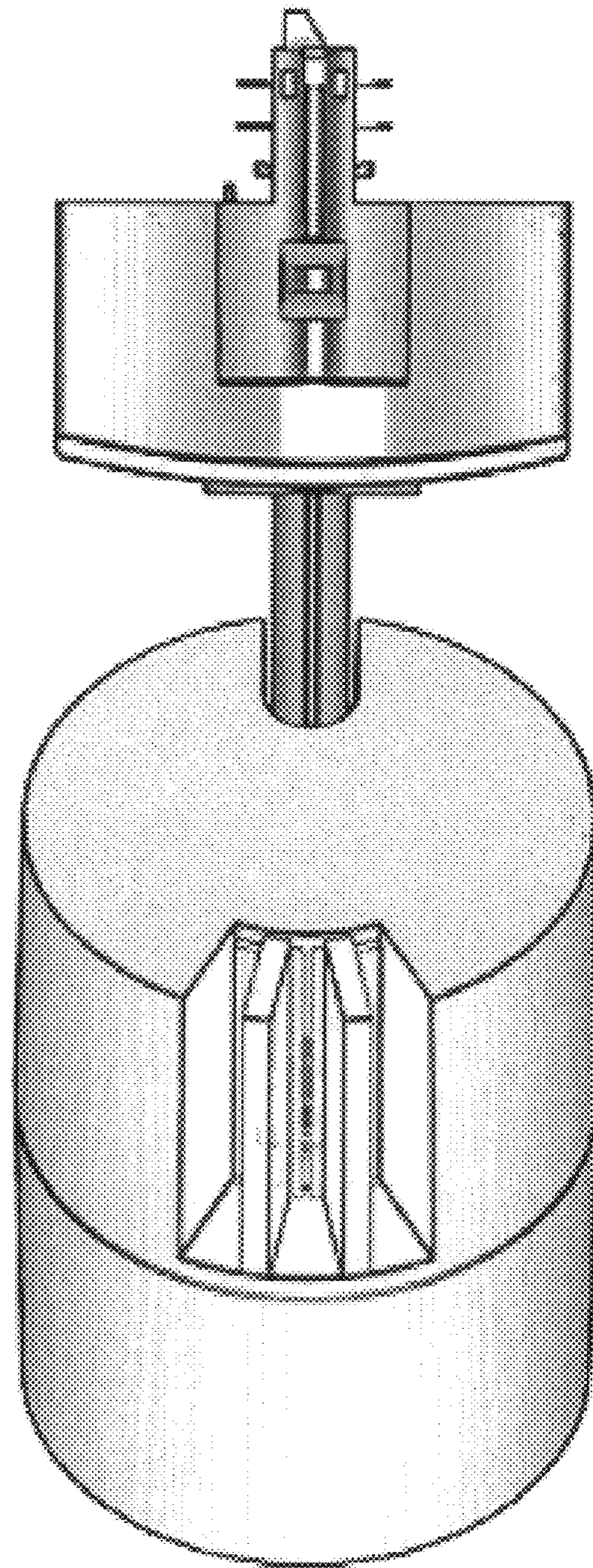


FIG. 3

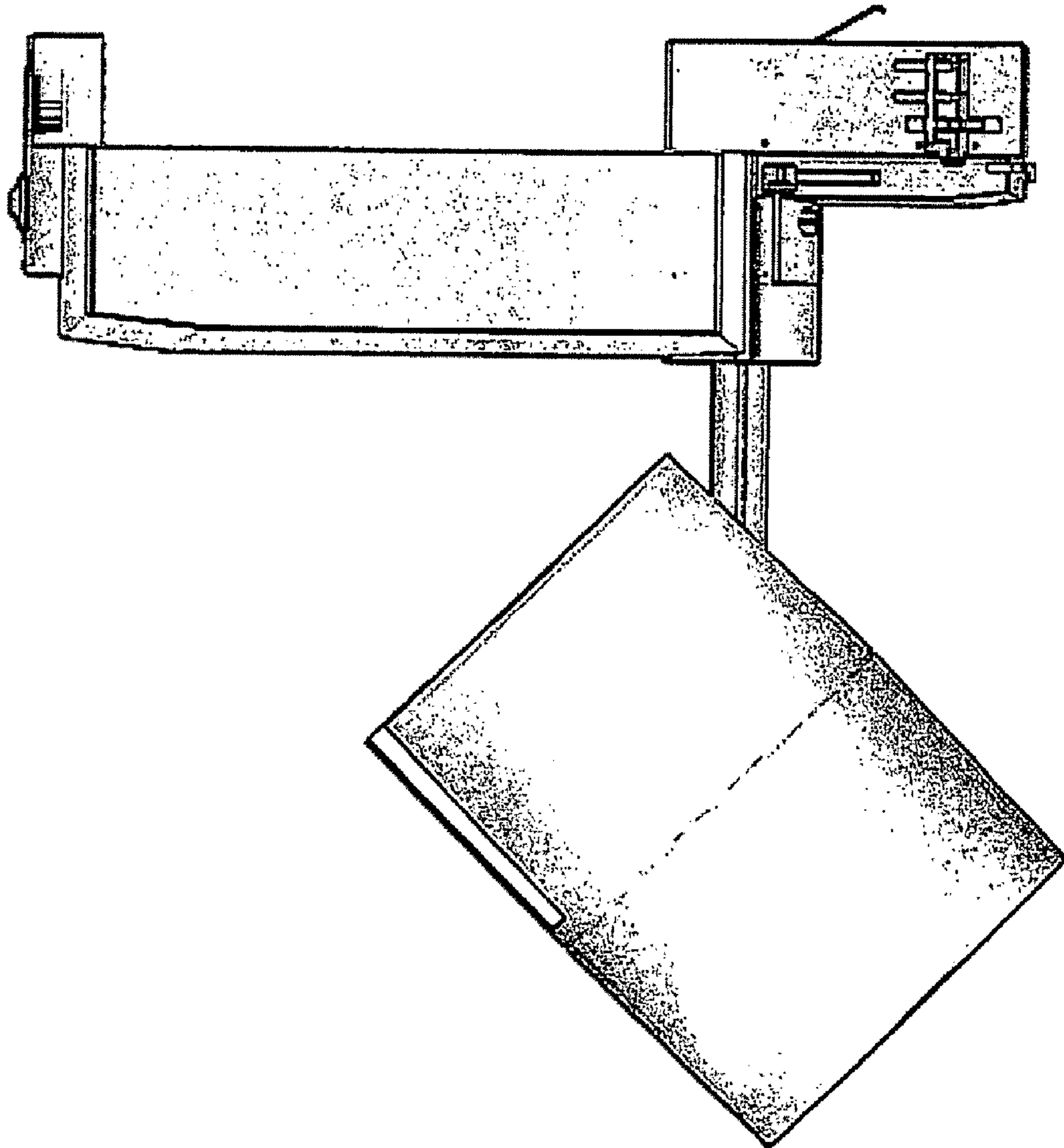


FIG. 4

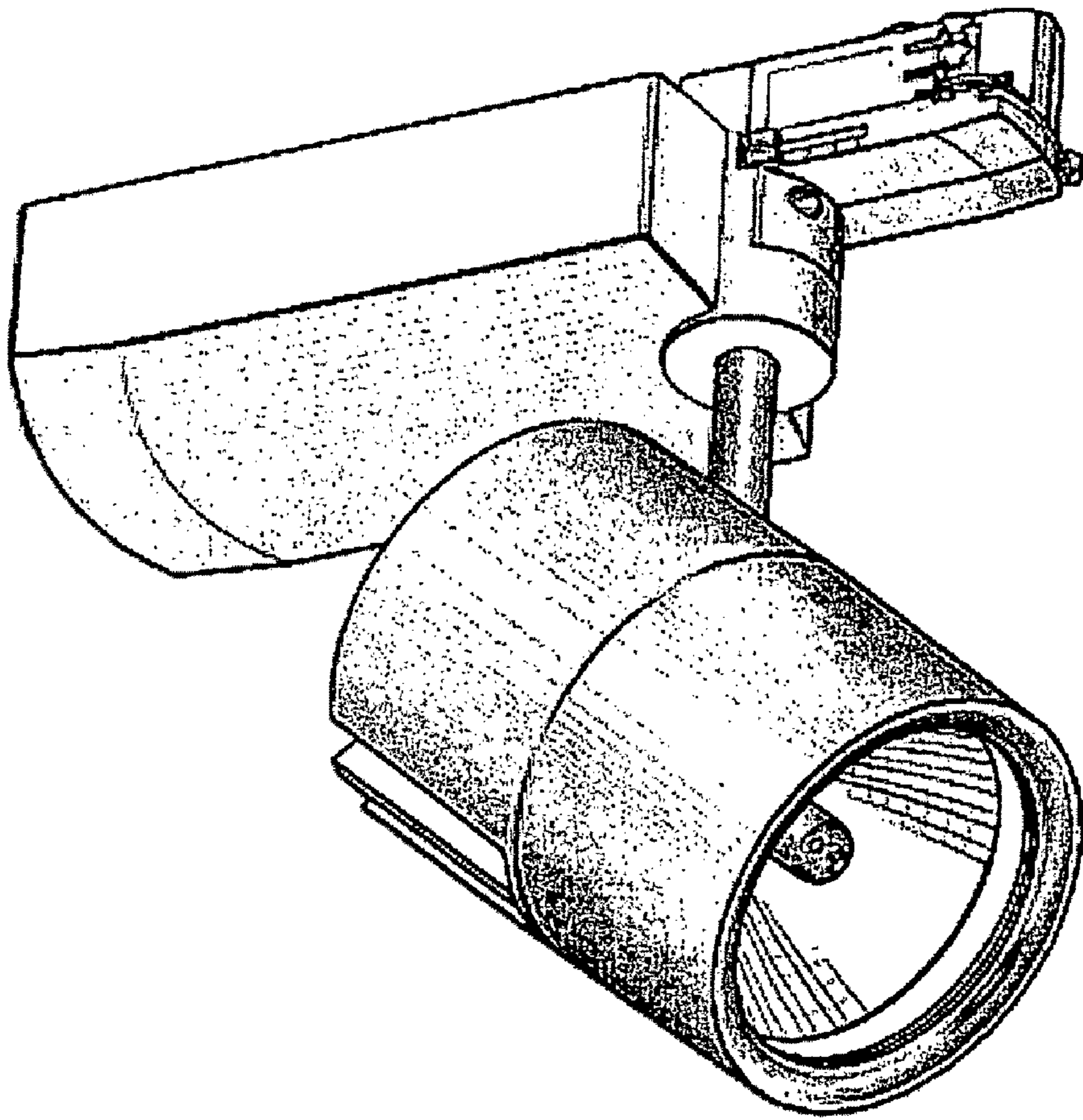


FIG. 5

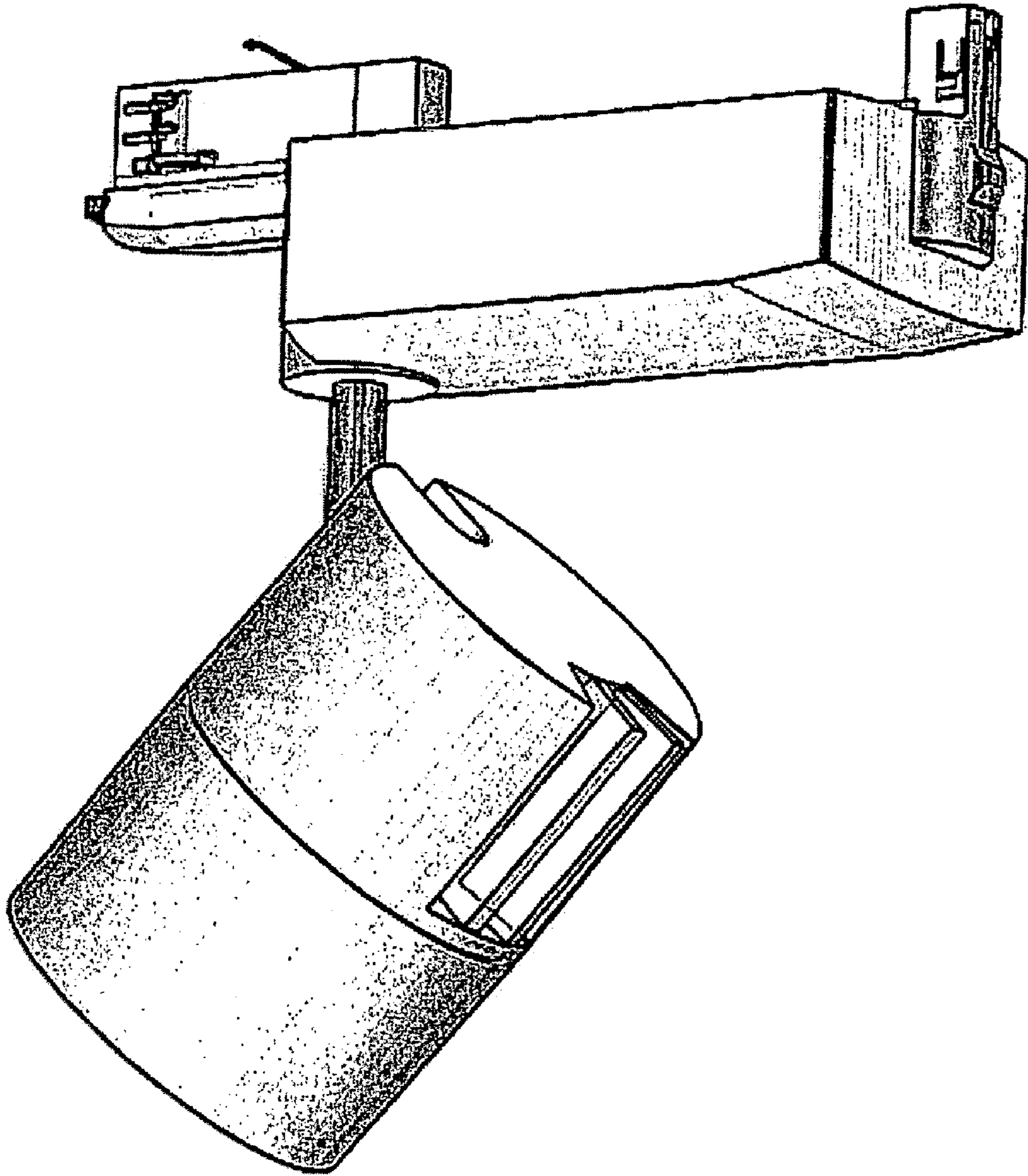


FIG. 6