



US00D566872S

(12) **United States Design Patent**  
**Michel**

(10) **Patent No.:** **US D566,872 S**  
(45) **Date of Patent:** **\*\* Apr. 15, 2008**

(54) **LAMP**

(75) Inventor: **Philippe Michel**, Hyeres (FR)

(73) Assignee: **Clen SA**, Saint-Benoit-la-Foret (FR)

(\*\*) Term: **14 Years**

(21) Appl. No.: **29/264,675**

(22) Filed: **Aug. 14, 2006**

(30) **Foreign Application Priority Data**

Feb. 16, 2006 (EM) ..... 000486071-0001

(51) **LOC (8) Cl.** ..... **26-05**

(52) **U.S. Cl.** ..... **D26/62**

(58) **Field of Classification Search** ..... D26/60-66,  
D26/107; 362/410-414, 418, 427, 269, 275,  
362/287, 419, 277, 282, 285, 371, 804  
See application file for complete search history.

(56) **References Cited**

**U.S. PATENT DOCUMENTS**

D250,854 S *	1/1979	Heinrich	.....	D26/65
D345,027 S *	3/1994	Huang	.....	D26/65
D351,920 S *	10/1994	Nagy et al.	.....	D26/65
D376,219 S *	12/1996	Heuel	.....	D26/62
D382,362 S *	8/1997	Huang	.....	D26/65
D408,568 S *	4/1999	Schaak	.....	D26/62

D418,240 S *	12/1999	Sherman	.....	D26/63
D428,179 S *	7/2000	Huang	.....	D26/65
D457,672 S *	5/2002	Tsai	.....	D26/62
D468,855 S *	1/2003	Gismondi	.....	D26/109
D478,682 S *	8/2003	Abry	.....	D26/65
D504,188 S *	4/2005	Chan	.....	D26/66

\* cited by examiner

*Primary Examiner*—Clare E Heflin

*Assistant Examiner*—Barbara Fox

(57) **CLAIM**

The ornamental design for lamp, as shown and described.

**DESCRIPTION**

FIG. 1 is a right side perspective view of the lamp, the opposite side being a mirror image;

FIG. 2 is a top perspective view thereof,

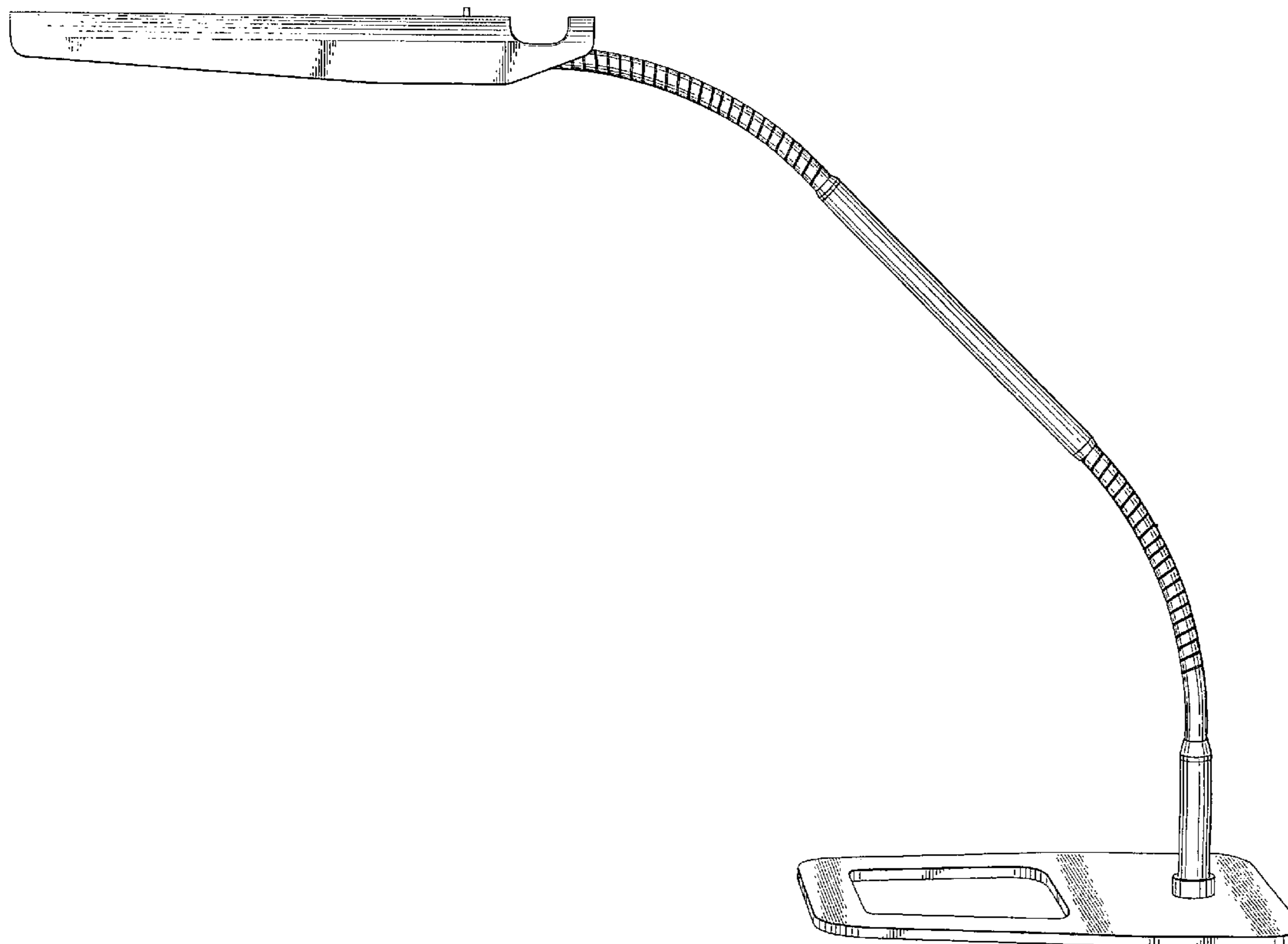
FIG. 3 is an enlarged fragmentary side perspective view of the top portion of the new design, the base being omitted for illustrative purposes only;

FIG. 4 is an enlarged fragmentary side elevation thereof; and,

FIG. 5 is an enlarged fragmentary top plan view thereof.

The broken lines shown on the drawings form no part of the claimed design.

**1 Claim, 5 Drawing Sheets**



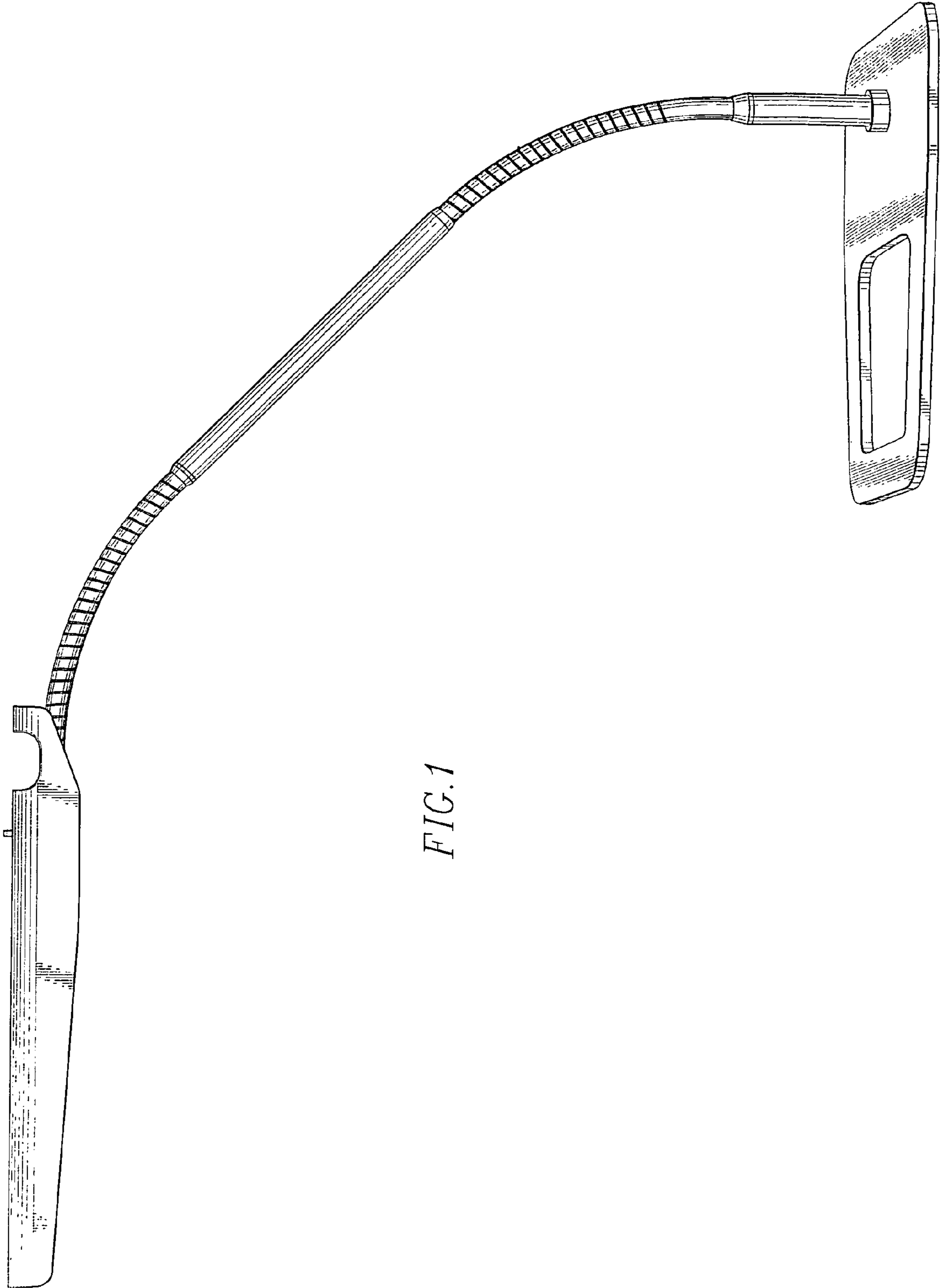


FIG. 1

FIG. 2

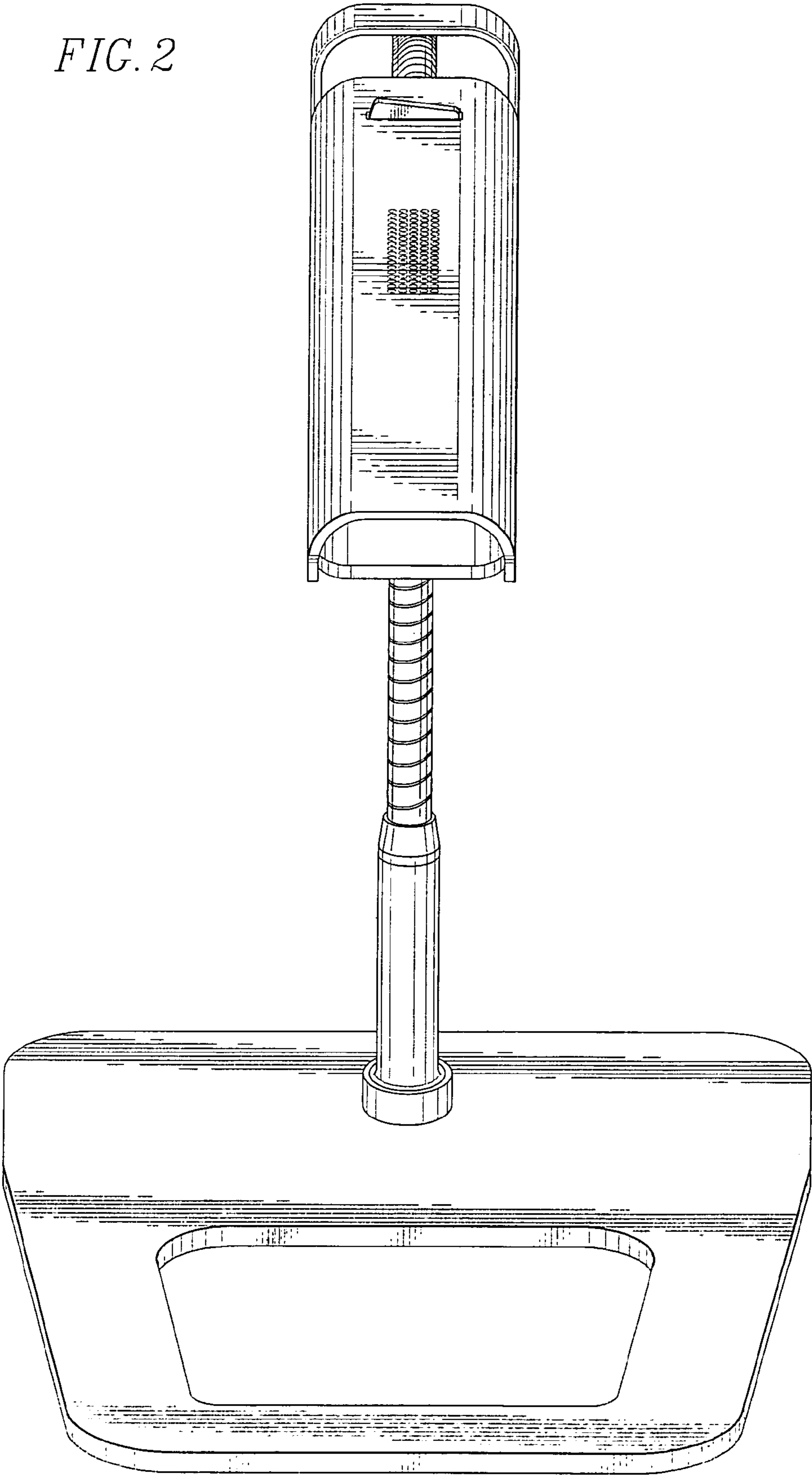


FIG. 3

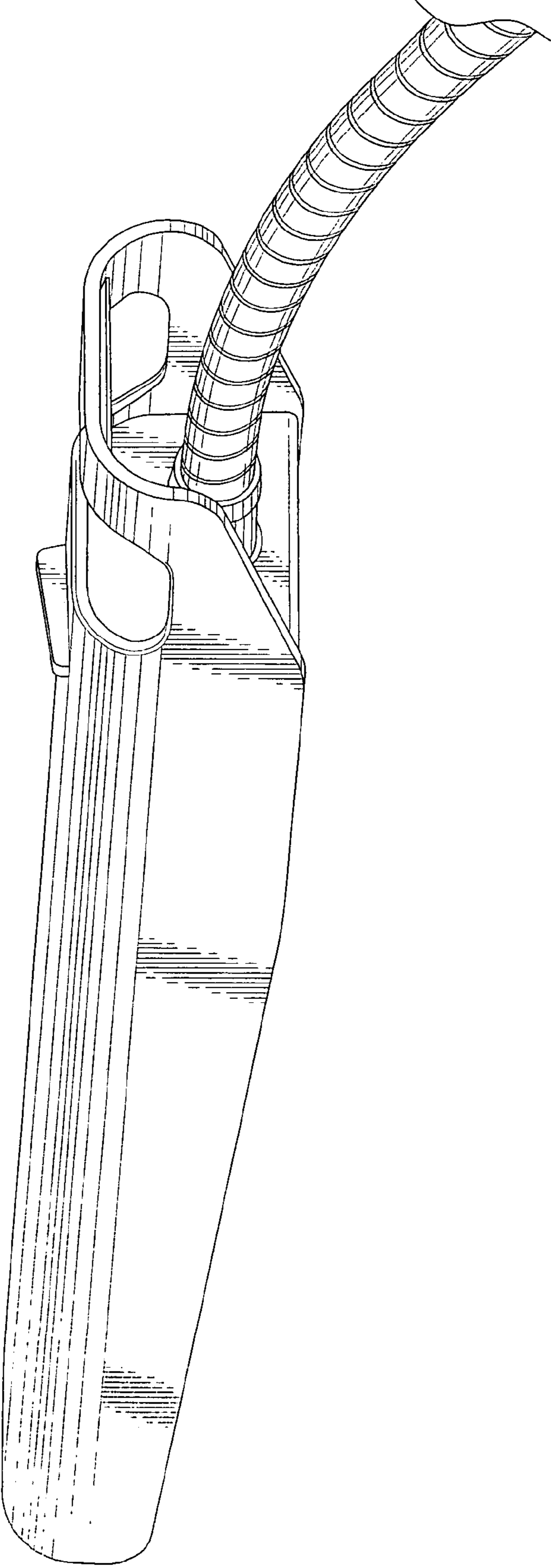
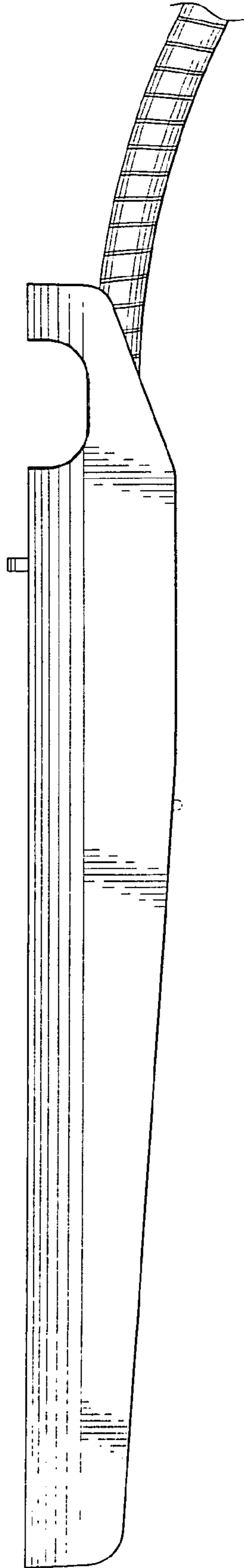


FIG. 4



*FIG. 5*

