

US00D566870S

(12) **United States Design Patent**
Yuen

(10) **Patent No.:** **US D566,870 S**

(45) **Date of Patent:** **** Apr. 15, 2008**

(54) **SOLAR RECHARGEABLE LED SPOTLIGHT**

D548,866 S * 8/2007 Yuen D26/46

(76) Inventor: **Se Kit Yuen**, 6/F, Yau Lee Centre, 45
Hoi Yuen Road, Kwun Tong, Kowloon
(HK)

* cited by examiner

Primary Examiner—Marcus A. Jackson
(74) *Attorney, Agent, or Firm*—Akerman Senterfitt; Mark D.
Passler

(**) Term: **14 Years**

(21) Appl. No.: **29/284,377**

(22) Filed: **Sep. 6, 2007**

(51) **LOC (8) Cl.** **26-02**

(52) **U.S. Cl.** **D26/48**

(58) **Field of Classification Search** D26/37-50;
362/157, 158, 171-174, 183-208

See application file for complete search history.

(56) **References Cited**

U.S. PATENT DOCUMENTS

D520,165 S	*	5/2006	Yuen	D26/46
D529,650 S	*	10/2006	Yuen	D26/46
D531,336 S	*	10/2006	Yuen	D26/46
D532,916 S	*	11/2006	Yuen	D26/46
D533,673 S	*	12/2006	Yuen	D26/46

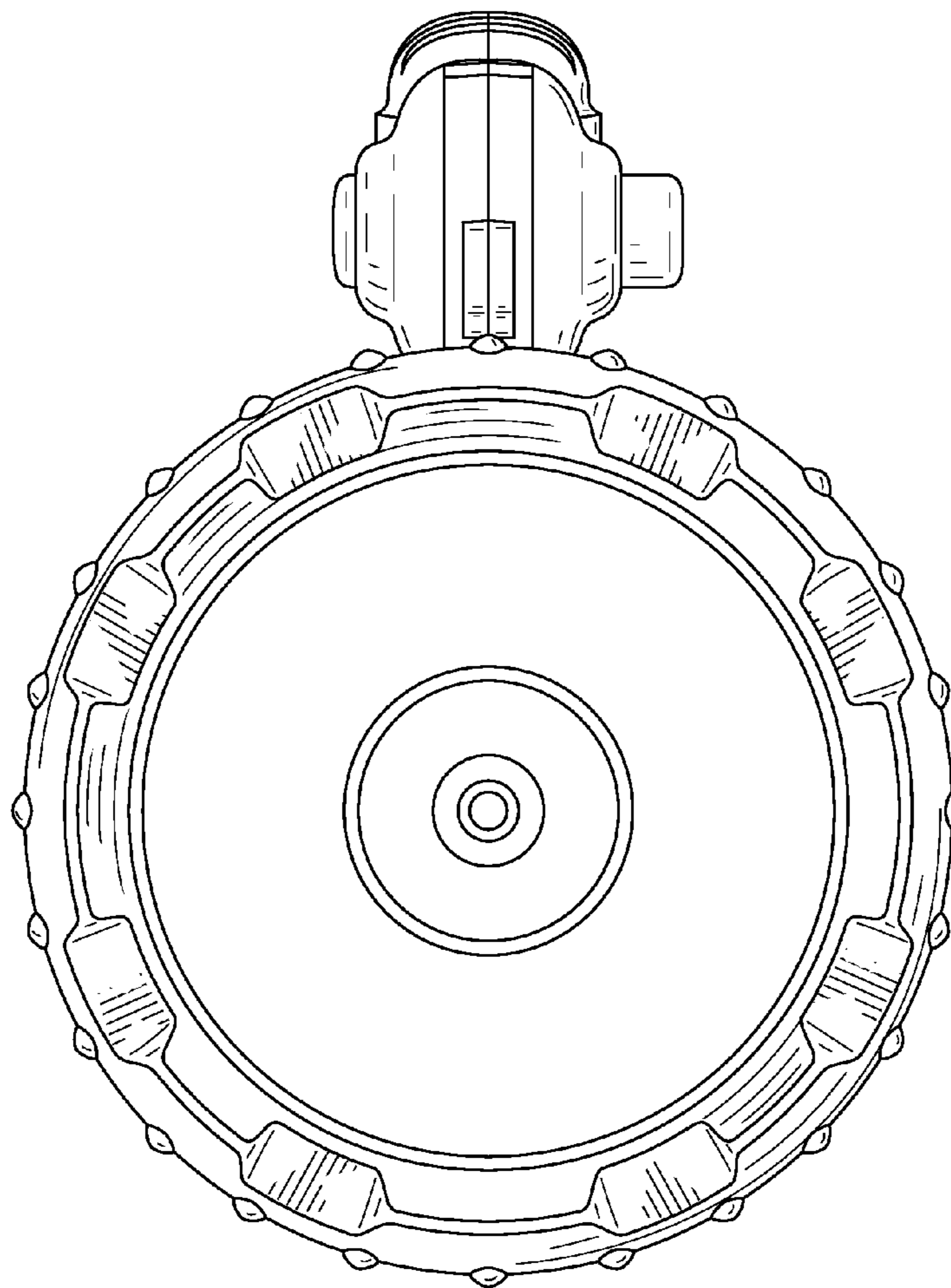
(57) **CLAIM**

The ornamental design for a solar rechargeable LED spot-
light, as shown and described.

DESCRIPTION

FIG. 1 is a front view of a solar rechargeable LED spotlight;
FIG. 2 is a rear view thereof;
FIG. 3 is a left side view thereof;
FIG. 4 is a right side view thereof;
FIG. 5 is a top view thereof;
FIG. 6 is a bottom view thereof;
FIG. 7 is a front perspective view thereof; and,
FIG. 8 is a rear perspective view thereof.

1 Claim, 8 Drawing Sheets



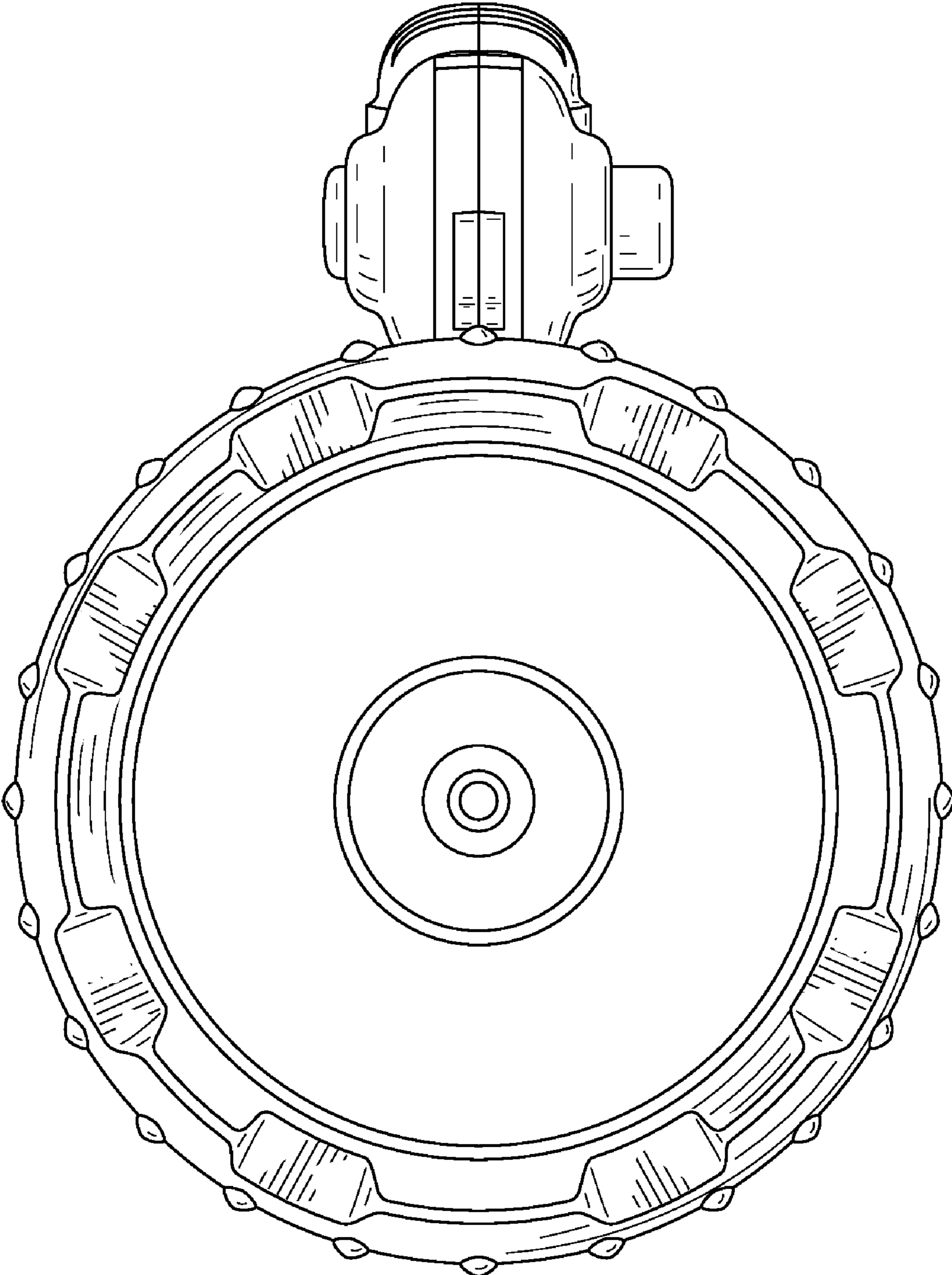


FIG. 1

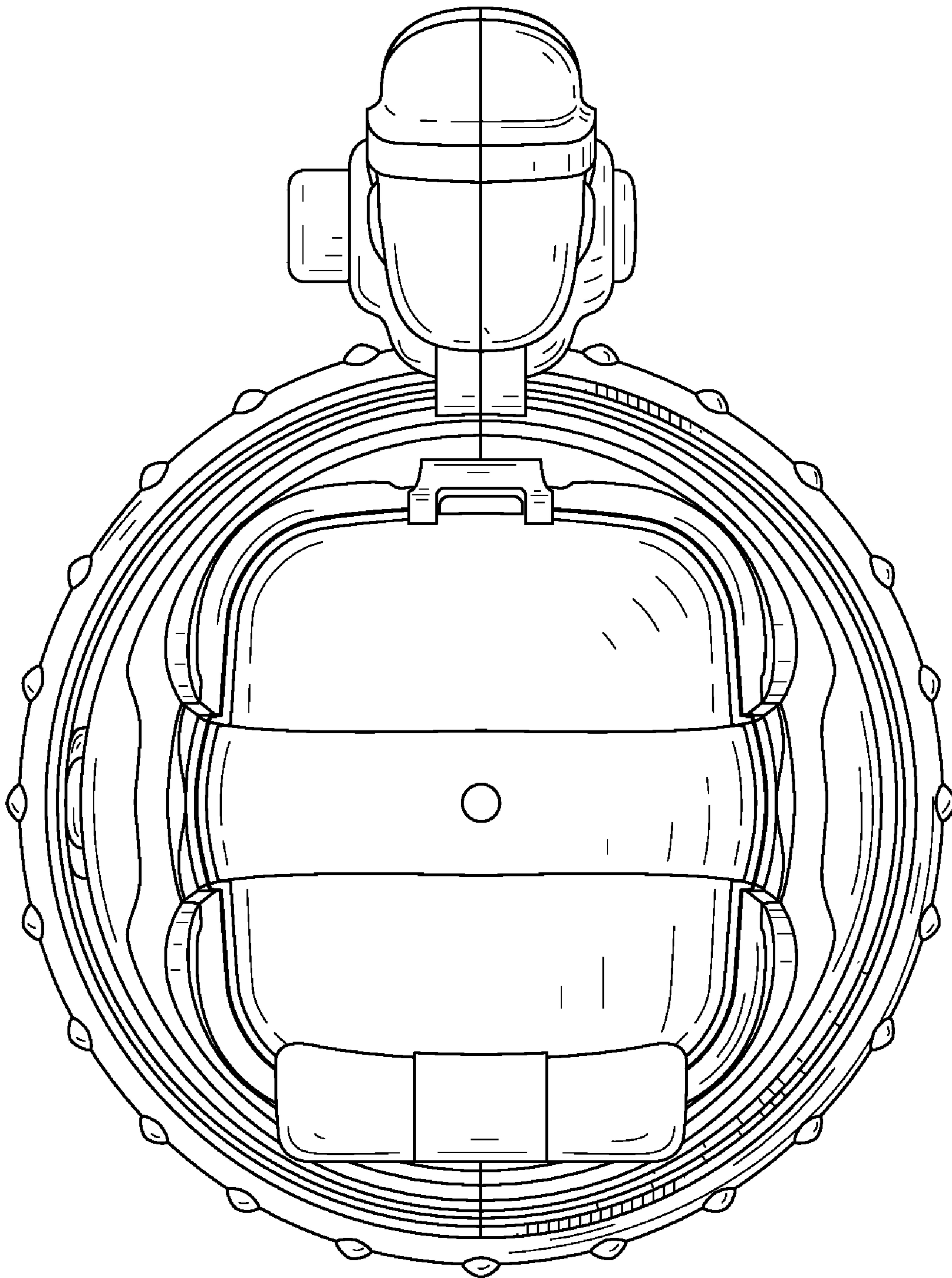


FIG. 2

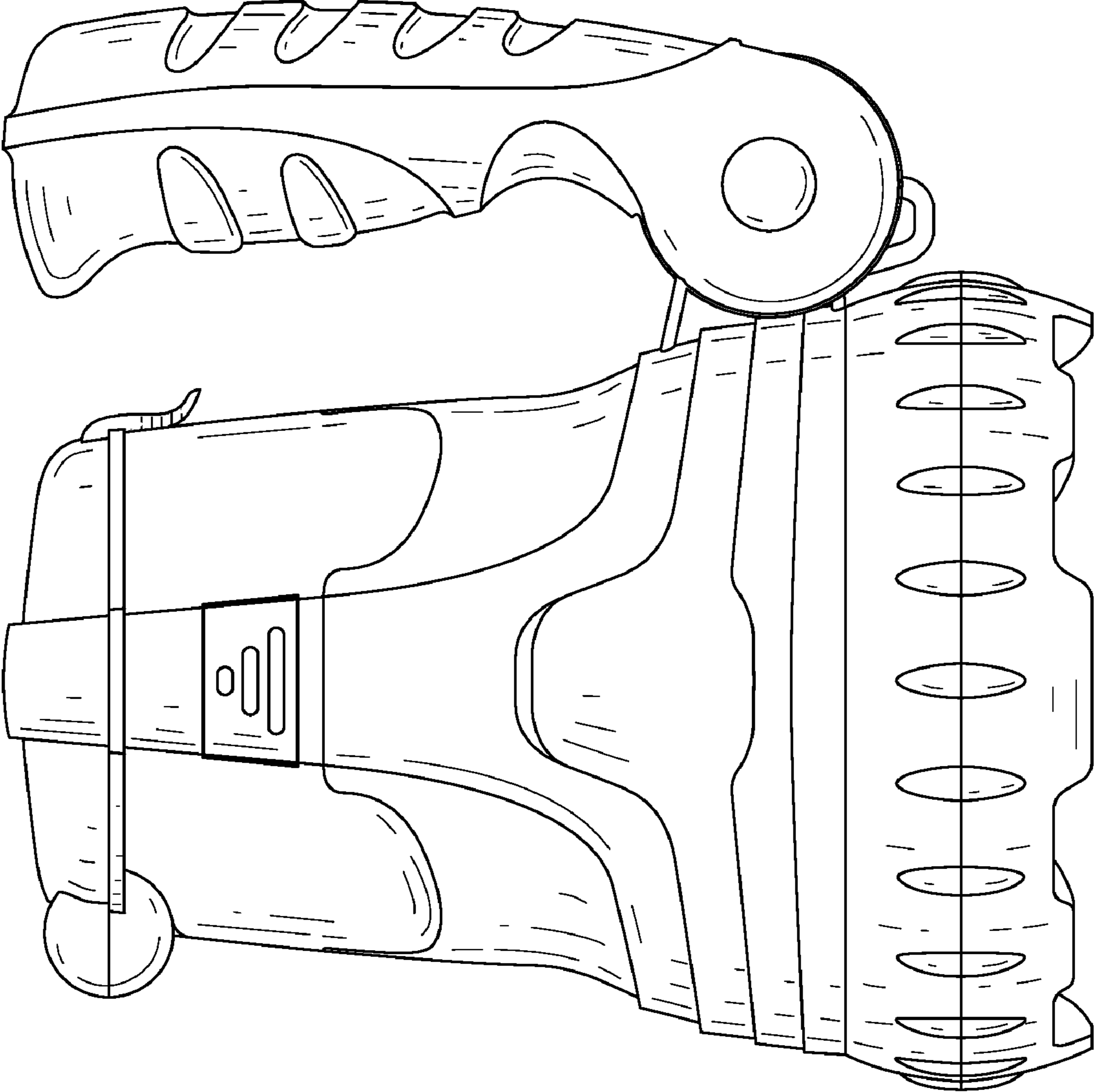


FIG. 3

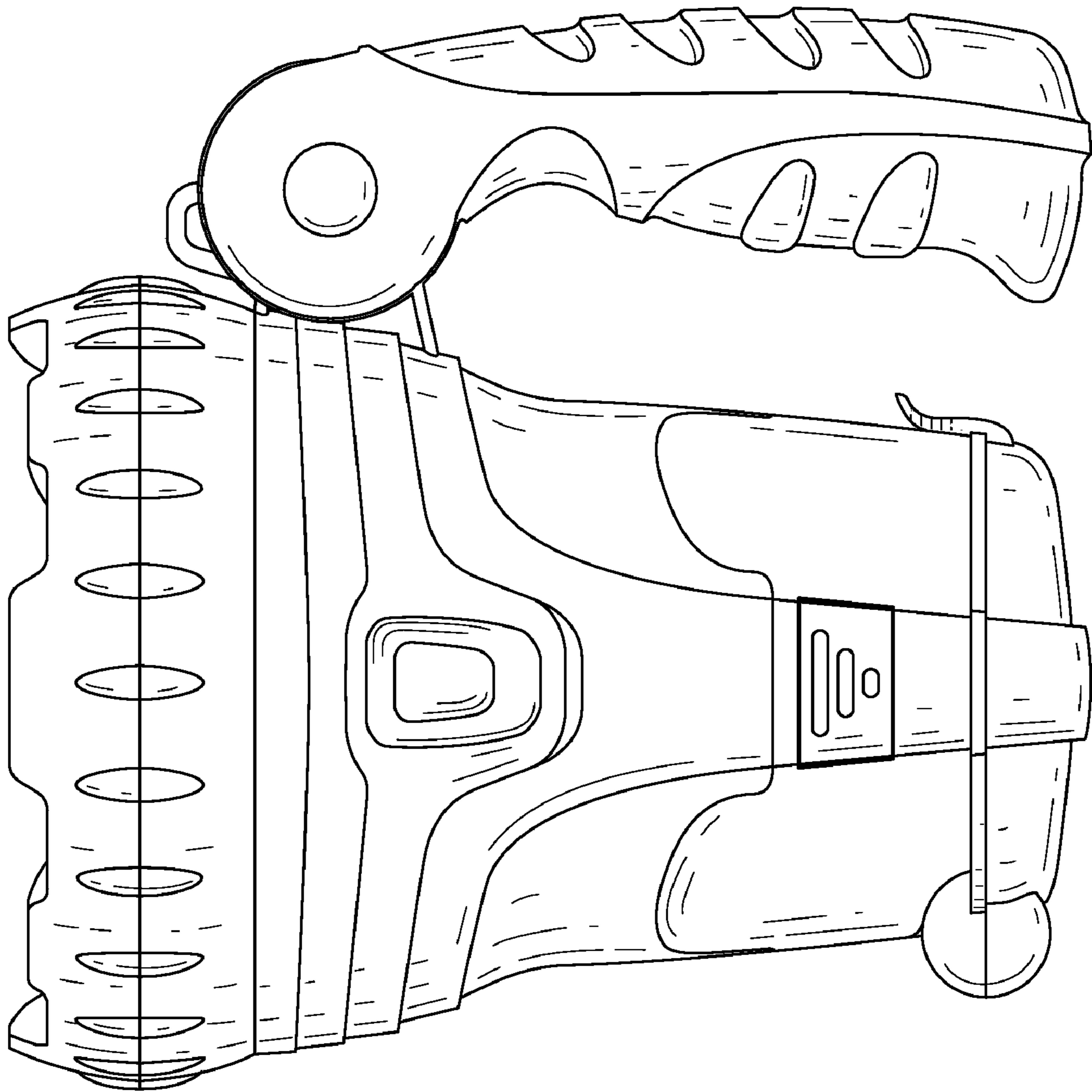


FIG. 4

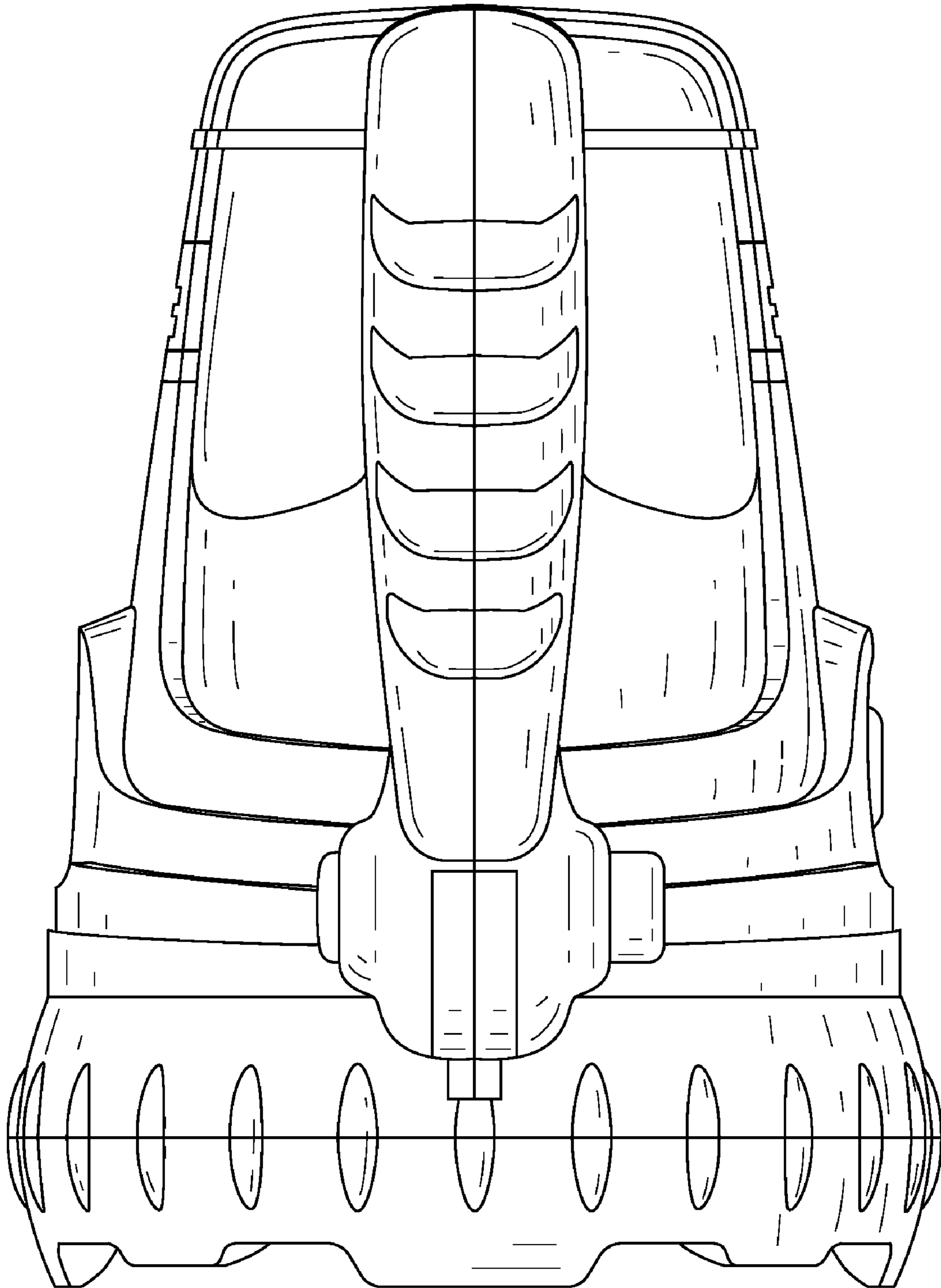


FIG. 5

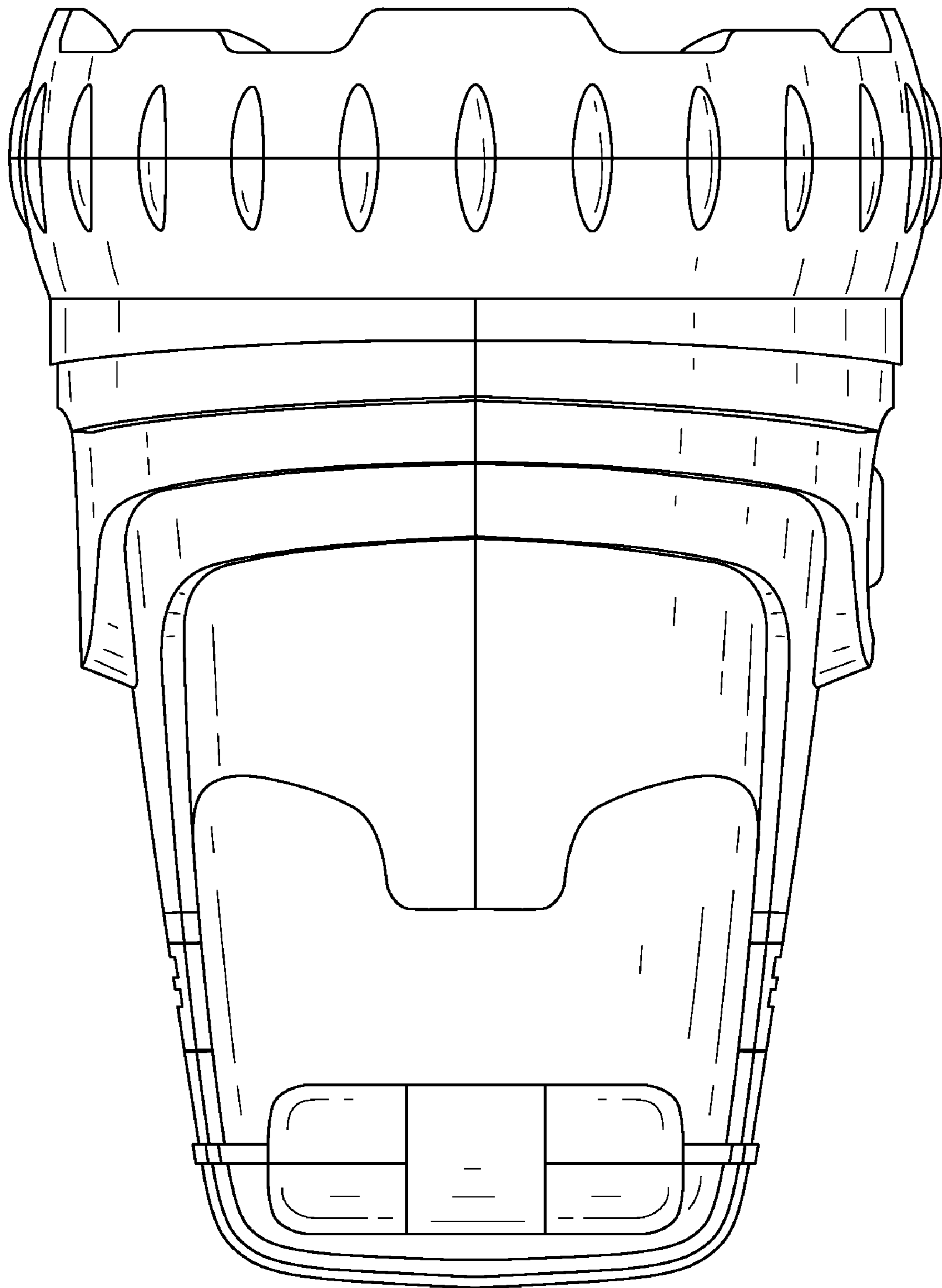


FIG. 6

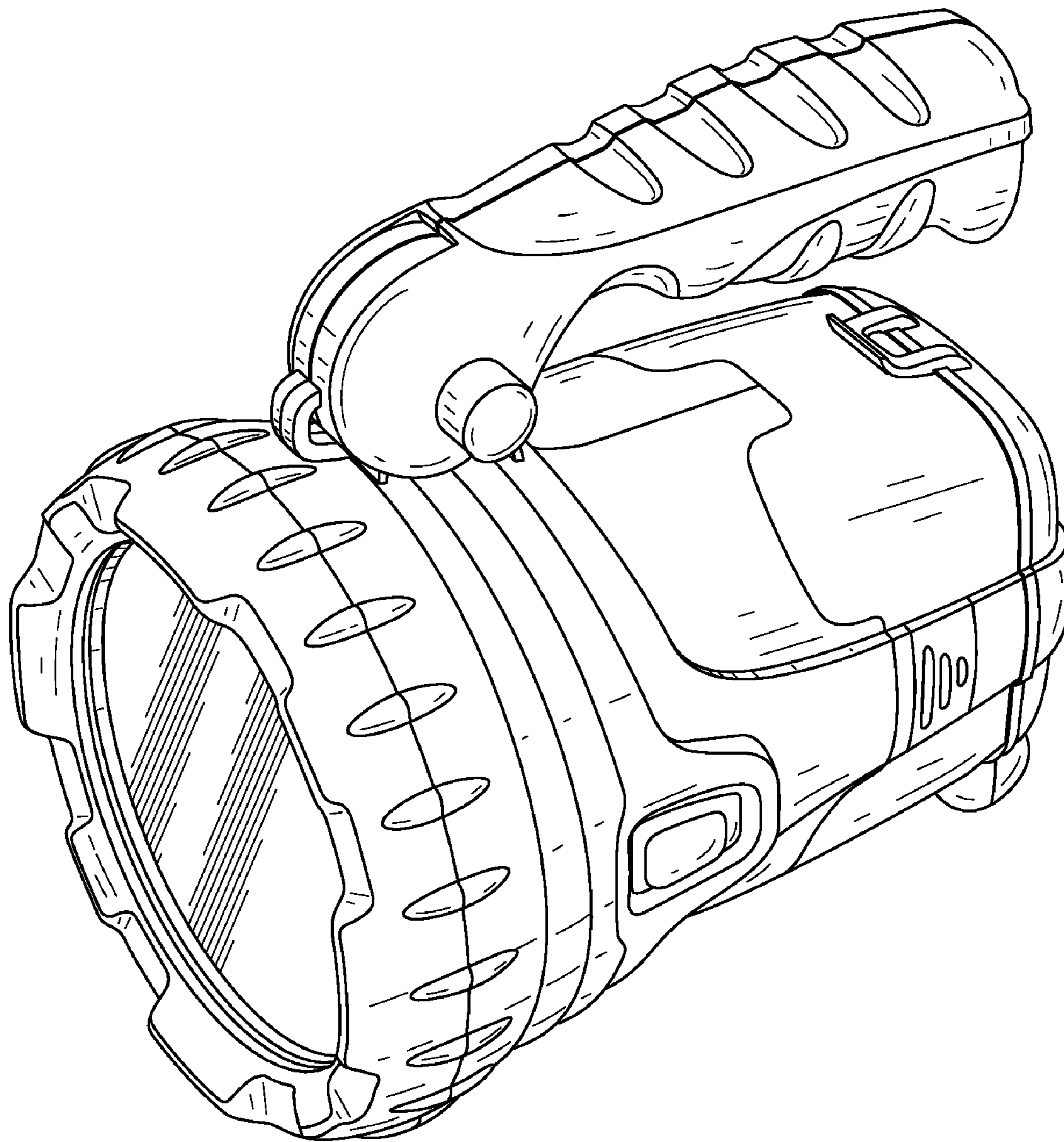


FIG. 7

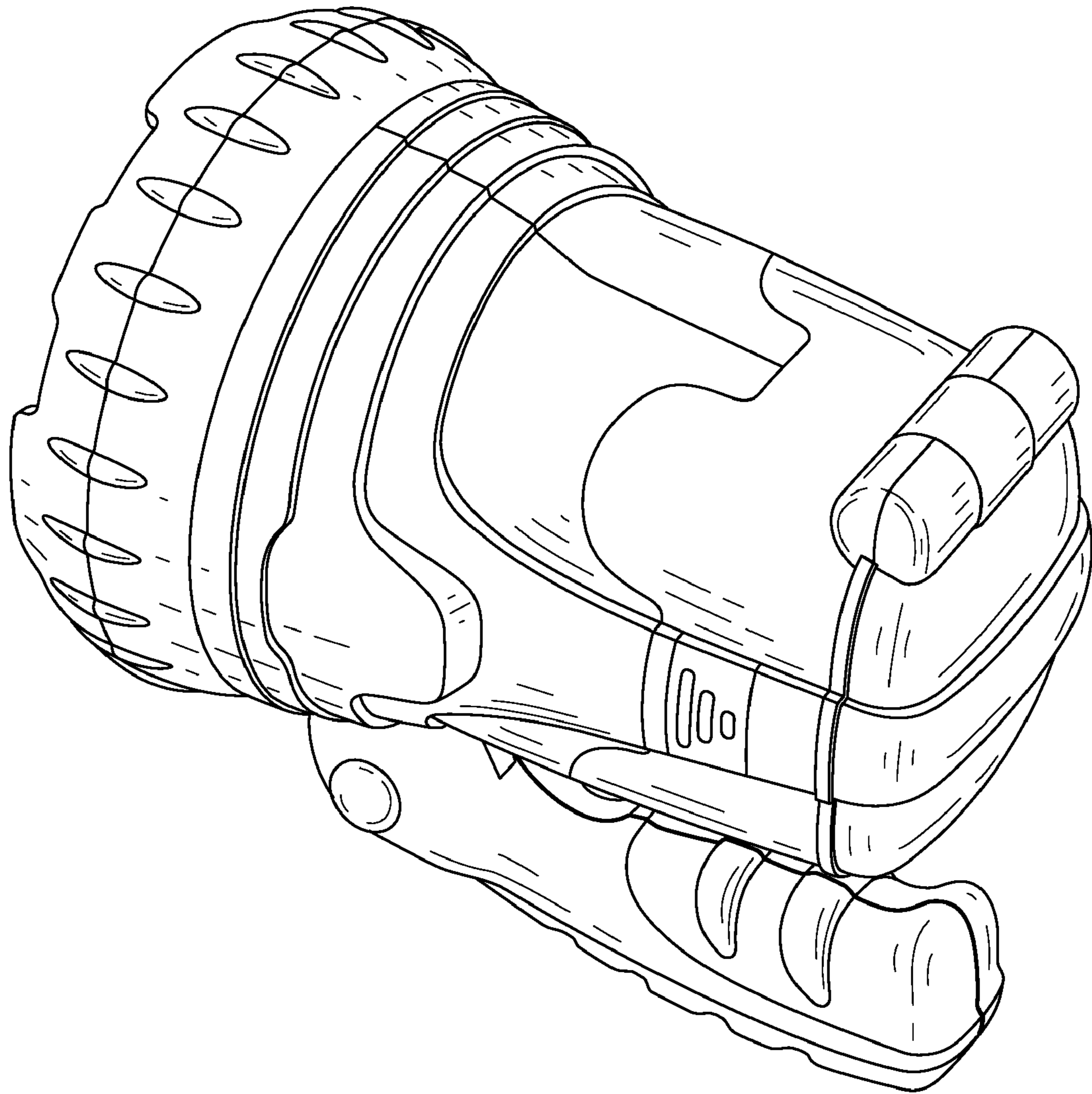


FIG. 8