



US00D566869S

(12) **United States Design Patent**  
**Lin**

(10) **Patent No.:** **US D566,869 S**

(45) **Date of Patent:** **\*\* Apr. 15, 2008**

(54) **HEADLIGHT REFLECTOR**

(76) **Inventor:** **Benny Lin**, Building B, No. 30, Lane 9, Sec. 2, Jhongsing Rd., Wugu Hsiang, Taipei Hsien (TW)

(\*\*) **Term:** **14 Years**

(21) **Appl. No.:** **29/296,701**

(22) **Filed:** **Oct. 25, 2007**

(51) **LOC (8) Cl.** ..... **26-06**

(52) **U.S. Cl.** ..... **D26/28**

(58) **Field of Classification Search** ..... D26/28-36,  
D26/139; 362/61, 80, 81, 82, 83, 267, 275,  
362/459-468, 475-478, 485-487  
See application file for complete search history.

(56) **References Cited**

**U.S. PATENT DOCUMENTS**

D530,840 S	*	10/2006	Lin	.....	D26/28
D532,130 S	*	11/2006	Yeh	.....	D26/28
D551,364 S	*	9/2007	Hoffman	.....	D26/28

\* cited by examiner

*Primary Examiner*—Marcus A. Jackson

(74) *Attorney, Agent, or Firm*—Kolisch Hartwell, P.C.

(57) **CLAIM**

The ornamental design for a headlight reflector, as shown.

**DESCRIPTION**

FIG. 1 is a perspective view of a headlight reflector showing my new design,

FIG. 2 is a front view thereof;

FIG. 3 is a rear view thereof;

FIG. 4 is a left view thereof;

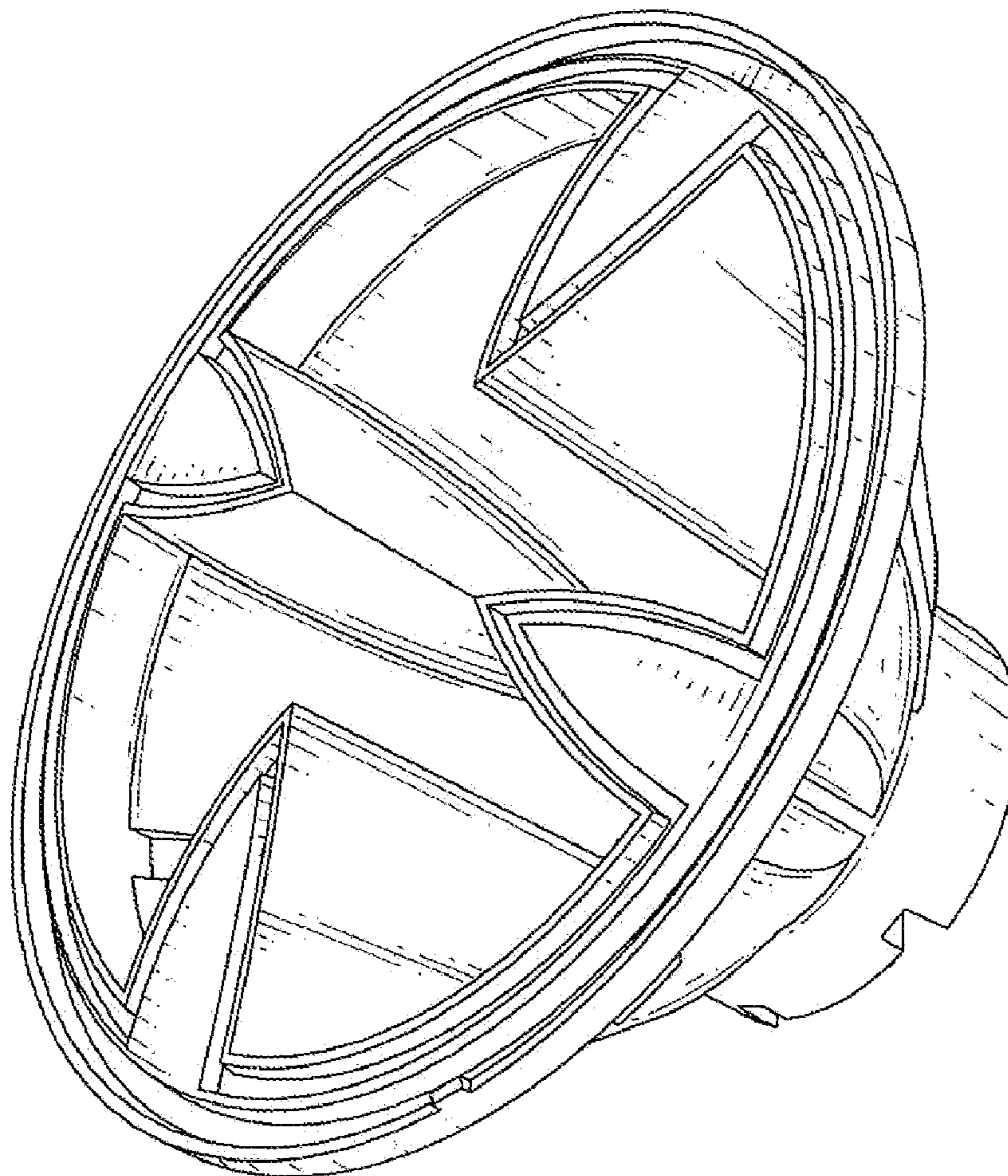
FIG. 5 is a right view thereof;

FIG. 6 is top view thereof;

FIG. 7 is a bottom view thereof; and,

FIG. 8 is another perspective view thereof.

**1 Claim, 6 Drawing Sheets**



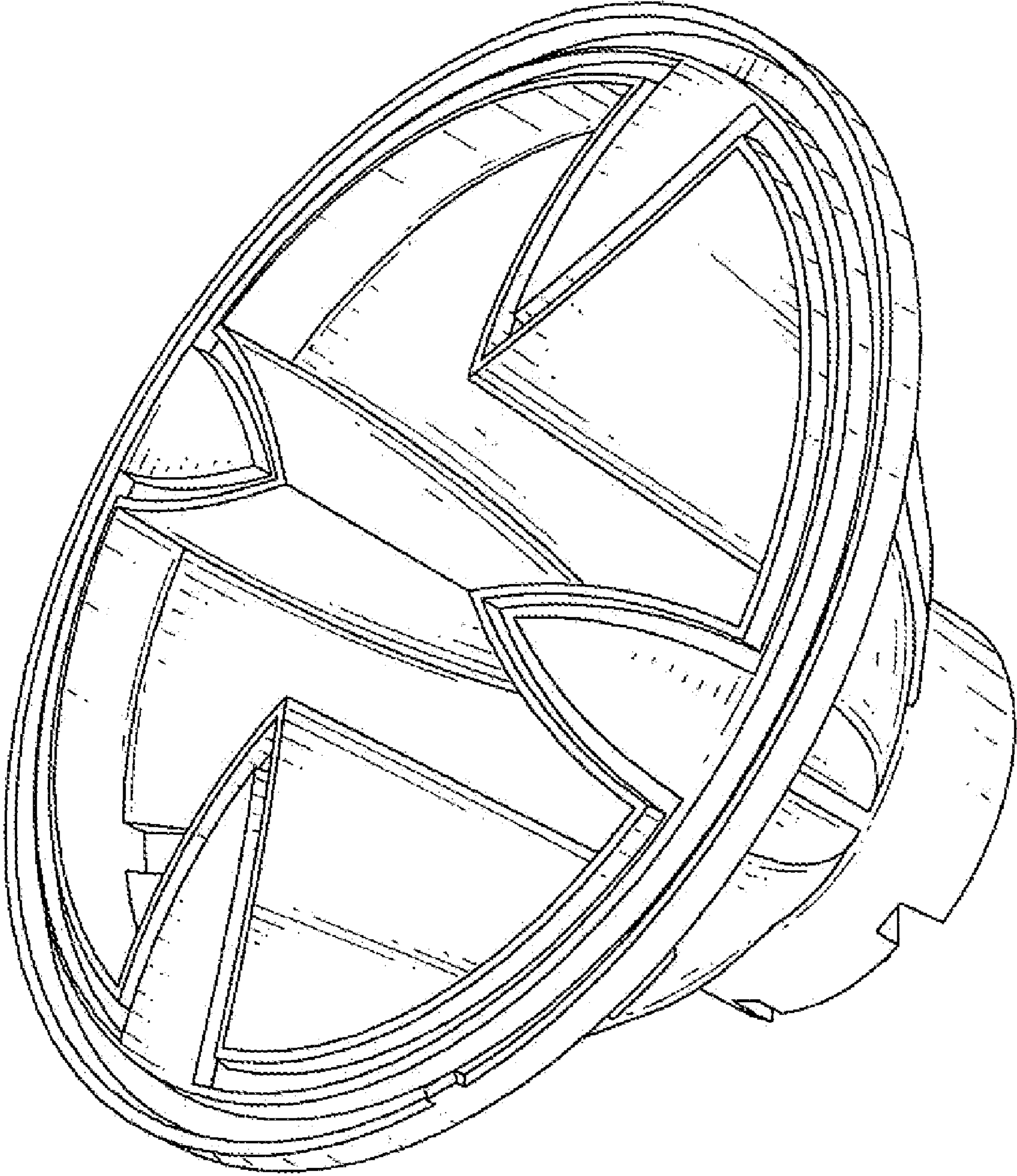


FIG. 1

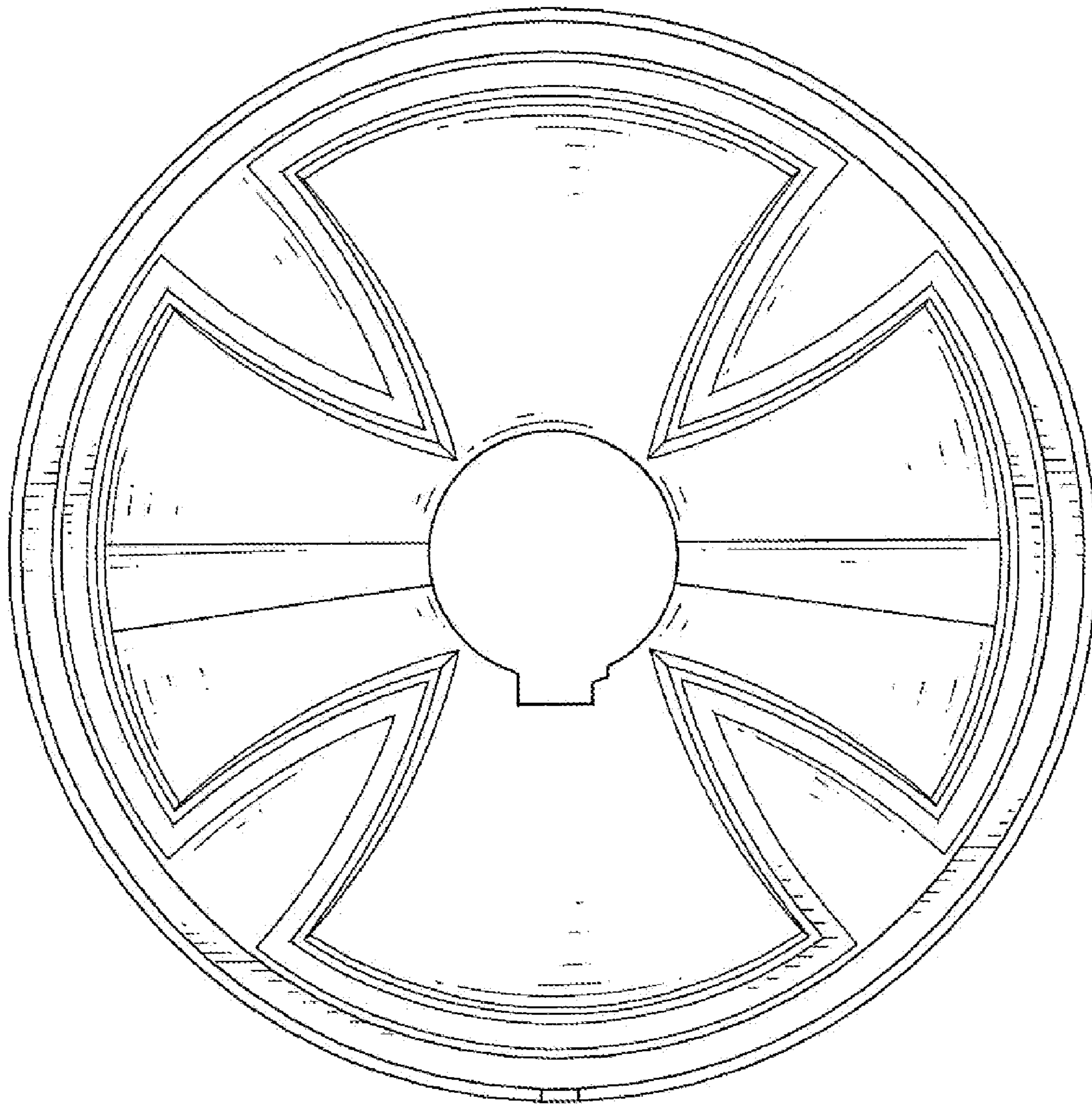


FIG. 2

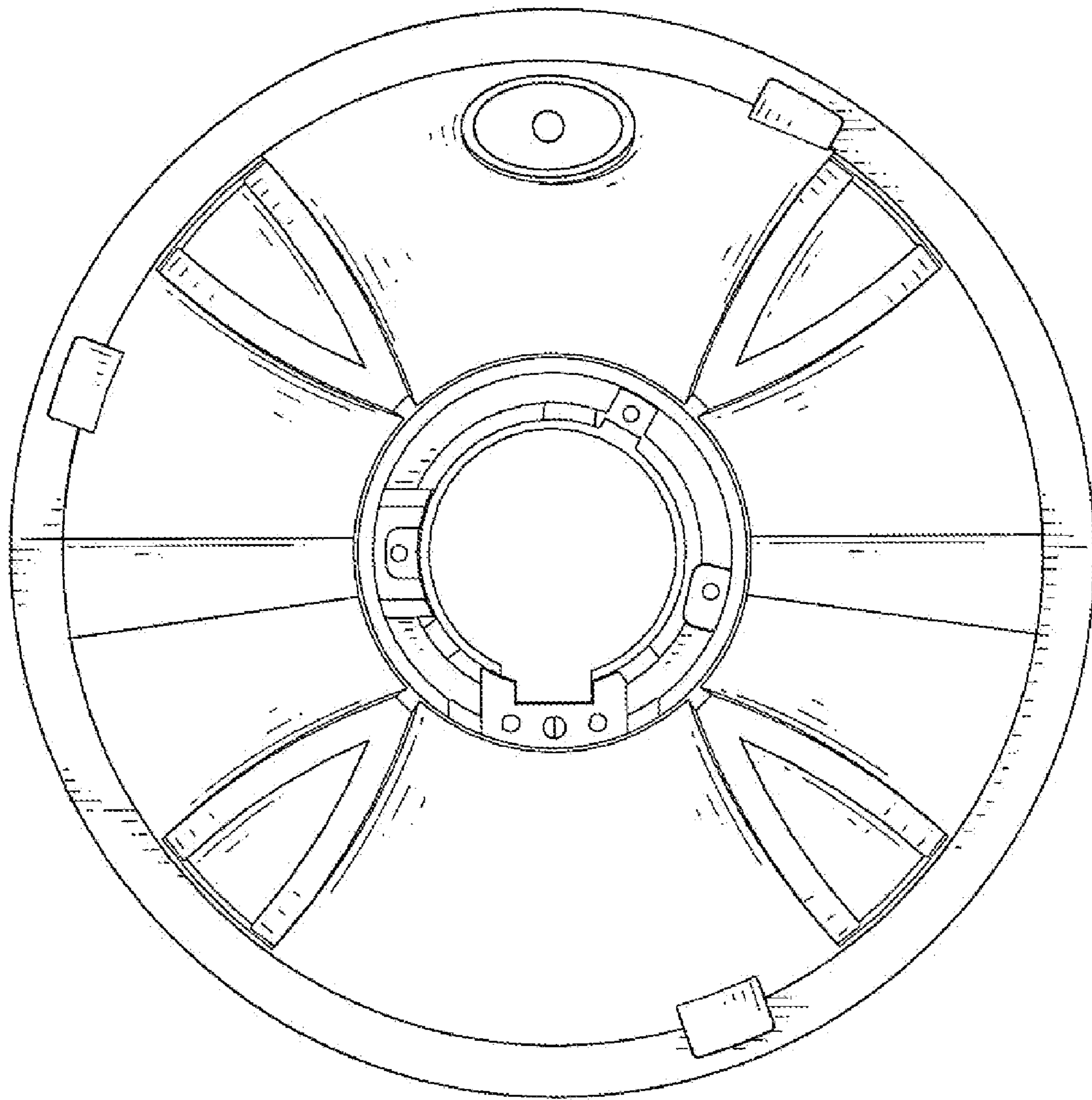


FIG.3

FIG.4

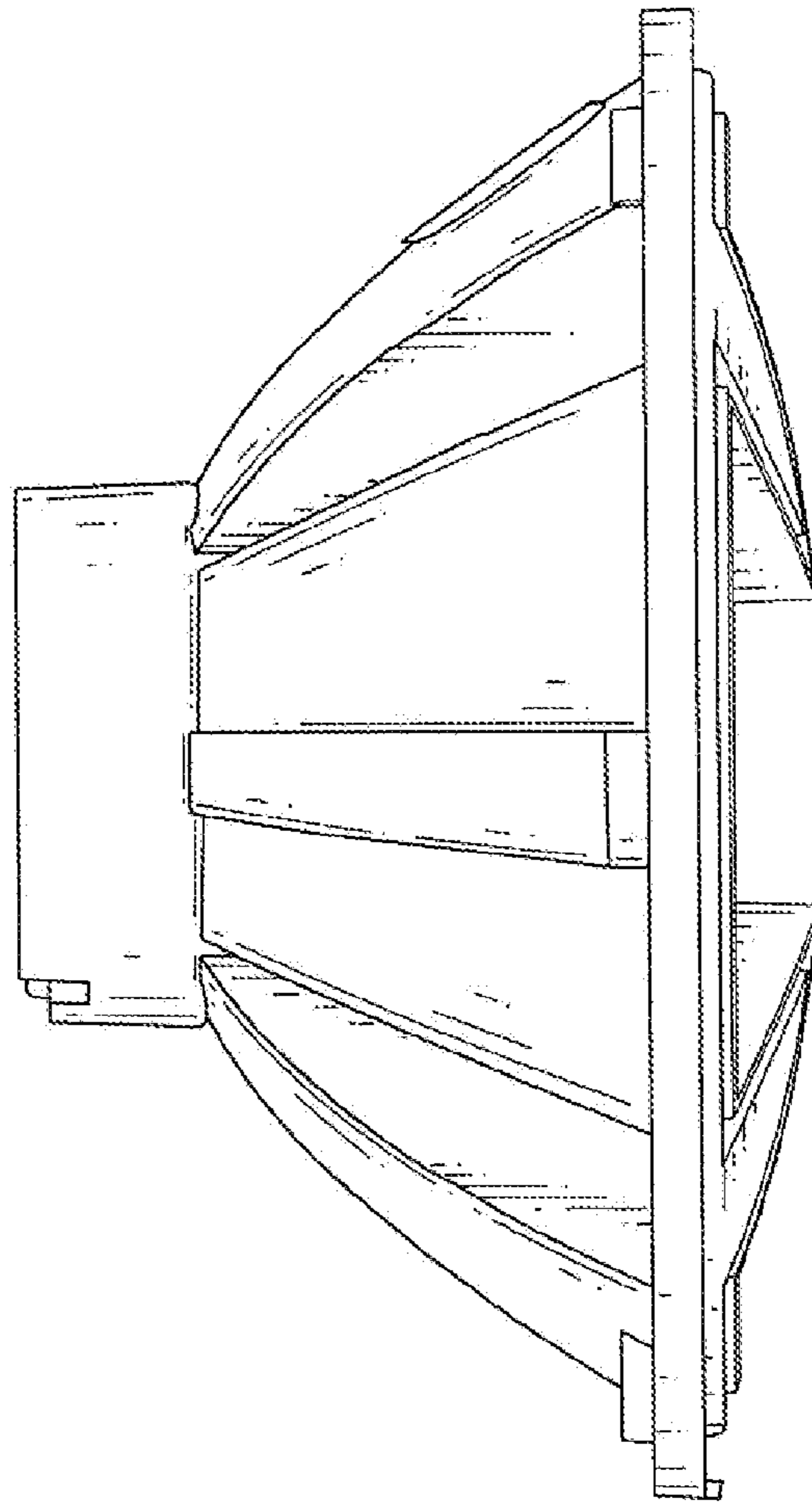
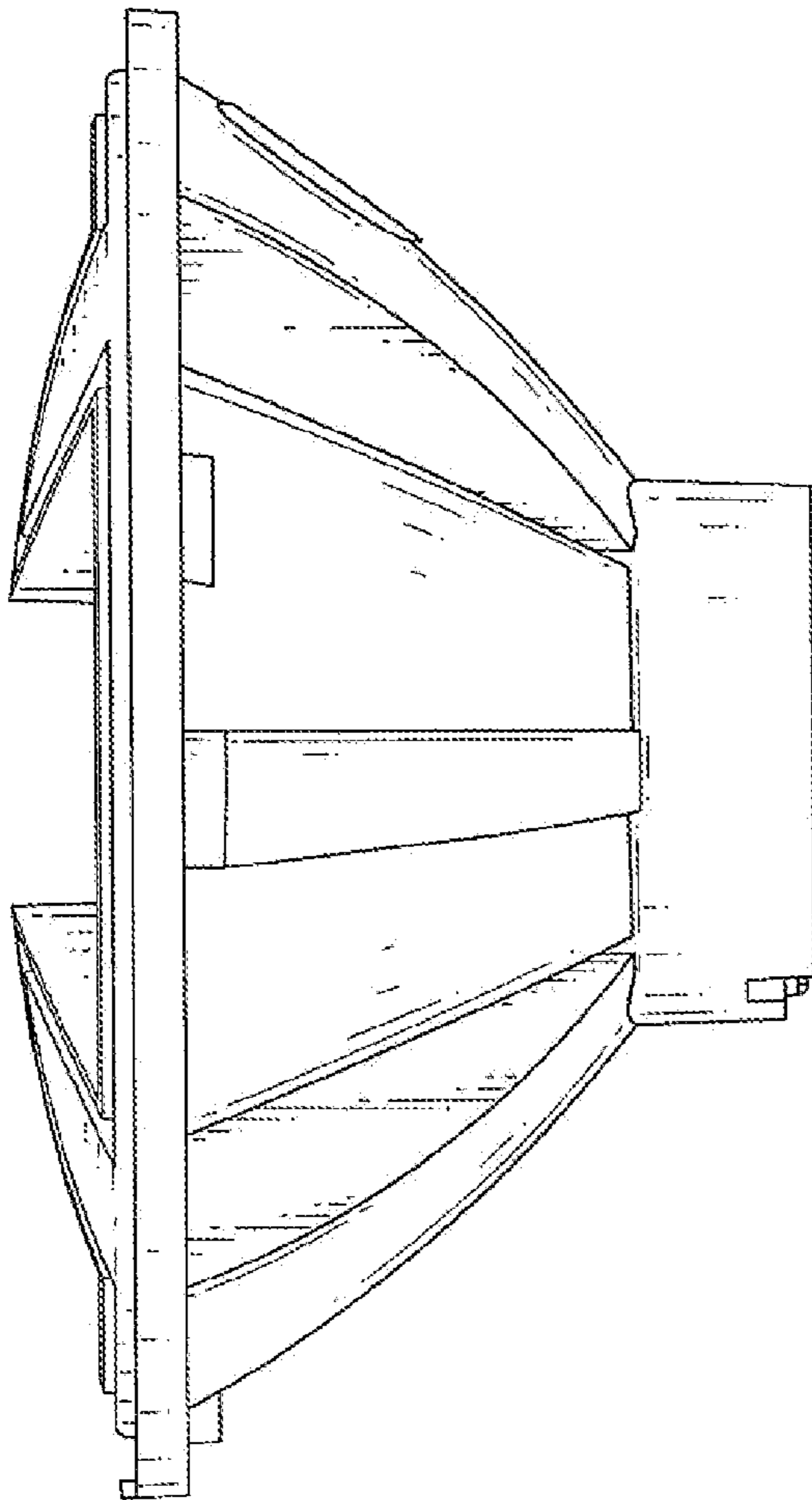


FIG.5



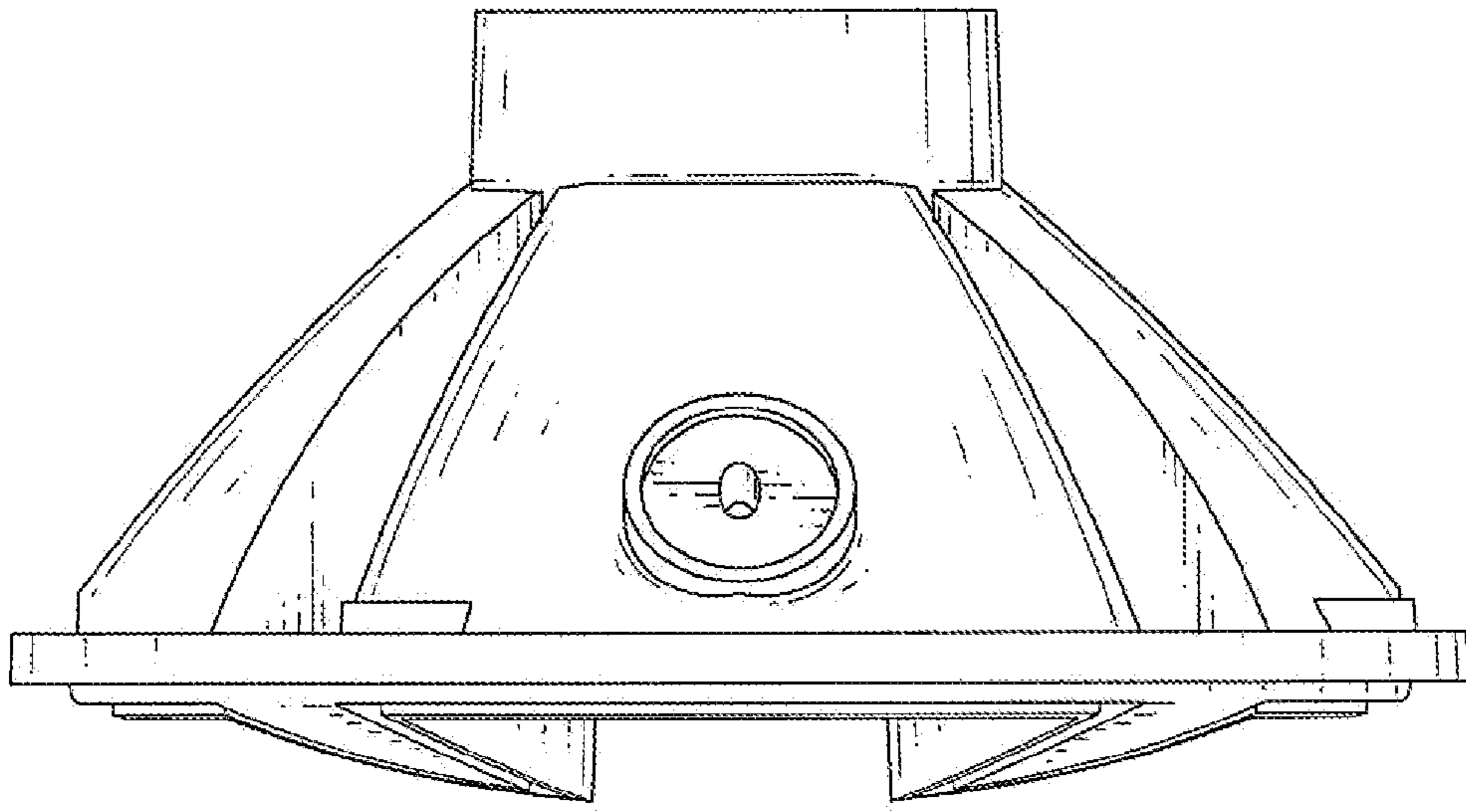


FIG. 6

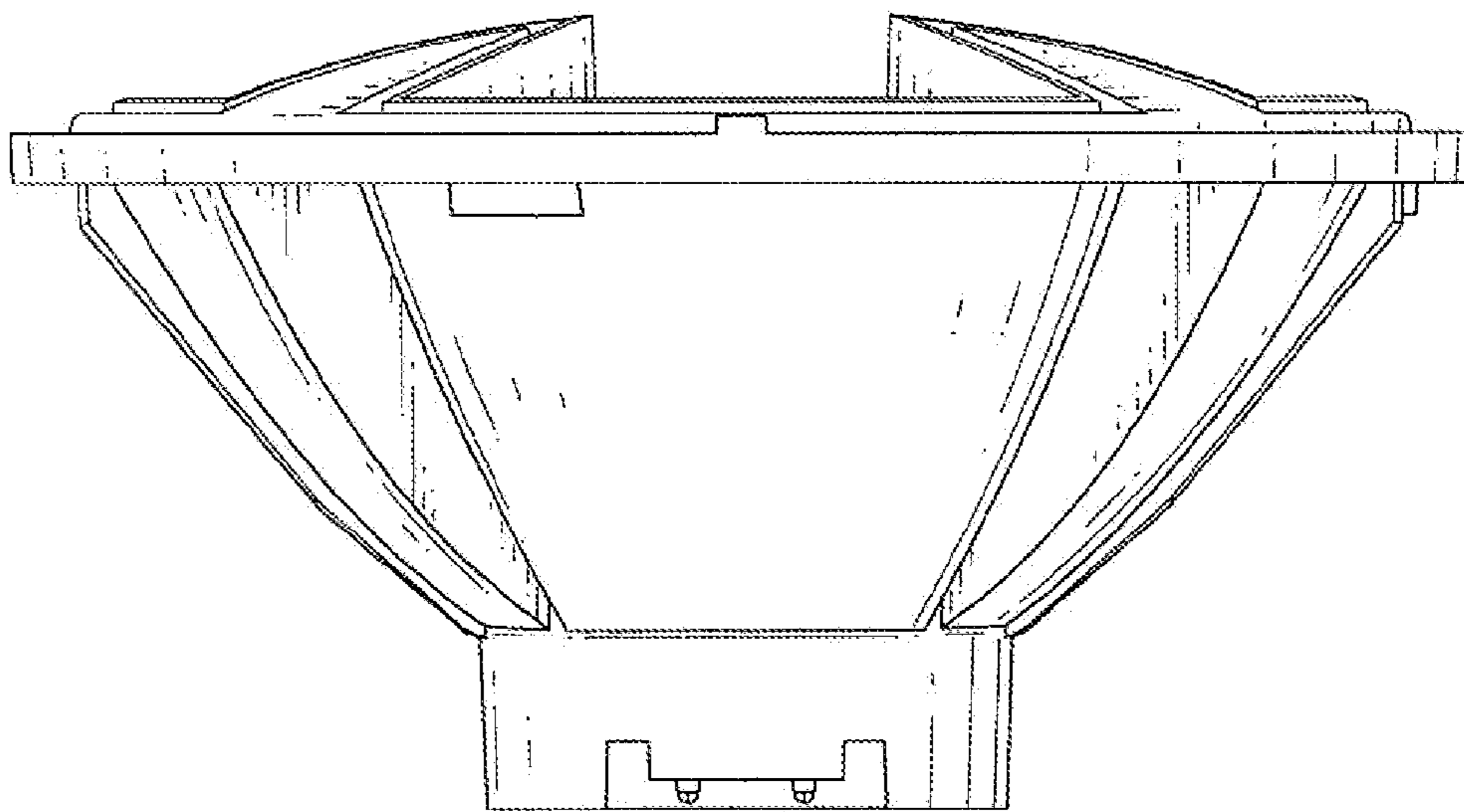


FIG. 7

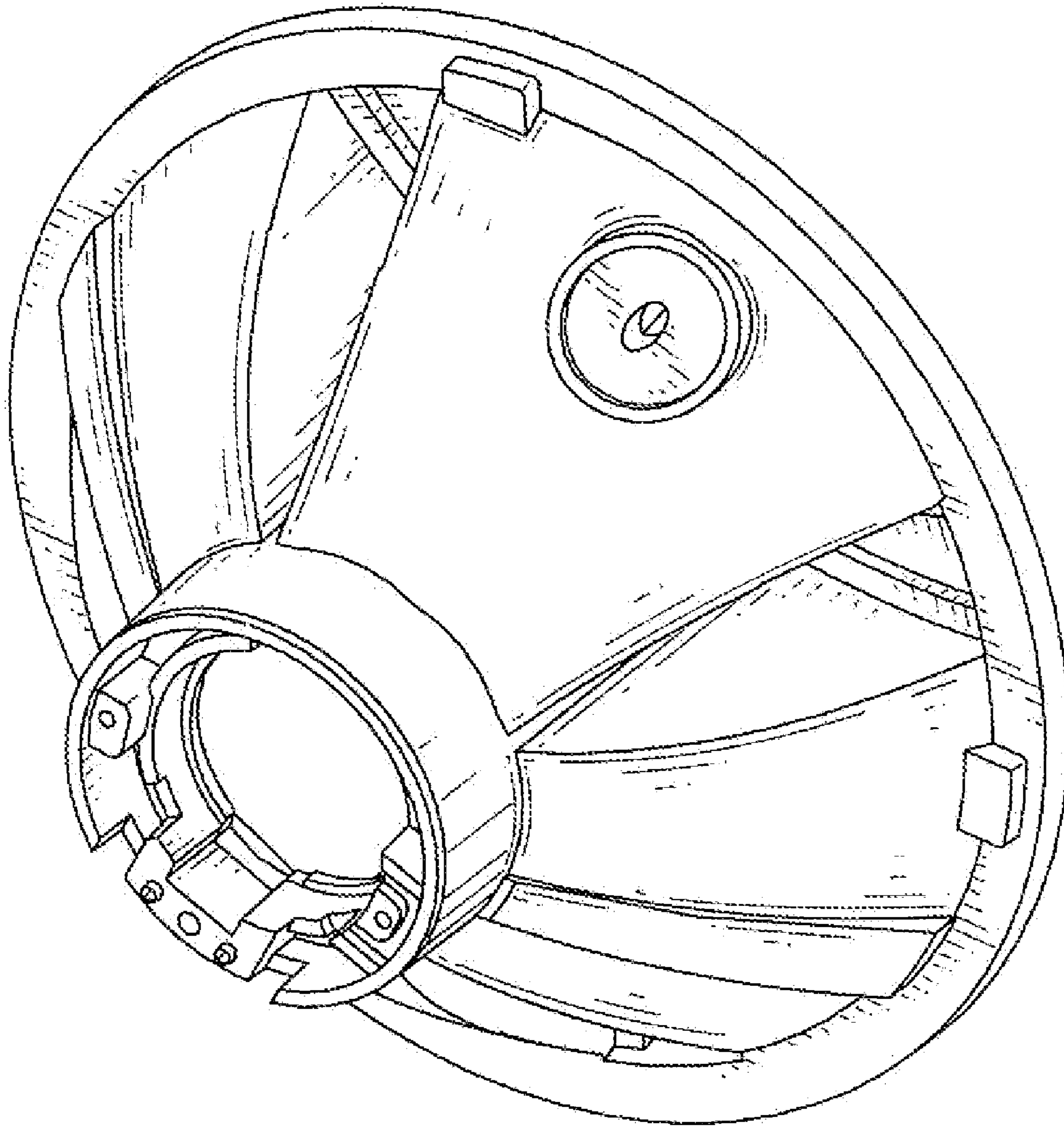


FIG.8