



US00D566867S

(12) **United States Design Patent**
Yang

(10) **Patent No.:** **US D566,867 S**
(45) **Date of Patent:** **** Apr. 15, 2008**

(54) **AUTOMOBILE LIGHT ASSEMBLY**

(57) **CLAIM**

(76) Inventor: **Hubert Yang**, No. 427, Sec. 2, Wunhua Road, Banciao, Taipei (TW)

The ornamental design for automobile light assembly, as shown and described.

(**) Term: **14 Years**

DESCRIPTION

(21) Appl. No.: **29/293,555**

FIG. 1 is a perspective view of the automobile light assembly.

(22) Filed: **Nov. 30, 2007**

FIG. 2 shows the front of the automobile light assembly.

(51) **LOC (8) Cl.** **26-06**

FIG. 3 shows the first side of the automobile light assembly.

(52) **U.S. Cl.** **D26/28**

FIG. 4 shows the second side of the automobile light assembly.

(58) **Field of Classification Search** D26/28-36;
362/459-468, 475-478, 485-487

FIG. 5 shows the top of the automobile light assembly.

See application file for complete search history.

FIG. 6 shows the bottom of the automobile light assembly.

FIG. 7 shows a first exploded view of the automobile light assembly.

(56) **References Cited**

U.S. PATENT DOCUMENTS

FIG. 8 shows a second exploded view of the automobile light assembly; and,

D549,855 S * 8/2007 Moisy et al. D26/28

FIG. 9 shows a detail view of part of automobile light assembly.

D552,770 S * 10/2007 Davidson D26/28

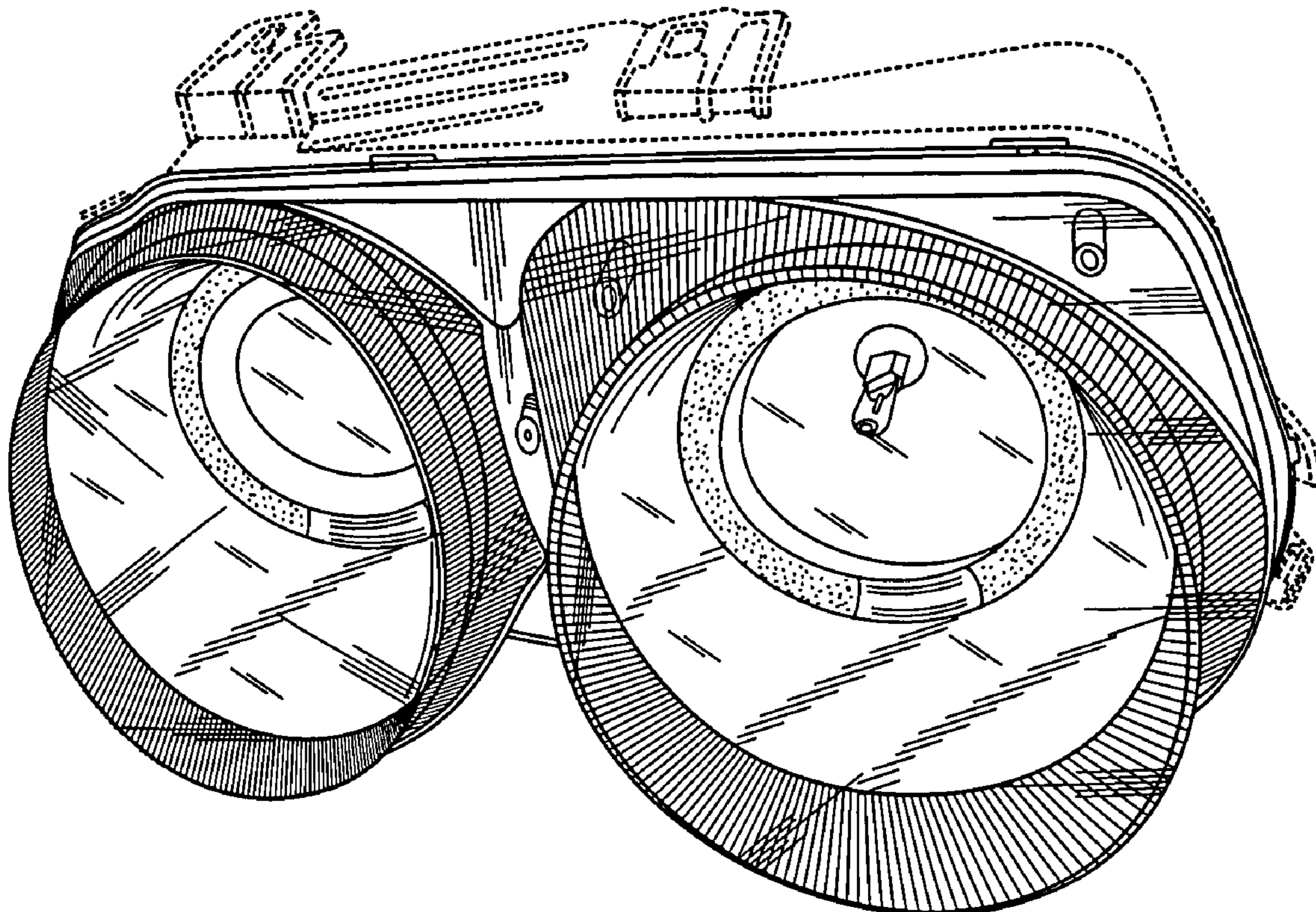
D558,368 S * 12/2007 Koyama D26/28

The broken line showing of the rear structure is included for the purpose of illustrating the rear structure and forms no part of the claimed design.

* cited by examiner

Primary Examiner—Marcus A. Jackson

1 Claim, 7 Drawing Sheets



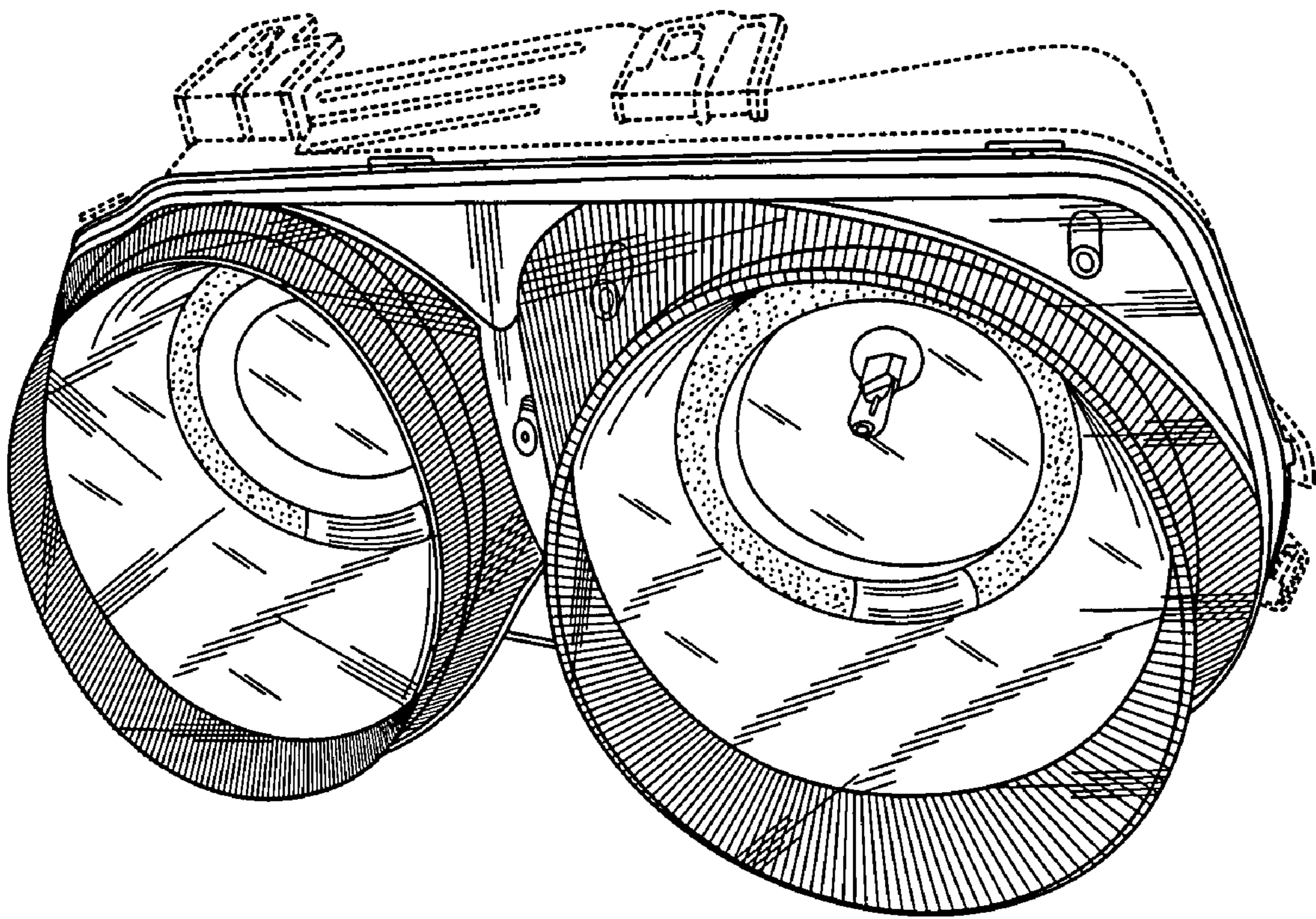


FIG. 1

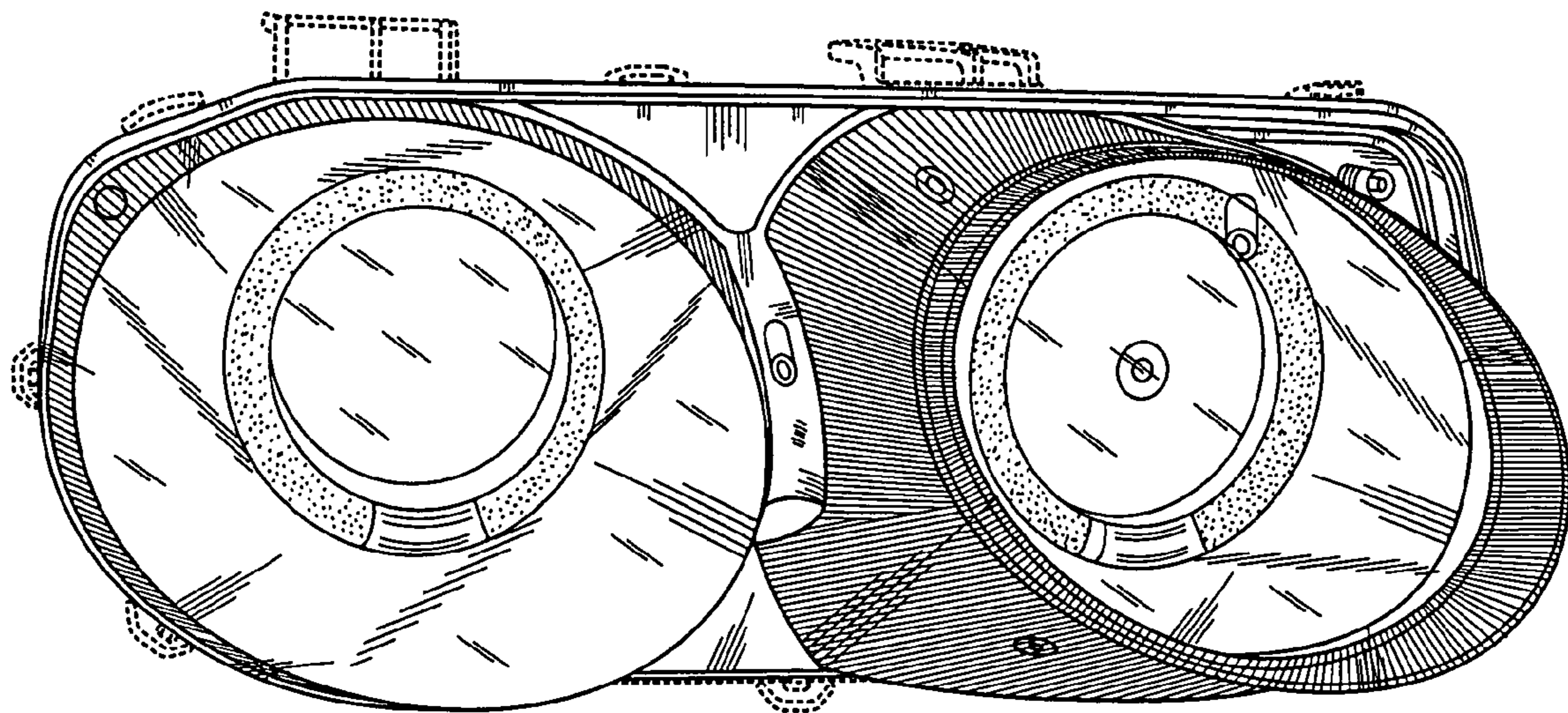


FIG. 2

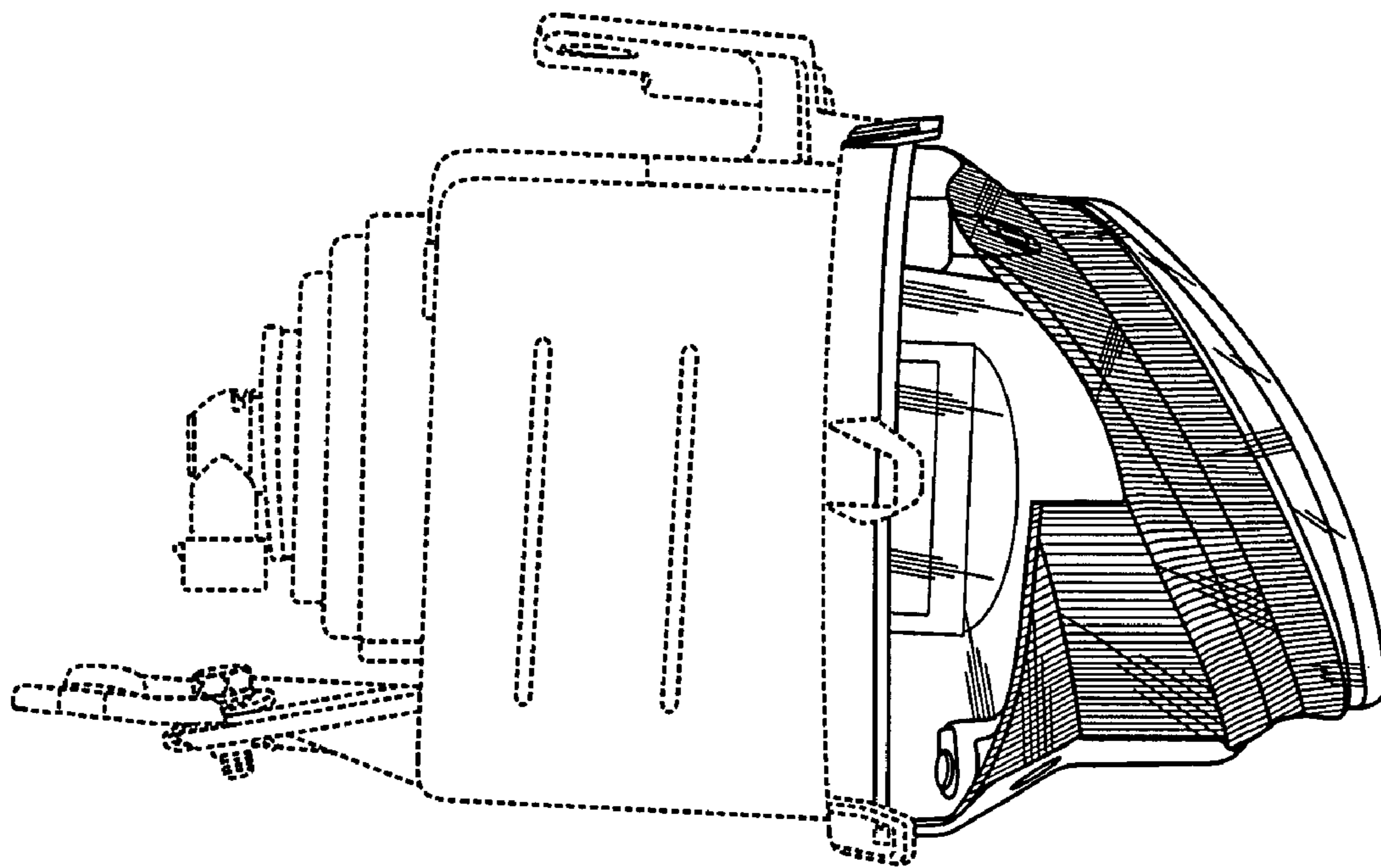


FIG. 3

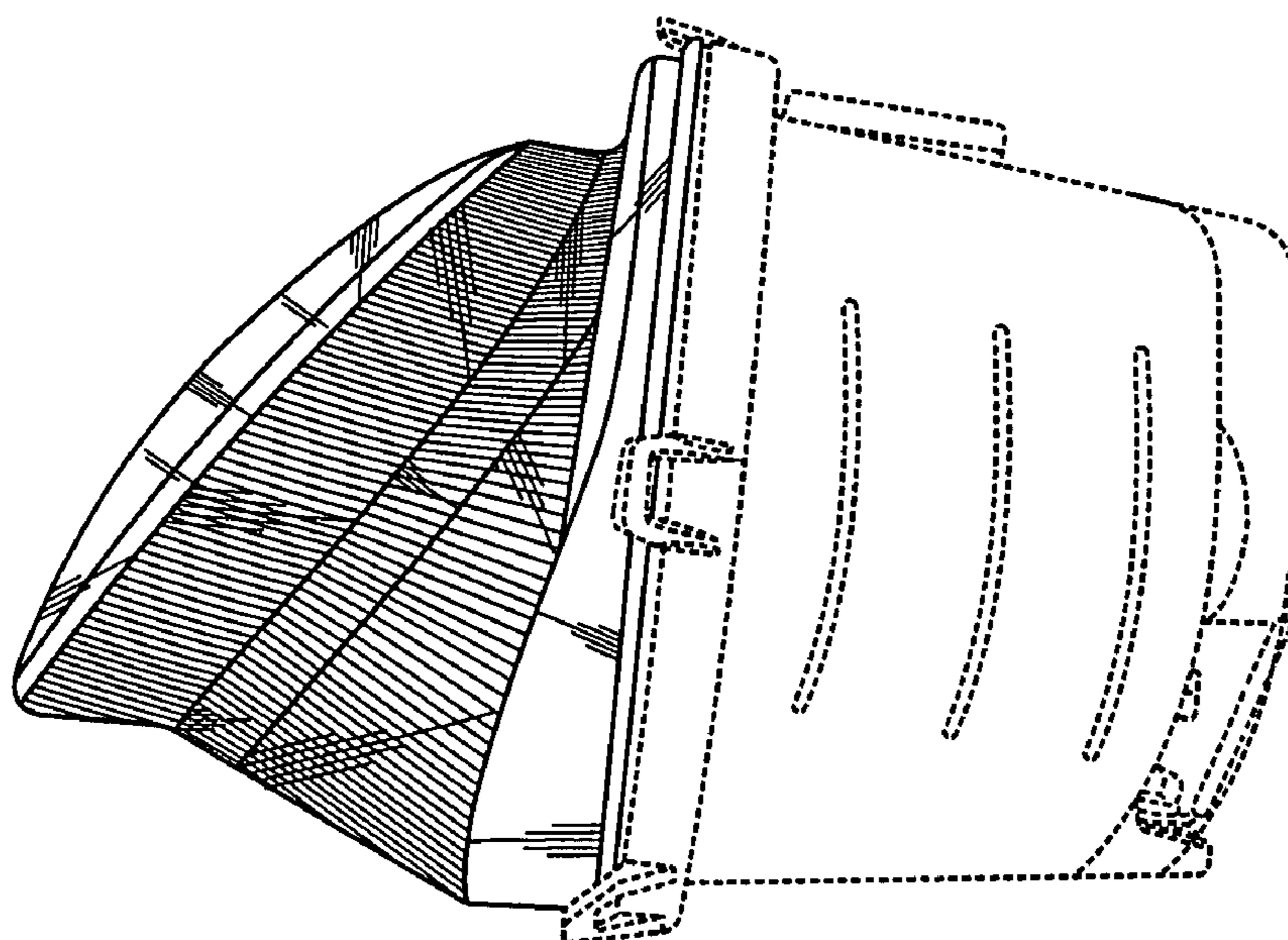


FIG. 4

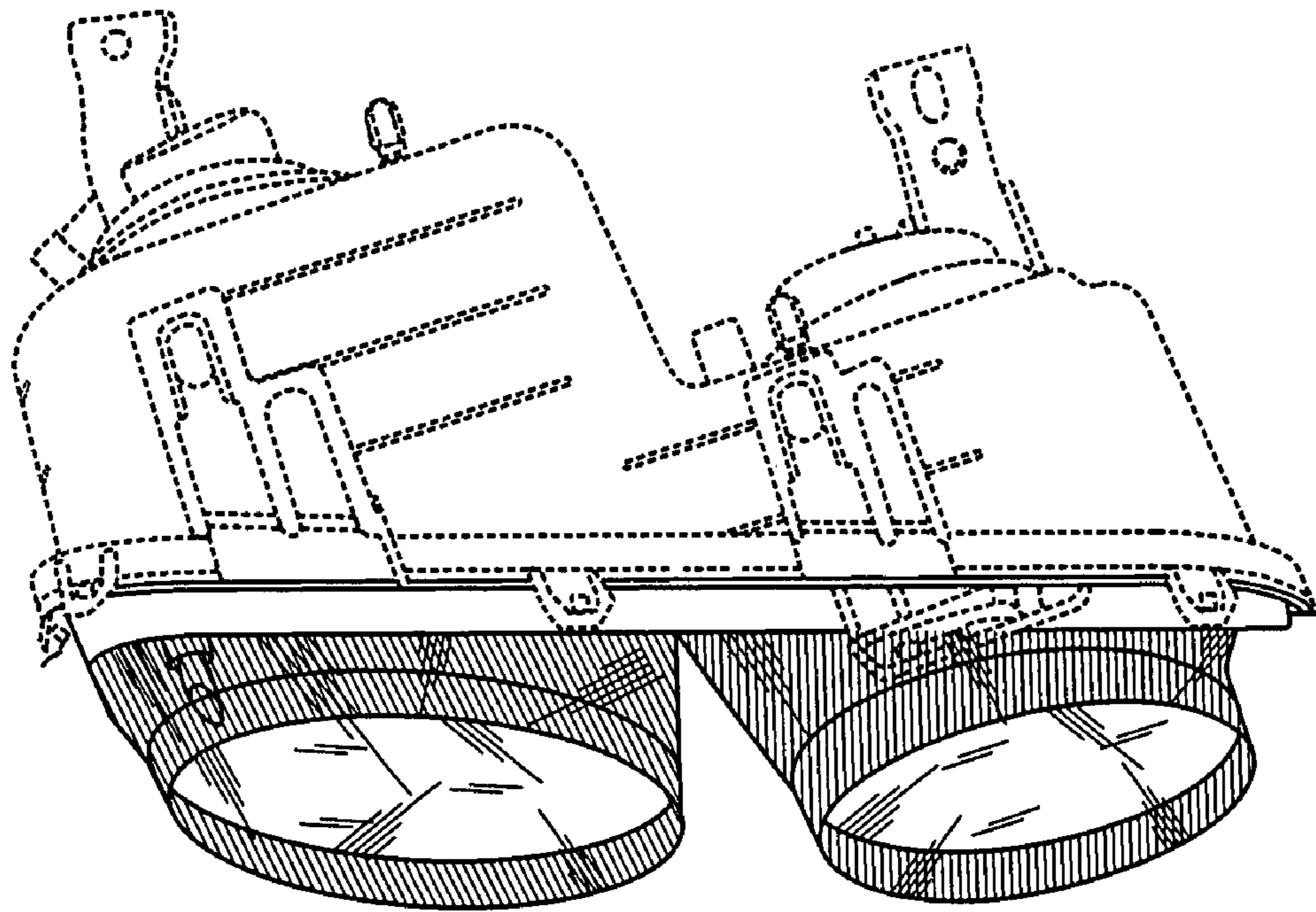


FIG. 5

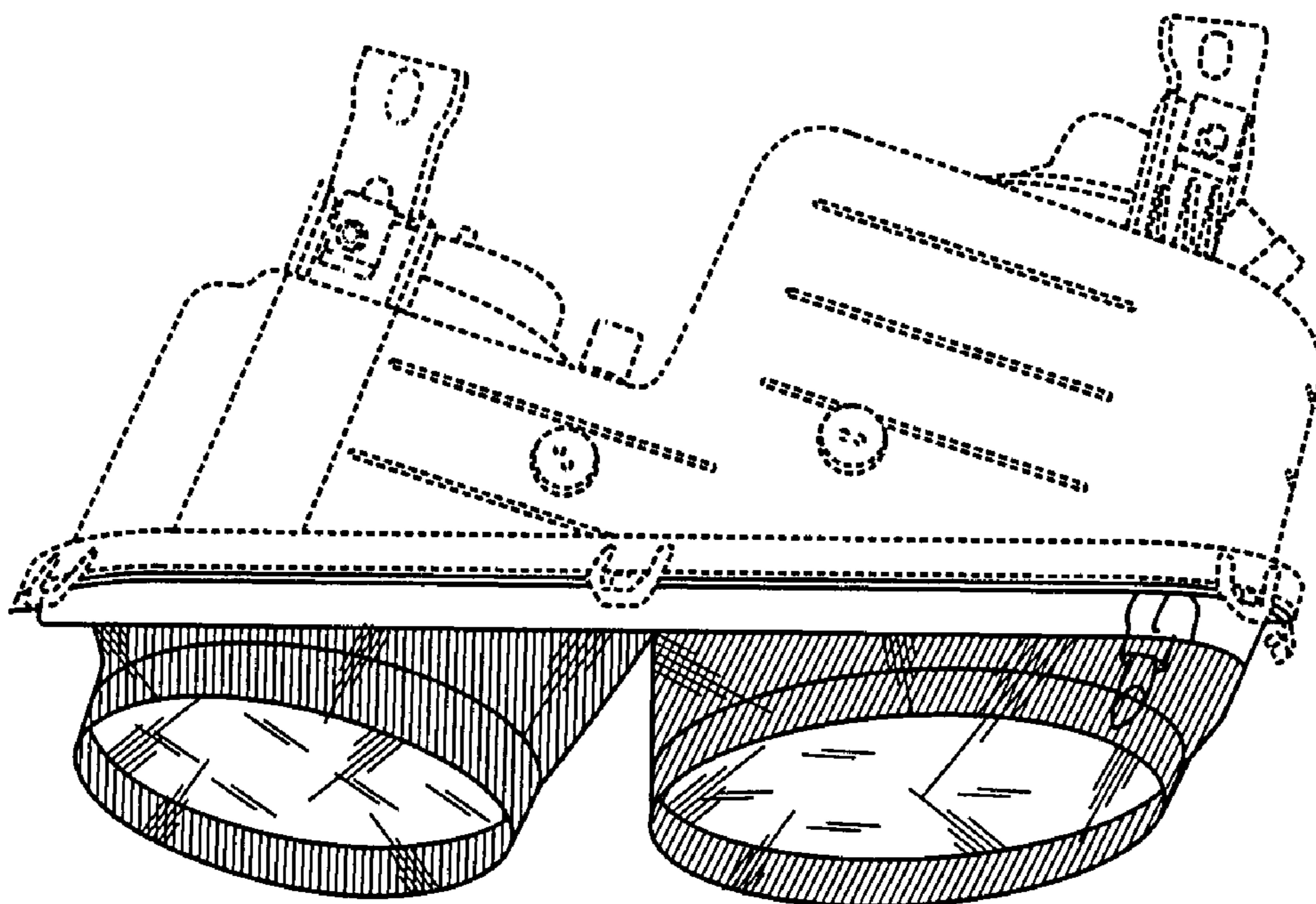


FIG. 6

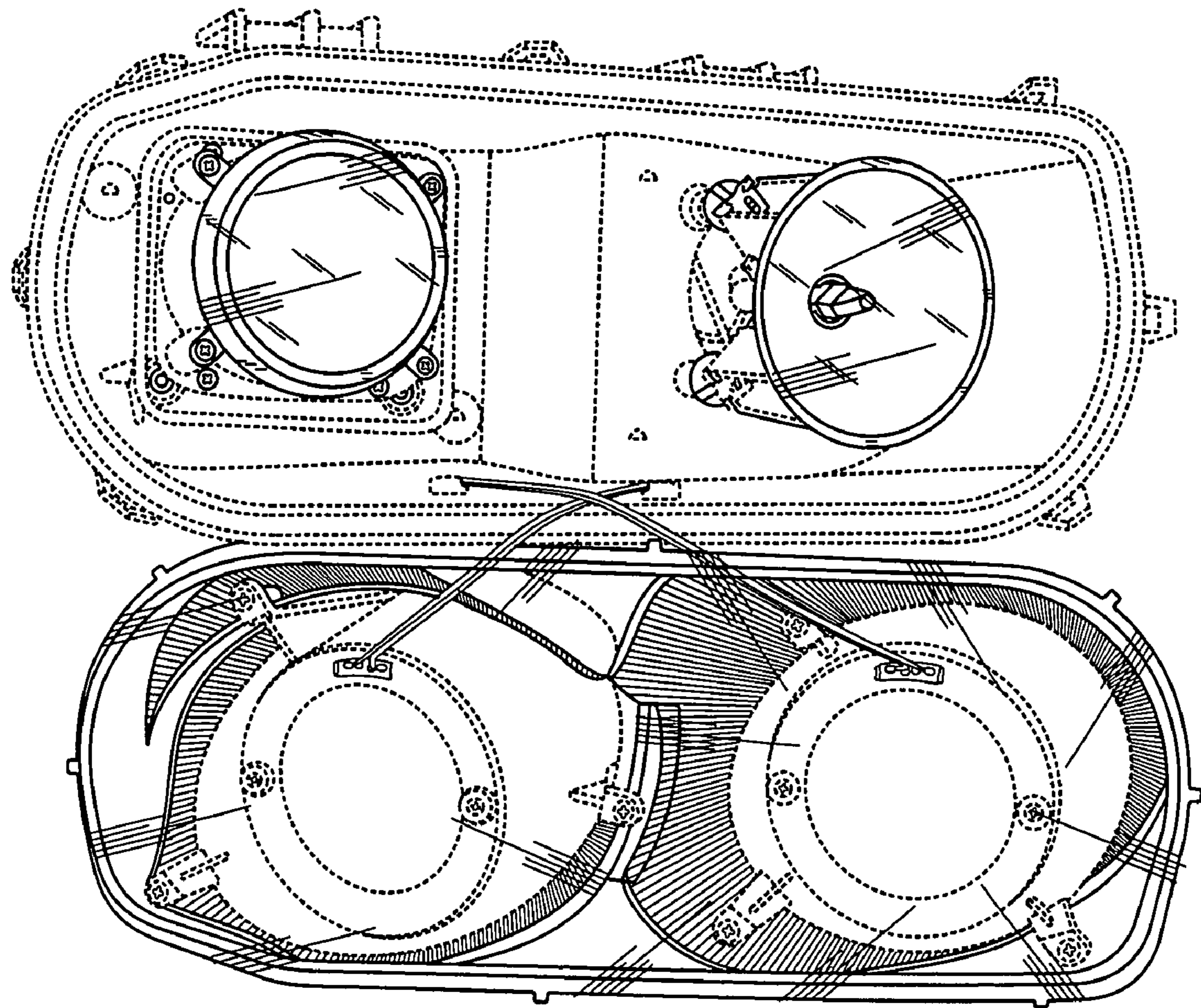


FIG. 7

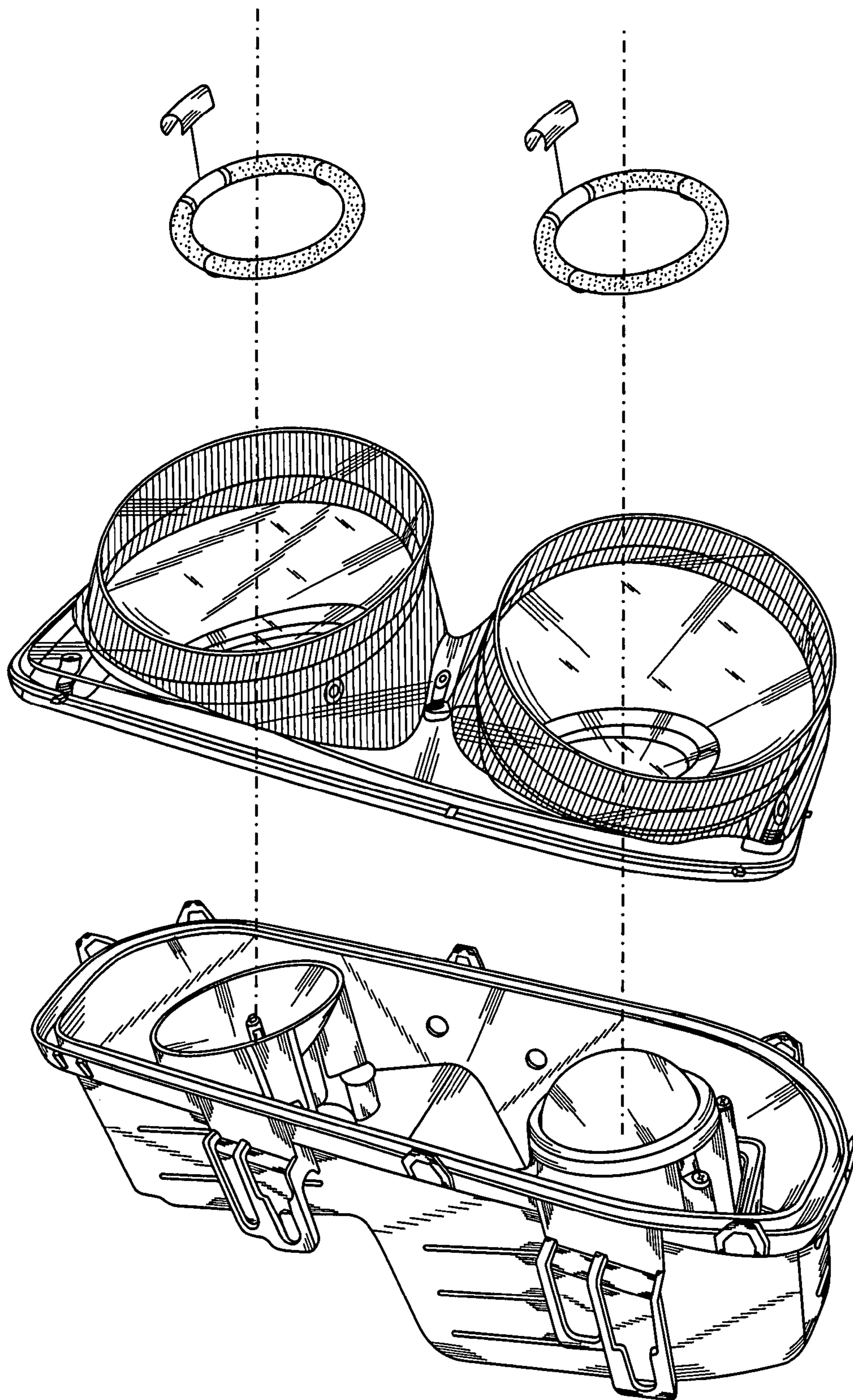


FIG. 8

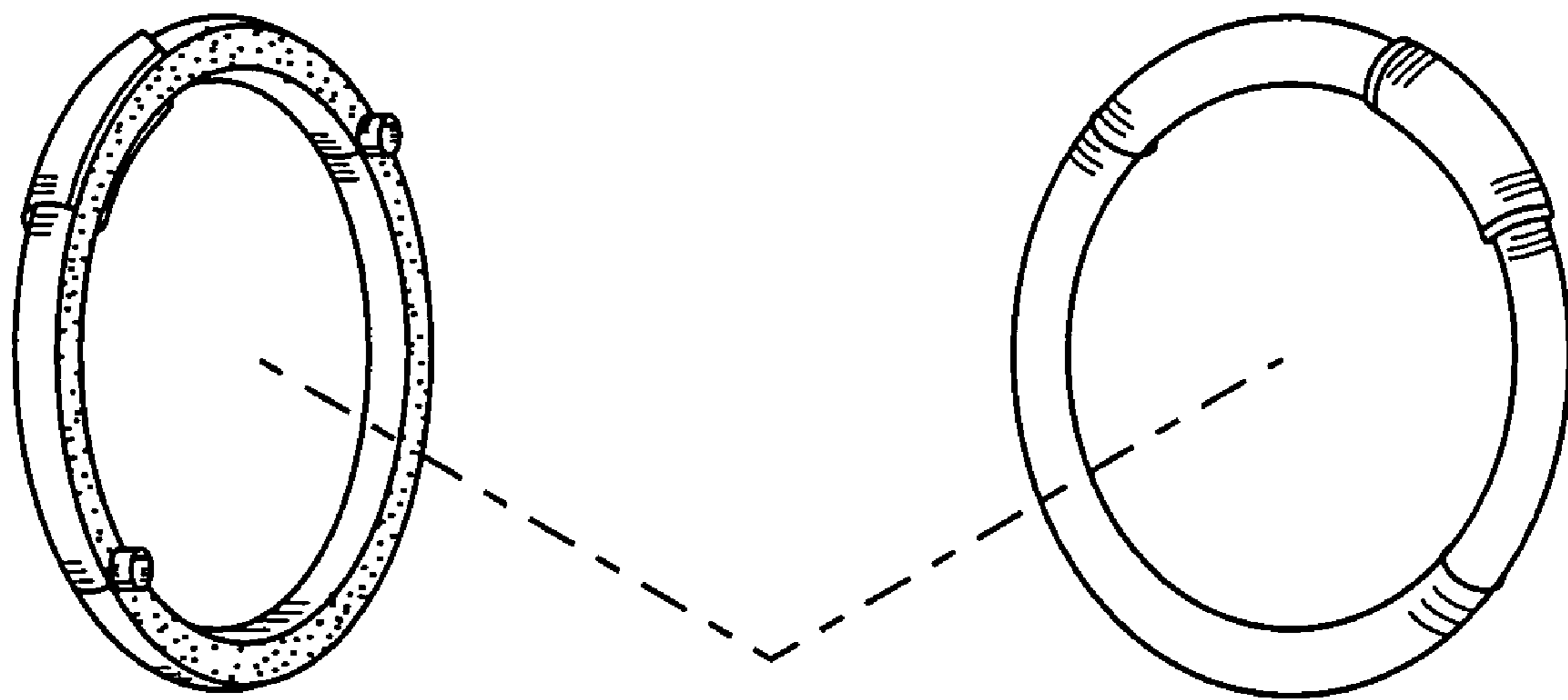


FIG. 9