

US00D566864S

(12) **United States Design Patent**
Pfeiffer

(10) **Patent No.:** **US D566,864 S**

(45) **Date of Patent:** **** Apr. 15, 2008**

(54) **HEADLIGHT FOR A VEHICLE**

(75) Inventor: **Peter Pfeiffer**, Boeblingen (DE)

(73) Assignee: **DaimlerChrysler AG**, Stuttgart (DE)

(**) Term: **14 Years**

(21) Appl. No.: **29/290,117**

(22) Filed: **Oct. 23, 2007**

(30) **Foreign Application Priority Data**

Apr. 24, 2007 (DE) 4 07 02 161

(51) **LOC (8) Cl.** **29-06**

(52) **U.S. Cl.** **D26/28**

(58) **Field of Classification Search** D26/28-36;
362/459-468, 475-478, 485-487

See application file for complete search history.

(56) **References Cited**

U.S. PATENT DOCUMENTS

D506,842 S *	6/2005	Nagura et al.	D26/28
D524,466 S *	7/2006	Essig	D26/28
D529,208 S *	9/2006	Ikeda	D26/28
D538,954 S *	3/2007	Pfeiffer	D26/28
D542,442 S *	5/2007	Matsunami	D26/28
D552,768 S *	10/2007	Leclercq	D26/28

* cited by examiner

Primary Examiner—Marcus A. Jackson

(74) *Attorney, Agent, or Firm*—Crowell & Moring LLP

(57) **CLAIM**

The ornamental design for a headlight for a vehicle, as shown and described.

DESCRIPTION

This application is related to the following co-pending applications:

Application Ser. No. 29/290,119, entitled “Headlight for a Vehicle”; and application Ser. No. 29/271,921, entitled “Vehicle, Toy, and/or other Replicas.”

FIG. 1 is a right, elevated perspective view of a first embodiment of a headlight for a vehicle according to my novel design;

FIG. 2 is a left, elevated perspective view thereof;

FIG. 3 is a front view thereof;

FIG. 4 is a right side view thereof; and

FIG. 5 is a top view thereof.

FIG. 6 is a left, elevated perspective view of a second embodiment of the headlight for a vehicle according to my novel design;

FIG. 7 is a right, elevated perspective view thereof;

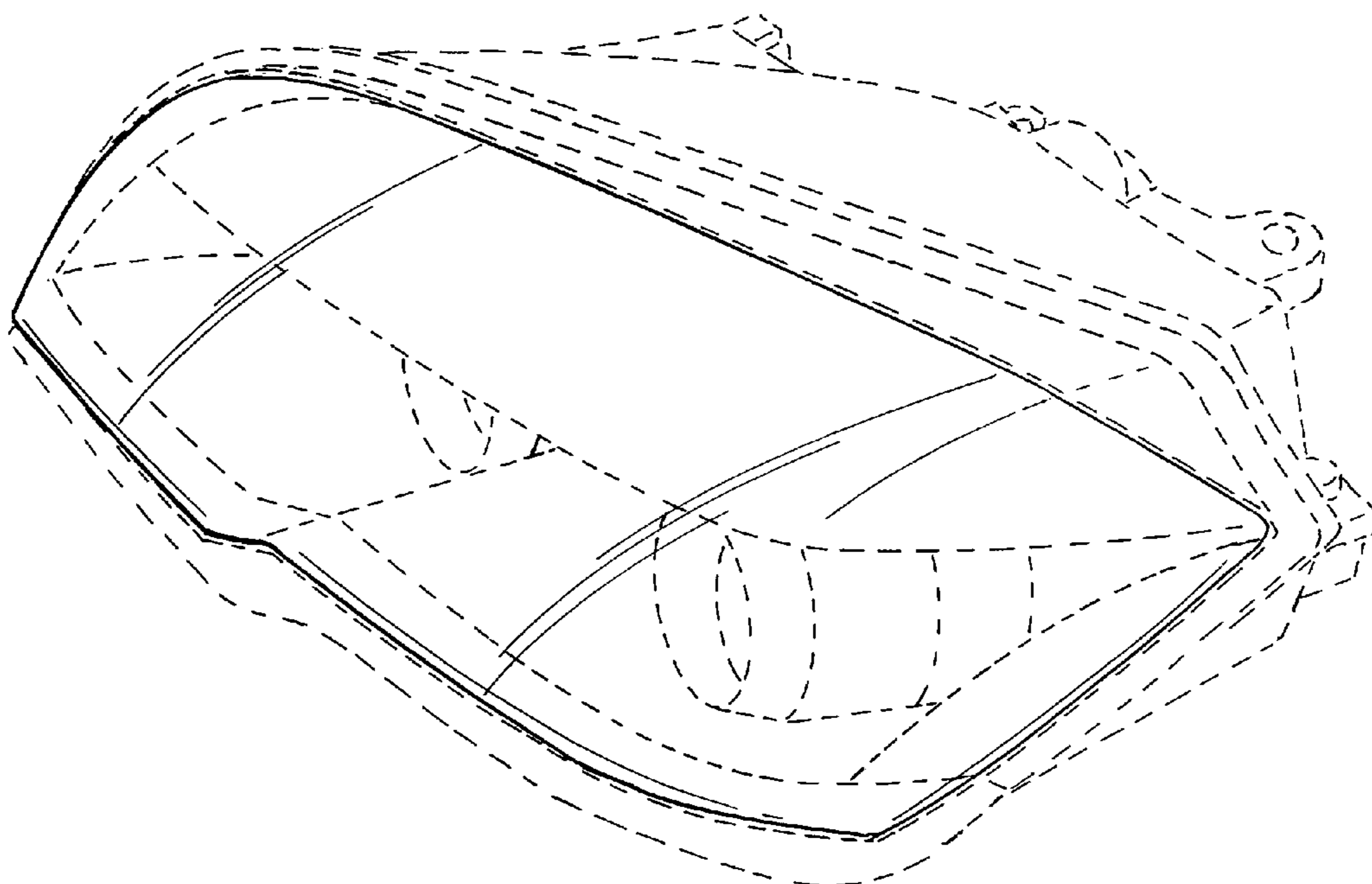
FIG. 8 is a front view thereof;

FIG. 9 is a left side view thereof; and,

FIG. 10 is a top view thereof.

The broken lines are for illustrative purposes only and form no part of the claimed design. Also enclosed is a set of photographs of an embodiment of the design.

1 Claim, 8 Drawing Sheets



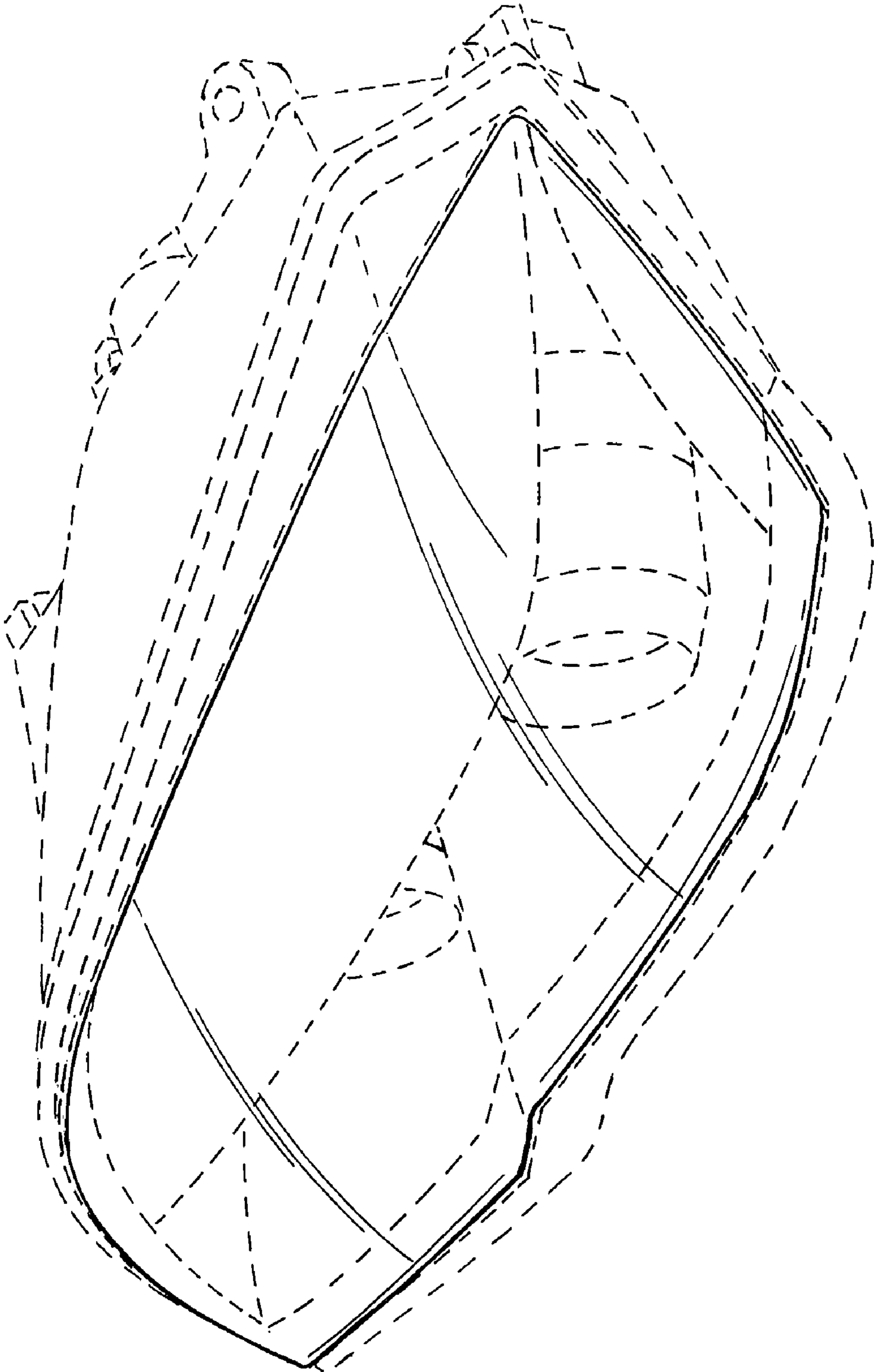


FIG. 1

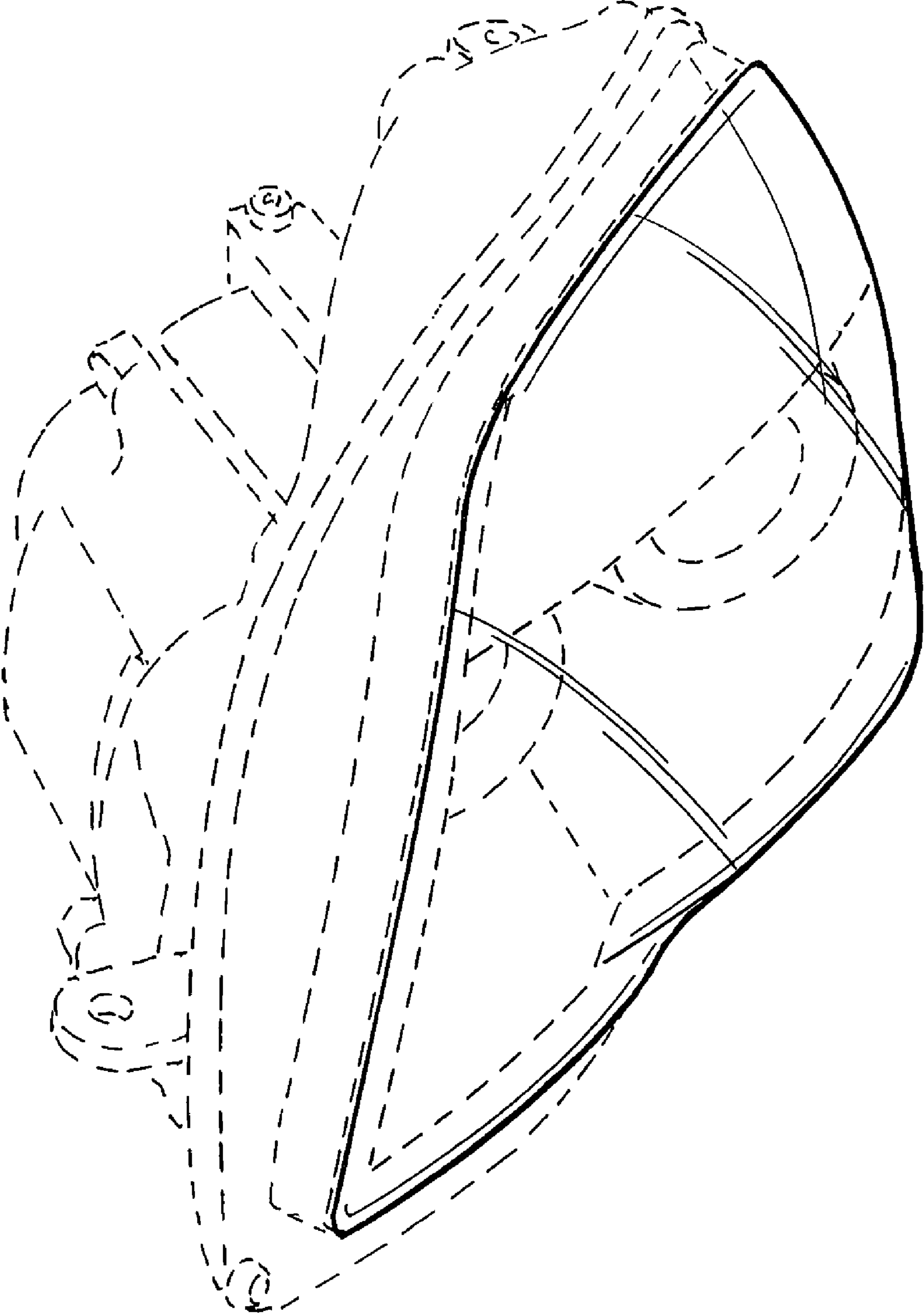


FIG. 2

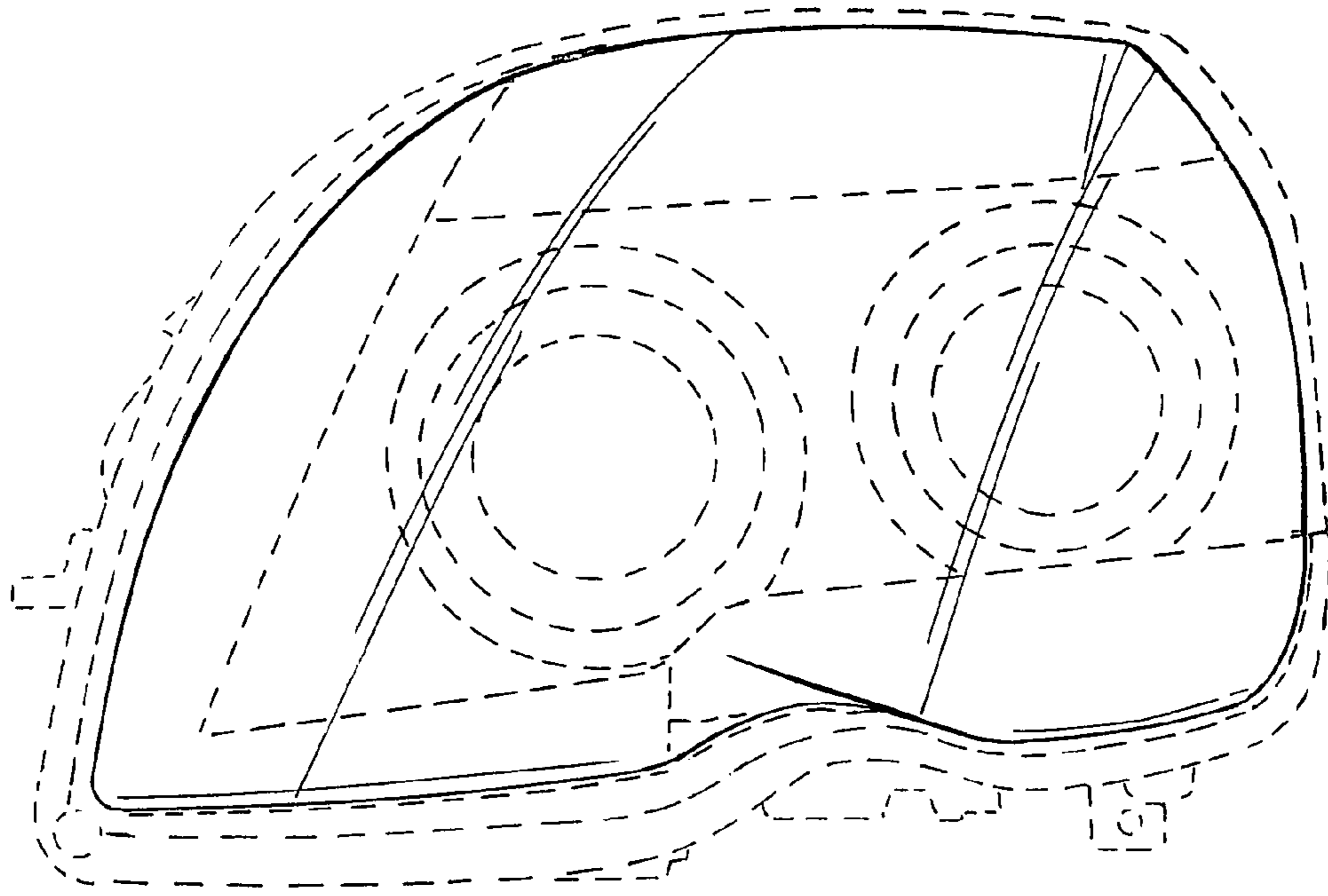


FIG. 3

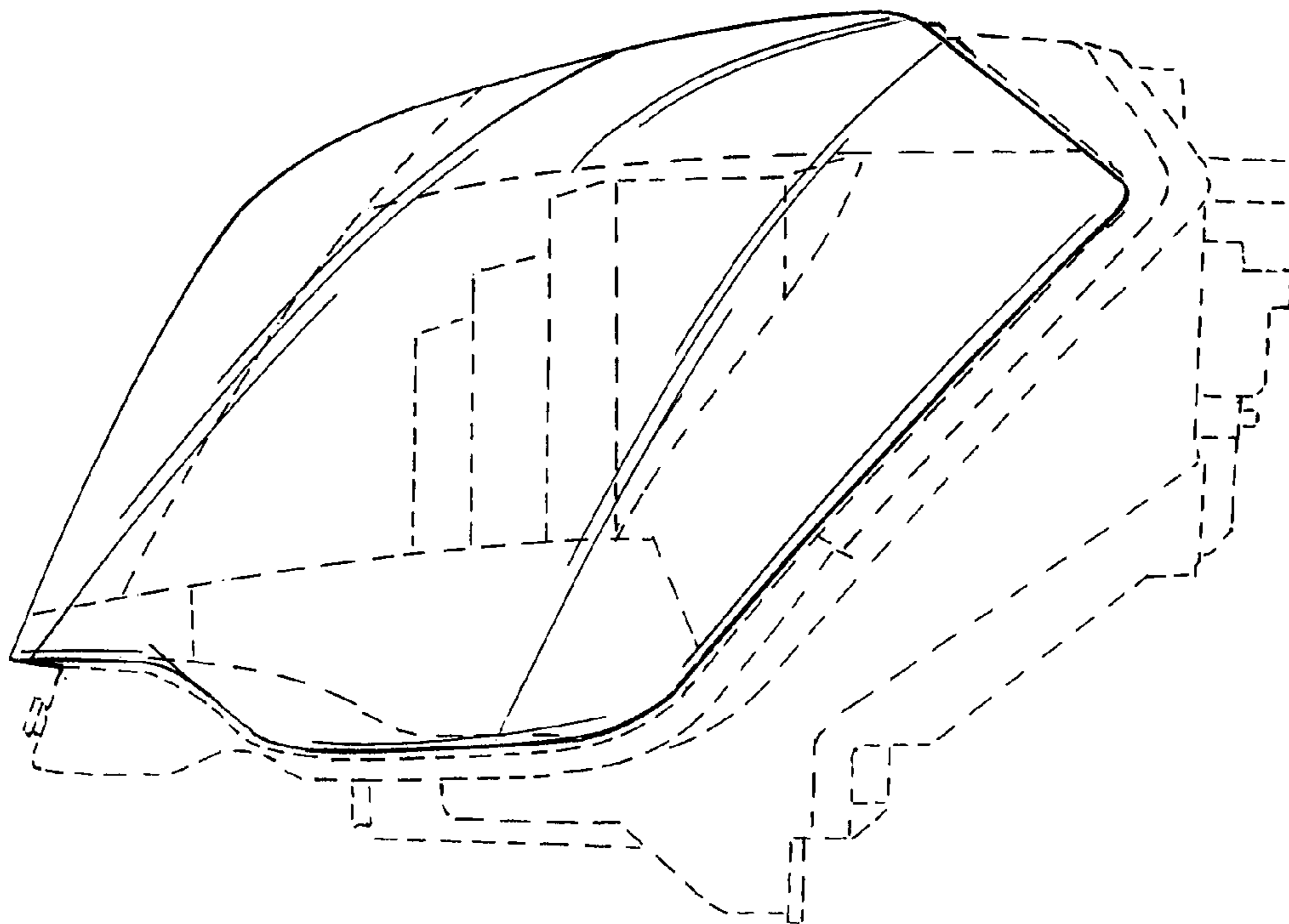


FIG. 4

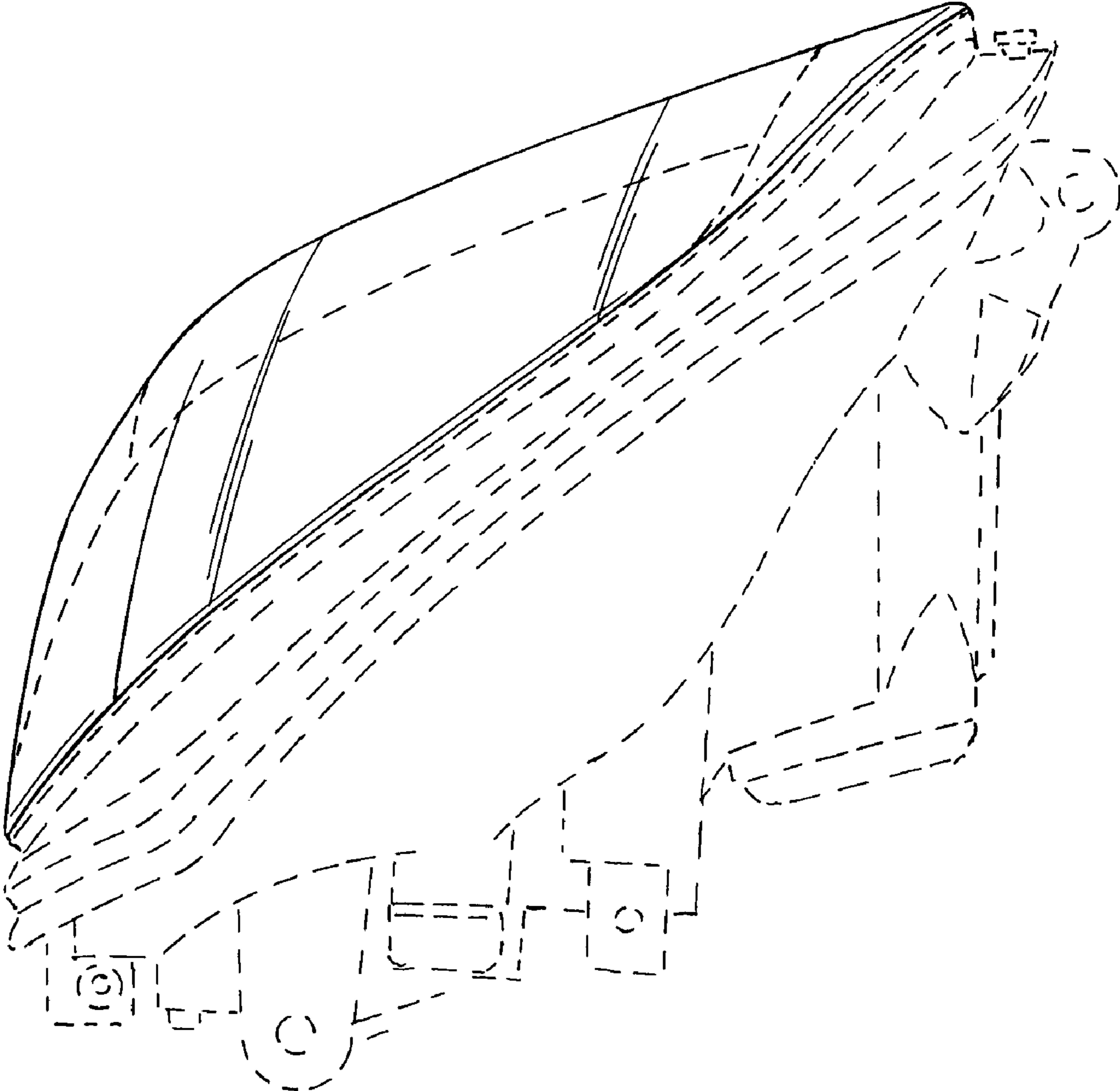


FIG. 5

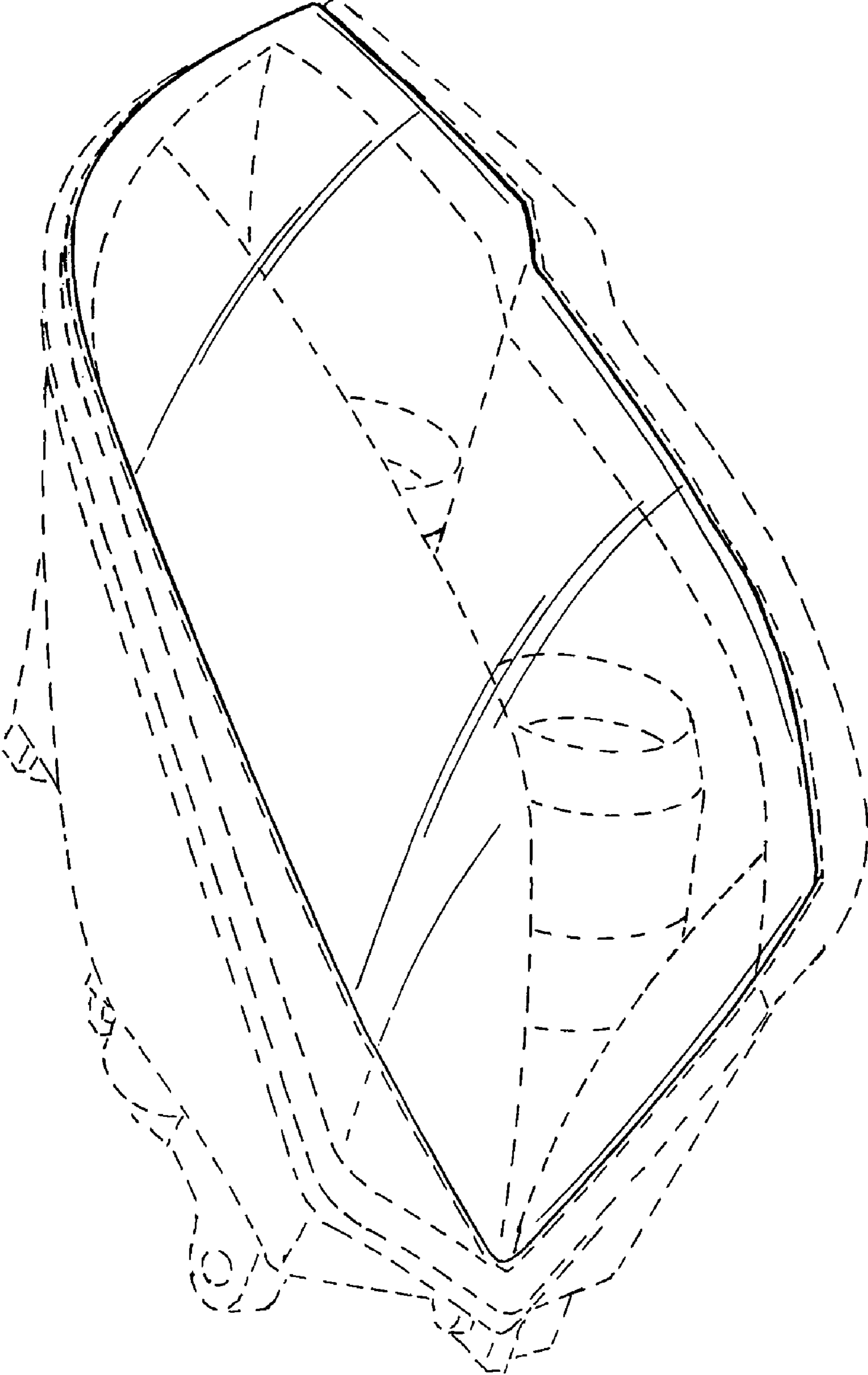


FIG. 6

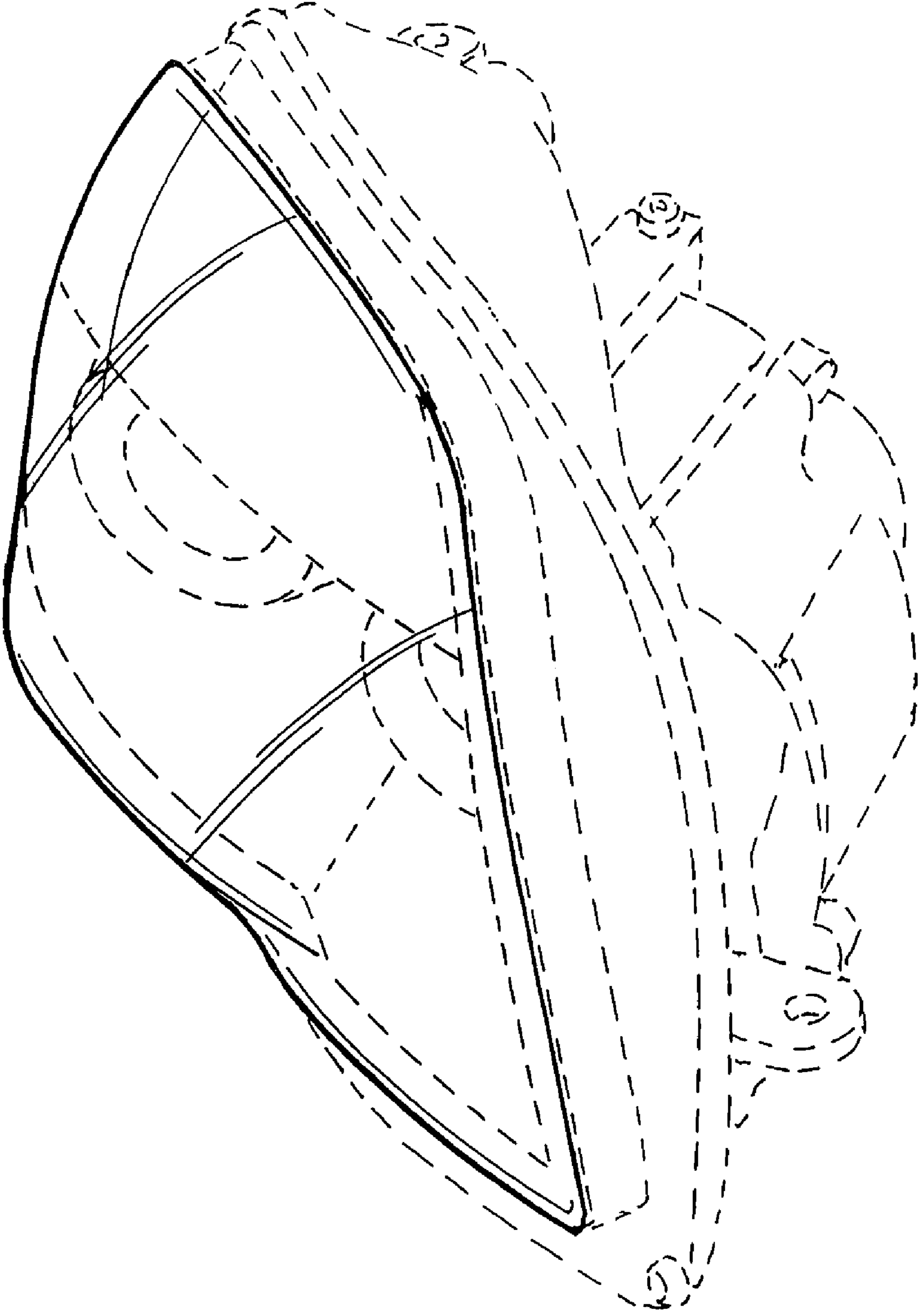


FIG. 7

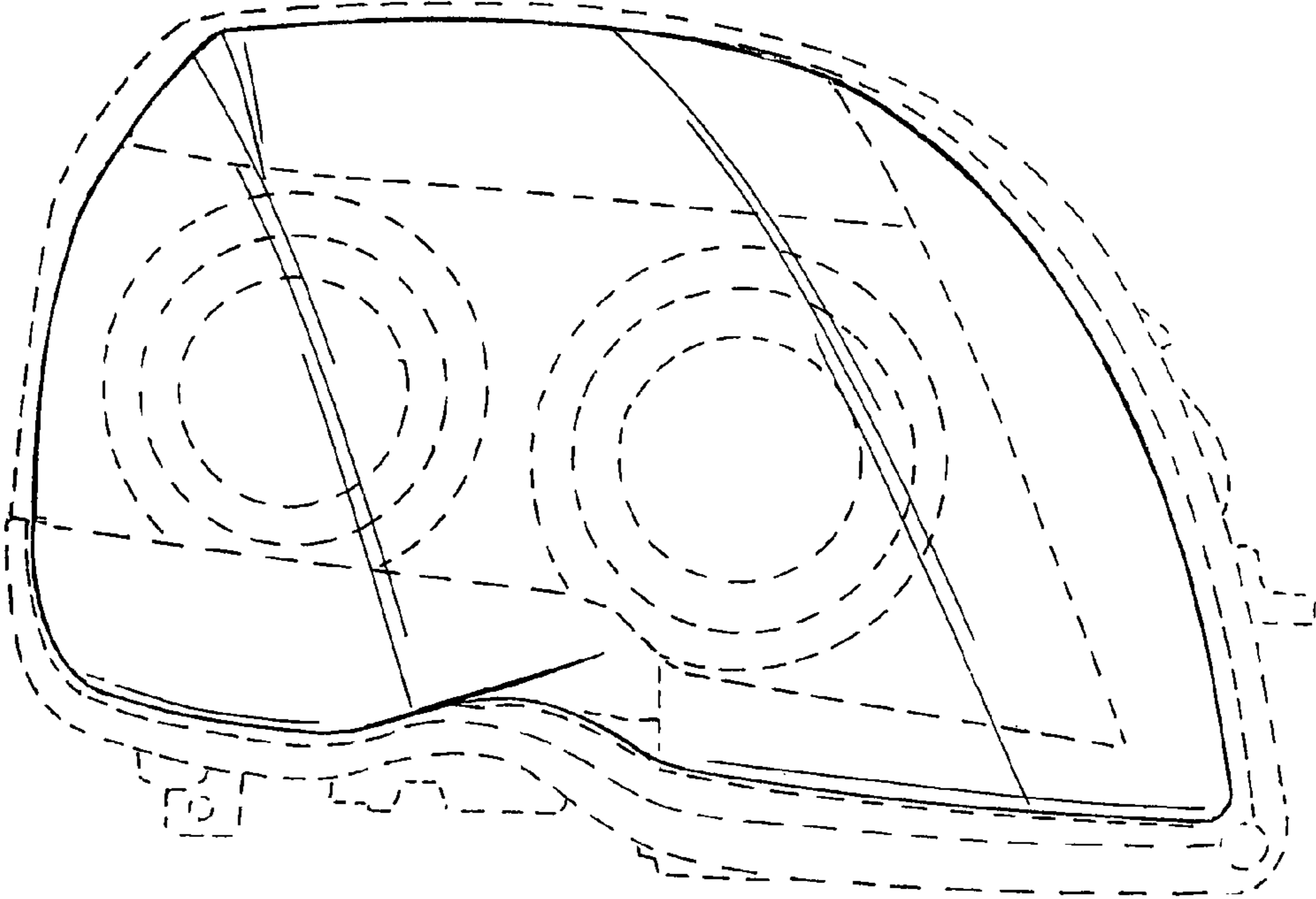


FIG. 8

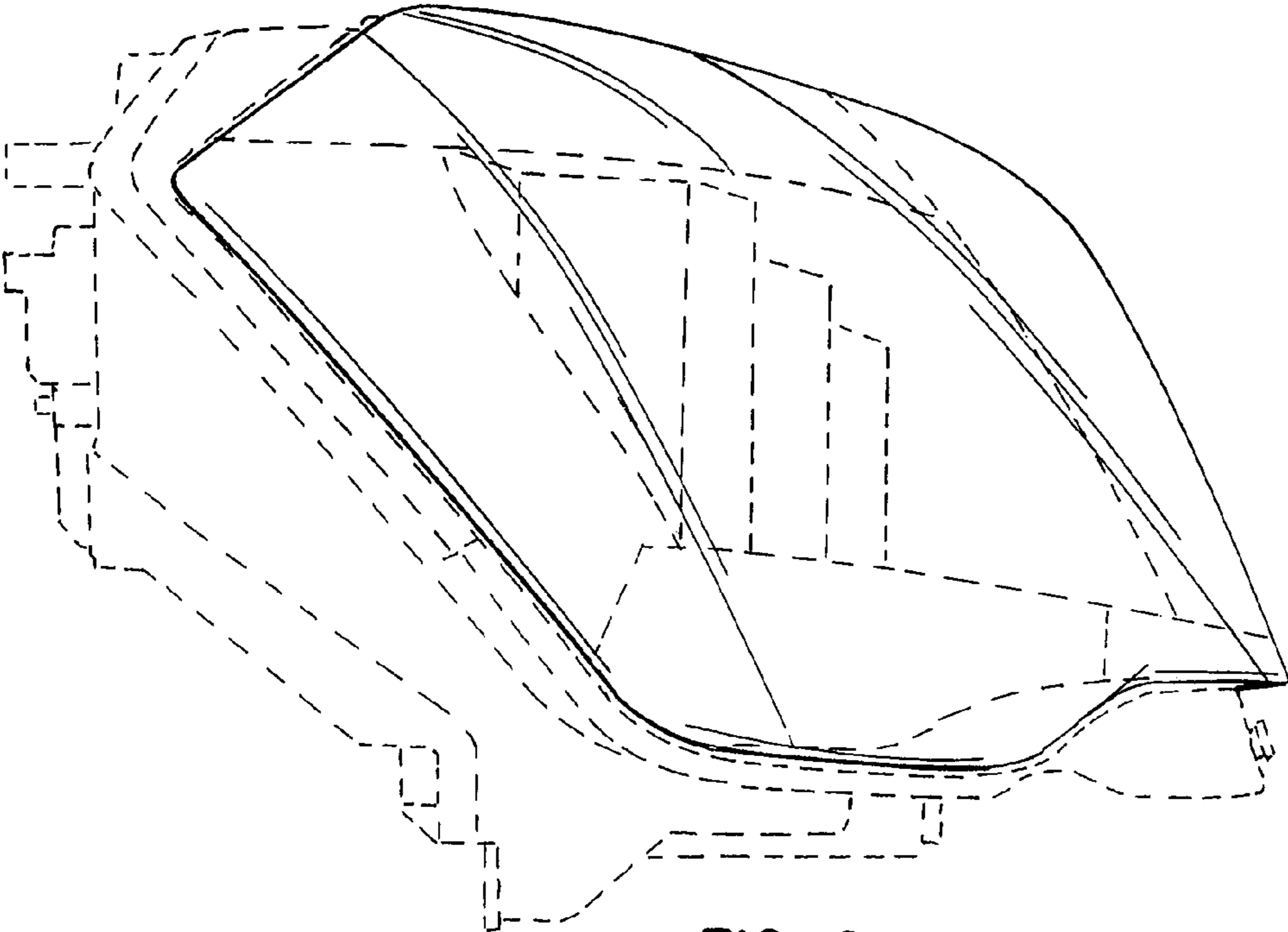


FIG. 9

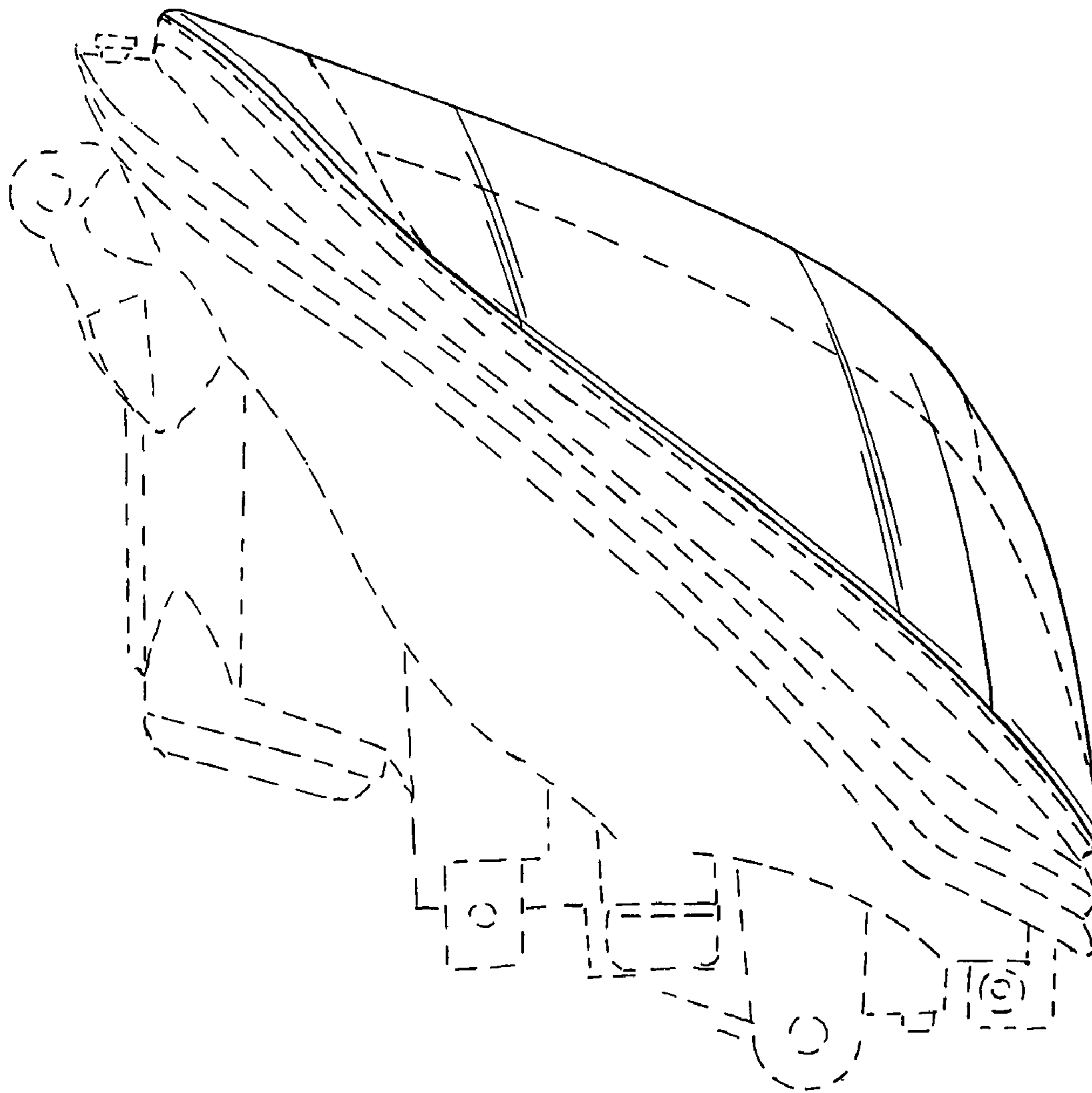


FIG. 10