

US00D566863S

(12) **United States Design Patent**
Janik

(10) **Patent No.:** **US D566,863 S**

(45) **Date of Patent:** **** Apr. 15, 2008**

(54) **HEADLAMP FOR VEHICLE**

D538,956 S * 3/2007 Ishii D26/28
D542,442 S * 5/2007 Matsunami D26/28

(75) Inventor: **Brian Janik**, South Lyon, MI (US)

* cited by examiner

(73) Assignee: **Nissan Motor Co., Ltd.**, Yokohama-shi (JP)

Primary Examiner—Marcus A. Jackson

(74) *Attorney, Agent, or Firm*—Foley & Lardner LLP

(**) Term: **14 Years**

(21) Appl. No.: **29/270,063**

(22) Filed: **Dec. 14, 2006**

(57) **CLAIM**

The ornamental design for a headlamp for vehicle, as shown and described.

(30) **Foreign Application Priority Data**

Jul. 26, 2006 (JP) D2006-019737

DESCRIPTION

(51) **LOC (8) Cl.** **26-06**

(52) **U.S. Cl.** **D26/28**

(58) **Field of Classification Search** D26/28-36;
362/459-468, 475-478, 485-487
See application file for complete search history.

FIG. 1 is a perspective view of a headlamp for vehicle;

FIG. 2 is a front view thereof;

FIG. 3 is a rear view thereof;

FIG. 4 is a top plan view thereof;

FIG. 5 is a bottom plan view thereof;

FIG. 6 is a left side view thereof;

FIG. 7 is a right side view thereof; and,

FIG. 8 is a referential perspective view thereof showing the surface configuration of the outer lens portion by lines.

(56) **References Cited**

U.S. PATENT DOCUMENTS

D536,810 S * 2/2007 Ishikura D26/28

D538,954 S * 3/2007 Pfeiffer D26/28

1 Claim, 8 Drawing Sheets

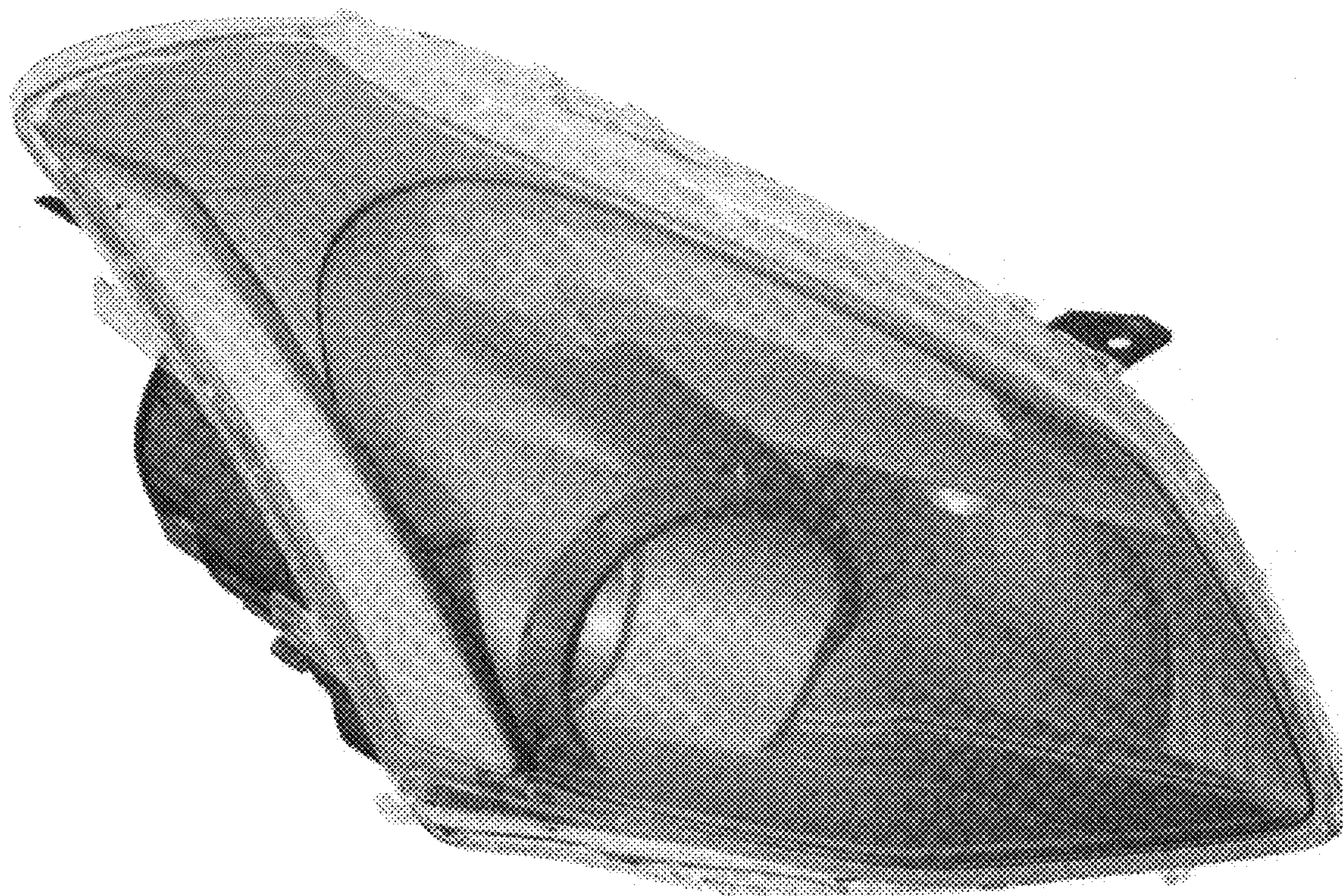


FIG. 1

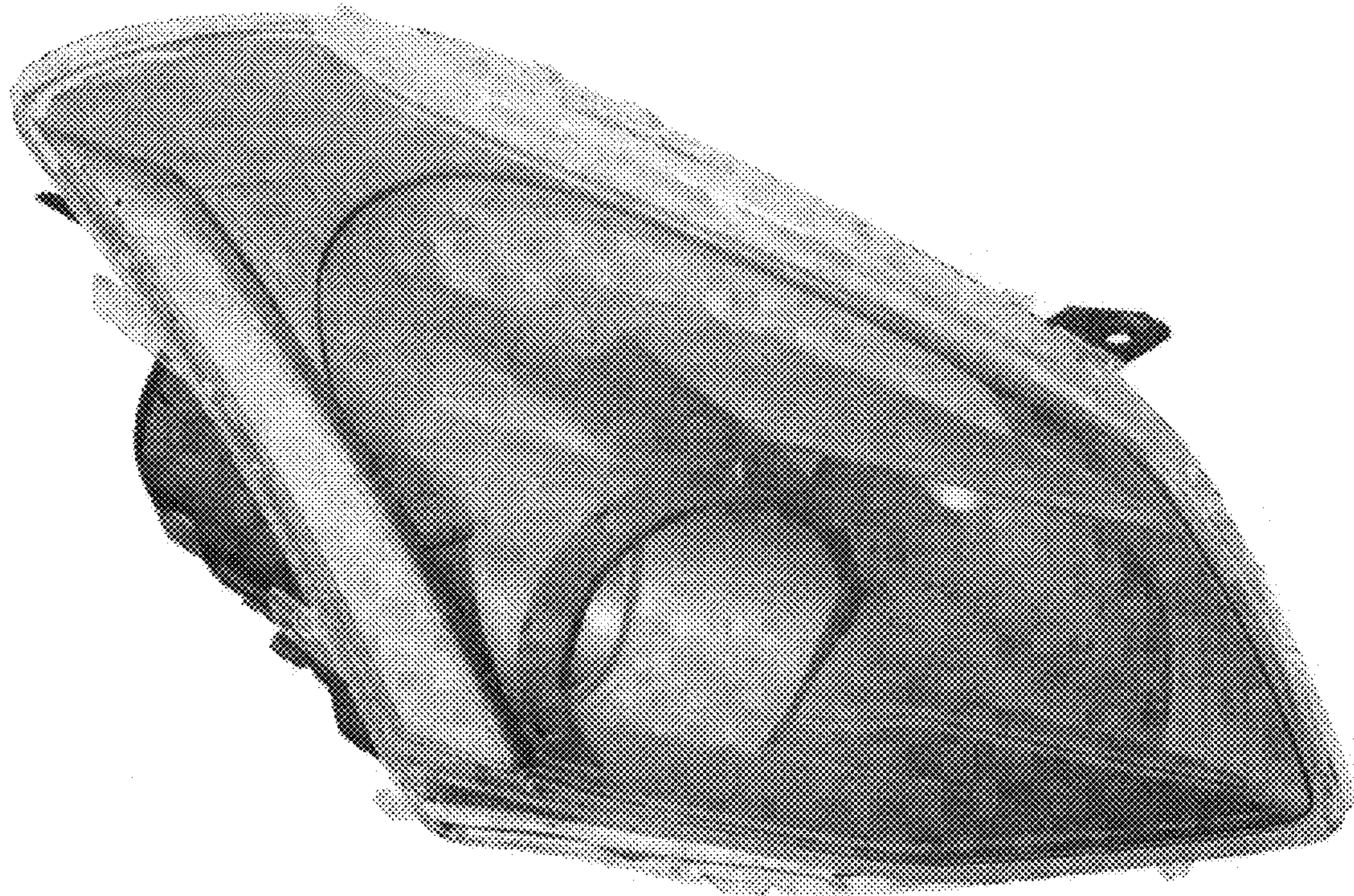


FIG.2

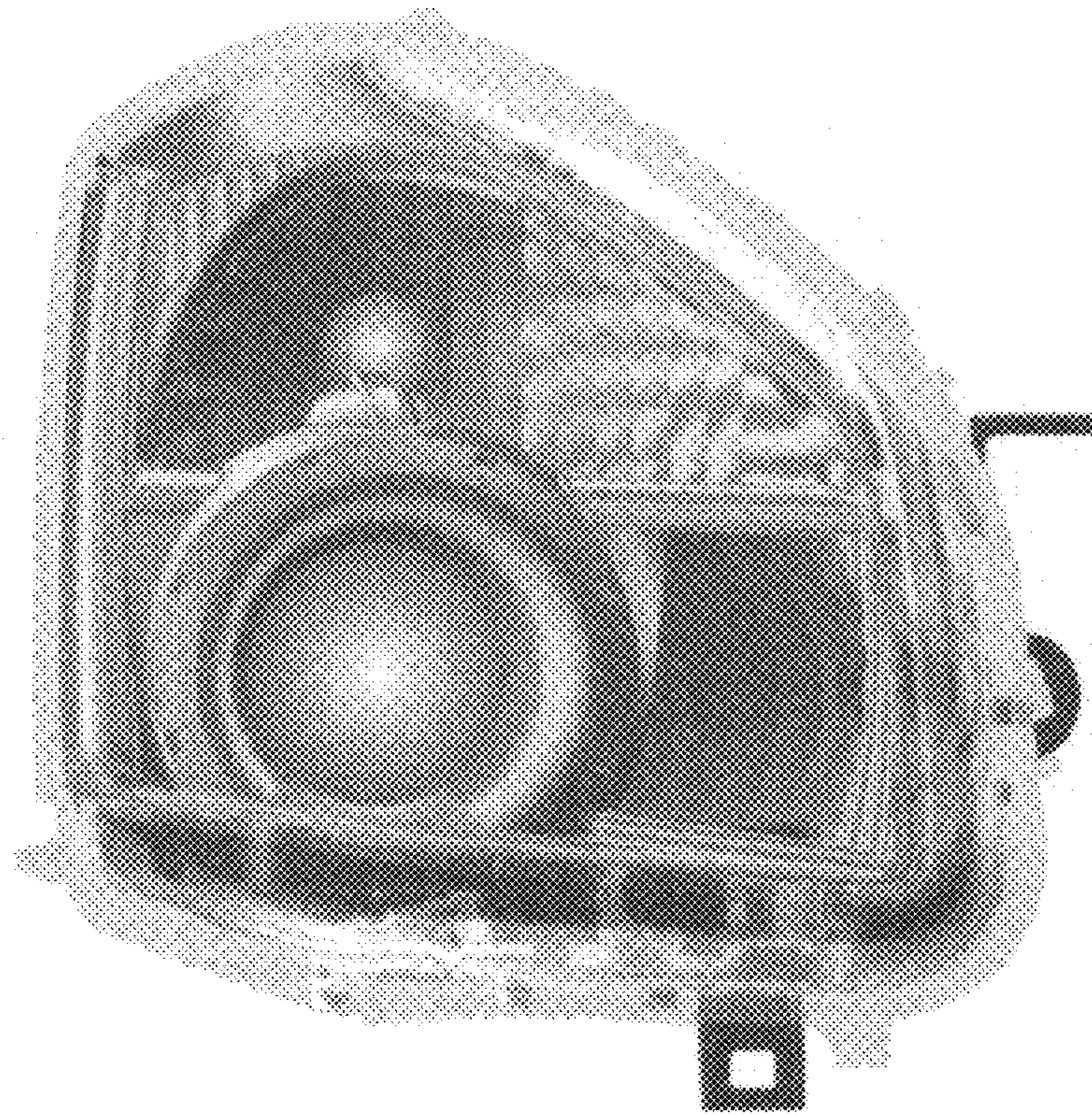


FIG.3

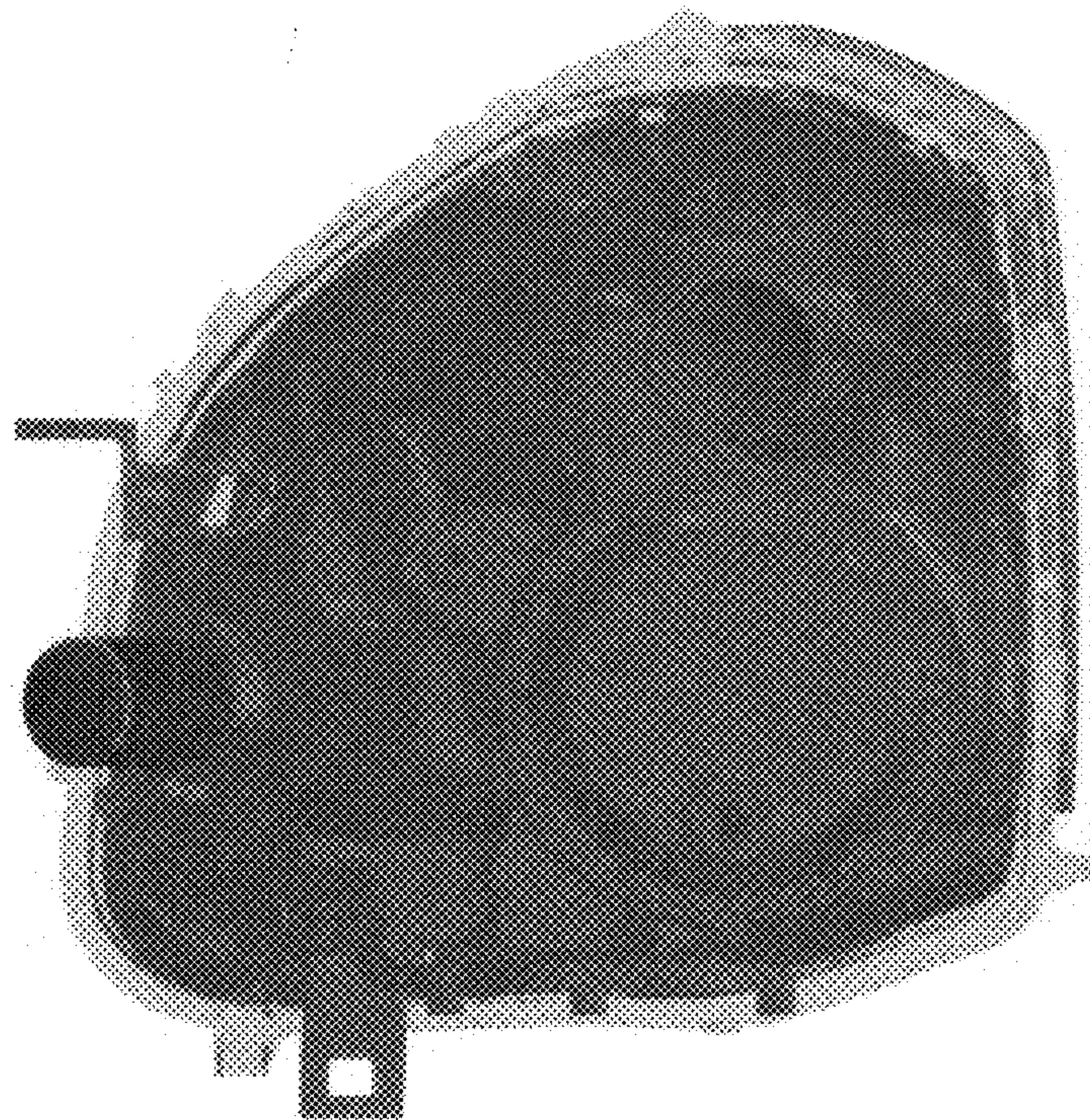


FIG.4

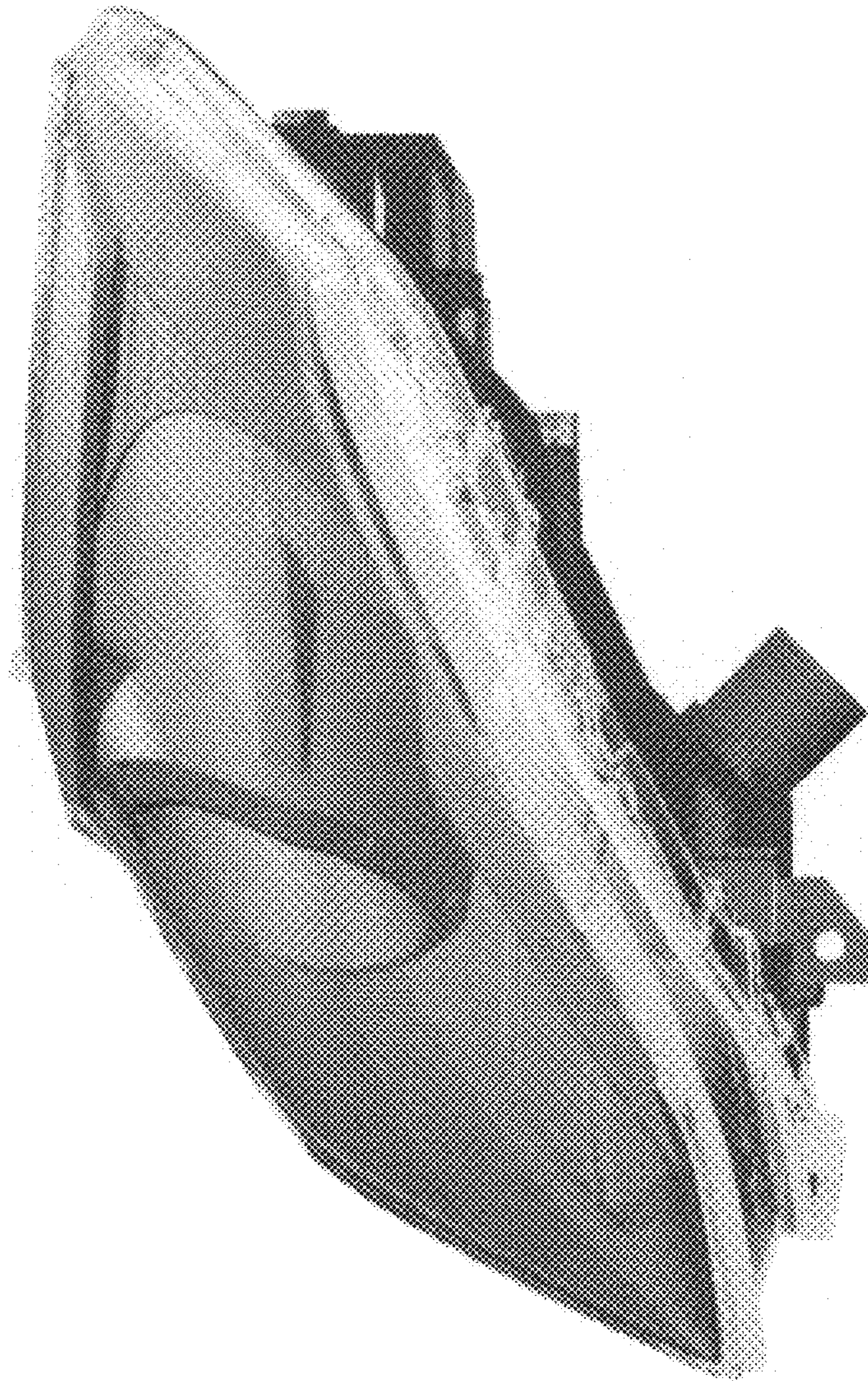


FIG.5

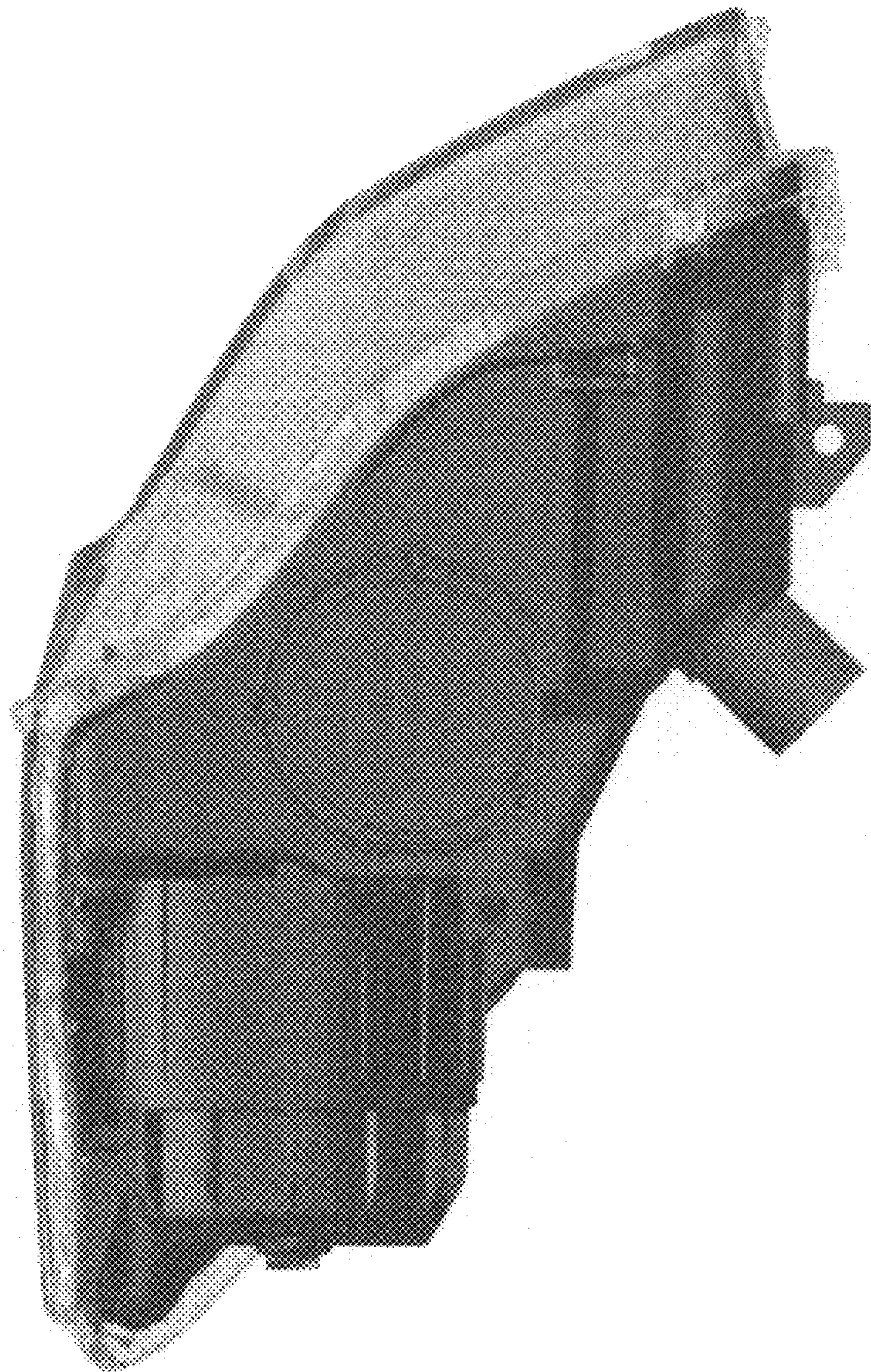


FIG.6

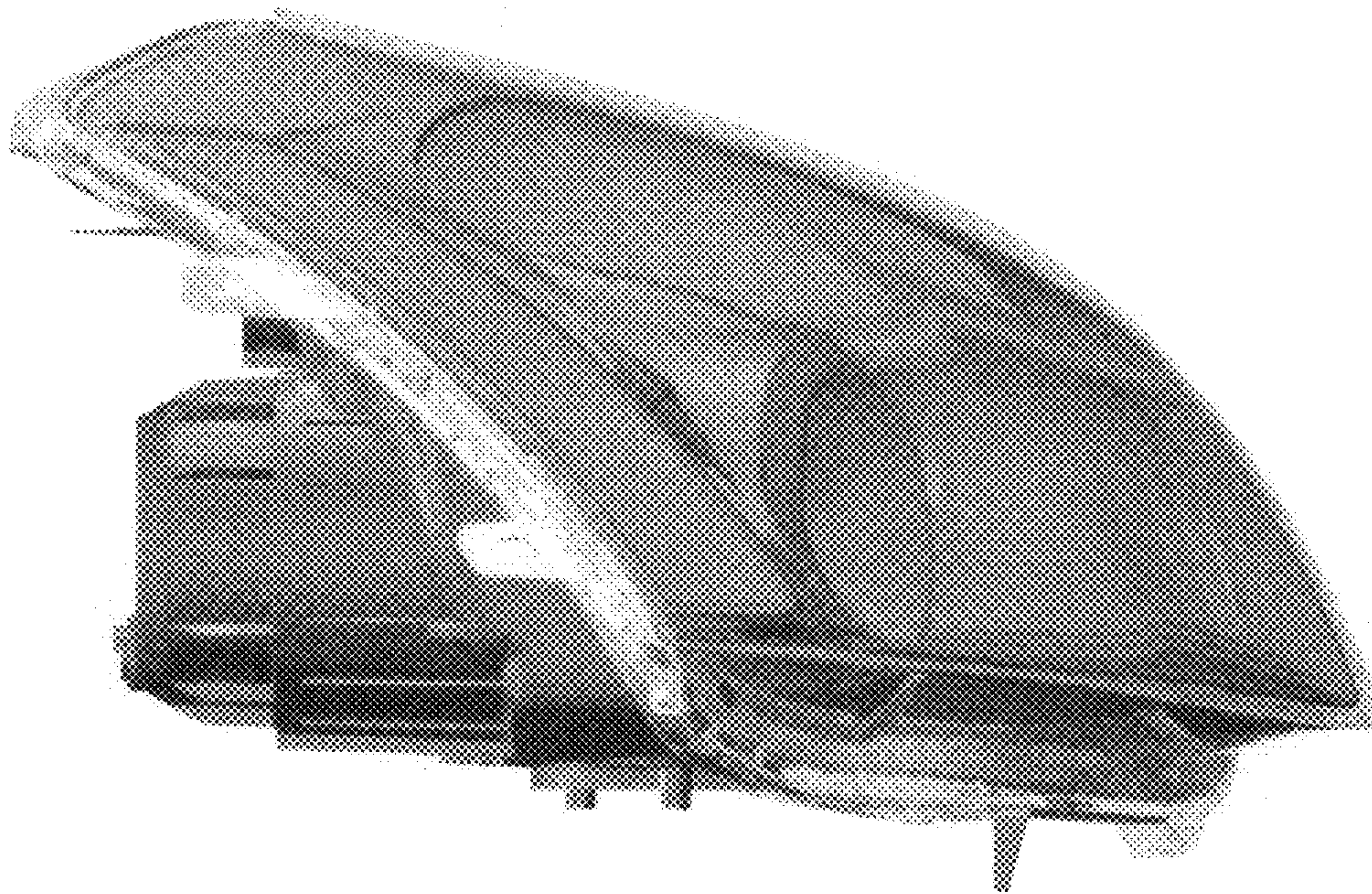


FIG. 7

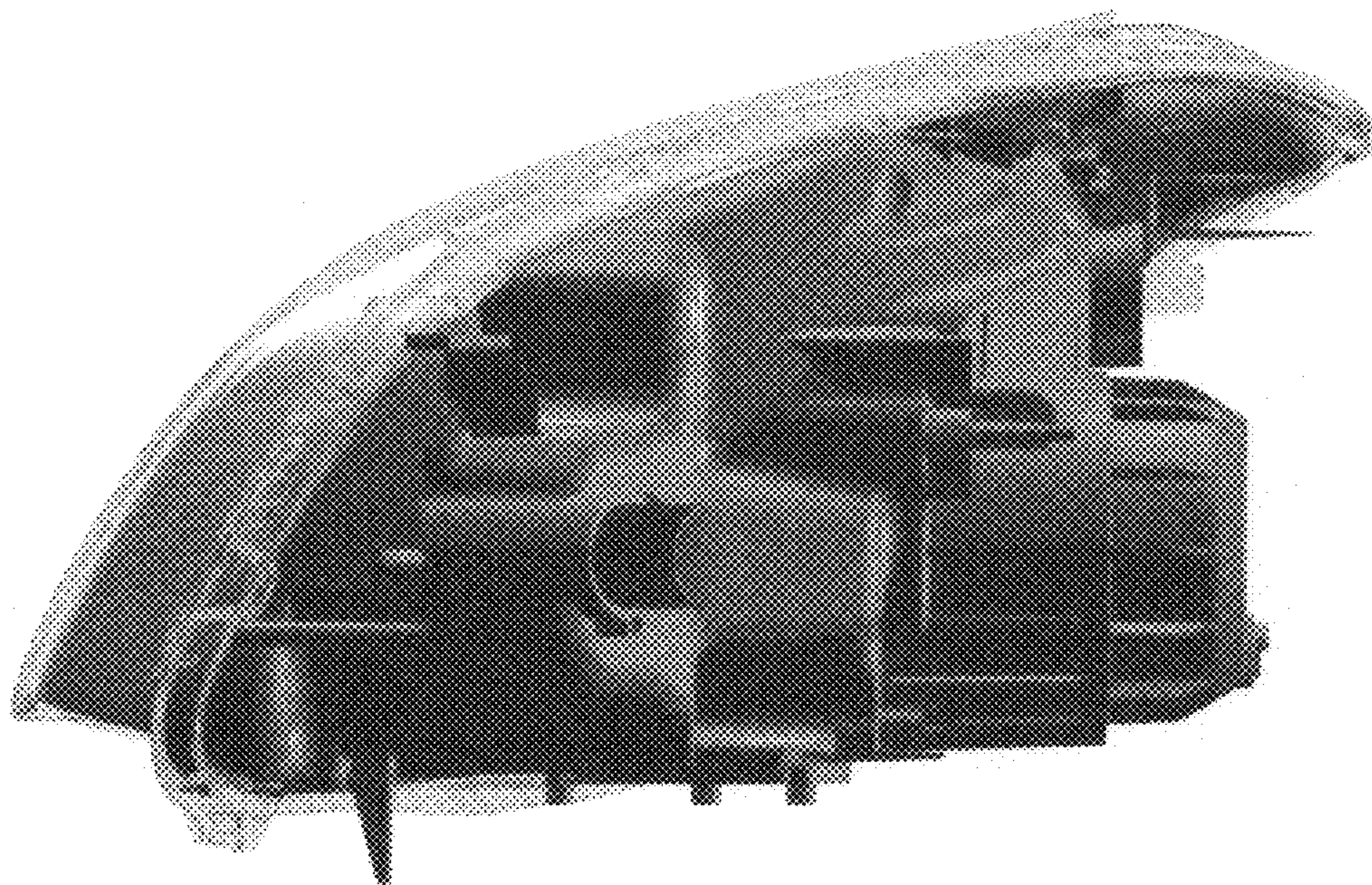


FIG.8

