

US00D566861S

(12) **United States Design Patent**  
**Takada et al.**

(10) **Patent No.:** **US D566,861 S**  
(45) **Date of Patent:** **\*\* Apr. 15, 2008**

(54) **LIGHT EMITTING DIODE LAMP**

(75) Inventors: **Tadashi Takada**, Tokyo (JP); **Hajime Ohno**, Tokyo (JP); **Kazuo Egawa**, Tokyo (JP)

(73) Assignee: **Toshiba Lighting & Technology Corporation**, Tokyo (JP)

(\*\*) Term: **14 Years**

(21) Appl. No.: **29/284,368**

(22) Filed: **Sep. 6, 2007**

(30) **Foreign Application Priority Data**

Mar. 12, 2007 (JP) ..... 2007-006352

(51) **LOC (8) Cl.** ..... **26-04**

(52) **U.S. Cl.** ..... **D26/1**

(58) **Field of Classification Search** ..... D26/1,  
D26/2, 24, 25, 37; 362/84, 157, 158, 183-208  
See application file for complete search history.

(56) **References Cited**

**U.S. PATENT DOCUMENTS**

D494,288 S \* 8/2004 Matsui et al. .... D26/2  
D550,868 S \* 9/2007 Egawa et al. .... D26/24

\* cited by examiner

*Primary Examiner*—Marcus A. Jackson  
(74) *Attorney, Agent, or Firm*—J.C. Patents

(57) **CLAIM**

The ornamental design for a light emitting diode lamp, as shown and described.

**DESCRIPTION**

FIG. 1 is a perspective view of a light emitting diode lamp showing the new design;

FIG. 2 is a front view thereof;

FIG. 3 is a rear view thereof;

FIG. 4 is a right side view thereof, the left side view being a mirror image of the right side view;

FIG. 5 is a top view thereof;

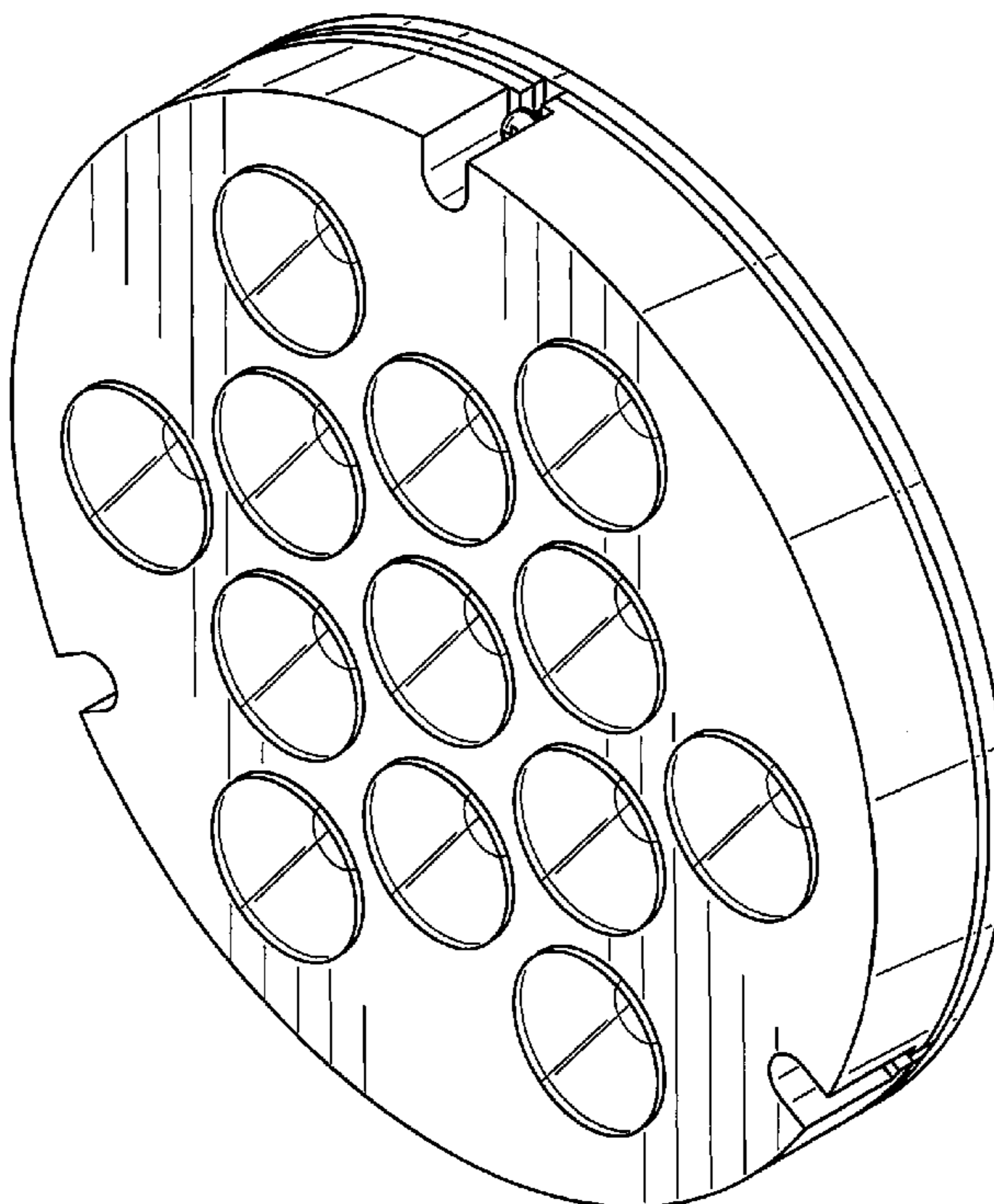
FIG. 6 is a bottom view thereof;

FIG. 7 is an end elevational view in section taken along line 7—7 in FIG. 2 with the internal parts omitted; and,

FIG. 8 is a reference view with names of the elements.

The claimed light emitting diode lamp includes a light emitting module and a frame with lens. The light emitting module comprises a substrate and thirteen light emitting diodes disposed in front of the substrate and a heat dissipation plate is disposed at the back of the light emitting module. The lenses and the frame are formed integrally and are disposed in front of the light emitting module. A group of double lines spreading over the cross-section as shown in FIG. 7 represents the transparent frame. Surfaces of the frame are processed through performing a stain furnished process thereon, and thus only the unprocessed surfaces of the thirteen round lenses are transparent.

**1 Claim, 7 Drawing Sheets**



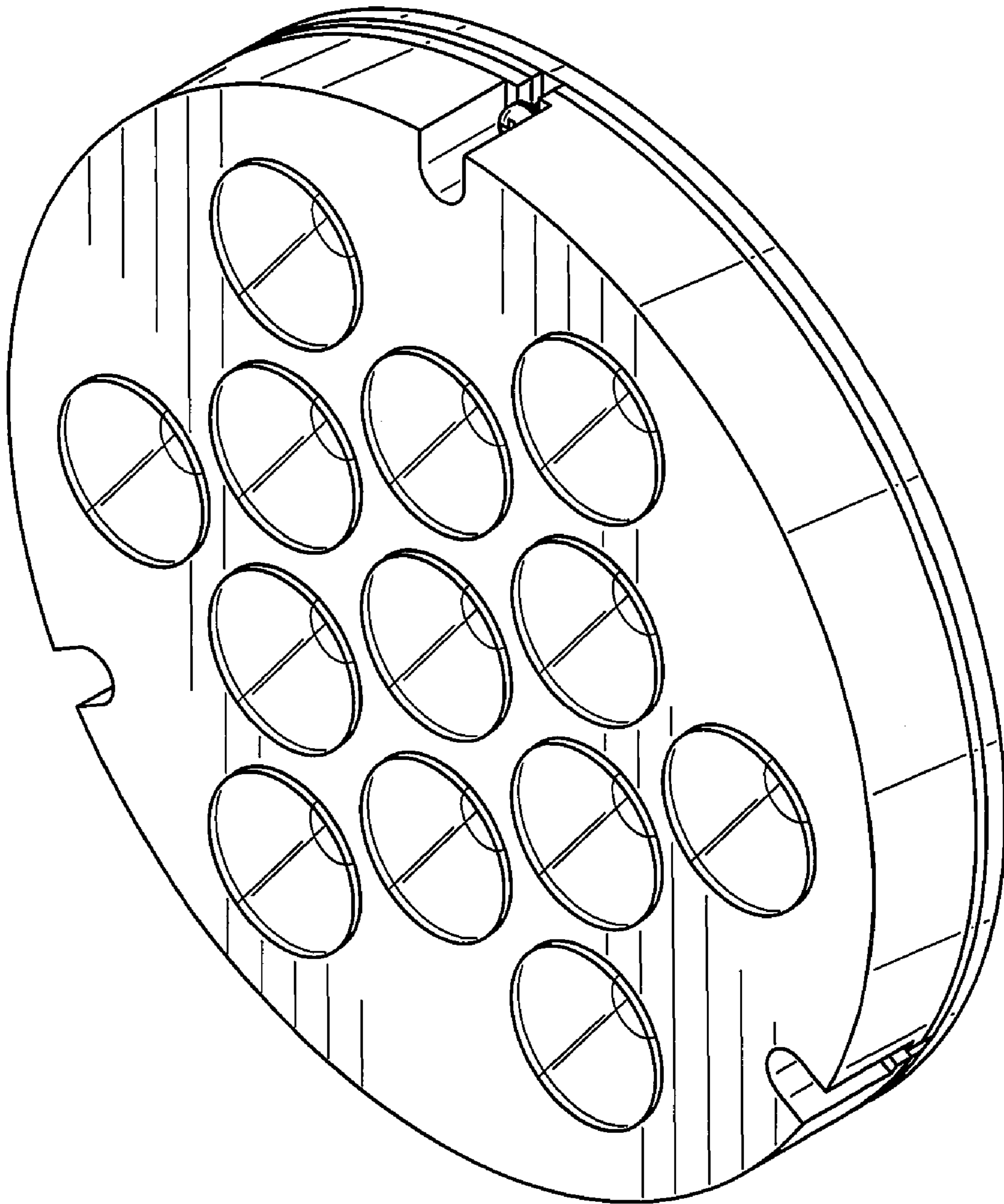


FIG. 1

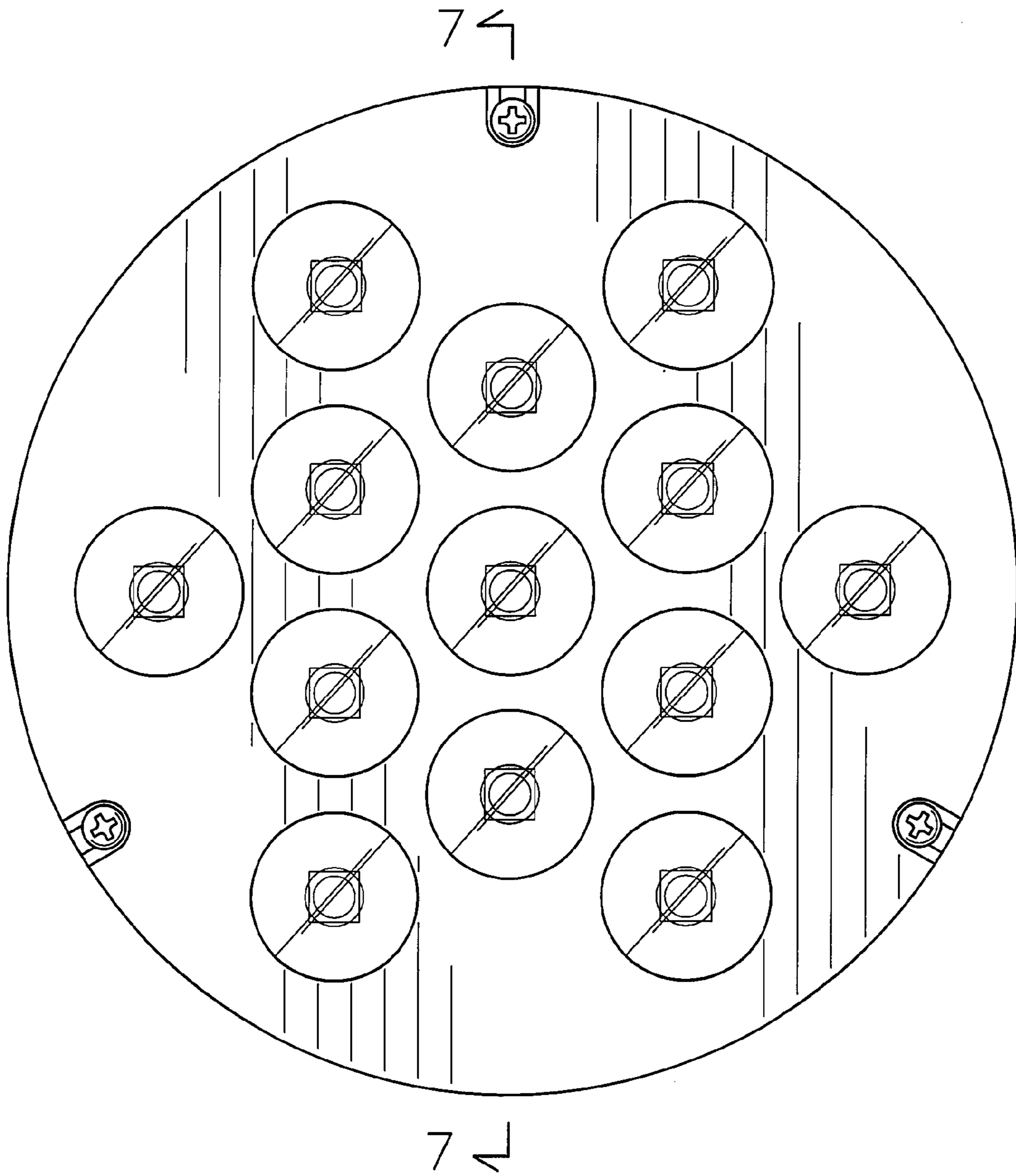


FIG. 2

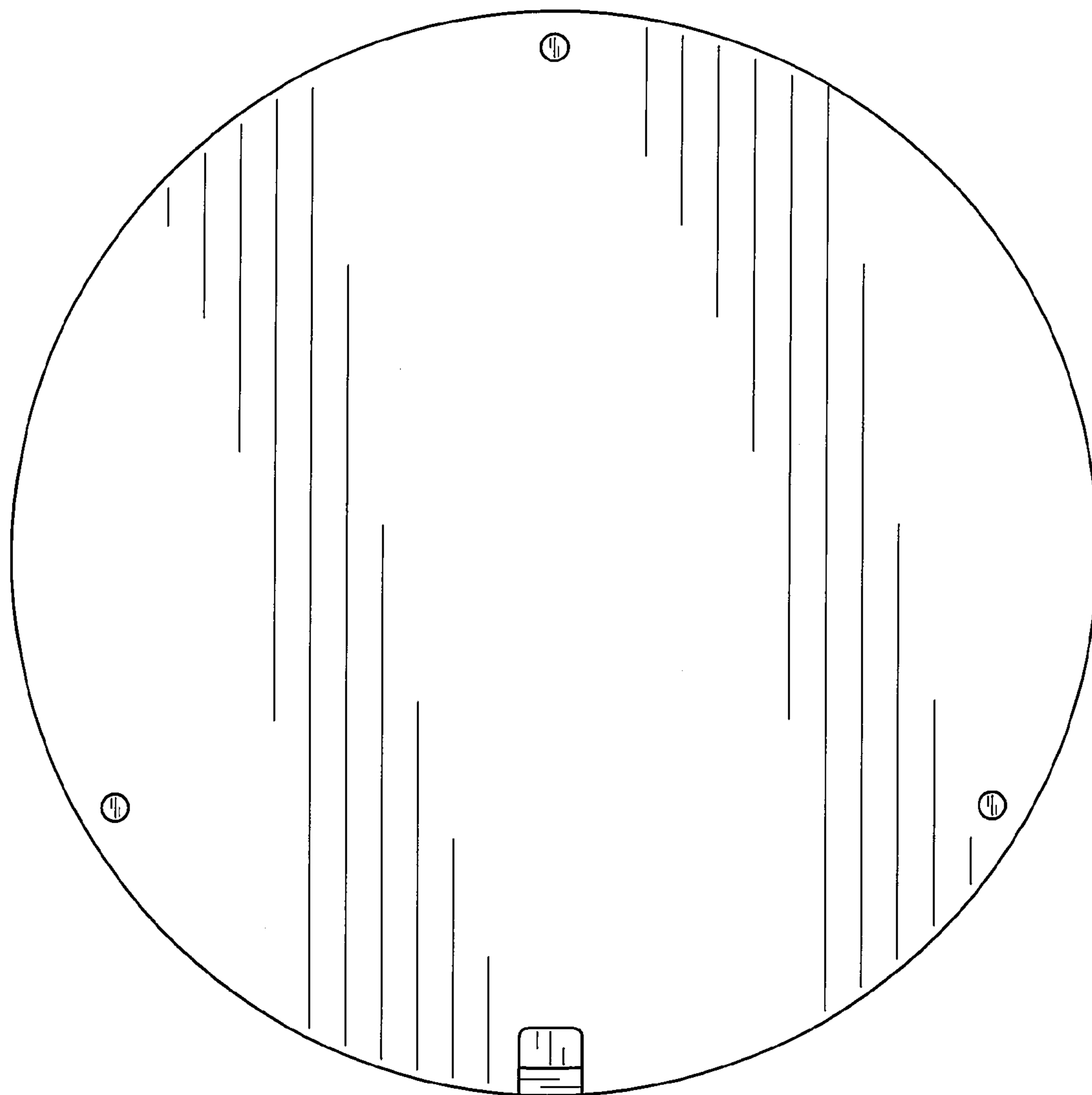


FIG. 3

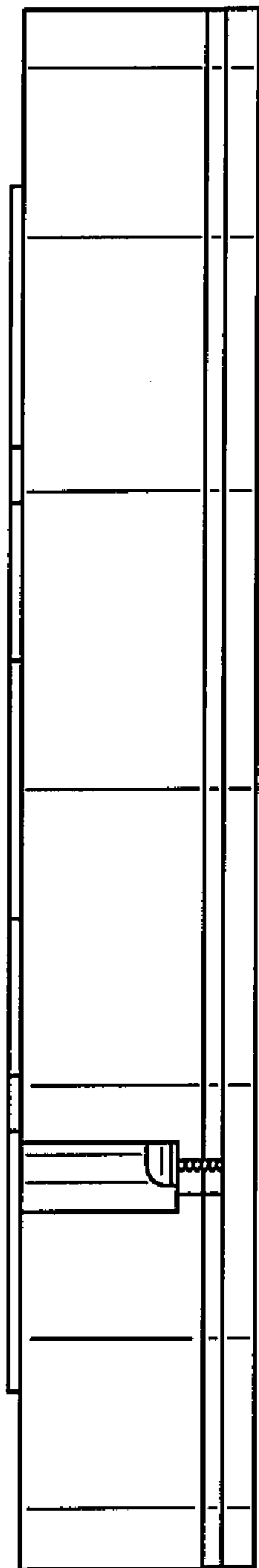


FIG. 4

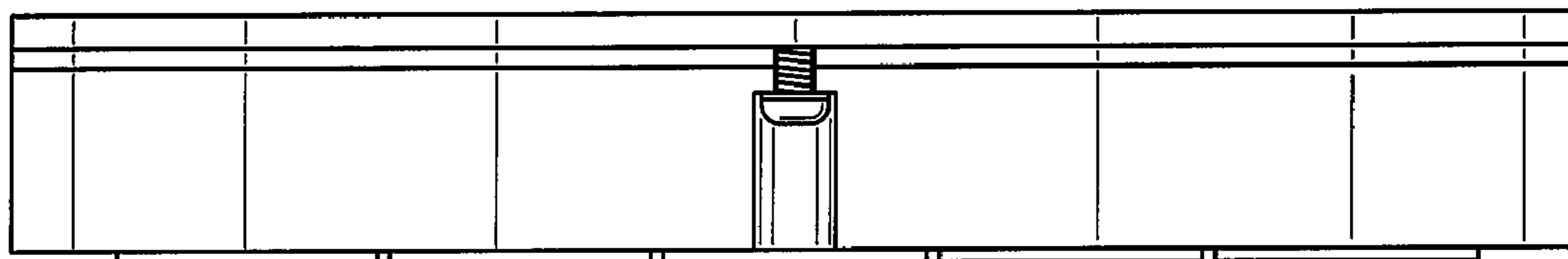


FIG. 5

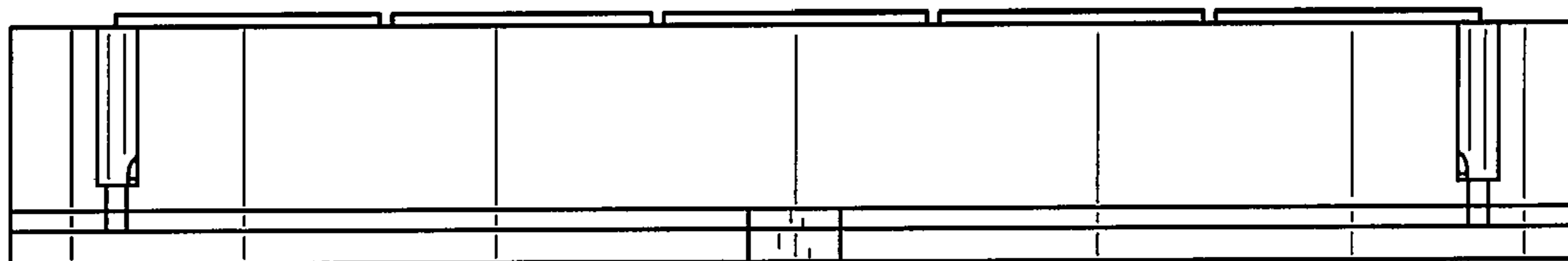


FIG. 6

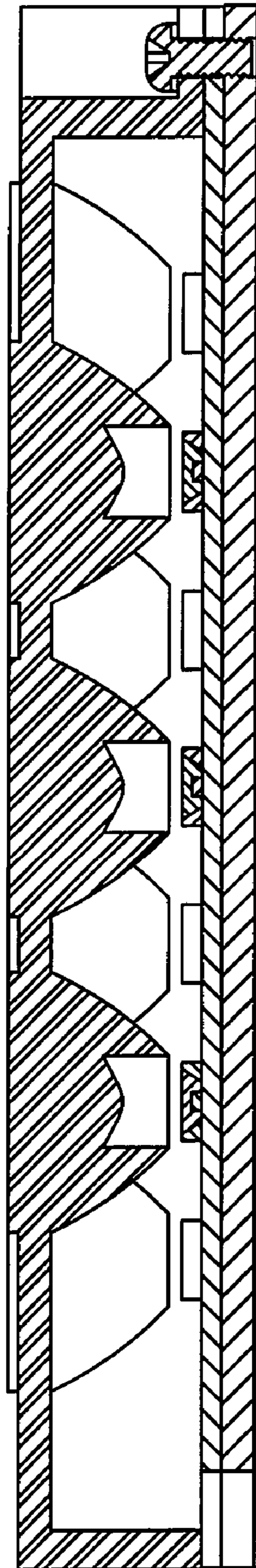


FIG. 7

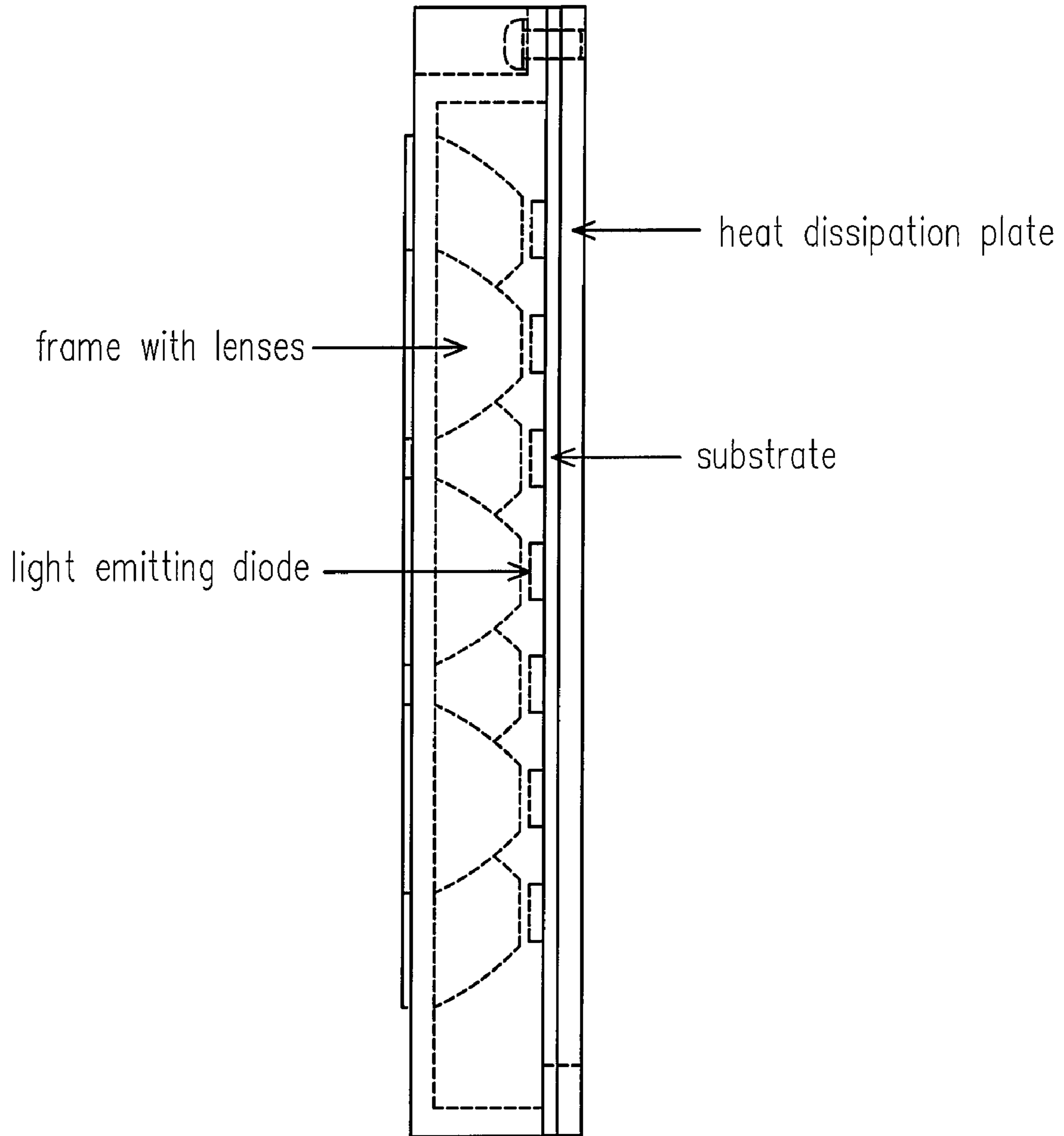


FIG. 8