

US00D566860S

(12) **United States Design Patent**
Carney

(10) **Patent No.:** **US D566,860 S**

(45) **Date of Patent:** **** Apr. 15, 2008**

(54) **SPINDLE**

D456,530 S * 4/2002 Erwin D25/126
D463,044 S * 9/2002 Erwin D25/126
6,662,519 B2 * 12/2003 Chung 52/720.2

(75) Inventor: **John Carney**, Warrington (GB)

(73) Assignee: **Cheshire Mouldings & Woodturnings Limited**, Warrington, Cheshire (GB)

* cited by examiner

(**) Term: **14 Years**

Primary Examiner—Doris Clark
(74) *Attorney, Agent, or Firm*—Thompson Coburn LLP;
Matthew J. Himich, Esq.

(21) Appl. No.: **29/250,119**

(22) Filed: **Nov. 2, 2006**

(57) **CLAIM**

(30) **Foreign Application Priority Data**

The ornamental design for a spindle, as shown and described.

May 2, 2006 (EM) 000524392

DESCRIPTION

(51) **LOC (8) Cl.** **25-01**

(52) **U.S. Cl.** **D25/126**

(58) **Field of Classification Search** D25/126;
52/720.2; 256/19, 65

FIG. 1 is a side view;
FIG. 2 is a top plan view;
FIG. 3 is a front view of the spindle having a smoothly, progressively, narrowing width to form a fluted mid region;
FIG. 4 is a first perspective view; and,
FIG. 5 is a second perspective view.

See application file for complete search history.

(56) **References Cited**

U.S. PATENT DOCUMENTS

D438,990 S * 3/2001 Alonso D25/126

1 Claim, 1 Drawing Sheet

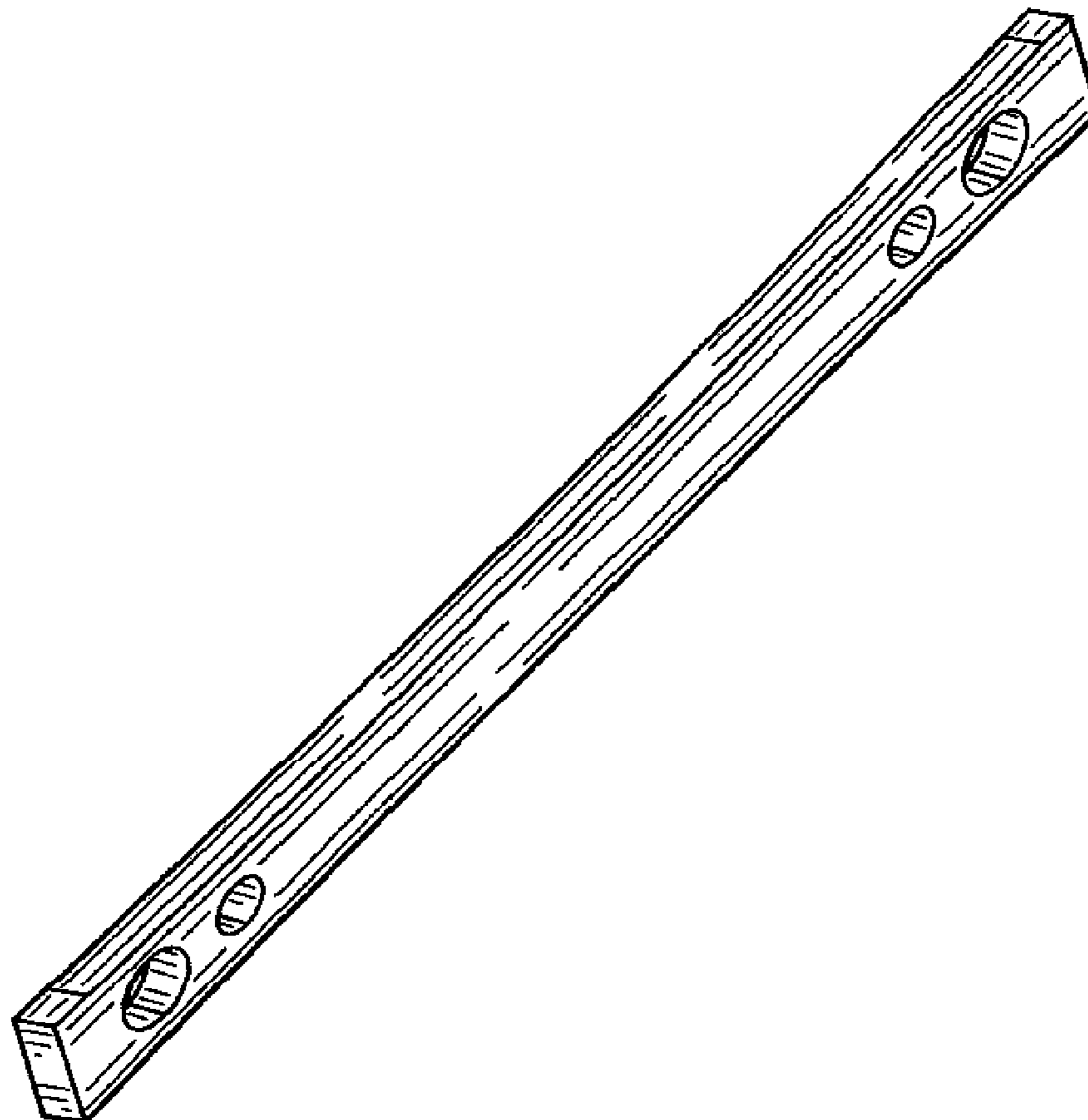




Fig. 2

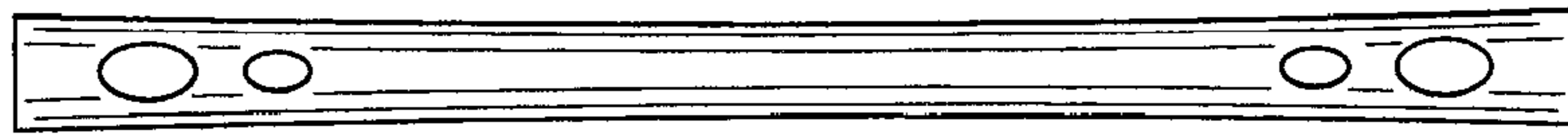


Fig. 3

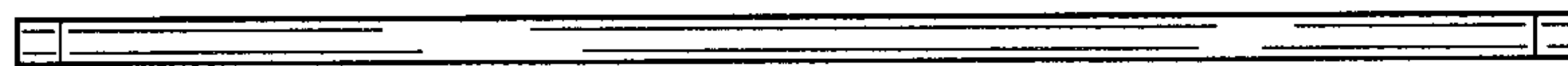


Fig. 1

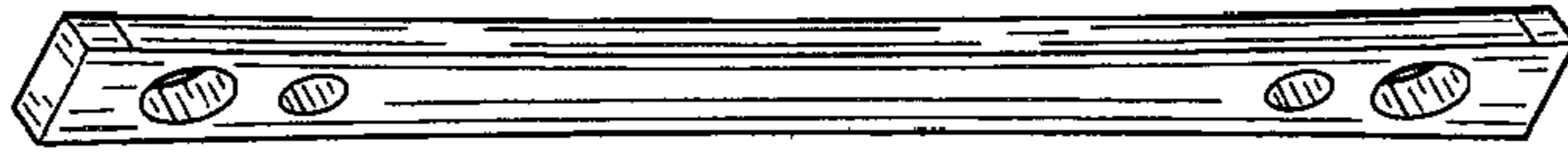


Fig. 4

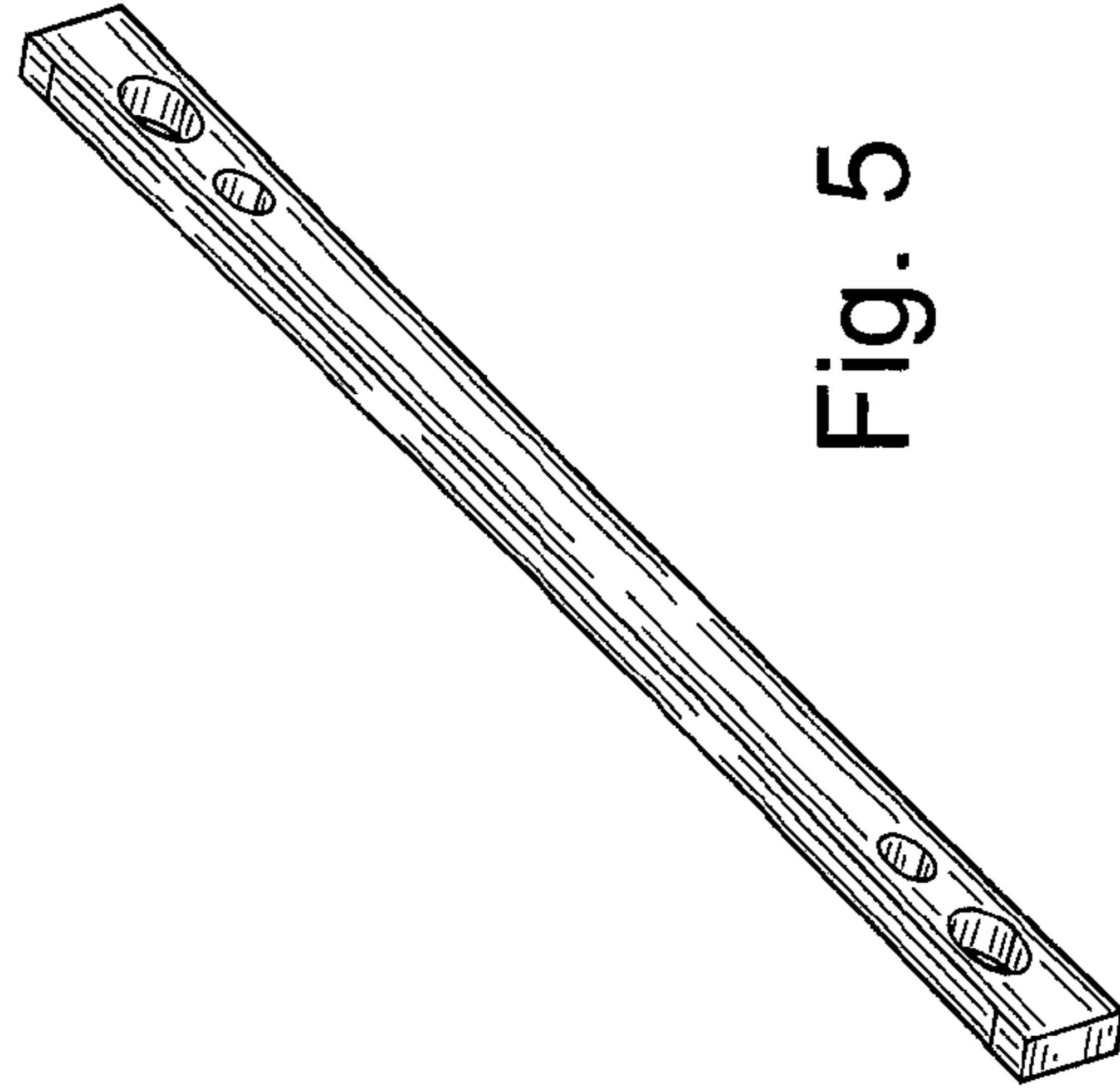


Fig. 5