



US00D566859S

(12) **United States Design Patent**
Fannan

(10) **Patent No.:** **US D566,859 S**

(45) **Date of Patent:** **** Apr. 15, 2008**

(54) **WINDOW COMPONENT EXTRUSION**

D473,325 S * 4/2003 Schrader D25/124
D500,560 S * 1/2005 Willman et al. D25/124
D502,998 S 3/2005 Wickland

(75) Inventor: **Michael R. Fannan**, Pecatonica, IL
(US)

(73) Assignee: **Mikron Industries, Inc.**, Kent, WA
(US)

(**) Term: **14 Years**

(21) Appl. No.: **29/271,494**

(22) Filed: **Jan. 19, 2007**

(51) **LOC (8) Cl.** **25-01**

(52) **U.S. Cl.** **D25/124**

(58) **Field of Classification Search** D25/119,
D25/124, 125; 52/204.1, 204.2, 204.5, 204.51,
52/656.5, 656.6, 213, 215, 204.71, 204.55,
52/204.593, 204.595, 730.3, 208; 49/DIG. 2,
49/504

See application file for complete search history.

(56) **References Cited**

U.S. PATENT DOCUMENTS

D353,470 S * 12/1994 Cole D25/124
D364,689 S 11/1995 Goss

OTHER PUBLICATIONS

Mikron Part No. 8703, conceived of by Timothy Wickland on Apr. 15, 2003 and first sold Nov. 5, 2003.

* cited by examiner

Primary Examiner—Doris Clark

(74) *Attorney, Agent, or Firm*—Black Lowe & Graham
PLLC

(57) **CLAIM**

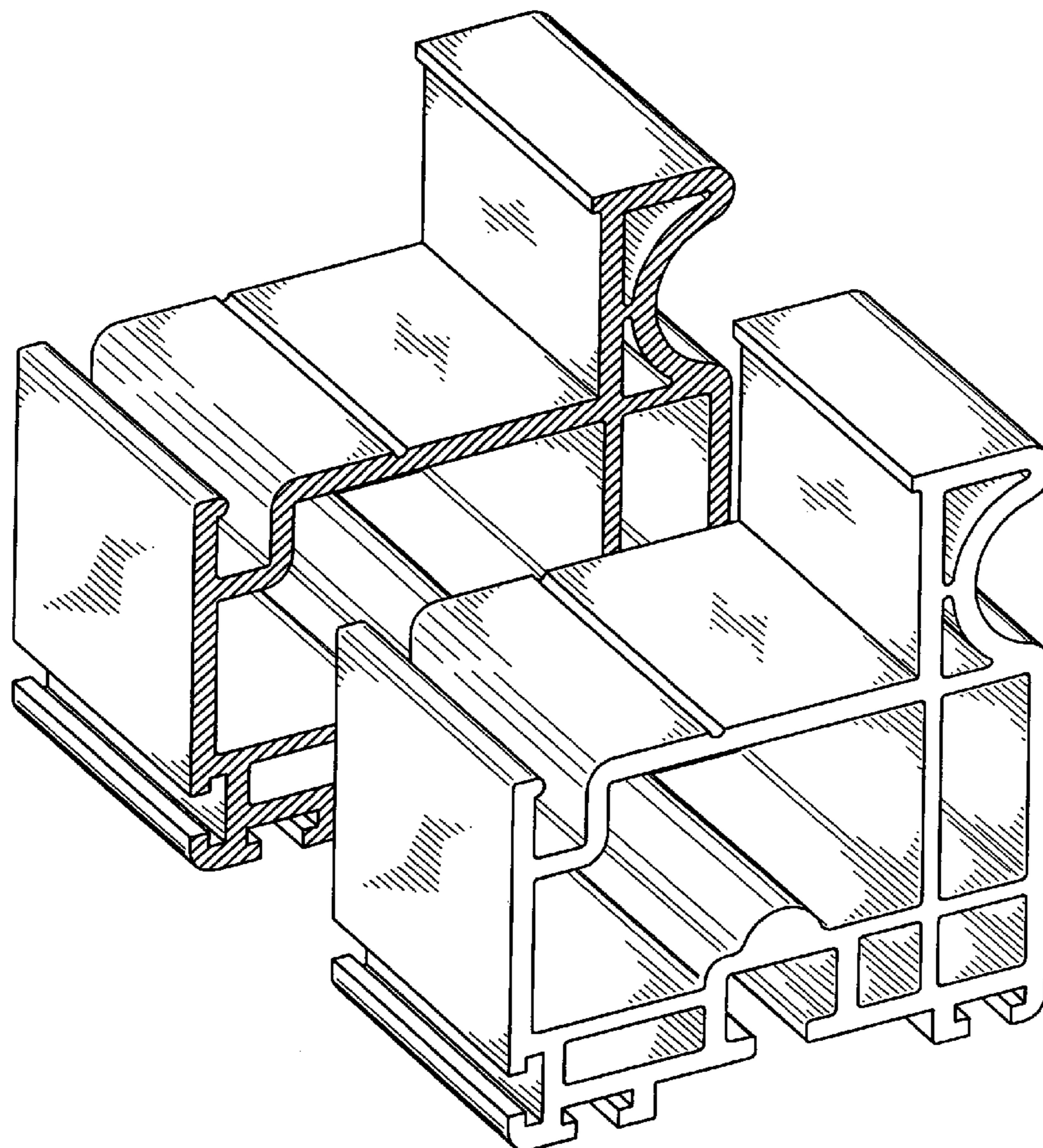
The ornamental design for a window component extrusion,
as shown and described.

DESCRIPTION

FIG. 1 is a top left perspective view of the window component extrusion which is broken in the center indicating indefinite length; and,

FIG. 2 is a bottom right perspective view of the window component extrusion shown in FIG. 1.

1 Claim, 2 Drawing Sheets



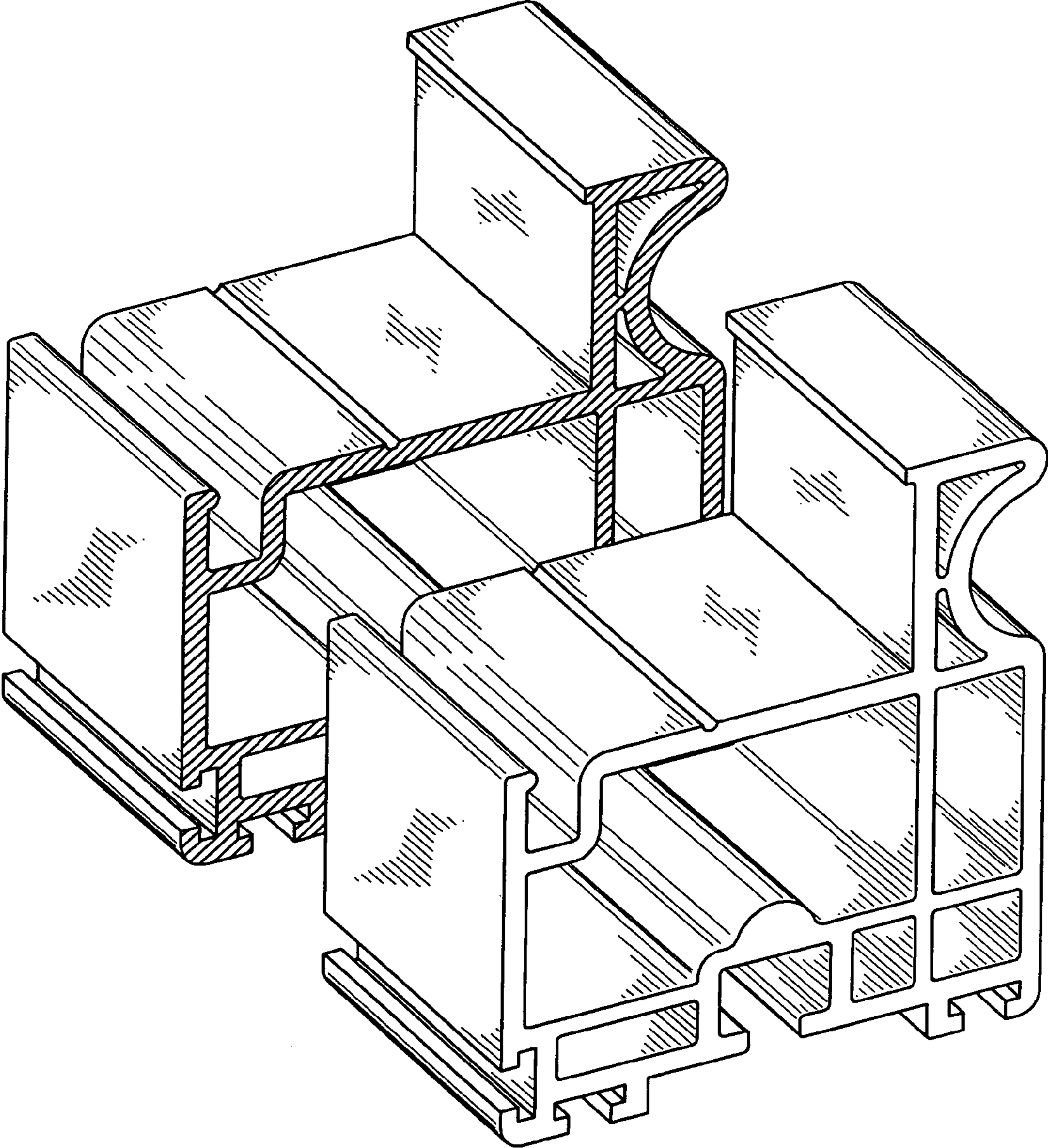


FIG.1

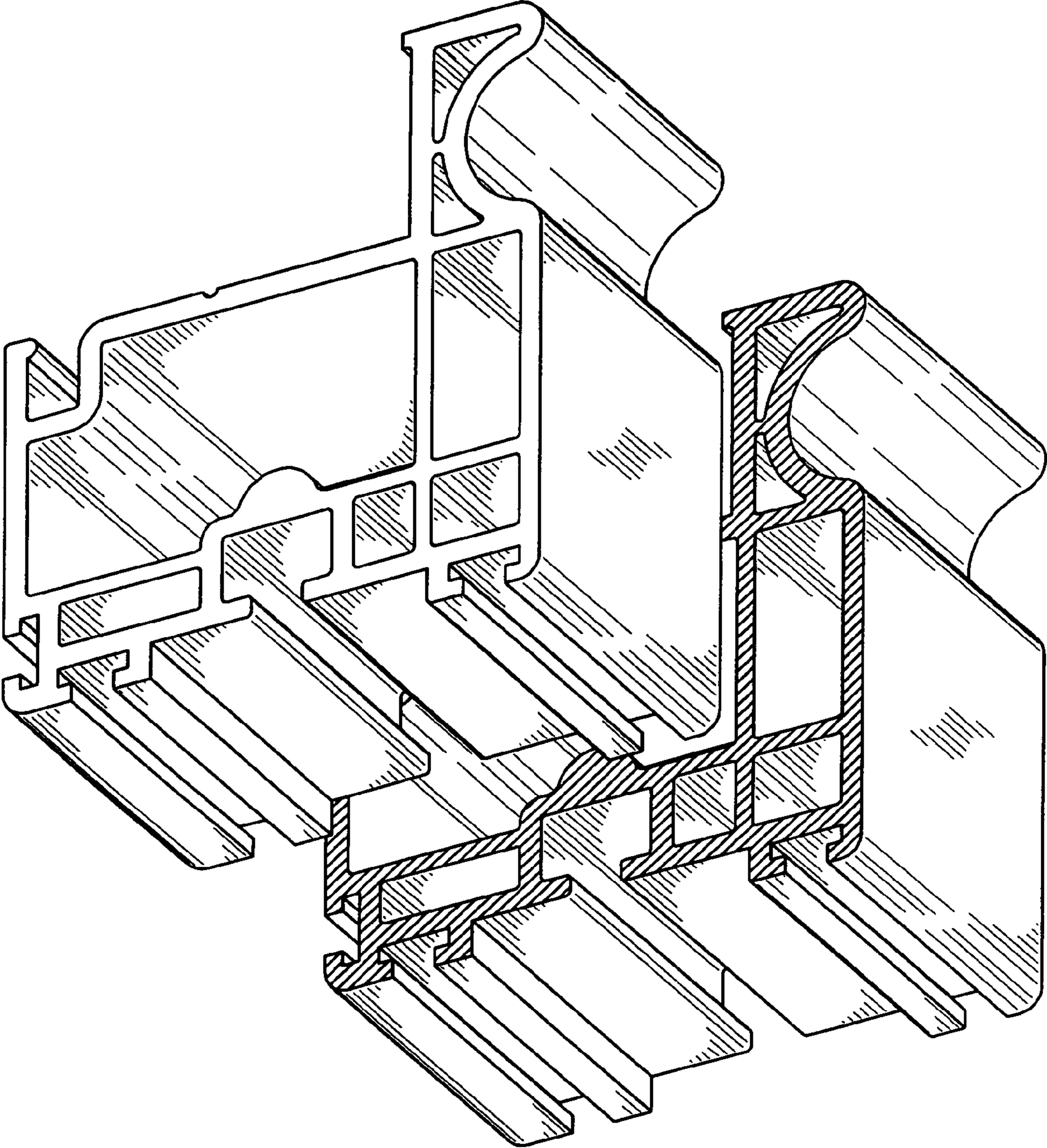


FIG.2